

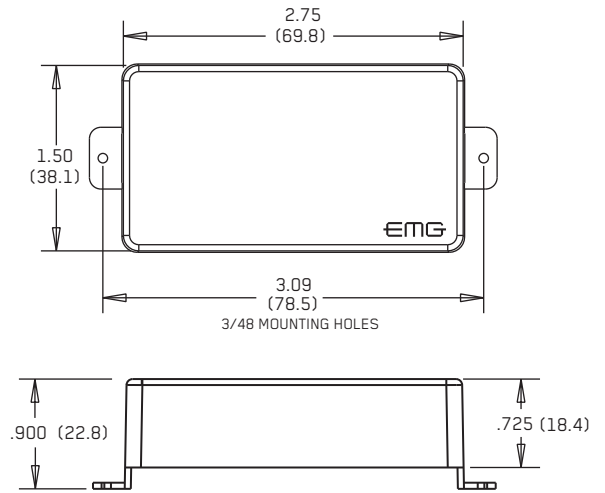


PO BOX 4394
SANTA ROSA, CA
95402 USA

P (707) 525-9941
F (707) 575-7046
EMGPICKUPS.COM

INSTALLATION INFORMATION

EMG MODELS: **EMG-ZW SET** (EMG-81 BRIDGE/ EMG-85 NECK)



SPECIFICATIONS:

MODEL:

	81	85
Logo Color*	Silver	Gold
Magnet Type **	C/S	A
Resonant Frequency (KHz)	1.63	1.87
Output Voltage (String)	3.00	3.10
Output Voltage (Strum)	4.50	4.50
Output Noise (60 Hz)	-100	-101
Output Impedance (Kohm)	10	10
Current @9V (Microamps) (System)	160	
Battery Life (Hours)	1500	
Maximum Supply (Volts DC)	27	

*Note: Logo Colors are not distinguished on Chrome and Gold Models

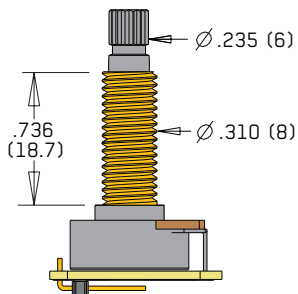
**Note: Magnet Type: A (Alnico) C/S (Ceramic/Steel)

SPECIAL NOTE:

The ZW System comes with Long Shaft Volume and Tone Controls. If you are installing the ZW System in a Gibson Les Paul manufactured before 1975 or another make of guitar you may want Short Shaft Volume and Tone Controls, you can purchase these controls by going to emgpickups.com and clicking on the Store button. You may also call the EMG sales desk at (800) 821-1446 to place an order.

INCLUDED WITH THE ZW SET:

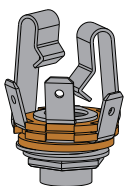
2 VOLUME CONTROLS (25K)
2 TONE CONTROLS (25K)



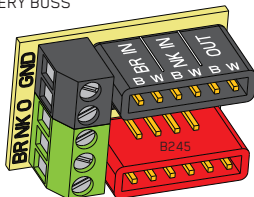
ADJUSTMENT
SCREWS & SPRINGS
(2 PAIR)



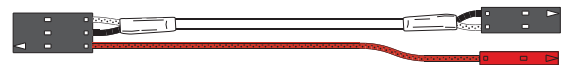
STEREO OUTPUT
JACK



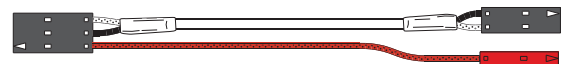
2 PICKUP IN/ OUT
BATTERY BUSS



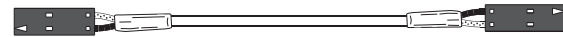
PICKUP CABLE 15" (38cm)



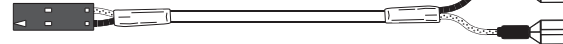
PICKUP CABLE 15" (38cm)



4 CONNECT CABLES 5.5" (14cm)



OUTPUT CABLE 6" (15cm)



BATTERY CABLE 7" (18cm)



WARRANTY

All EMG Pickups and accessories are warranted for a period of two years. This warranty does not cover failure due to improper installation, abuse or damage. If upon examination the pickup is determined to be defective, a replacement will be made. Warranty replacement products are covered by this same warranty. This warranty covers only those pickups and accessories sold by authorized EMG Dealers. This warranty is not transferable.

Installation Instructions:

EMG Models: EMG-ZW Set (EMG-81 / EMG-85)

General Notes:

Every attempt has been made to make this a solderless installation. There are some instances where this is not possible;

- 1) If your instrument uses the long panel output jack and you had passive pickups you will need a new stereo output jack, the Switchcraft 152B is recommended. Soldering to the new jack will be required, see diagram #6.
- 2) Some instruments may already have a battery holder installed and in that case see the diagram at the bottom of page 3.
- 3) Instruments with two pickups may need soldering to the selection switch in some installations.

Installation (Two Pickup Guitars with Selection switch):

Guitars with two pickups and a selection switch will use the EMG B245 Pickup Buss as shown in diagram #2.

The Pickup Buss is a convenient way to wire your guitar without soldering.

There is a separate sheet attached to these instructions that describes the B245 Pickup Buss in detail.

In all installations it's best to find a place to mount the Pickup Buss in the control cavity before starting. Then, after the cables are routed use the velcro to mount it securely.

****Tips and Tricks**** Start your installation by:

- 1) Determine which type output jack your instrument has.
A Stereo 12B type is Included, but if you have a long panel jack a SwitchCraft 152B Long Panel Jack will be required.
- 2) Remove the strings, remove any existing Pickups and controls (remember the order and function of each control)
- 3) Determine a good spot for the Pickup Buss and make sure the cable or wires from the selection switch will reach the Pickup Buss,
- 4) Install the EMG Volume and Tone Controls and tighten them in.
- 5) Then install the pickups keeping any excess cable under the pickup rather than in the control cavity.
- 6) IMPORTANT: EMG Active pickups do not require a string ground wire! DO NOT Reconnect the string ground, it is unnecessary.

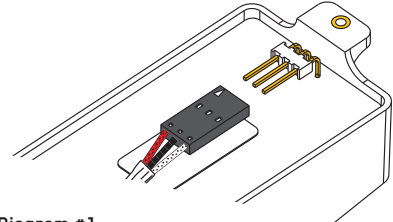


Diagram #1

Insert the plug onto the 3 pin header of the pickup as shown above.

Note the orientation arrow.

2 Pickups / Toggle Select Switch / Master Volume and Tone

Refer to Diagrams #1, #2, and #3

- 1) Install the Pickups and route the Pickup cables to the control cavity.
If the cables are too long, wind up the excess and keep it under the pickup.
- 2) Mount the Volume and Tone controls into the body.
Plug both Pickup cables onto the B245 Pickup Buss (BLACK Shroud) as shown, Refer to diagram #2
Bridge Pickup to position 1
Neck Pickup to position 2.
- 3) Plug a coax cable from the Pickup Buss (position 3) to the Master Volume control as shown in diagram #3.
- 4) Plug a coax cable from the Master Volume to the Master Tone as shown.
- 5) Strip the insulation from the switch wires and Insert them into the GREEN Terminal Block and tighten the screws with a small screwdriver.
The Bridge pickup goes to the BR Terminal
The Neck pickup goes to the NK Terminal
The Output of the switch goes to the O Terminal
If there is a ground wire coming from the switch, insert it into one of the black terminals on the terminal block.
- 6) Plug the output cable onto the Master Tone control and connect the output wires to the output jack by pushing the connectors on as shown.
WHITE wire onto the TIP (T) contact,
BLACK wire onto the SLEEVE (S) contact
BLACK Battery Negative wire onto the RING (R) contact.

- 7) Plug the RED Wires of the pickups onto the V+ Buss (RED Shroud) along with the RED of the battery clip.

Extra pins on the V+ Buss are for EMG Accessories.

- 8) Put the battery in the insulating foam piece provided and place it securely in the control cavity.

We suggest that you plug in the instrument and test it before closing the control cavity.

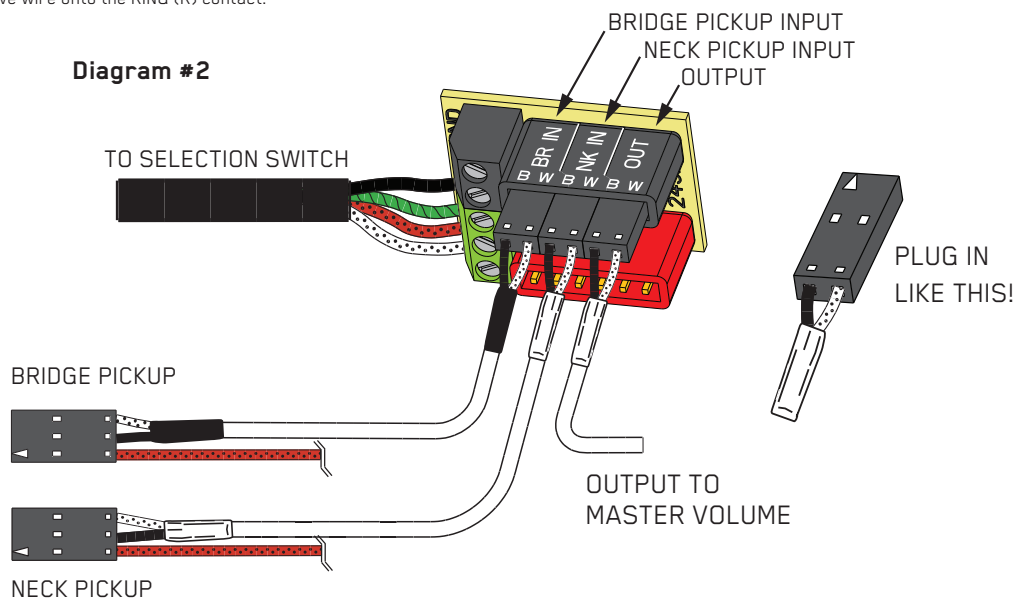


Diagram #3

2 Pickups
Toggle Style Select Switch
Master Volume & Master Tone

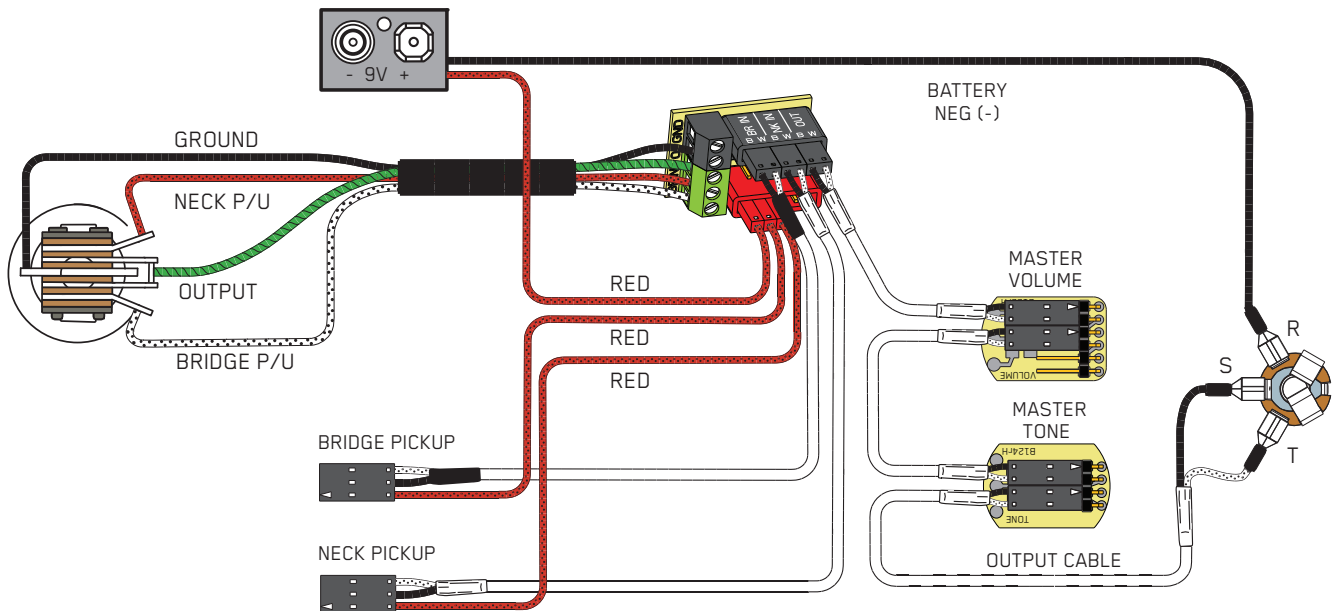
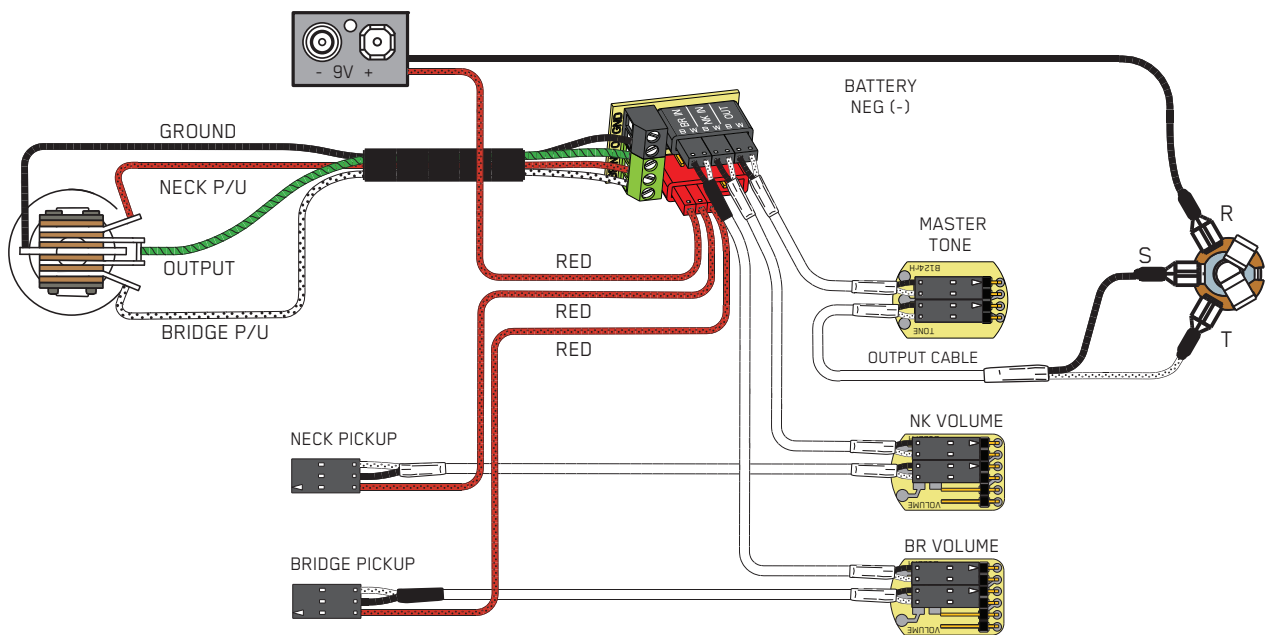


Diagram #4

2 Pickups
Toggle Style Switch
Volume each Pickup (Volumes are independent)
Master Tone



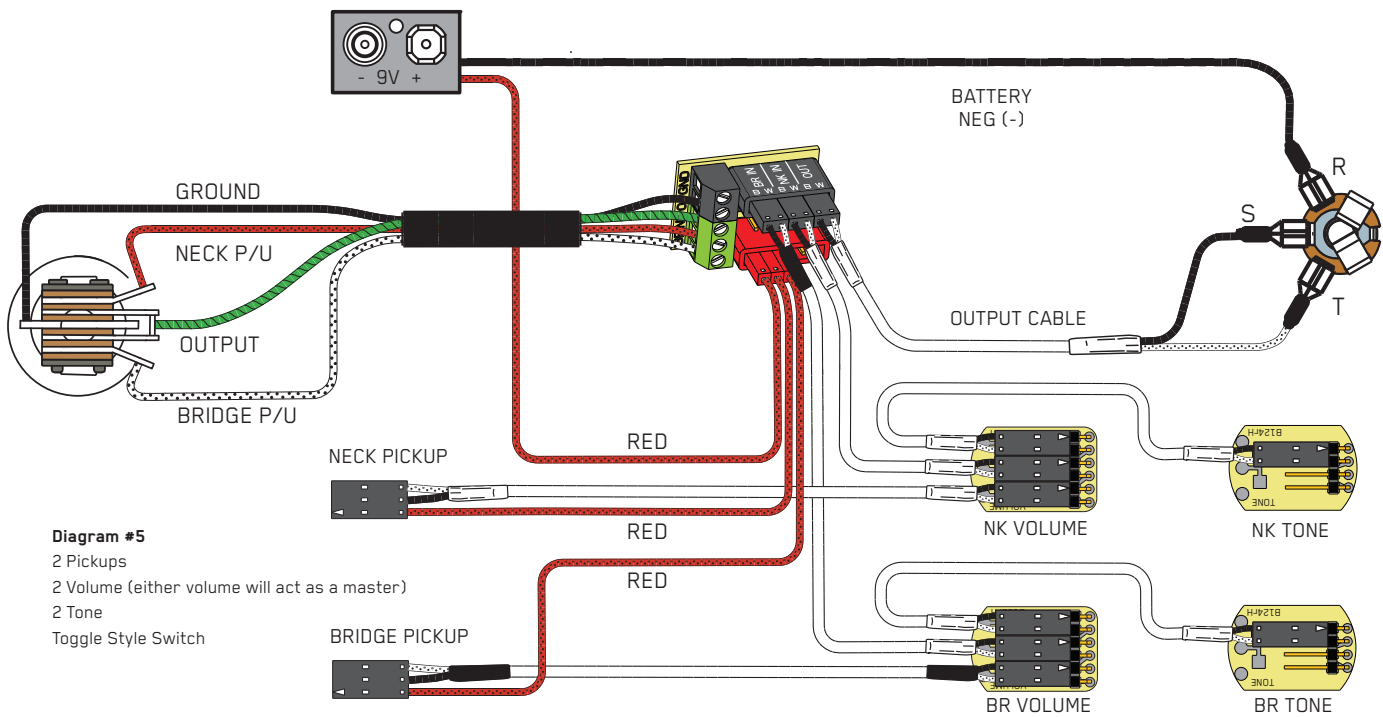


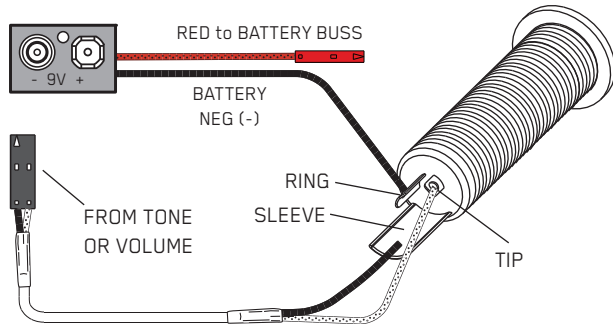
Diagram #5

- 2 Pickups
- 2 Volume (either volume will act as a master)
- 2 Tone
- Toggle Style Switch

Soldering to the 152B Panel Jack:

If your instrument has a long Panel Jack like the one below you will have to solder the output cable as shown.
 Ground (Black) to the sleeve
 Signal (White) to the Tip
 Battery Negative (Black) to the Ring

Diagram #6



If the instrument has a Battery Holder:

If your instrument has a 9 or 18 Volt battery holder you can still use the EMG Connectors to supply power to the pickups. Simply cut and strip the wires from the battery clip provided. Twist the wires together and use the shrink tubing included to cover the connections. Soldering the wires is the preferred.

Cover these connections with the shrink tubing provided.

