

INTRODUCTION

Thank you for your purchase of the PM52 Headphone Tap. The PM52 is for connecting headphones to a speaker line. The 1/4" Mono/stereo loop jacks are for cascading more boxes in series. There are two headphone jacks and volume control. The Headphone Tap uses the speaker line signal for power, therefore requires no batteries or external power.

PLEASE NOTE: THE PM52 REQUIRES A MINIMUM OF A 10 WATT AMPLIFIER TO FUNCTION PROPERLY.

DESCRIPTION

MONO/STEREO Switch: Selects between a Mono or Stereo input mode.

POWER AMP LOOP: Two paralleled 1/4" stereo TRS jacks, one for receiving the input signal and the other for connecting to a speaker or other input device.

VOLUME: Controls the level of the signal to the headphones.

HEADPHONES: Two 1/4" stereo TRS jacks for connection to stereo headphones.



WARNING

USING THIS SYSTEM AT EXCESSIVE VOLUMES CAN CAUSE PERMANENT HEARING DAMAGE.

USE AS LOW A VOLUME AS POSSIBLE

In order to use this system safely, avoid prolonged listening at excessive sound pressure levels. Please use the following guidelines established by the Occupational Safety Health Administration (OSHA) on maximum time exposure to sound pressure levels before hearing damage occurs.



90 dB SPL at 8 hours

95 dB SPL at 4 hours

100 dB SPL at 2 hours

105 dB SPL at 1 hour

110 dB SPL at 1/2 hour

115 dB SPL at 15 minutes

120 dB SPL - **avoid or damage may occur**

It is difficult to measure the exact Sound Pressure Levels (SPL) present at the eardrum in live applications. In addition to the volume setting on this Personal Monitor unit, the SPL in the ear is affected by ambient sound from floor wedges or other devices. The isolation provided by the fit of quality earphones is also an important factor in determining the SPL in the ear.

Follow these guidelines in the use of this product to protect your ears from damage:

1. Turn up the volume only to the point where hearing is comfortable.
2. Ringing in the ears may indicate that the levels are too high. Lower the volume level.
3. Have your ears checked by an audiologist on a regular basis. If you experience wax buildup in your ears, stop using the system until an audiologist has examined your ears.
4. Wipe the earphones with an antiseptic before and after use to avoid infections. Stop using the earphones if they are causing great discomfort or infection.

WARRANTY

For information on the Rolls One Year Limited Warranty, and to register this product, visit our website at www.rolls.com

SPECIFICATIONS

Input Impedance:

150 Ω

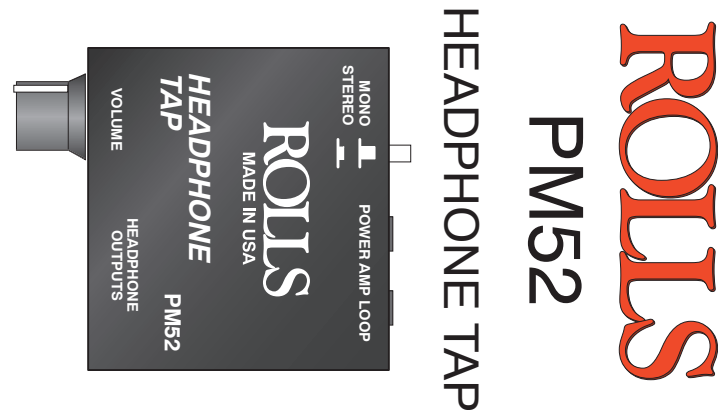
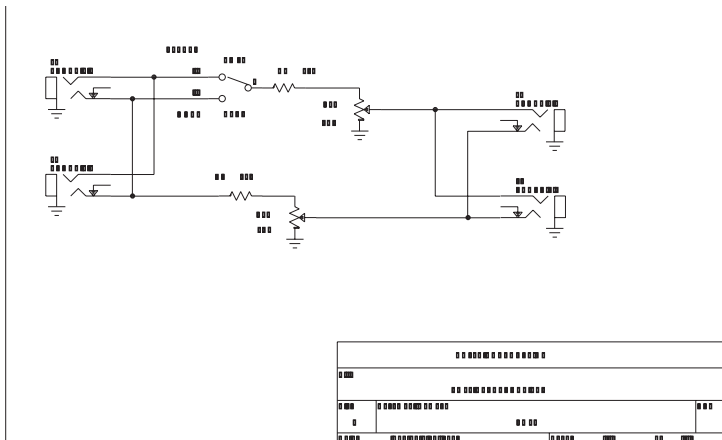
Size:

2.25" x 2.5" x 1.25"
(5.7 x 6.3 x 3.2 cm)

Weight:

1lb (.45 Kg)

SCHEMATIC



ROLLS

PM52

HEADPHONE TAP

PM52

Headphone Tap

- Converts speaker level signals to headphone level
- Eliminates heavy wedge monitors
- Passive - no power required

The PM52 is the ideal device for anyone wanting to use headphones rather than a wedge or speaker monitor. Drummers, instrumentalists, and sound professionals alike have all benefited from the PM52. PLEASE NOTE: THE PM52 REQUIRES A MINIMUM OF A 10 WATT AMPLIFIER TO FUNCTION PROPERLY.



Rolls Corporation
Salt Lake City, UT
9/95

