

Contents	
Important instructions	1
Complete set	1
Introduction	2
Before you start	2
Specifications	2
Controls	3
Top panel	3
Right panel	3
Only for qualified service personnel	3
Batteries installation	3
Audio connections and switching	3
Audio connections (1-channel preamp)	3
Audio connections (2-channel preamp)	3
Audio connections (4-channel preamp)	4
Block diagram	4

### IMPORTANT INSTRUCTIONS!

NON-OBSERVANCE OF THE FOLLOWING INSTRUCTIONS CAN CAUSE DAMAGE OF THE DEVICE. THE DAMAGES RESULTED BY NON-OBSERVANCE OF THESE INSTRUCTIONS MAKE THE WARRANTY VOID.

- After transportation or storage of the product under negative temperatures, before switching the device on it is necessary to leave the device under room temperature in its original package for AT LEAST 2 hours!
- To connect the guitar preamp to other devices use only the cables intended for such connections.
- You must not use other cables types such as speaker, etc.

#### SWITCHING ON the guitar preamp:

- Switch the device on **ONLY AFTER YOU HAVE DONE** all audio connections!
- Before connecting the preamp to mains make sure that the case, the connecting cable and the of the power adapter have no damages such as cuts, cracks, dents, etc. and are operational.
- To switch the preamp on first insert the low-voltage connector of the power adapter into corresponding jack on the rear panel of the guitar preamp and only then plug the adapter into the mains outlet.

#### SWITCHING OFF the guitar preamp:

- To switch the preamp off first disconnect the power adapter from mains and then disconnect its low-voltage connector from the jack on the rear panel of the guitar preamp.

### COMPLETE SET


The complete set includes:

1. The guitar preamp	1
2. Instruction manual	1
3. Packaging	1
4. Warranty card	1

### Safety precautions.

**CAUTION!** There are no user serviceable parts inside. Repair of the device can be carried out only by qualified experts. If the device is not used it must be disconnected from mains.

**WARNING!** In order to avoid fire or electric shock the device must not be exposed to rain or moisture. Do not let water or other liquid get inside the device. Do not place vessels such as vases filled with liquid on top of the device.

 This symbol indicates important information related to the device maintenance and servicing contained in the accompanying documentation.

Please read the instruction manual very carefully.

1. Keep the user's guide at hand.
2. Pay attention to warnings.
3. Follow all instructions related to device operation.
4. To clean the device, use only a dry cloth having disconnected the device from mains prior to that.
5. Do not place the device near heat sources, keep it from direct sunlight.
6. Lay the mains cable so that it is not stepped on and avoid its contact with sharp corners, etc. If you use the plug or outlet for switching the device off they should be easily accessible.
7. Use only additional devices and accessories recommended by the manufacturer.
8. Disconnect the device from mains in case of thunder-storm or when the device is not in use for prolonged time.
9. All works related to the device repair must be done only by qualified service personnel.
10. **WARNING!** All service instructions are intended only for qualified personnel in order to avoid electric shock; do not carry out any repair works which are not described in the instruction manual. Repair works must be carried out only by qualified experts.

## INTRODUCTION

Legend Amps S-1 GUITAR PREAMP is intended for studio recording and live shows.

"AMT Legend Amps" is a novelty revolutionary series of 1-channel JFET preamps from AMT Electronics based on the completely new approach to the guitar sound shaping.

The new series of guitar preamps is based on the technology using analog modeling of physical processes occurring in the real vacuum triode during guitar signal limitation.

It was realized due to the use of original circuitry design.

The overdrive channels construction corresponds to the processes occurring in real tube-based devices.

Thanks to that we achieved formation of limitation, dynamics and range similar to popular tube amplifiers.

While having minimum size and power consumption inherent in semi-conductor effects, the effects of AMT Legend amps series possess a number of unique properties characteristic to authentic tube preamps and amplifiers:

- ✓ The preamps of AMT Legend Amps series provide great playing dynamics characteristic to tube devices.
- ✓ With limitation range similar to tube the effects of the series offer tremendous density and power of sound. Using AMT Legend Amps you won't feel the necessity to cut out the most informative mid-frequencies that provide good readability of your guitar in a mix.
- ✓ AMT Legend preamps like tube ones provide gradual increase in the number of limiting cascades with sensitivity enhancement.
- ✓ The preamps of the series use passive circuits of tone formation fully corresponding to the adjustments of original tube overdrives.
- ✓ High output level of AMT Legend Amps effects (+10dB at maximum Level) corresponds to tube preamps output levels. In this way you have the adjustable signal level which allows to connect the preamp to any input (RETURN, DIRECT, LINE etc.), including INPUT POWER AMP.

Architecture and features of AMT Legend Amps series preamps:

- ✓ The preamps of the series are single-channel devices with passive bypass.
- ✓ Legend amps have two outputs: direct OUT of the preamp and a separate CAB.SIM line output.

The sound features of guitar preamps of "AMT Legend Amps" series:

AMT Legend Amps B-1

This preamp is intended for the admirers of a "clanking" sound with elastic punch. Legend Amps B-1 emulates Sharp channel of such legend as Bogner Triple Giant. AMT Legend Amps B-1 has the same sharpness, the same exactingness of sound production, the same dynamism and the same sound brightness as the original.

AMT Legend Amps M-1

It emulates the "forefather" of the majority of amplifiers created for heavy styles, legendary Marshall JCM800. As well as the legendary "forefather", AMT Legend Amps M-1 is perfectly on friendly terms with boosters.

AMT Legend Amps P-1

This device emulates one of the most esteemed one for its super heavy sound - Peavey 5150. The sound of AMT Legend Amps P-1 is monstrous density and aggression and huge amount of gain.

AMT Legend Amps R-1

This device embodies all the power and grace of Red-channel overdrive used in one of the most popular hi-gain amps by Mesa Boogie.

AMT Legend Amps S-1

The device is intended for the production of sound peculiar to «drive» channels of Soldano amps. It is distinguished by specific type of overdrive: open, wide and at the same time tough and dynamic.

AMT Legend Amps F-1

The basic sounds of AMT F-1 are classic amps of Fender Twin series. AMT F-1 offer crystal clear sound with slight warm overdrive at high sensitivity.

AMT F-1 is a pioneer of the basic modules of the entire AMT LA series.

You can build around AMT F-1 your own complex of multi-channel preamp consisting of AMT LA mono channels: P-1, B-1, M-1, R-1, S-1. The series is constantly expanding to provide you with unique 100% analog tool forming the sound of your guitar.

AMT F-1 is supplied with power adapter (unlike the other pedals of the series).

### CAUTION!

The preamps of AMT Legend Amps series like many other top-class devices are sensitive to power adapters' quality. We urgently recommend using either 9V battery 6F22 or the quality adapter such as AC/DC Adapter SA09DC-9V 1,11A or AC/DC Adapter SA12DC-12V 1,25A.



## Before you start

For the purpose of transportation the device was carefully packed by the manufacturer. However, if cardboard packaging is damaged, it is necessary to check the device for the presence of external damages.

- In case of damages do not send the device to us, but inform the seller and transport agency since otherwise you lose the right to damage compensation.
- In order to avoid damages during storage and transportation always use original packaging.
- Do not allow children to play with the device and packaging materials.
- Please recycle all packaging materials in the way harmless to environment.
- In order to avoid the device overheating provide sufficient air flow, do not cover and do not place it near other heat-generating devices.
- Operating the device next to powerful radio transmitters and sources of high-frequency signals can lead to significant sound distortion. In this case increase the distance between the device and the transmitter and use the screened cables for all interconnections.

### WARNING!

Please be aware that high sound volume can harm your hearing and / or to damage the speakers of your PA system. Before switching the device on turn the controls "Volume" into extreme left position (counter-clockwise). Always try to adhere to moderate level of volume.

## Specifications

Input Impedance	1,0 MOhm
Nom. sensitivity	-20dB
Output	
Output impedance	10 kOhm
Output signal level	+10dB
CAB.SIM. output	
Output impedance	10 kOhm
Output signal level	-10dB
Power supply	6F22 battery
Voltage	DC 9V
Current consumption	Approx. 6.0mA
Power adapter	Recommended: AC/DC Adapter SA09DC-9V 1,11A; AC/DC Adapter SA12DC-12V 1,25A DC 9V or DC 12V
Voltage	
Dimensions / Weight	
Net dimensions (WxHxD)	111x58x73 mm.
Net weight (without battery)	0,23 kg.
Overall dimensions (WxHxD)	Approx. 125x83x103 mm.
Weight (without battery)	Approx. 0,3 kg.



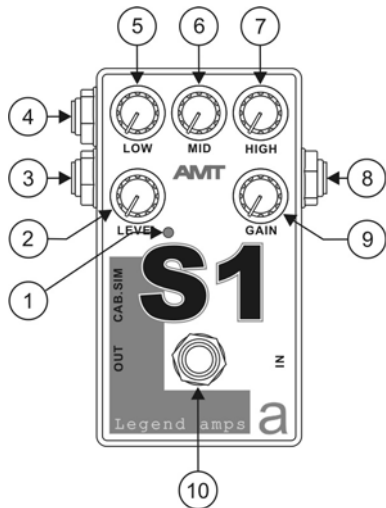
Use only auxiliary devices and accessories recommended by the manufacturer.

Arrangement of contacts in a low-voltage socket of the adapter.

Расположение контактов на низковольтном разъёме сетевого адаптера.

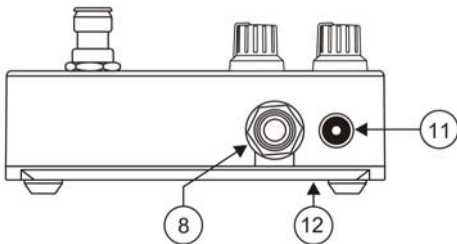


**CONTROLS**  
Front panel



1. Guitar preamp operation indicator.
2. LEVEL – adjusts the preamp output signal level.
3. OUT – output for connection to an input of the power amplifier.
4. CAB.SIM. - output to Line input of a mixer.
5. LOW – adjusts low frequencies.
6. MID – adjusts middle frequencies.
7. HIGH – adjusts high frequencies.
8. IN – electric guitar input.
9. GAIN – adjusts the guitar preamp sensitivity level.
10. FOOT SWITCH – switches operating modes PREAMP / BYPASS

Right panel



11. DC 9V – jack for connecting power adapter of the guitar preamp.
12. Bottom cover of the preamp.

**WARNING!** All cable connections must be made ONLY WITH GUITAR PREAMP SWITCHED OFF! ("BYPASS" mode)!

Only for qualified personnel

**WARNING!** There are no user serviceable parts inside the device. The repair of the device can only be carried out by qualified personnel. If the device has not been in use for prolonged time period it is necessary to remove the batteries from the device.

To prevent possible damages or injuries resulted by fire or electric sort circuit do not let foreign objects and liquids get inside the device.

Battery replacement

Use only the batteries recommended by the manufacturer.

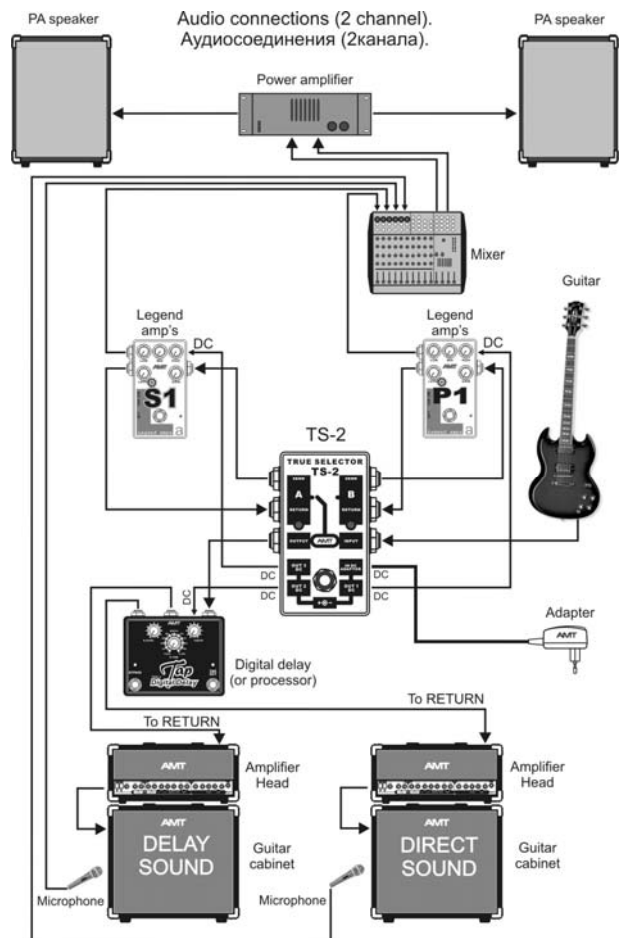
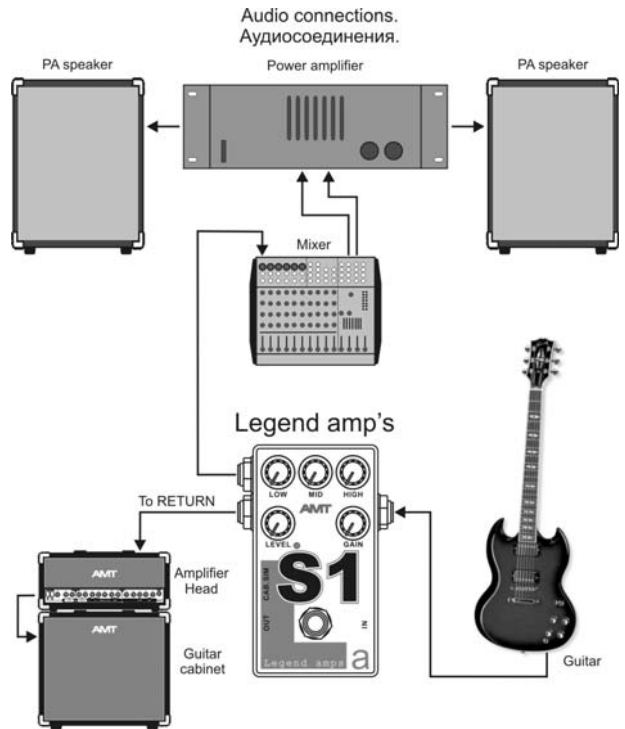
To replace the batteries:

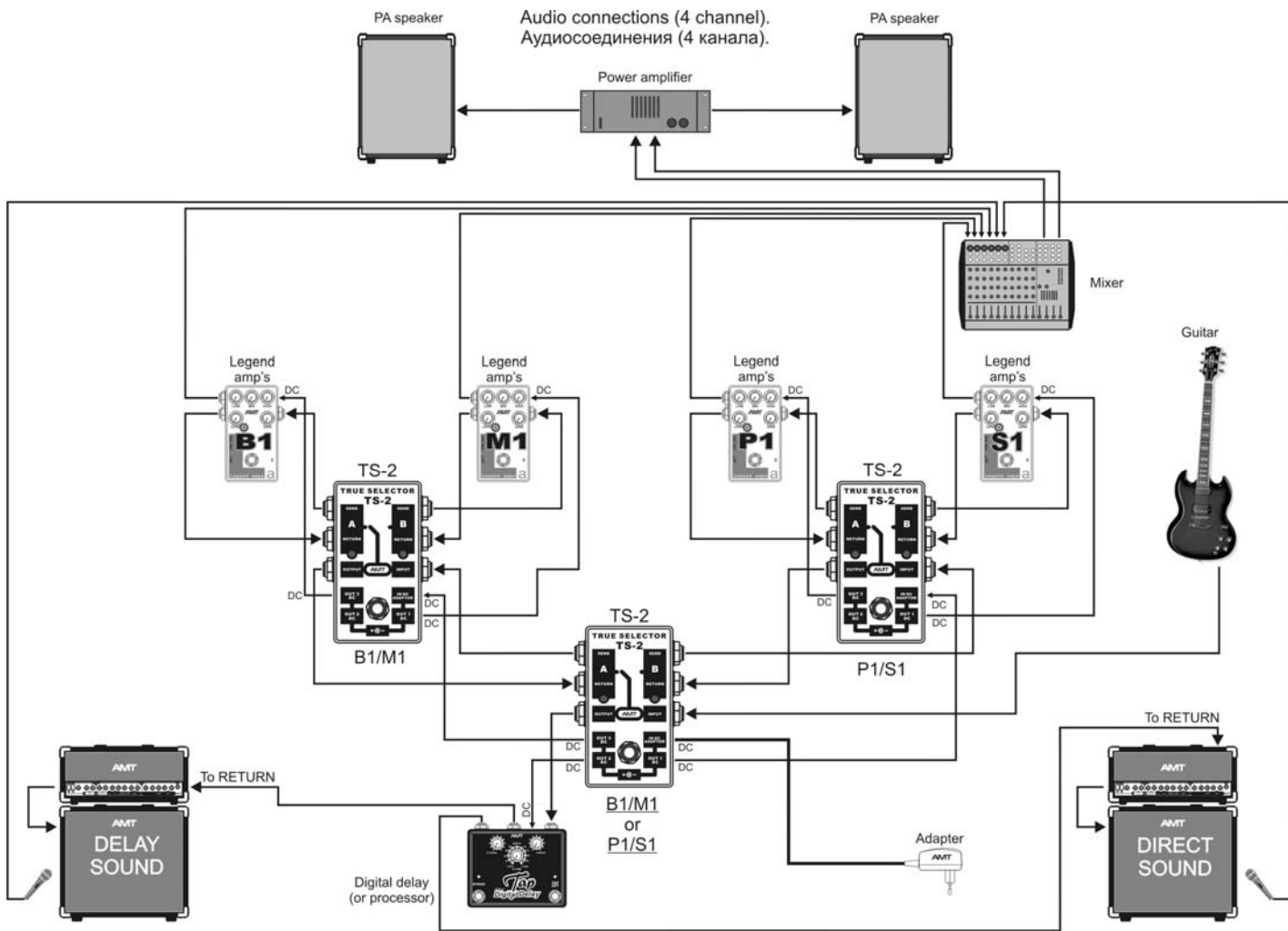
1. Remove the bottom cover of the preamp by unscrewing 4 (four) fastening screws.
2. Remove the old battery and disconnect it from connector.
3. Connect the new battery to the connector and put in place.
4. Replace the bottom cover of the device and fasten it by means of 4 (four) fastening screws.

**AUDIO CONNECTIONS AND SWITCHING**

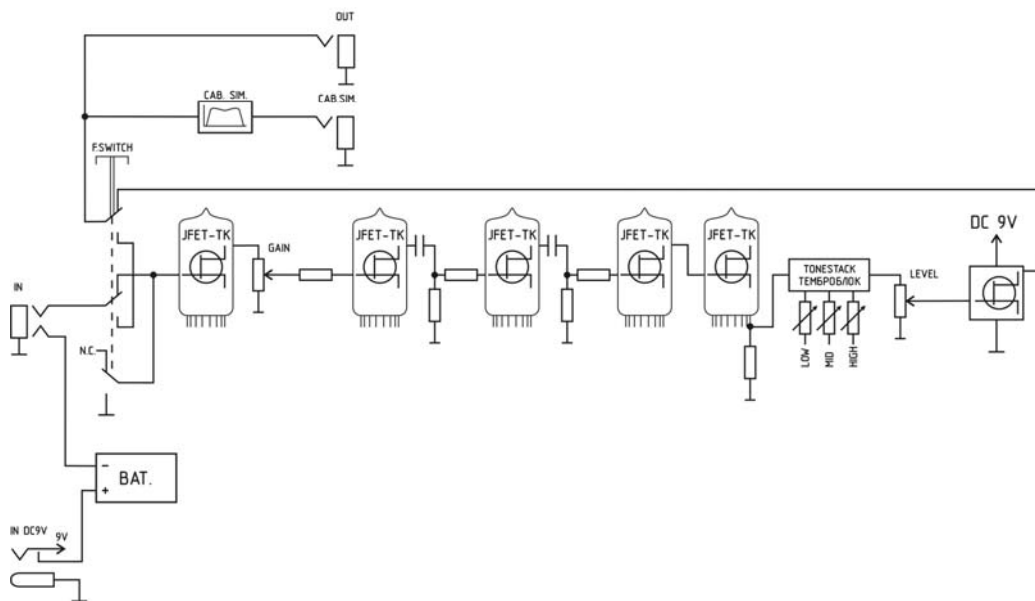
**WARNING!** All cable connections must be made ONLY WITH GUITAR PREAMP SWITCHED OFF! ("BYPASS" mode)!

The diagram of possible audio connections of the preamp with external units:





**Legend S-1** Block-diagram.  
**Legend S-1** Блок-схема.



All used names, names and trade marks are the property of their owners.

AMT Electronics reserves the right to make changes in the design and appearance of the device which in no way violate the product's consumer properties without prior notification. Therefore specifications and appearance of the product can differ from the ones shown in the given document.