

WARRANTY INFORMATION

Ultimate Support Systems offers a Limited Lifetime Warranty on GS-55 (#17350). For Full Details, Exclusions and Limitations as well as information on Obtaining Warranty Service, please see full warranty details available online at www.ultimatesupport.com. To purchase the Ultimate Protection Plus Premium Service and Support Plan, please visit www.ultimatesupport.com or call customer support at **800-525-5628** for more information.

WARRANTY REGISTRATION

Visit www.ultimatesupport.com for a quick and convenient process for registering your new Ultimate Support product. Warranty Registration and Proof of Purchase are required for warranty fulfillment. Full Limited Lifetime Warranty and Ultimate Protection Plus Premium Service and Support Plan details are available online under Music Gear & Instrument Stands / Customer Support.

PLEASE NOTE

Vintage instruments and instruments with a nitrocellulose lacquer finish require special care. Sweat, heat, sunlight, environmental pollutants, nitrocellulose and age can create chemical reactions that can not be tested or predicted. At Ultimate Support we care about your instrument and strongly caution against any guitar stand being used for long-term instrument storage.

ULTIMATE
S U P P O R T ™

THE STRENGTH OF INNOVATION

Product Manual
for Ultimate Support

**GENESIS
SERIES**

GS-55

ITEM #17350



Holds acoustic and more...



COMPACT, PORTABLE STAND IS IDEAL FOR ELECTRIC AND ACOUSTIC GUITARS

A-Frame Style Stand

Stable A-frame design securely holds different shapes and sizes of electric and acoustic guitars.

Leg Lock

Legs lock open and closed for worry free stability.

True Portability

One-piece stand quickly folds to a 3.5" x 14", creating an ultra-compact unit.

Guitar Pick Storage Slots

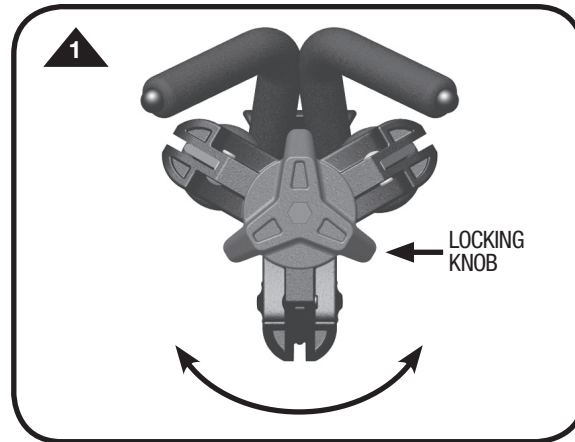
Keep extra picks close by.

Limited Lifetime Warranty

Constructed of the finest materials and backed by our award-winning customer support. See page 4 for details.

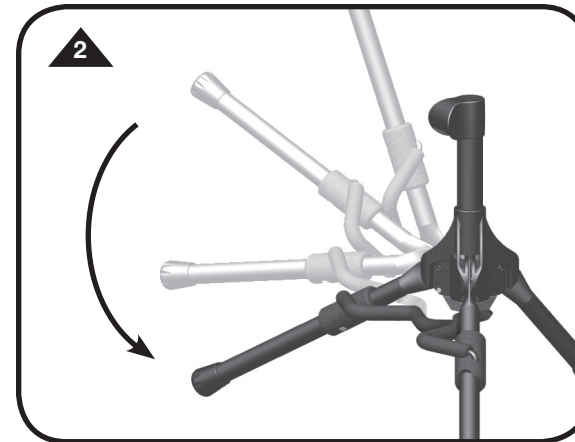
Elevating Performances Genesis Guitar Stands feature a unique, patented leg-locking mechanism. When setting up the stand, unlock the legs, unfold and lock the legs in place for worry free stability and strength. When finished with the gig, unlock the legs, fold, and lock for easy, compact portability. The ingenious leg lock eliminates "floppy leg" syndrome!

SET-UP



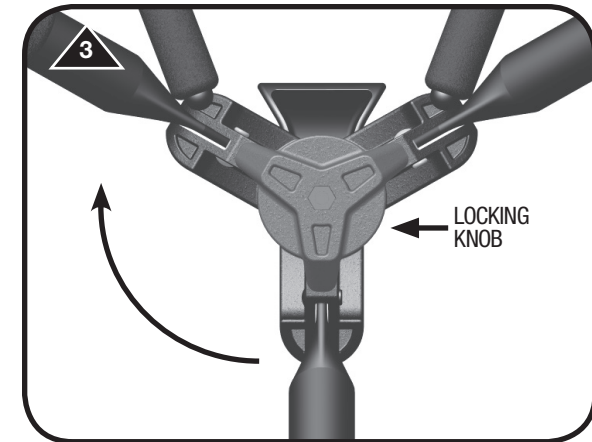
STEP 1

Turn stand upside-down and locate the RED Locking Knob. Turn the Locking Knob ¼ turn counterclockwise to the open position shown above.



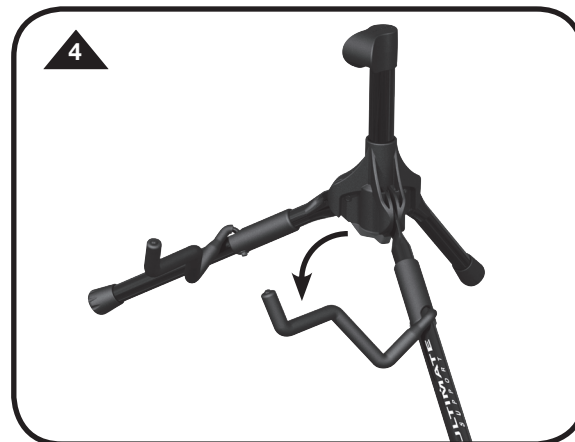
STEP 2

Turn the stand back to the upright position and fold all three legs down until they stop in the open position. (The legs should move freely to the open position, if they do not, make sure the Locking Knob is in the open position.)



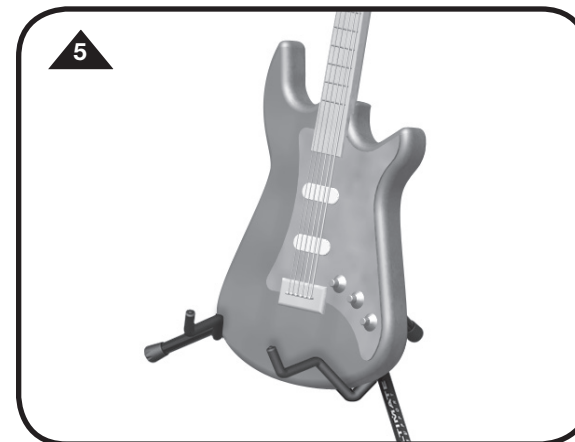
STEP 3

After all three legs are in the open position turn the RED Locking Knob ¼ turn clockwise to the closed position shown above.



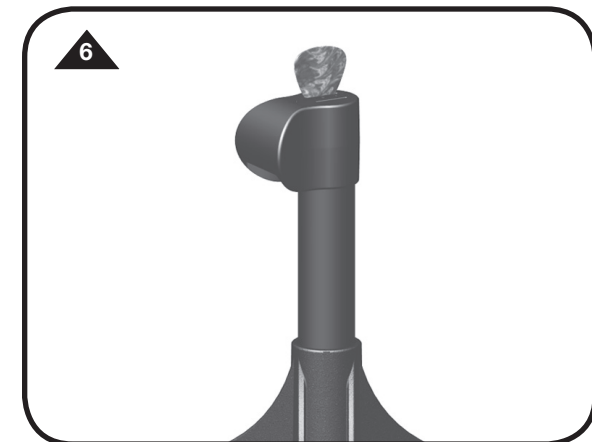
STEP 4

Unfold the cradle arms to the down position.



STEP 5

Set the electric or acoustic guitar into the cradle arms. Rest the back of the guitar on the soft pad at the top of the stand's upright tube.



STEP 6

Store picks in the slot on the top of the stand's upright tube.