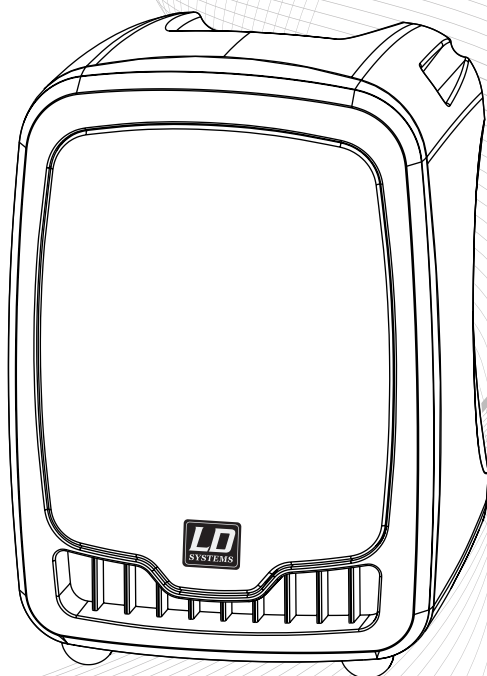
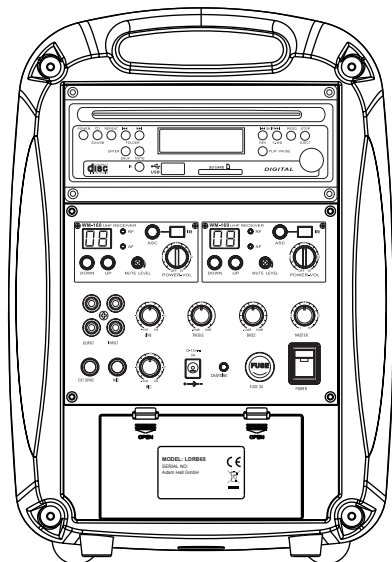


USER'S MANUAL
BEDIENUNGSANLEITUNG
MANUEL D'UTILISATION
MANUAL DE USUARIO
INSTRUKCJA OBSŁUGI
MANUALE D' USO



LD ROADBOY 6.5

PORTABLE SOUND SYSTEM 25 W



ENGLISH

DEUTSCH

FRANCAIS

ESPAÑOL

POLSKI

ITALIANO

Thank you for choosing LD-Systems!

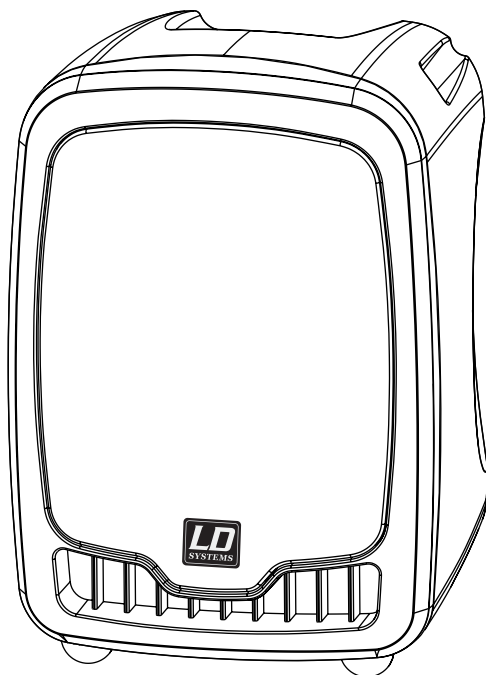
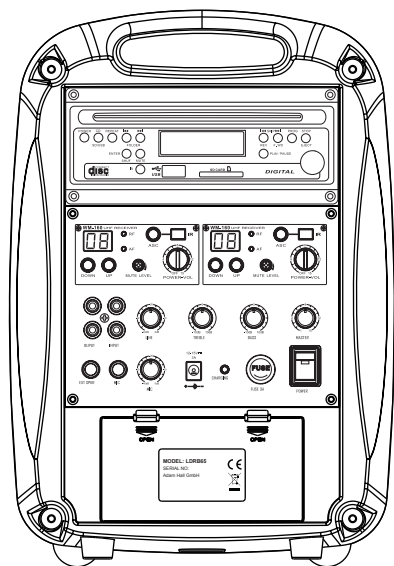
We have designed this product to operate reliably over many years. Therefore LD-Systems guarantees for high quality products with its name and many years of experience as a producer.

Please, take a few moments to read these instructions carefully, as we want you to enjoy your new LD-Systems products quickly and to the fullest.

For information about LD-Systems check out our website WWW.LD-SYSTEMS.COM

LD ROADBOY 6.5

PORTABLE SOUND SYSTEM 25 W



ENGLISH

DEUTSCH

FRANCAIS

ESPAÑOL

POLSKI

ITALIANO

PREVENTIVE MEASURES:

1. Please read the attached safety instructions as well as the following instructions carefully.
2. Please keep all the instructions.
3. Please use the device only as intended.
4. Please respect the valid waste management rules. Please deliver the packaging divided into plastic and paper/ cardboard to the recycling management.
5. Please refer all servicing to qualified personel only if the device is damaged, exposed to liquid/rain or if it does not operate normally.
6. Please, do not expose to any kind of heat such as ovens, radiators, or any other devices (incl. amplifiers). Please check for enough distance between amplifiers and walls, racks, etc. to prevent overheating.
7. After connection please check the wiring to prevent any kind of accident or damage. Please never use any kind of damaged cable and wiring.
8. Only use authorized and stable stands, brackets, shelves, tables etc.. for installations. Please check for adequate stability against collapse.



CAUTION:

To reduce the risk of electric shock, do not remove cover (or back). No user serviceable parts inside. Refer servicing to qualified personnel.



The lightning flash with arrowhead symbol within an equilateral triangle is intended to alert the user to the presence of uninsulated "dangerous voltage" within the product's enclosure that may be of sufficient magnitude to constitute a risk to persons.



The exclamation mark within an equilateral triangle is intended to alert the user to the presence of important operating and maintenance (servicing) instructions in the literature accompanying the appliance.

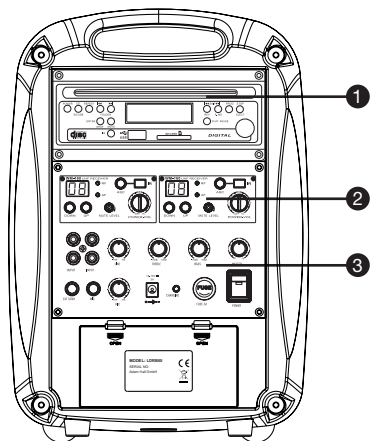
CAUTION! HIGH VOLUME!

You will operate this system for professional use. Therefore the commercial use of this equipment is liable to the rules and regulations of the Accident Prevention & Insurance Association of your industry sector. Adam Hall as a manufacturer is bound to inform you formally about the existence of eventual sanitary risks.

These speakers are able to induce high acoustic sound pressure levels. 85 db is by law the maximum audio pressure level which your ear can be exposed to during a work day. It was set according to the technical expertise of the occupational medicine as a basis for the noise rating level. Higher sound levels or longer exposition times could damage your ear. The time of exposition by higher sound pressure levels should be shortened in order to prevent from ear damages. Here are a few reliable warning signals which show that you have exposed yourself for a too long period to excessive sound pressure levels:

- You hear bell- or whistling sounds!
- You have the impression that you can't hear high tones anymore!

BACK PANEL:



1 CD PLAYER

Digital Slot-In CD Player with USB memory stick input and SD card slot. CD Player with anti-shock function.

Supported files (CD Player, USB Player, SD card reader): Audio CD, MP3, WMA.

2 WIRELESS RECEIVER MODULE

The Roadboy 6.5 is equipped with one wireless receiver module. You can install a second receiver module if you wish to use a second wireless microphone simultaneously.

3 CONTROL PANEL

Volume Control: Master, Wired Mic, Line-In

EQ: Bass, Treble

In & Out

Powered output for external speaker

LED Indicator: Low Battery power (red), battery charging (green blinking), battery fully charged (green).

ENGLISH

DEUTSCH

FRANCAIS

ESPAÑOL

POLSKI

ITALIANO

SYSTEM COMPONENTS:

ENGLISH

DEUTSCH

FRANCAIS

ESPAÑOL

POLSKI

ITALIANO

Roadboy



Handheld Microphone



Power Supply



Remote Control



OPTIONAL ACCESSORIES:

Transport Bag (LDSB21)



Belt Pack Transmitter (LDWS1616BP)



Additional Receiver (LDRM102R)



Headset mic black (LDWS100MH1)



Headset mic skin colour (LDWS100MH3)



Speaker stand (SPS56B)



ENGLISH

DEUTSCH

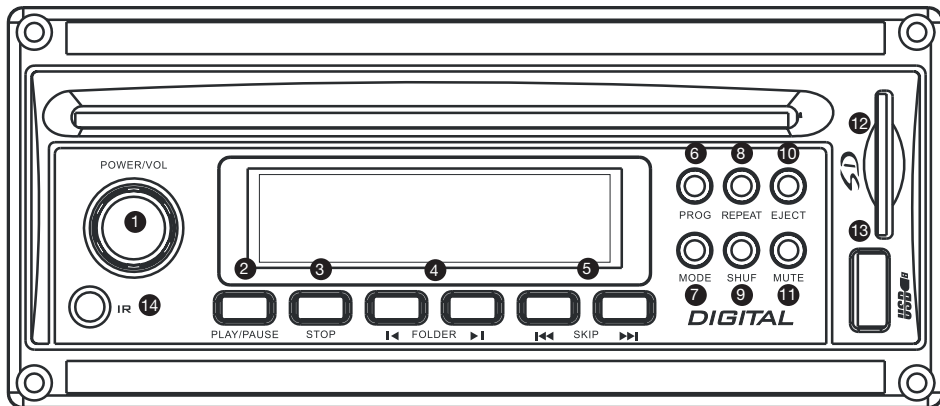
FRANCAIS

ESPAÑOL

POLSKI

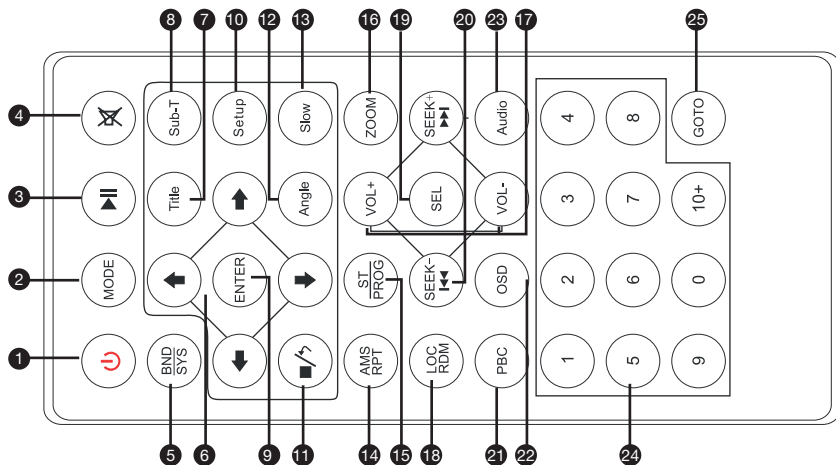
ITALIANO

CD PLAYER:



- 1 POWER/VOL**
On / Off, Volume control
- 2 PLAY / PAUSE**
- 3 STOP**
Stop, return to the main menu
- 4 FOLDER**
Available in USB, MP3 CD and SD Card Mode
In Stop Mode: Use the FOLDER (LEFT/RIGHT) Buttons to go to the previous/next folder.
In Play Mode: Use the FOLDER (LEFT/RIGHT) Buttons to go to the first file of the previous/next folder.
- 5 SKIP (LEFT/RIGHT) BUTTONS**
In Play and Stop Mode, press SKIP (LEFT/RIGHT) to go to the previous /next track.
In Play Mode keep the SKIP button pressed to fast forward (SKIP RIGHT) or fast reverse (SKIP LEFT) a track.
- 6 PROG**
Function not available
- 7 MODE**
Press this button to switch between SD / USB / CD mode
- 8 REPEAT**
Press once to repeat the current track.
Press twice to repeat all tracks.
- 9 SHUF**
Random play
- 10 EJECT**
Remove disc
- 11 MUTE**
Mutes the volume of the SD / USB / CD Player.
- 12 SD CARD SLOT**
- 13 USB 2.0**
Memory stick input
- 14 IR**
Remote control receiver module

REMOTE CONTROL:



The Roadboy 6.5 is equipped with two remote control infrared receiver modules. One on the front and one on the rear panel of the unit. You can therefore use the remote control in front of or behind the speaker.

- 1 POWER BUTTON:** Power switch
- 2 MODE BUTTON:** Mode switch button
- 3 ►|| BUTTON:** Pause / play button
- 4 ✕ BUTTON:** Repeated short press to clear and restore the sound.
- 5 BND/SYS**
Function not available
- 6 ◀/▶/↑/↓ BUTTON:**
Function not available
- 7 TITLE BUTTON:**
Function not available
- 8 SUB-T BUTTON:**
Function not available
- 9 ENTER BUTTON:**
Function not available
- 10 SETUP BUTTON:**
Function not available
- 11 ■/↵ BUTTON:**
Stop button
- 12 ANGLE BUTTON:**
Function not available
- 13 SLOW BUTTON:**
Function not available
- 14 AMS / RPT BUTTON:**
Press once to repeat the current track.
Press twice to repeat all tracks.
- 15 ST / PROG BUTTON:**
Function not available



CD REMOTE CONTROL:

ENGLISH

DEUTSCH

FRANÇAIS

ESPAÑOL

POLSKI

ITALIANO

16 ZOOM BUTTON:

Function not available

17 VOL+VOL-BUTTON:

Increase or decrease the volume.

18 „LOC / RDM“ BUTTON

LOC / RDM“ button, random play.

19 SEL BUTTON:

Press this button to switch between SD / USB / CD mode

20 I◀◀ / ▶▶I BUTTON:

In Play and Stop Mode, press SKIP (LEFT/RIGHT) to go to the previous /next track.

In Play Mode keep the SKIP button pressed to fast forward (SKIP RIGHT) or fast reverse (SKIP LEFT) a track.

21 PBC BUTTON:

Function not available

22 OSD BUTTON:

Available in Audio CD Mode.

Without pressing: Display shows track running time

Press once:

Display shows remaining time for the current track

Press twice:

Display shows the CD running time

Press three times:

Display shows remaining CD time

23 AUDIO LEFT / RIGHT STEREO ADJUSTMENT:

Function not available

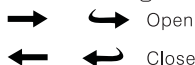
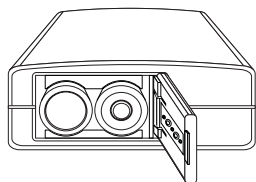
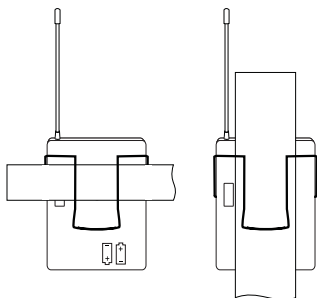
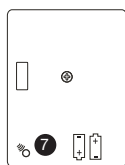
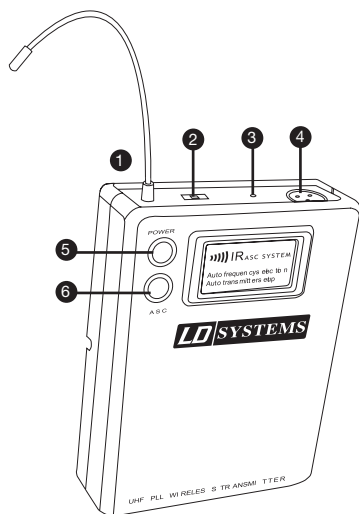
24 1-10+BUTTON:

Function not available

25 GOTO BUTTON:

Function not available

BELT PACK TRANSMITTER:



1 ANTENNA

2 GAIN SETTINGS

Mic: Microphone
 0: Guitar with passive pickup
 -10 dB: Guitar with active pickups

3 POWER LED

Green: operating
 Red: Battery low
 Blinking red: IR transmission is in progress

4 MINI XLR MIC INPUT

5 POWER ON / OFF BUTTON

6 ASC BUTTON (ACTIVATE SYNC)

Press this button to activate the infrared connection between transmitter and receiver

7 IR PORT

Receives the infrared frequencies sent by the receiver in order to synchronize transmitter and receiver.

WEARING THE BELTPACK TRANSMITTER

Clip the receiver to a belt. For ultimate results, clip the receiver onto a belt by pushing the receiver down onto the belt as far as it goes.

For guitarists, attach the guitar strap "through" the receiver clip.

CHANGING THE BATTERIES

Expected life for two alkaline batteries is approximately 8 hours.

When the battery status indicator flashes red the batteries should be changed immediately as show on the left side. Please Insert 2 AA Alkaline batteries (LR6 1,5 V)

WIRELESS RECEIVER MODULE:

ENGLISH

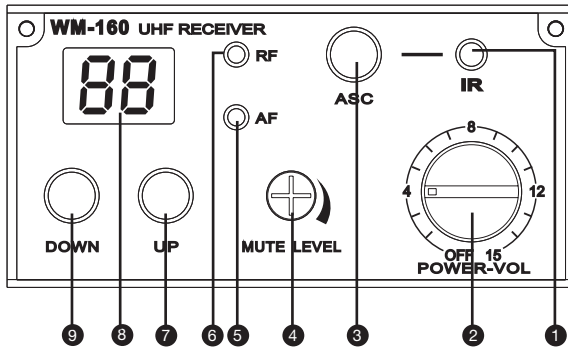
DEUTSCH

FRANCAIS

ESPAÑOL

POLSKI

ITALIANO



1 IR WINDOW

Sends infrared signals to the transmitter (handheld mic) in order to synchronize the frequencies

2 POWER

Power switch and Volume controller

3 ASC

After selecting a transmitting frequency in the receiver, press ASC to sync the transmitter. Hold the IR port of the microphone in front of the IR port of the receiver. (Sync with beltack: Press ASC on the beltack and on the receiver to activate sync.

4 MUTE LEVEL

Adjusting the receiver squelch setting: This function suppresses noise when the transmitter is off or when the receiver is no longer able to receive a sufficiently strong signal from the transmitter.

The squelch setting of the receiver is adjusted at the factory so that the system functions optimally. Normally, no further adjustment is required. If readjustment does become necessary, the squelch level should be set so that no noise is de-

tected in the receiver when the transmitter is off. This makes it possible to suppress interference, but it may also reduce system range under some circumstances. If the squelch level is reduced, interference can increasingly affect transmission quality. However, this may increase system range under some circumstances.

5 AF

Shows if the module receives an audio signal

6 RF

Shows if the module receives a radio signal

7 UP

Channel Up

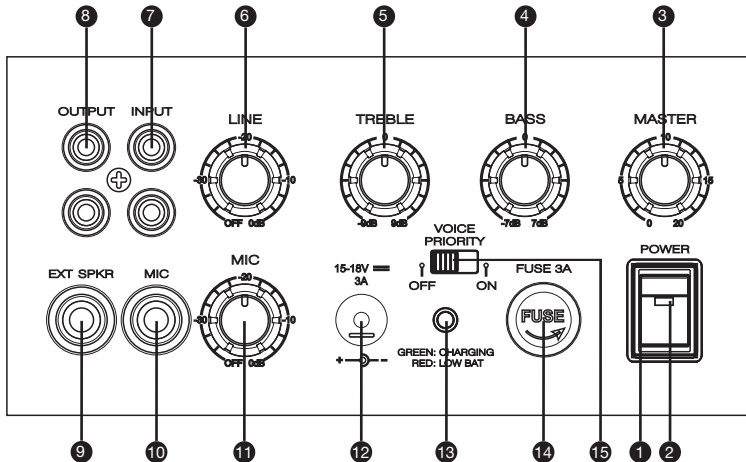
8 DIGITAL DISPLAY

Digital channel display

9 DOWN

Channel Down

CONTROL PANEL:



1 POWER SWITCH

This is the general power switch (ON/OFF for the whole system)

2 LED INDICATOR

When red, the system is in operation. Turned ON.

3 MASTER VOLUME

General volume control of the system

4 BASS

BASS / LOW TONE Equalizer

5 TREBLE

TREBLE / HIGH TONE Equalizer

6 LINE VOLUME

Line input (RCA) volume control

7 RCA LINE IN

8 RCA LINE OUT

9 EXTERNAL SPEAKER OUTPUT

Use this Output to plug a further passive speaker. When using this output the sound comes out of both the Roadboy and the passive speaker. (min 4 Ω)

10 MICROPHONE INPUT

11 MICROPHONE VOLUME CONTROL

12 DC POWER INPUT PLUG

13 CHARGING / LOW BAT INDICATOR

LED Indicator: Low Battery power (red), battery charging (green blinking), battery fully charged (green).

14 FUSE 3A

15 VOICE PRIORITY FUNCTION SWITCH

When Music is playing, turning on the Voice Priority function will automatically decrease the volume of the music when you speak in the microphone. As soon as you stop talking the music volume increases again. It is the so called "Talk Over" function.

HANDHELD TRANSMITTER:

ENGLISH

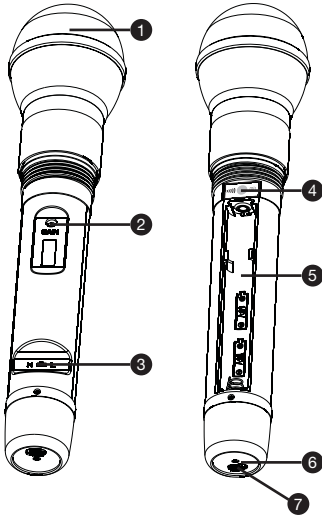
DEUTSCH

FRANCAIS

ESPAÑOL

POLSKI

ITALIANO



1 MICROPHONE HEADGRILLE

2 GAIN

Use this controller to adjust the microphone sensitivity
Left decrease, Right increase.
Factory settings should give you complete satisfaction.

3 RF POWER SWITCH

H stands for High power signal, L for Low power signal.

4 IR PORT

Receives the infrared frequencies sent by the receiver in order to synchronize transmitter and receiver.

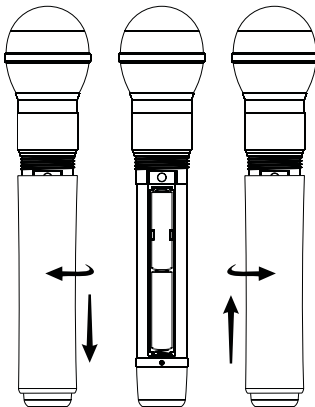
5 BATTERIES RACK

Please Insert 2 AA Alkaline batteries (LR 6 1,5 V)

6 POWER/ASC

Green light: Power On
Green flash: IR transmission in progress
Red flash: battery low

7 ON/OFF SWITCH



CHANGING BATTERIES

Battery life is about 8 hours. If the Low Battery indicator glows then change the batteries immediately.

SYSTEM SETTINGS AND OPERATIONS:

ENGLISH

DEUTSCH

FRANCAIS

ESPAÑOL

POLSKI

ITALIANO

USING THE WIRED MICROPHONE INPUT

Plug the 6.3 mm Jack connector of your microphone cable into the MIC Jack input. You will find this input on the back panel of your Roadboy. Make sure that the other end of your cable is correctly connected to the microphone. If your microphone features an ON / OFF switch, please set it to the ON position. Now use the MIC gain knob to set the balance between the MIC and LINE inputs. Too much MIC level can cause distortion (Overdrive).

USING WIRELESS MODULE

Start by setting the MASTER level knob of your Roadboy on the zero position. Then turn the POWER-VOL knob of the wireless module to twelve o'clock position. Now you can synchronize the transmitter (handheld mic or Belt Pack) with the integrated receiver thanks to the ASC function: Press the ASC button of the wireless receiver module, the ASC LED now flashes red.

If you are using a handheld transmitter: The Infrared sensor (IR) is placed in the battery compartment under the capsule. Hold it close to the IR sensor of the wireless receiver module.

If you are using a Belt Pack transmitter: You need to activate the ASC function on the Belt Pack also. Then hold the Infrared sensor (IR on the rear side) of the belt pack transmitter close to the IR window of the wireless receiver module. The synchronization lasts a few seconds. If you have installed a second wireless module (optional), make sure that you are not running both modules on the same frequency in order to avoid any interference (see frequency list). A flashing RF light shows that your system is functioning and that the synchronization was successful. You can now increase the MASTER volume of your Roadboy to the desired volume.

Maximum distance between the wireless microphone (or Belt Pack transmitter) and the receiver module is around 60 m in an open space.

USING THE „EXT. SPEAKER“ OUTPUT

Use a speaker cable with 6.3 mm Jack connector to connect the external loudspeaker. Use a speaker with impedance between 4 and 8 Ohm with a minimal power output of 25 W.

CHARGING ROADBOY

Plug the power supply (16 V / 3 A) which is included with your Roadboy to operate your system without batteries or in order to charge the batteries. The charging time is 8 hours. The charging procedure stops automatically when the battery is fully charged. You can also keep the Roadboy connected to the AC current and operate it as long as you wish.

IMPORTANT!

When connecting the battery for the first time or when replacing the battery you MUST mind the polarity! Red = + (plus) // Black = - (minus).

When the Roadboy is charged for the first time, charging time should be 15 hours. This increases both battery life and capacity. This procedure should be repeated every 2-3 months. Before this charging procedure the battery should be empty.



TECHNICAL SPECIFICATIONS:

BASIC SPECIFICATIONS

Output power: MAX 25 W RMS / 4 Ω
Frequency response: 80 Hz - 15 kHz
Maximum sound pressure: 110 dB
Speaker: 6.5 - inch full range
Power: 200 V - 250 V Switching power supply
DC 16 V / 3 A
Batteries: 12 V / 2.9 AH
THD: <0,5 %
Size (W x H x D): 300 x 200 x 230 mm
Weight: 5 kg
Receiver module: 863 - 865 MHz
Operating time: 5 hours

CD PLAYER

Product type:
Compact disc digital audio system with mechanic & electronic anti-shock CD, CD-R, CD-R/W, MP3, WMA, USB, SD, MP3, WMA available.
Disc loading: Slot-in Type
Supply voltage: DC 12 V (10 ~ 14 V)
Power consumption: Within 5 W
Dimensions (W x H x D): 160 x 147.4 x 68.5 mm
Weight: 1.2 kg

RECEIVER

Channels: 16
Carrier frequency range: 863 - 865 MHz
Audio bandwidth: 60 Hz - 16 kHz
THD: <1%
Signal/noise ratio: >100 dB
Modulation: FM
Dimensions: 212 x 160 x 44 mm
Net weight: 860 g
Power requirements: 12 - 18 V DC / 300 mA, ext. power supply

HANDHELD TRANSMITTER

Channels: 16
Carrier frequency range: 863 - 865 MHz
Capsule type: Dynamic
Polar pattern: Cardioid
RF Output power: 10 mW
Audio bandwidth: 60 Hz - 16 kHz
Signal/noise ratio: >102 dB
Modulation: FM
Dimensions: 235 x 54 mm
Net weight: 280 g
Power requirements: 2 x „AA“ -batteries
Battery Life: >10 hours

BELT PACK TRANSMITTER

Channels: 16
Carrier frequency range: 863 - 865 MHz
RF Output power: 6 mW
Max. input level: 6 mV
Audio bandwidth: 60 Hz - 16 kHz
Signal/noise ratio: >102 dB
Modulation: FM
Dimensions: 85 x 65 x 24 mm
Net weight: 80 g
Power requirements: 2 x „AA“ -batteries
Battery Life: >10 hours, depending on batteries

Since all our products are constantly controlled and improved, technical changes are possible without prior notice.

ENGLISH

DEUTSCH

FRANCAIS

ESPAÑOL

POLSKI

ITALIANO

TECHNICAL SPECIFICATIONS:

LDWS1616 / Roadman / Roadboy

Frequency list for intermodulation free use of up to three wireless microphones simultaneously.

Nr.	Frequency MHz	Simultaneous
1	863,100	X
2	863,900	
3	864,500	
4	864,900	
5	863,200	
6	863,300	
7	863,400	
8	863,500	
9	863,600	
10	863,700	X
11	863,800	
12	864,000	
13	864,100	X
14	864,200	
15	864,300	
16	864,400	

ENGLISH

DEUTSCH

FRANCAIS

ESPAÑOL

POLSKI

ITALIANO



EC Declaration of Conformity
EG Konformitäts-Erklärung
Déclaration CE de Conformité

We / Wir / Nous **Adam Hall GmbH**
Daimlerstr. 9
D- Neu-Anspach

declare in exclusive responsibility that the product
 erklären in alleiniger Verantwortung, dass das Produkt
 déclarons sous notre seule responsabilité que le produit

Model **LD Portable PA Systems**
 Modell **LD Portable PA Systems**
 modèle **LD Portable PA Systems**

Type / Typenbezeichnung / type

LD Roadmen / Roadboy

to which this declaration relates is in conformity with the following standards:
 auf das sich diese Erklärung bezieht, mit den folgenden Normen übereinstimmt:
 auquel se réfère cette déclaration est conforme aux normes:

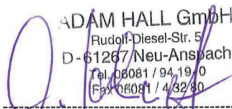
- EN 50371
- EN 60065: 2002
- EN 300422-1
- EN 300422-2
- EN 301489-1
- EN 301489-9

following the provisions of directive
 gemäß den Bestimmungen der Richtlinie
 conformément aux dispositions de directive

89 / 336 / EEC (Electromagnetic compatibility)
 (Elektromagnetische Verträglichkeit)

73 / 23 / EEC (Low Voltage Equipment)
 (Niederspannungsrichtlinie)

1999/5/EC European R&TTE Directive 1999/5/EC of 9th March, 1999.


 ADAM HALL GmbH
 Rudolf-Diesel-Str. 5
 D - 61267 Neu-Anspach
 Tel. 06081 / 94.19.0
 Fax 06081 / 43230

Neu-Anspach, 01.09.2009
Markus Jahnel
 Vertriebsleiter / Sales Manager / Chef des ventes


Geprüft

Neu-Anspach, 01.08.2009
Michael Rösch
 Qualitäts Prüfer / Quality Manager / Calidad Director

ENGLISH

DEUTSCH

FRANCAIS

ESPAÑOL

POLSKI

ITALIANO

MANUFACTURER'S DECLARATIONS:

ENGLISH

DEUTSCH

FRANCAIS

ESPAÑOL

POLSKI

ITALIANO

LIMITED WARRANTY

This Limited Warranty applies to the Adam Hall, LD Systems, Defender, Palmer and Eminence branded products.

The statutory warranty rights towards the seller are not affected by this guarantee. In fact, it justifies, additional independent warranty claims towards Adam Hall.

Adam Hall warrants that the Adam Hall product you have purchased from Adam Hall or from an Adam Hall authorized reseller is free from defects in materials or workmanship under normal use for a period of 2 or 5 years from the date of purchase.

The Limited Warranty Period starts on the date of purchase. In order to receive warranty services you are required to provide proof of the purchase date. Your dated sales or delivery receipt, showing the date of purchase, is your proof of the purchase date. Should products of the brands named above be in need of repair within the limited warranty period, you are entitled to warranty services according to the terms and conditions stated in this document.

This Limited Warranty extends only to the original purchaser of this Adam Hall branded product and is not transferable to anyone who obtains ownership of the Adam Hall branded product from the original purchaser. During the Limited Warranty Period, Adam Hall will repair or replace the defective component parts or the product. All component parts or hardware products removed under this Limited Warranty become the property of Adam Hall.

In the unlikely event that your Adam Hall product has a recurring failure, Adam Hall, at its discretion, may elect to provide you with a replacement unit of Adam Hall's choice that is at least equivalent to your Adam Hall branded product in hardware performance.

Adam Hall does not warrant that the operation of this product will be uninterrupted or error-free. Adam Hall is not responsible for damage that occurs as a result of your failure to follow the instructions included with the Adam Hall branded product.

This Limited Warranty does not apply,

- to wear parts (e.g. accumulator)
- to any product from which the serial number has been removed or that has been damaged or rendered defective as the result of an accident
- in case of, misuse, abuse, or other external causes
- by operation outside the usage parameters stated in the user's documentation shipped with the product
- by use of spare parts not manufactured or sold by Adam Hall
- by modification or service by anyone other than Adam Hall

These terms and conditions constitute the complete and exclusive warranty agreement between you and Adam Hall regarding the Adam Hall branded product you have purchased.



MANUFACTURER'S DECLARATIONS:

LIMITATION OF LIABILITY

If your Adam Hall branded hardware product fails to work as warranted above, your sole and exclusive remedy shall be repair or replacement. Adam Halls' maximum liability under this limited warranty is expressly limited to the lesser of the price you have paid for the product or the cost of repair or replacement of any hardware components that malfunction in conditions of normal use.

Adam Hall is not liable for any damages caused by the product or the failure of the product, including any lost profits or savings or special, incidental, or consequential damages. Adam Hall is not liable for any claim made by a third party or made by you for a third party.

This limitation of liability applies whether damages are sought, or claims are made, under this Limited Warranty or as a tort claim (including negligence and strict product liability), a contract claim, or any other claim. This limitation of liability cannot be waived or amended by any person. This limitation of liability will be effective even if you have advised Adam Hall of an authorized representative of Adam Hall of the possibility of any such damages. This limitation of liability however, will not apply to claims for personal injury.

This Limited Warranty gives you specific legal rights. You may also have other rights that may vary from state to state or from country to country. You are advised to consult applicable state or country laws for a full determination of your rights.

REQUESTING WARRANTY-SERVICE

To request warranty service for the product, contact Adam Hall or the Adam Hall authorized reseller from which you purchased the product.

EG-DECLARATION OF CONFIRMITY

These products meet the essential requirements as well as the further standards of the EU Directives 199/5/EU, 89/336/EU.

CORRECT DISPOSAL OF THIS PRODUCT (ELECTRICAL WASTE)

(Applicable in the European Union and other European countries with separate collection systems)



This marking shown on the product or its literature, indicates that it should not be disposed with other household wastes at the end of its working life. To prevent possible harm to the environment or human health from uncontrolled waste disposal, please separate this from other types of wastes and recycle it responsibly to promote the sustainable reuse of material resources.

Household users should contact either the retailer where they purchased this product, or their local government office, for details on where and how they can recycle this item in an environmentally friendly manner.

Business users should contact their supplier and check the terms and conditions of the purchase contract. This product should not be mixed with other commercial wastes for disposal

WEEE-DECLARATION

Your LD-Systems product was developed and manufactured with high quality materials and components which can be recycled and/or reused. This symbol indicates that electrical and electronic equipment must be disposed of separately from normal waste at the end of its operational lifetime.

Please dispose of this product by bringing it to your local collection point or recycling centre for such equipment. This will help to protect the environment in which we all live.

BATTERIES AND ACCUMULATORS

The supplied batteries or rechargeable batteries can be recycled. Please dispose of them as special waste or return them to your specialist dealer. In order to protect the environment, only dispose exhausted batteries.

Adam Hall GmbH, all rights reserved. The technical data and the functional product characteristics can be subject to modifications. The photocopying, the translation, and all other forms of copying of fragments or of the integrality of this user's manual is prohibited.



ENGLISH

DEUTSCH

FRANCAIS

ESPAÑOL

POLSKI

ITALIANO

Sie haben die richtige Wahl getroffen!

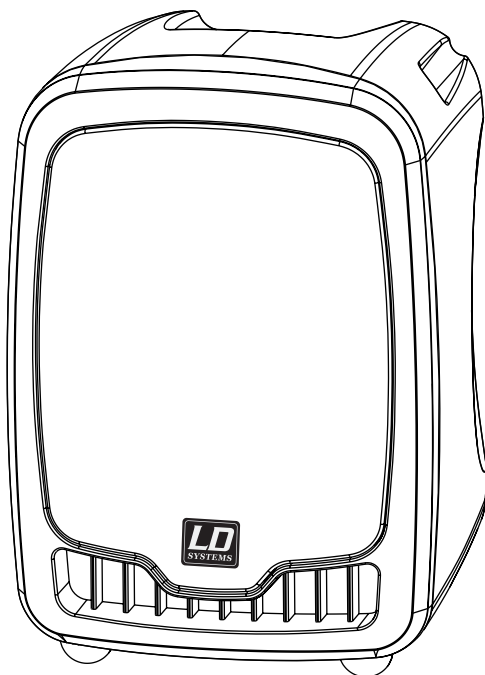
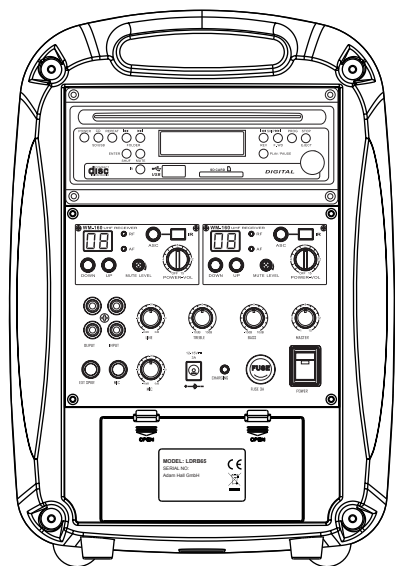
Diese LD-Systems Produkte werden Sie lange Jahre durch Zuverlässigkeit, Wirtschaftlichkeit und einfaches Handling überzeugen. Dafür garantiert LD-Systems mit seinem Namen und seiner in vielen Jahren erworbenen Kompetenz als Hersteller hochwertiger Geräte.

Nehmen Sie sich nun ein paar Minuten Zeit, diese Anleitung zu lesen. Wir möchten, dass Sie einfach und schnell in den Genuss dieser Technik kommen.

Mehr Informationen zu LD-SYSTEMS finden Sie auf unserer Internetseite WWW.LD-SYSTEMS.COM

LD ROADBOY 6.5

MOBILES SOUND-SYSTEM 25 W



ENGLISH

DEUTSCH

FRANCAIS

ESPAÑOL

POLSKI

ITALIANO

VORSICHTSMASSNAHMEN:

1. Bitte beachten Sie die Sicherheitshinweise und studieren Sie diese Anleitung sorgfältig.
2. Bewahren Sie alle Hinweise und Anleitungen sicher auf.
3. Verwenden Sie das Gerät nur in der vorgesehenen Art und Weise.
4. Beachten die in Ihrem Land geltenden Entsorgungsgesetze. Trennen Sie bei der Entsorgung bitte Plastik und Papier bzw. Kartonagen von einander.
5. Sollte Ihr Gerät nicht mehr ordnungsgemäß funktionieren, Flüssigkeiten ausgesetzt werden oder auf sonstige Art und Weise beschädigt sein, überlassen Sie bitte jegliche Reparaturen ausschließlich autorisiertem Fachpersonal.
6. Halten Sie das Gerät von Hitzequellen wie z.B. Ofen, Heizkörper, oder sonstige Quellen (auch Verstärker) fern. Sorgen Sie dafür dass das Gerät immer so installiert ist, dass es ausreichend gekühlt wird und nicht überhitzt.
7. Überprüfen Sie alle Verbindungen nach dem Sie das Gerät angeschlossen haben um Schäden oder Unfälle zu vermeiden.
8. Verwenden Sie ausschließlich stabile und passende Stative bzw. Befestigungen wenn das Gerät fest installiert wird. Stellen Sie sicher, dass das Gerät sicher installiert ist und nicht herunterfallen kann.



ACHTUNG:

Entfernen Sie niemals die Abdeckung, da sonst die Gefahr eines elektrischen Schocks besteht. Im Inneren des Gerätes befinden sich keine Teile, die vom Bediener gewartet oder repariert werden können. Lassen Sie Reparaturen ausschließlich von qualifiziertem Servicepersonal durchführen.



Dieses Symbol warnt vor nichtisolierten, gefährlichen Spannungen im Geräteinneren, die einen gefährlichen Schlag verursachen können.



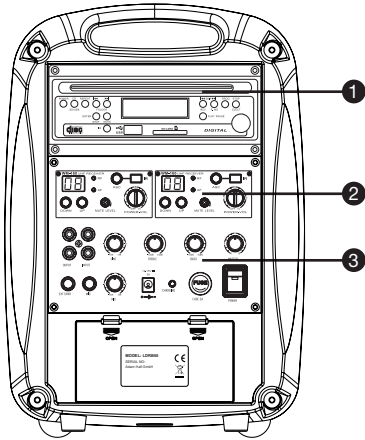
Dieses Symbol kennzeichnet wichtige Bedienungs- und Wartungshinweise.

Vorsicht! Hohe Lautstärke!

Diese Übertragungsanlage wird von Ihnen professionell eingesetzt. Daher unterliegt der Gebrauch bei gewerblicher Nutzung den Regeln und Vorschriften der zuständigen Berufsgenossenschaft. Adam Hall als Hersteller ist daher verpflichtet, Sie auf möglicherweise bestehende gesundheitliche Risiken ausdrücklich hinzuweisen.

Mit diesen LAUtsprechern können hohe Schalldrücke erzeugt werden. 85db ist der Schalldruck, der laut Gesetz als maximal zulässiger Wert über die Dauer eines Arbeitstages auf Ihr Gehör einwirken darf. Er wird nach den Erkenntnissen der Arbeitsmedizin als Beurteilungspegel zu Grunde gelegt. Höhere Lautstärken oder längere Einwirkzeit können Ihr Gehör schädigen. Bei höheren Lautstärken muss die Hörzeit verkürzt werden, um eine Schädigung auszuschließen. Sichere Warnsignale dafür, dass Sie sich zu lange zu lautem Geräusch ausgesetzt haben, sind:

- Sie hören Klingel- oder Pfeifgeräusche in den Ohren!
- Sie haben den Eindruck, hohe Töne nicht mehr wahrzunehmen!



1 CD-PLAYER

Digitaler Slot-In-CD-Player mit USB-Speicherstick-Eingang und Steckplatz für SD-Karte. CD-Player mit Anti-Shock-Funktionalität. Unterstützte Dateiformate (CD-Player, USB-Player, SD-Kartenlesegerät): Audio CD, MP3, WMA. (Änderungen vorbehalten!)

2 FUNKEMPFÄNGER-MODUL

Der Roadboy 6.5 ist mit einem Funkempfänger ausgestattet. Wenn Sie zwei Funkmikrofone gleichzeitig einsetzen möchten, besteht die Möglichkeit, ein zweites Empfängermodul zu installieren.

3 BEDIENBEREICH

Lautstärkeregler: Master, Mic (kabelgebunden), Line-
EQ: Bass, Treble

Ein- und Ausgänge

Aktiver Ausgang für externen Lautsprecher

LED-Anzeige: Akku-Ladestatus niedrig (rot), Akku wird geladen (grün blinkend), Akku voll geladen (grün)

SYSTEMKOMPONENTEN:

ENGLISH

DEUTSCH

FRANCAIS

ESPAÑOL

POLSKI

ITALIANO

Roadboy



Handmikrofon



Netzteil



Fernbedienung



Abbildung ähnlich

OPTIONALES ZUBEHÖR:

Transporttasche (LDSB21)



Taschensender (LDWS1616BP)



Zusätzlicher Empfänger (LDRM102R)



Headset-Mikrofon, schwarz (LDWS100MH1)



Headset-Mikrofon, hautfarben (LDWS100MH3)



Lautsprecherstativ (SPS56B)



ENGLISH

DEUTSCH

FRANCAIS

ESPAÑOL

POLSKI

ITALIANO

CD-PLAYER:

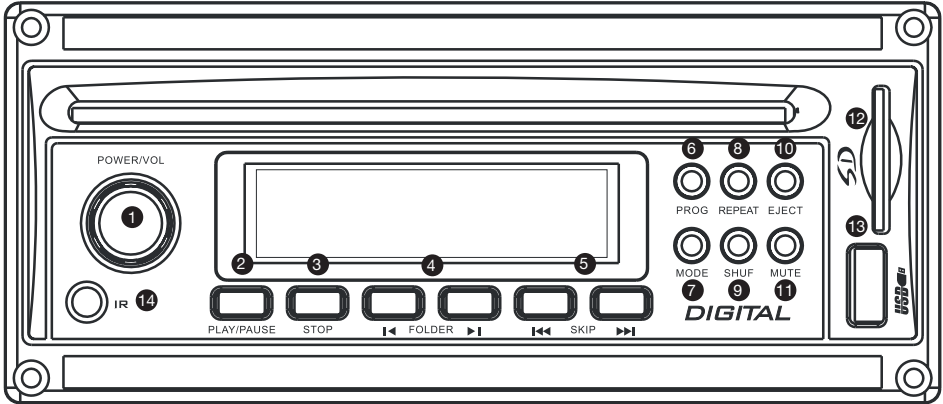


Abbildung ähnlich

- 1 POWER/VOL**
Ein/Aus, Lautstärkeregler
- 2 PLAY / PAUSE**
- 3 STOP**
Stop, zurück zum Hauptmenü
- 4 FOLDER**
Verfügbar in USB-, MP3 CD- und SD-Karten-Modus
Stop-Modus: Verwenden Sie die FOLDER-Tasten (LINKS/RECHTS), um den vorhergehenden/nächsten Ordner auszuwählen.
Play-Modus: Verwenden Sie die FOLDER-Tasten (LINKS/RECHTS), um die erste Datei des vorhergehenden/nächsten Ordners auszuwählen.
- 5 SKIP (LINKS/RECHTS)**
Im Play- und Stop-Modus wählen Sie über die SKIP-Tasten (LINKS/RECHTS) den vorhergehenden/nächsten Track aus.
Im Play-Modus können Sie die SKIP-Tasten durch Gedrückthalten für den schnellen Vorlauf (Fast Forward, rechte SKIP-Taste) oder schnellen Rücklauf (Fast Reverse, linke SKIP-Taste) innerhalb eines Tracks nutzen.
- 6 PROG**
Funktion nicht verfügbar
- 7 MODE**
Drücken Sie diese Taste, um zwischen den Modi SD, USB und CD zu wechseln.
- 8 REPEAT**
Drücken Sie diese Taste ein Mal, um den aktuellen Track zu wiederholen.
Drücken Sie diese Taste zwei Mal, um alle Tracks zu wiederholen.
- 9 SHUF**
Zufallswiedergabe
- 10 EJECT**
CD auswerfen
- 11 MUTE**
Schaltet den SD-/USB-/CD-Player stumm.
- 12 SD-KARTEN-STECKPLATZ**
- 13 USB 2.0**
Steckplatz für Speicherstick
- 14 IR**
Infrarot-Empfänger für Fernsteuerung

Änderungen vorbehalten!

FERNBEDIENUNG:

ENGLISH

DEUTSCH

FRANCAIS

ESPAÑOL

POLSKI

ITALIANO

Der Roadboy 6.5 ist mit zwei fernsteuerbaren Infrarot-Empfängermodulen ausgestattet, einem auf der Vorderseite und einem auf der Rückseite. Auf diese Weise können Sie die Fernsteuerung vor und hinter dem Lautsprecher nutzen.

Funktionen:

- Play
- Stop
- Pause
- Next track
- Previous track

Änderungen vorbehalten!

Unsere Produkte unterliegen einem kontinuierlichen Prozess der Entwicklung und Verbesserung. Daher bleiben Änderungen technischer Eigenschaften ohne Weiteres vorbehalten.

FERNBEDIENUNG CD-BEREICH:

ENGLISH

16 ZOOM:
Funktion nicht verfügbar

17 VOL+ / VOL-:
Anheben oder Absenken der Lautstärke.

18 LOC / RDM:
LOC-/RDM-Taste, Zufallswiedergabe

19 SEL:
Drücken Sie diese Taste, um zwischen den Modi SD, USB und CD zu wechseln.

20 I◀◀ / ▶▶:
Im Play- und Stop-Modus wählen Sie über die SKIP-Tasten (LINKS/RECHTS) den vorhergehenden/nächsten Track aus.
Im Play-Modus können Sie die SKIP-Tasten durch Gedrückthalten für den schnellen Vorlauf (rechte SKIP-Taste) oder schnellen Rücklauf (linke SKIP-Taste) innerhalb eines Tracks nutzen.

21 PBC:
Funktion nicht verfügbar

22 OSD:
Verfügbar im Audio-CD-Modus.
OSD-Taste nicht gedrückt: Display zeigt Track-Laufzeit an.
Einmaliges Drücken:
Display zeigt Restlaufzeit des aktuellen Tracks an.
Zweimaliges Drücken:
Display zeigt Gesamtlaufzeit der CD an.
Dreimaliges Drücken:
Display zeigt Restlaufzeit der CD an.

23 AUDIO (STEREO LINKS/RECHTS): Funktion nicht verfügbar

24 1 BIS 10 +:
Funktion nicht verfügbar

25 GOTO:
Funktion nicht verfügbar

DEUTSCH

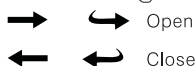
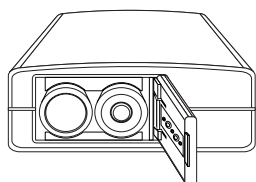
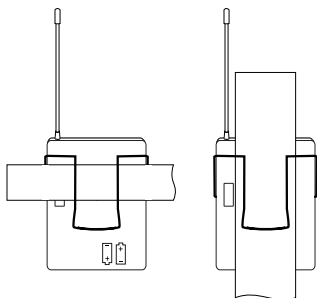
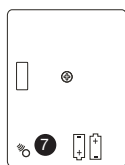
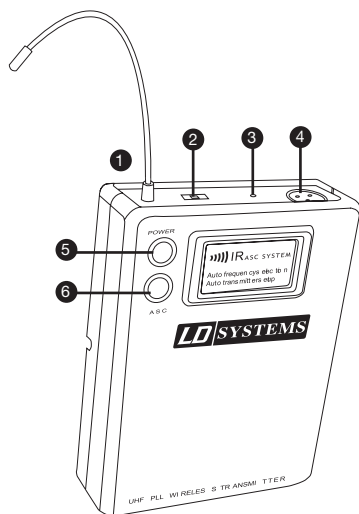
FRANÇAIS

ESPAÑOL

POLSKI

ITALIANO

TASCHESENSENDER:



1 ANTENNE

2 GAIN-EINSTELLUNG

Mic: Mikrofon

0: Gitarre mit passiven Tonabnehmern

-10 dB: Gitarre mit aktiven Tonabnehmern

3 POWER-LED

Grün: Betrieb

Rot: Batteriestatus niedrig

Rot blinkend: Infrarot-Übertragung aktiv

4 MIKROFON-EINGANG (MINI-XLR)

5 POWER-TASTE (EIN/AUS)

6 SYNC-TASTE (ACTIVATE SYNC)

Drücken Sie diese Taste, um die Infrarotverbindung zwischen Sender und Empfänger zu aktivieren.

7 IR-SCHNITTSTELLE

Empfängt die vom Empfänger ausgesendeten Infrarot-Frequenzen zur Synchronisation von Sender und Empfänger.

SO BEFESTIGEN SIE DEN TASCHESENSENDER

Befestigen Sie den Taschensender an einem Gürtel oder Gurt. Für optimalen Halt schieben Sie den Clip des Taschensenders so weit wie möglich auf den Gürtel bzw. Gurt.

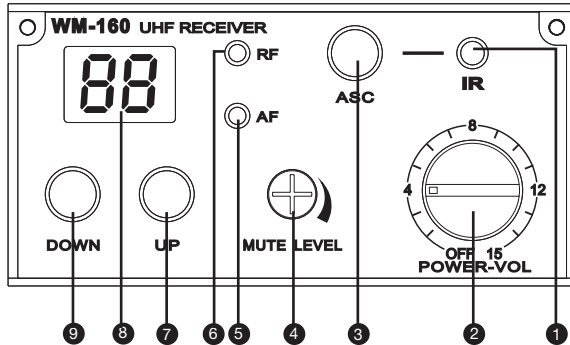
Gitarristen haben die Möglichkeit, den Gitarrenzug direkt durch den Clip zu führen.

AUSTAUSCH DER BATTERIEN

Die durchschnittliche Lebensdauer zweier Alkali-Batterien beträgt 8 Stunden.

Wenn die Batterie-Statusanzeige rot blinkt, sollten sie die Batterien sofort austauschen (siehe Abbildung links). Bitte legen Sie 2 Alkali-Batterien vom Typ "AA" (LR6, 1,5 V) ein.

FUNKEMPFÄNGERMODUL:



1 IR-FENSTER

Sendet Infrarot-Signale zur Frequenzsynchronisation an den Sender (Handmikrofon).

2 POWER

Ein-/Ausschalter und Lautstärkeregler

3 ASC

Wählen Sie am Empfänger die Übertragungsfrequenz aus und drücken Sie anschließend die ASC-Taste, um Sender und Empfänger zu synchronisieren. Richten Sie das IR-Fenster (Infrarotschnittstelle) des Mikrofons vor das IR-Fenster des Empfängers. (Synchronisation mit Taschensender: Drücken Sie am Taschensender und am Empfänger die Taste "ASC", um die Synchronisation zu aktivieren.)

4 MUTE LEVEL

Scquelch-Einstellung am Empfänger:
Die Scquelch-Funktion dient der Rauschunterdrückung, wenn der Sender ausgeschaltet ist oder der Empfänger kein hinreichend starkes Signal vom Sender empfangen kann.
Der Scquelch-Wert (Mute-Pegel) des Empfängers ist bereits ab Werk optimal eingestellt. Normalerweise ist keine weitere Justierung mehr erforderlich. Sollte doch einmal eine Nachjustierung notwendig

sein, stellen Sie den Scquelch-Wert so ein, dass der Empfänger nicht rauscht, wenn der Sender abgeschaltet ist. Auf diese Weise lassen sich Störgeräusche (Interferenzen) wirksam unterdrücken – unter bestimmten Umständen kann sich allerdings auch die Sendereichweite verringern. Je mehr der Scquelch-Wert reduziert wird, desto stärker können Störgeräusche die Übertragungsqualität beeinträchtigen. Andererseits kann sich jedoch die Reichweite des Systems erhöhen.

5 AF

Zeigt an, ob das Modul ein Audiosignal empfängt.

6 RF

Zeigt an, ob das Modul ein Funksignal (HF-Signal) empfängt.

7 UP

Kanal aufwärts

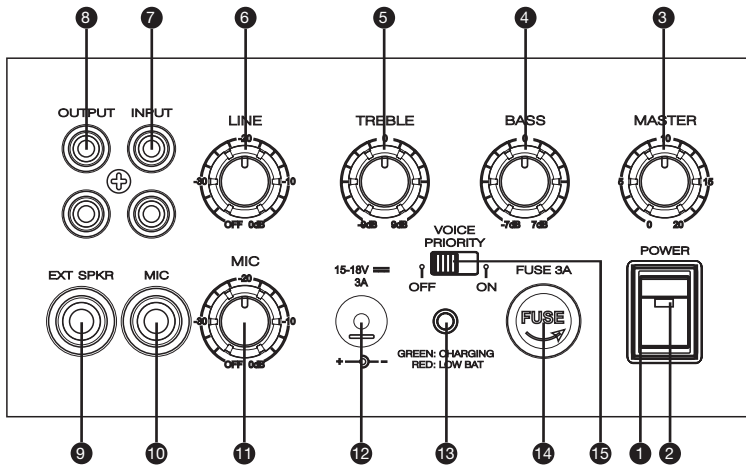
8 DIGITAL-DISPLAY

Digitale Kanalanzeige

9 DOWN

Kanal abwärts

BEDIENBEREICH:



1 POWER-SCHALTER

Haupt-Netzschalter (Ein-/Aussschalter des gesamten Systems)

2 LED-ANZEIGE

Leuchtet rot, wenn das System in Betrieb ist (eingeschaltet).

3 MASTER VOLUME

Haupt-Lautstärkereger des Systems

4 BASS

Klangregler für den Bassbereich (Tiefen)

5 TREBLE

Klangregler für den Hochtonbereich (Höhen)

6 LINE VOLUME

Lautstärkereger für den Line-Eingang (Cinch)

7 LINE-IN (CINCH)

8 LINE-OUT (CINCH)

9 EXTERNER LAUTSPRECHER-AUSGANG

An diesen Ausgang können Sie einen zusätzlichen passiven Lautsprecher anschließen. Bei Belegung dieses Ausgangs kommt der Ton sowohl aus dem Roadboy als auch aus dem passiven Zusatz-Lautsprecher (Impedanz min. 4 Ω).

10 MIKROFON-EINGANG

11 LAUTSTÄRKEREGLER MIKROFON

12 ANSCHLUSS NETZTEIL

13 AKKU-STATUSANZEIGE

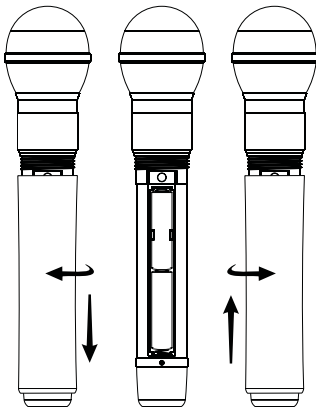
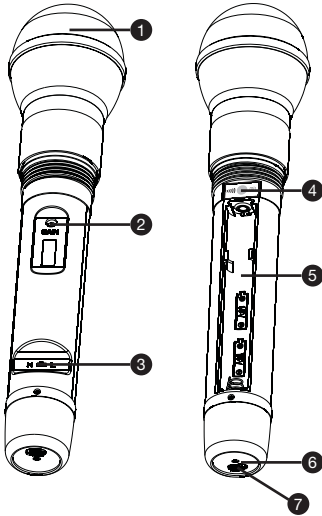
LED-Anzeige: Akku-Ladestatus niedrig (rot), Akku wird geladen (grün blinkend), Akku voll geladen (grün)

14 SICHERUNG (3 A)

15 "VOICE PRIORITY"-SCHALTER

Bei Musikwiedergabe bewirkt die "Voice Priority"-Funktion eine automatische Reduktion der Musikkautstärke, wenn das Mikrofon angesprochen wird. Sobald Sie aufhören zu sprechen, wird die Musikkautstärke automatisch wieder angehoben. Diese Funktion wird auch als "Talkover" (oder "Ducking") bezeichnet.

HANDESENDER:



1 MIKROFONKORB

2 GAIN

Mit diesem Regler steuern Sie die Empfindlichkeit des Mikrofons (Drehung nach links reduziert die Empfindlichkeit, Drehung nach rechts erhöht sie). Die Empfindlichkeit ist bereits ab Werk (für die meisten Anwendungen) optimal eingestellt.

3 RF-SCHALTER (FUNKSIGNAL)

"H" steht für "High" (starkes Signal), "L" für "Low" (schwaches Signal).

4 IR-SCHNITTSTELLE

Empfängt die vom Empfänger ausgesendeten Infrarot-Frequenzen zur Synchronisation von Sender und Empfänger.

5 BATTERIEFACH

Bitte legen Sie 2 Alkali-Batterien vom Typ "AA" (LR 6, 1,5 V) ein.

6 POWER/ASC

LED leuchtet grün: Mikrofon eingeschaltet
LED blinkt grün: Infrarot-Übertragung aktiv
LED blinkt rot: Batteriestatus niedrig

7 EIN-/AUSSCHALTER

AUSTAUSCHEN DER BATTERIEN

Die Batterielebensdauer beträgt ungefähr 8 Stunden. Wenn die Batteriestatus-LED blinkt, tauschen Sie die Batterien bitte sofort aus.

SYSTEMEINSTELLUNGEN UND BEDIENUNG:

ENGLISH

DEUTSCH

FRANCAIS

ESPAÑOL

POLSKI

ITALIANO

DER EINGANG FÜR DRAHTGEBUNDENE MIKROFONE

Schließen Sie den 6,3-mm-Klinkenstecker Ihres Mikrofonskabels an den mit MIC gekennzeichneten Klinkeneingang an. Dieser Eingang befindet sich auf der Rückseite des Roadboy. Stellen Sie sicher, dass das andere Ende des Kabels korrekt mit dem Mikrofon verbunden ist. Wenn Ihr Mikrofon über einen Ein-/Ausschalter verfügt, schalten Sie das Mikrofon bitte ein. Stellen Sie mittels des MIC-Gain-Reglers den optimalen Mikrofonpegel (im Verhältnis zum Line-Pegel) ein. Ein zu hoher Mikrofonpegel kann Verzerrungen (Übersteuerung) verursachen.

DAS FUNKEMPFÄNGER-MODUL

Stellen Sie zu Beginn den MASTER-Lautstärkereger des Roadboy auf "0". Anschließend drehen Sie den POWER-VOL-Regler des Funkempfänger-Moduls in Mittelstellung ("zwölf Uhr"). Nun können Sie den Sender (Handmikrofon oder Taschensender) mit Hilfe der ASC-Funktion mit dem integrierten Empfänger synchronisieren. Drücken Sie die ASC-Taste des Funkempfänger-Moduls; die ASC-LED blinkt rot.

Wenn Sie einen Handsender einsetzen: Der Infrarot-Sensor (IR) befindet sich im Batteriefach unterhalb der Kapsel. Halten Sie ihn nah an den IR-Sensor des Funkempfänger-Moduls.

Wenn Sie einen Taschensender einsetzen: Es ist erforderlich, dass Sie die ASC-Funktion auch am Taschensender aktivieren. Halten Sie dann den Infrarot-Sensor des Taschensenders ("IR", auf der Rückseite) nah an das IR-Fenster des Funkempfänger-Moduls. Die Synchronisation dauert einige Sekunden. Falls Sie ein zweites Funk-Modul (optional) installiert haben, vergewissern Sie sich bitte, dass nicht beide Module auf derselben Frequenz betrieben werden (siehe Frequenzliste). So vermeiden Sie Interferenzen. Das Blinken der "RF"-LED zeigt an, dass Ihr System funktioniert und die Synchronisation erfolgreich war. Nun können Sie den MASTER-Lautstärkereger Ihres Roadboy auf die gewünschte Lautstärke einstellen.

Der maximale Abstand zwischen Funkmikrofon (oder Taschensender) und dem Empfänger-Modul beträgt ca. 60 m im freien Feld.

DER "EXT. SPEAKER" -AUSGANG

Verwenden Sie für den Anschluss eines externen Lautsprechers ein Lautsprecherkabel mit 6,3-mm-Klinkenstecker. Der Lautsprecher sollte eine Impedanz zwischen 4 und 8 Ohm sowie eine Mindestausgangsleistung von 25 W aufweisen.

SO LADEN SIE DEN AKKU DES ROADBOY

Schließen Sie das im Lieferumfang des Roadboy enthaltene Netzteil (16 V / 3 A) an, wenn Sie das System ohne Akku betreiben oder den Akku aufladen möchten. Die Ladezeit beträgt 8 Stunden. Wenn der Akku vollständig aufgeladen ist, wird der Ladevorgang automatisch beendet. Sie können den Roadboy auch am Stromnetz angeschlossen lassen und ihn so lange betreiben, wie Sie es möchten.

WICHTIGER HINWEIS!

Wenn Sie den Akku neu einlegen oder ersetzen, beachten Sie bitte UNBEDINGT die Polarität! Rot = + (plus) // Schwarz = - (minus).

Vor der ersten Inbetriebnahme des Roadboy sollte der integrierte Akku 15 Stunden geladen werden. Dies verlängert die Lebensdauer und die Kapazität des Akkus und sollte alle 2-3 Monate wiederholt werden. Vor diesem Ladevorgang sollte der Akku vollständig entladen sein.

TECHNISCHE DATEN:

BASIC SPECIFICATIONS

Output power: MAX 25 W RMS / 4 Ω
Frequency response: 80 Hz - 15 kHz
Maximum sound pressure: 110 dB
Speaker: 6.5 - inch full range
Power: 200 V - 250 V Switching power supply
DC 16 V / 3 A
Batteries: 12 V / 2.9 AH
THD: <0,5 %
Size (W x H x D): 300 x 200 x 230 mm
Weight: 5 kg
Receiver module: 863 - 865 MHz
Operating time: 5 hours

RECEIVER

Channels: 16
Carrier frequency range: 863 - 865 MHz
Audio bandwidth: 60 Hz - 16 kHz
THD: <1%
Signal/noise ratio: >100 dB
Modulation: FM
Dimensions: 212 x 160 x 44 mm
Net weight: 860 g
Power requirements: 12 - 18 V DC / 300 mA,
ext. power supply

HANDHELD TRANSMITTER

Channels: 16
Carrier frequency range: 863 - 865 MHz
Capsule type: Dynamic
Polar pattern: Cardioid
RF Output power: 10 mW
Audio bandwidth: 60 Hz - 16 kHz
Signal/noise ratio: >102 dB
Modulation: FM
Dimensions: 235 x 54 mm
Net weight: 280 g
Power requirements: 2 x „AA“ -batteries
Battery Life: >10 hours

BELT PACK TRANSMITTER

Channels: 16
Carrier frequency range: 863 - 865 MHz
RF Output power: 6 mW
Max. input level: 6 mV
Audio bandwidth: 60 Hz - 16 kHz
Signal/noise ratio: >102 dB
Modulation: FM
Dimensions: 85 x 65 x 24 mm
Net weight: 80 g
Power requirements: 2 x „AA“ -batteries
Battery Life: >10 hours, depending on batteries

Since all our products are constantly controlled and improved, technical changes are possible without prior notice.

TECHNISCHE DATEN:

LDWS1616 / Roadman / Roadboy

Frequenzliste für intermodulationsfreien Einsatz von bis zu drei Funkmikrofonen gleichzeitig.

Nr.	Frequenz (MHz)	Gleichzeitig
1	863,100	X
2	863,900	
3	864,500	
4	864,900	
5	863,200	
6	863,300	
7	863,400	
8	863,500	
9	863,600	
10	863,700	X
11	863,800	
12	864,000	
13	864,100	X
14	864,200	
15	864,300	
16	864,400	

ENGLISH

DEUTSCH

FRANCAIS

ESPAÑOL

POLSKI

ITALIANO



EC Declaration of Conformity EG Konformitäts-Erklärung Déclaration CE de Conformité

We / Wir / Nous **Adam Hall GmbH**
Daimlerstr. 9
D- Neu-Anspach

declare in exclusive responsibility that the product
erklären in alleiniger Verantwortung, dass das Produkt
déclarons sous notre seule responsabilité que le produit

Model **LD Portable PA Systems**
Modell **LD Portable PA Systems**
modèle **LD Portable PA Systems**

Type / Typenbezeichnung / type

LD Roadmen / Roadboy

to which this declaration relates is in conformity with the following standards:
auf das sich diese Erklärung bezieht, mit den folgenden Normen übereinstimmt:
auquel se réfère cette déclaration est conforme aux normes:

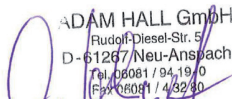
EN 50371
EN 60065: 2002
EN 300422-1
EN 300422-2
EN 301489-1
EN 301489-9

following the provisions of directive
gemäß den Bestimmungen der Richtlinie
conformément aux dispositions de directive

89 / 336 / EEC (Electromagnetic compatibility)
(Elektromagnetische Verträglichkeit)

73 / 23 / EEC (Low Voltage Equipment)
(Niederspannungsrichtlinie)

1999/5/EC European R&TTE Directive 1999/5/EC of 9th March, 1999.


ADAM HALL GmbH
Rudolf-Diesel-Str. 5
D - 61267 Neu-Anspach
Tel. 06081 / 94.19.0
Fax 06081 / 43230

Neu-Anspach, 01.09.2009

Markus Jahnel

Vertriebsleiter / Sales Manager / Chef des ventes


Geprüft

Neu-Anspach, 01.08.2009

Michael Rösch

Qualitäts Prüfer / Quality Manager / Calidad Director

ENGLISH

DEUTSCH

FRANCAIS

ESPAÑOL

POLSKI

ITALIANO

HERSTELLERERKLÄRUNGEN:

GARANTIEBESTIMMUNGEN

Diese Garantie erstreckt sich auf die Marken Adam Hall, LD Systems, Defender, Palmer und Eminence.

Die gesetzlichen Gewährleistungsrechte gegenüber dem Verkäufer werden von dieser Garantie nicht berührt. Vielmehr begründet diese Garantie zusätzliche selbständige Ansprüche gegenüber Adam Hall.

Mit dieser Garantie stellt Adam Hall sicher, dass das von Ihnen bei Adam Hall oder einem Adam Hall Partner erworbene Produkt bei normalem Gebrauch während des Zeitraums von 2 bzw. 5 Jahren ab Kaufdatum frei von Material- oder Verarbeitungsfehlern ist.

Der Garantiezeitraum beginnt mit dem Datum des Kaufs.

Der Geltendmachung eines Anspruchs auf Garantieleistungen erforderliche Nachweis des Kaufdatums, erfolgt durch die mit dem Kaufdatum versehene Quittung oder den mit dem Kaufdatum versehenen Lieferschein. Sie haben Anspruch auf den Garantieservice zu den in diesem Dokument aufgeführten Bedingungen und Bestimmungen, falls eine Reparatur der unter den oben genannten Marken vertriebenen Produkte innerhalb des Garantiezeitraums erforderlich ist.

Diese Garantie gilt nur für den ursprünglichen Käufer des von Adam Hall vertriebenen Produkts und ist nicht an Personen übertragbar, denen vom ursprünglichen Käufer das Eigentum am Adam Hall Produkt übertragen wird. Innerhalb des Garantiezeitraums werden die fehlerhaften Komponenten oder das Produkt von Adam Hall repariert oder ersetzt. Alle im Rahmen dieser Garantie entfernten Komponenten und Hardware-Produkte gehen in das Eigentum von Adam Hall über.

In dem unwahrscheinlichen Fall, dass bei dem von Ihnen erworbenen Adam Hall Produkt ein Fehler wiederholt auftritt, kann Adam Hall nach eigenem Ermessen entscheiden, Ihnen dieses Produkt durch ein vergleichbares Produkt mit mindestens derselben Leistung zu ersetzen.

Adam Hall übernimmt keine Garantie für einen störungs- oder fehlerfreien Betrieb dieses Produkts. Adam Hall übernimmt keine Verantwortung für auf eine inkorrekte Befolgung der im Lieferumfang des Adam Hall enthaltenen Anweisungen zurückzuführenden Schäden.

Diese Garantie erstreckt sich nicht auf

- Verschleißteile (z.B. Akkumulator).
- Geräte deren Seriennummer entfernt wurde oder die beschädigt oder fehlerhaft wurden als Folge eines Unfalls.
- nicht sachgerechter oder missbräuchlicher Verwendung oder anderer missbräuchlicher Verwendung oder anderer äußerer Ursachen.
- Geräte die nicht entsprechend den Betriebsparametern betrieben wurden, die in den im Lieferumfang des Produkts enthaltenen Benutzerunterlagen festgelegt sind.
- Geräte die aufgrund der Verwendung nicht von Adam Hall hergestellter oder vertriebener Teile repariert wurden.
- Geräte die durch Änderung oder Wartung durch jemand anderen als Adam Hall getätigt wurde.

Diese Bestimmungen und Bedingungen stellen die vollständige und ausschließliche Garantievereinbarung zwischen Ihnen und Adam Hall für das von Ihnen erworbene Adam Hall Produkt dar.

HERSTELLERERKLÄRUNGEN:

ENGLISH

DEUTSCH

FRANÇAIS

ESPAÑOL

POLSKI

ITALIANO

HAFTUNGSBESCHRÄNKUNG

Wenn das unter der Marke Adam Hall vertriebene Produkt nicht entsprechend der obigen Garantie funktioniert, besteht Ihr alleiniger und ausschließlicher Anspruch aus dieser Garantie in der Reparatur oder dem Ersatz. Weitergehende Gewährleistungsansprüche bleiben hiervon unberührt. Die maximale Haftung von Adam Hall im Rahmen dieser Garantie ist ausdrücklich beschränkt auf den jeweils niedrigeren Betrag, der sich entweder aus dem Kaufpreis für das Produkt oder aus den Reparatur- bzw. Ersatzkosten von Hardware-Komponenten, die bei normalem Gebrauch nicht Ordnungsgemäß funktionieren, ergibt.

Adam Hall haftet aus dieser Garantie nicht für durch das Produkt oder sein versagen verursachte Schäden, einschließlich entgangener Gewinne, unterbliebener Einsparungen oder besonderer, indirekter oder Folgeschäden. Adam Hall haftet zudem nicht für von Dritten oder von ihnen für Dritte geltend gemachte Ansprüche.

Diese Haftungsbeschränkung gilt unabhängig davon, ob Schäden gerichtlich verfolgt werden, ob Schadenersatzansprüche im Rahmen dieser Garantie oder aufgrund unerlaubter Handlungen (Einschließlich Fahrlässigkeit und Gefährdungshaftung) oder aufgrund vertraglicher bzw. sonstiger Ansprüche gestellt werden. Diese Haftungsbeschränkung kann von keiner Person aufgehoben oder ergänzt werden. Diese Haftungsbeschränkung gilt auch dann, wenn sie Adam Hall über die Möglichkeit derartiger Schäden informiert haben. Sie gilt jedoch nicht für Ansprüche aus Personenschäden.

Aus dieser Garantie ergeben sich für Sie bestimmte Rechte. Möglicherweise haben Sie weitere Rechte, die Ihnen von Staat zu Staat und von Land zu Land unterschiedlich sein können. Es ist ratsam, die entsprechenden Gesetze des Staates bzw. Landes heranzuziehen, um Ihre Rechte umfassend zu ermitteln.

INANSPRUCHNAHME DES REPARATURSERVICE

Um den Garantieservice bzw. Reparaturservice für das Produkt in Anspruch zu nehmen, wenden Sie sich bitte an Adam Hall oder an einen Adam Hall Partner, bei dem Sie das Produkt erworben haben.

EG-KONFORMITÄTSERKLÄRUNG

Diese Geräte entsprechen den grundlegenden Anforderungen und den weiteren Vorgaben der Richtlinien 1999/5/EU, 89/336/EU und 73/23/EU.

KORREKTE ENTSORGUNG DIESES PRODUKTES

(Gültig in der Europäischen Union)



Dieses Symbol (entweder auf dem Gerät oder dem dazugehörigen Handbuch) weist darauf hin, dass das Gerät nicht mit dem normalen Hausmüll entsorgt werden darf. Um mögliche Schäden an der Umwelt und an Personen zu verhindern, entsorgen Sie dieses Gerät bitte fachgerecht bei einer entsprechenden Stelle für Elektromüll.

Als Privatkunde informieren Sie sich bitte beim Hersteller oder bei Ihrer Gemeinde über die Möglichkeiten der korrekten Entsorgung.

Als Geschäftskunde kontaktieren Sie bitte Ihren Lieferanten und prüfen Sie die Konditionen zur Entsorgung der Geräte. Dieses Produkt sollte nicht mit anderem gewerblichen Abfall entsorgt werden.

WEEE-DEKLARATION



Ihr LD-Systems Produkt wurde unter der Verwendung hochwertiger Materialien und Komponenten die wiederverwertet oder wieder verwendet werden können hergestellt. Dieses Symbol weist darauf hin, dass elektronische Geräte nicht im normalen Hausmüll entsorgt werden dürfen. Entsorgen Sie dieses Gerät bitte fachgerecht bei einer entsprechenden Stelle für Elektromüll und helfen Sie dabei unsere Umwelt zu schützen.

BATTERIEN UND AKKUS



Die mitgelieferten Batterien können wiederverwertet werden. Werfen Sie die Batterien daher nicht in den normalen Hausmüll sondern in gesonderte dafür vorgesehene Container. Helfen Sie, unsere Umwelt sauber zu halten.

ENGLISH

DEUTSCH

FRANCAIS

ESPAÑOL

POLSKI

ITALIANO



ENGLISH

DEUTSCH

FRANCAIS

ESPAÑOL

POLSKI

ITALIANO

Merci d'avoir choisi LD-Systems!

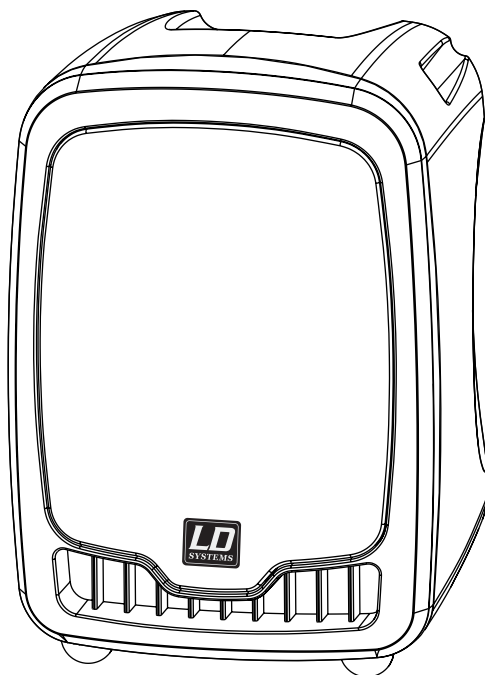
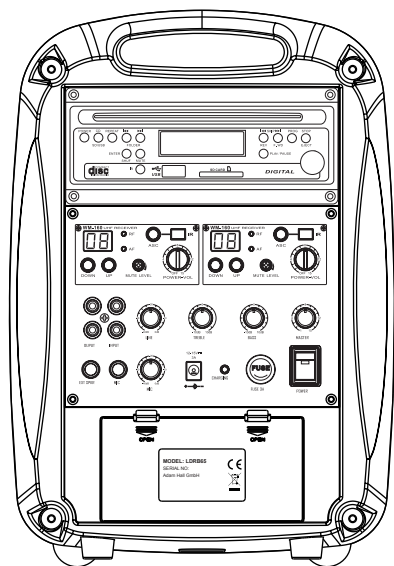
Nous avons conçu ce produit afin de vous offrir un matériel fiable, qui vous accompagnera durant de longues années. En achetant l'un des produits de la marque LD-Systems vous bénéficiez de notre compétence reconnue et de nos nombreuses années d'expérience en tant que fabricant. Notre nom est notre garantie.

Veuillez s'il-vous-plait prendre quelques minutes pour lire attentivement ces instructions d'utilisation car nous souhaitons que vous puissiez profiter pleinement et au plus vite de votre matériel LD-Systems.

Pour plus d'informations sur LD-Systems venez visiter notre site WWW.LD-SYSTEMS.COM

LD ROADBOY 6.5

SYSTÈME DE SONORISATION PORTABLE 25 W



ENGLISH

DEUTSCH

FRANCAIS

ESPAÑOL

POLSKI

ITALIANO

PRÉCAUTIONS D'UTILISATION :

1. Veuillez lire attentivement les précautions d'utilisation et les instructions suivantes.
2. Veuillez conserver ce manuel d'utilisation.
3. Veuillez utiliser cet appareil uniquement conformément à son but d'utilisation initial.
4. Veuillez respecter les règles de traitement des déchets. Veuillez s'il-vous-plait séparer les déchets plastiques des déchets papiers et les déposer dans un bac à ordures adéquat.
5. En cas de panne, de dommage, d'exposition de l'appareil à la pluie ou autres liquides, veuillez contacter une personne qualifiée pour le service après-vente de nos produits.
6. Veuillez ne pas exposer ce produit à des sources de chaleur, telles que les fours, les radiateurs ou tout autre appareil produisant de la chaleur (notamment les amplificateurs de puissance). Pour éviter les risques de surchauffe veuillez à ce que l'appareil ne soit pas placé trop près d'un mur, ou enfermé dans un boîtier, pour que la circulation de l'air ne soit pas obstruée.
7. Après avoir connecté votre appareil veuillez inspecter le câblage pour éviter les risques d'accident ou d'avarie. Veuillez ne jamais utiliser de câbles endommagés.
8. Veuillez utiliser uniquement les accessoires et supports de fixation fournis ou recommandés par le constructeur. Assurez vous de la stabilité de votre installation avant d'utiliser votre matériel, vous éviterez les risques de chutes et donc de dommages de l'appareil.
9. Apparition d'interférences lors de l'usage de systèmes HF sans fil.
L'utilisation simultanée de micros sans fil et de téléphones portables (si les deux appareils sont peu éloignés l'un de l'autre) peut générer des interférences au niveau du microphone. Ces interférences sont audibles dans les haut-parleurs de votre système de sonorisation lorsque le système sans fil y est relié.



DANGER:

Pour réduire les risques de choc électrique veuillez ne pas retirer le couvercle (ou la face arrière) de l'appareil. Les pièces situées à l'intérieur de l'appareil ne doivent pas être manipulées par l'utilisateur. Veuillez contacter exclusivement une personne qualifiée pour le service après-vente de nos produits.



L'éclair finissant par une flèche, entouré d'un triangle équilatéral vous indique la présence à l'intérieur du boîtier de pièces non isolées, représentant un risque de "haute tension électrique" et pouvant par conséquent blesser les personnes.



Le point d'exclamation, entouré d'un triangle équilatéral, vous indique la présence d'instructions importantes quant-à l'utilisation et à l'entretien dans la brochure fournie avec le produit.

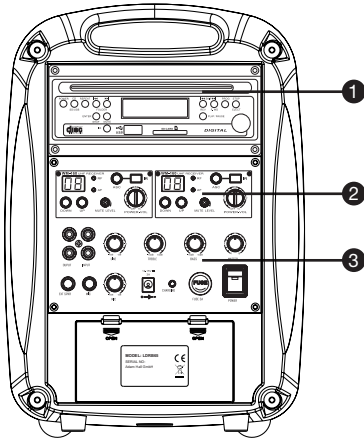
ATTENTION! NIVEAU SONORE ÉLEVÉ!

Vous allez utiliser ce système de transmission sans fil à des fins professionnelles. Dans ce cas l'utilisation de ce produit est soumise à des règles et à des directives définies par votre organisme professionnel de prévention des accidents du travail. En tant que fabricant, Adam Hall se doit de vous mettre en garde formellement sur les risques éventuels que cet appareil peut présenter pour votre santé.

Ce système est capable de générer une pression acoustique supérieure à 80dB. 85dB est la limite légale du niveau sonore à laquelle votre ouïe peut être soumise lors d'une journée de travail. Cette valeur a été fixée par la médecine du travail comme valeur de référence pour la mesure du niveau sonore. Vous exposer à des niveaux sonores plus élevés, ou sur une durée plus longue peut endommager votre ouïe. Si vous vous exposez à des pressions acoustiques supérieures à la limite légale, pensez à raccourcir le temps d'exposition pour vous protéger d'éventuelles dégradations de votre ouïe. Voici quelques signes pouvant vous alerter d'une exposition trop longue à un niveau sonore trop élevé :

- Vous entendez des sons de cloche, de sonnerie ou des sifflements !
- Vous avez l'impression de ne plus entendre les sons aigus !

FACE ARRIÈRE :



1 LECTEUR DE CD

Lecteur de CD de type 'slot-in' avec port pour clé USB et slot pour carte SD. Lecteur de CD avec fonction antichoc.

Formats de fichiers audio reconnus (CD, USB, SD) : CD Audio, MP3, WMA.

2 MODULE RÉCEPTEUR HF

Le Roadboy 6.5 est équipé d'un module récepteur HF. Vous pouvez en installer un second si vous désirez utiliser simultanément un autre microphone HF.

3 PANNEAU DE CONTRÔLE :

Réglage de volume : Master, micro à fil, entrée ligne
EQ : Grave, Aigu
In & Out

Sortie au niveau haut-parleur pour enceinte externe
Indicateur LED: batterie faible (rouge), batterie en charge (vert clignotant), batterie à pleine charge (vert).

ENGLISH

DEUTSCH

FRANCAIS

ESPAÑOL

POLSKI

ITALIANO

ÉLÉMENTS DU SYSTÈME :

ENGLISH

DEUTSCH

FRANCAIS

ESPAÑOL

POLSKI

ITALIANO

Roadboy



Micro Main



Alimentation



Télécommande



ACCESSOIRES **OPTIONNELS** :

Housse de transport (LDSB21)



Micro serre-tête noir (LDWS100MH1)



Émetteur portable (LDWS1616BP)



Micro serre-tête couleur chair (LDWS100MH2)



Pied pour enceinte (SPS56B)



Module récepteur supplémentaire (LDRM102R)



ENGLISH

DEUTSCH

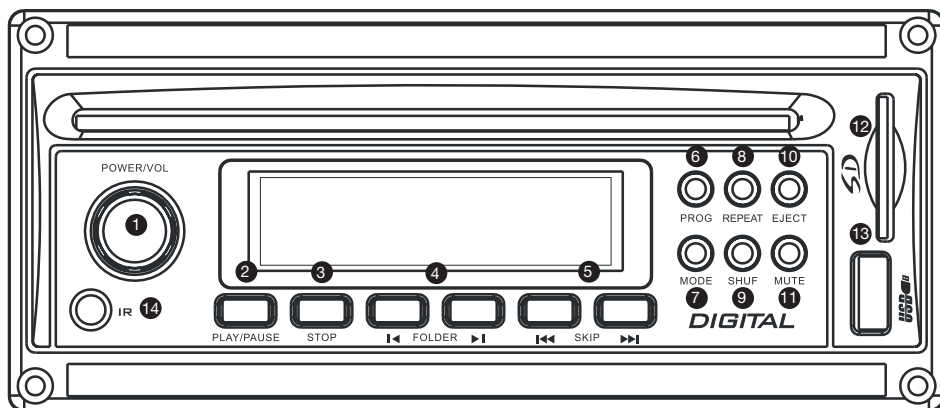
FRANCAIS

ESPAÑOL

POLSKI

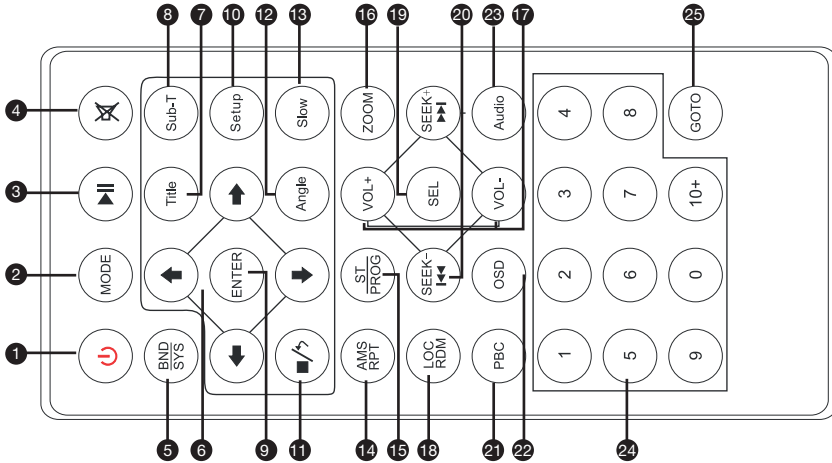
ITALIANO

LECTEUR CD :



- 1 POWER/VOL**
Allumage / extinction et réglage de volume sonore
- 2 PLAY / PAUSE**
- 3 STOP**
Arrêt et retour au menu principal
- 4 FOLDER**
Touches fonctionnelles en mode USB, CD MP3 et carte SD
En mode Stop : les touches FOLDER (gauche/droite) permettent de passer au dossier précédent/suivant.
En mode Play : les touches FOLDER (gauche/droite) permettent de passer au premier fichier du dossier précédent/suivant.
- 5 TOUCHES SKIP (gauche/droite)**
En mode Play et en mode Stop, appuyer sur une touche SKIP (gauche/droite) fait passer au morceau précédent/suivant.
En mode Play, maintenir enfoncée une touche SKIP active la lecture rapide, en avant (SKIP droite) ou en arrière (SKIP gauche).
- 6 PROG**
Fonction non disponible
- 7 MODE**
Appuyez sur cette touche pour passer du mode SD au mode USB ou CD.
- 8 REPEAT**
Appuyez sur cette touche pour répéter la lecture du morceau en cours.
Appuyez une seconde fois pour répéter tous les morceaux.
- 9 SHUF**
Active la lecture aléatoire.
- 10 EJECT**
Éjection du disque
- 11 MUTE**
Coupe la sortie du lecteur SD / USB / CD.
- 12 SLOT POUR CARTE SD**
- 13 PORT USB 2.0**
Pour clé USB.
- 14 IR**
Module de réception de la télécommande

TÉLECOMMANDE :



Le Roadboy 6.5 est équipé de deux modules de réception infrarouge pour télécommande : Un en face avant, un sur le panneau arrière de l'appareil. Vous pouvez donc contrôler ses fonctions où que vous vous trouviez, devant ou derrière le haut-parleur.

- 1 TOUCHE POWER :** Allumage / extinction de l'appareil
- 2 TOUCHE MODE :** Passage d'un mode à un autre (SD, USB, CD)
- 3 ►► TOUCHE :** Touche Lecture / Pause
- 4 🔇 TOUCHE :** Une courte pression coupe le son ou le rétablit (fonction Mute).
- 5 BND/SYS**
Fonction non disponible
- 6 ◀/▶/↑/↓ TOUCHE :**
Fonction non disponible
- 7 TOUCHE TITLE :**
Fonction non disponible
- 8 TOUCHE SUB-T :**
Fonction non disponible
- 9 TOUCHE ENTER :**
Fonction non disponible
- 10 TOUCHE SETUP :**
Fonction non disponible
- 11 ■/➤ TOUCHE :**
Touche Stop
- 12 TOUCHE ANGLE :**
Fonction non disponible
- 13 TOUCHE SLOW :**
Fonction non disponible
- 14 TOUCHE AMS / RPT :**
Appuyez sur cette touche pour répéter la lecture du morceau en cours.
Appuyez une seconde fois pour répéter tous les morceaux.
- 15 TOUCHE ST / PROG :**
Fonction non disponible
- 16 ZOOM**
- 17 Audio**
- 18 SEEK-◀◀**
- 19 SEEK-▶▶**
- 20 VOL+**
- 21 VOL-**
- 22 OSD**
- 23 SEL**
- 24**
- 25 GOTO**



TÉLÉCOMMANDE CD :

ENGLISH

16 TOUCHE ZOOM :

Fonction non disponible

17 TOUCHE VOL+ VOL- :

Augmente ou diminue le volume.

18 TOUCHE LOC / RDM

Touche LOC / RDM, lecture aléatoire.

19 TOUCHE SEL :

Appuyez sur cette touche pour passer du mode SD au mode USB ou CD.

20 I◀◀ / ▶▶ TOUCHE :

En mode Play et en mode Stop, appuyer sur une touche SKIP (gauche/droite) fait passer au morceau précédent/suivant.

En mode Play, maintenir enfoncée une touche SKIP active la lecture rapide, en avant (SKIP droite) ou en arrière (SKIP gauche).

21 TOUCHE PBC :

Fonction non disponible

22 TOUCHE OSD :

Disponible en mode Audio CD.

En mode normal : Indique la durée écoulée en lecture pour le morceau en cours.

Après une pression :

Indique la durée restante pour le morceau en cours.

Pression suivante :

Indique la durée écoulée depuis le début du CD.

Pression suivante :

Indique la durée restante sur le CD.

23 AUDIO (RÉGLAGE BALANCE GAUCHE/DROITE) :

Fonction non disponible

24 TOUCHES 1 À 10+ :

Fonction non disponible

25 TOUCHE GOTO :

Fonction non disponible

DEUTSCH

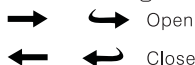
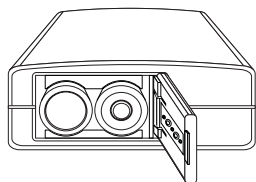
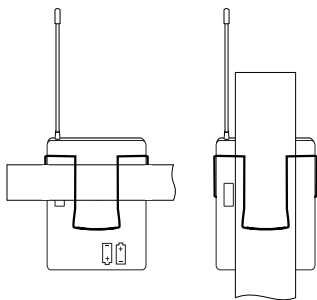
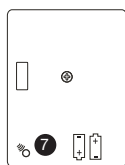
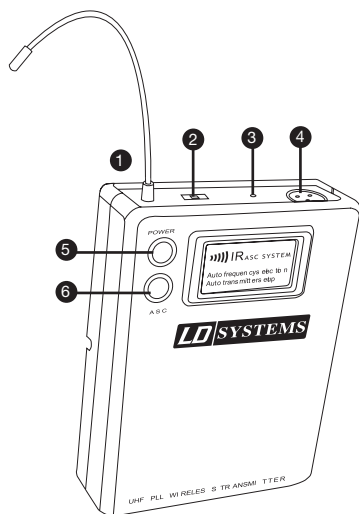
FRANCAIS

ESPAÑOL

POLSKI

ITALIANO

ÉMETTEUR DE POCHE :



1 ANTENNE

2 SÉLECTEUR GAIN

Mic : Niveau Microphone
0 : Guitare avec micros passifs
-10 dB : Guitare avec capteurs actifs

3 LED POWER

Verte : En fonctionnement
Rouge : Piles faibles
Rouge clignotant : Transmission infrarouge en cours

4 ENTRÉE MIC SUR CONNECTEUR MINI-XLR

5 TOUCHE POWER ON / OFF

6 TOUCHE ASC (ACTIVATE SYNC)

Appuyez sur cette touche pour activer la liaison infrarouge entre émetteur et récepteur.

7 PORT IR

Port de réception pour la liaison infrarouge, réception des données de synchronisation émetteur/récepteur

PORT DE L'ÉMETTEUR DE POCHE

Fixez l'émetteur à votre ceinture. Pour obtenir des résultats optimaux, fixez le récepteur sur la ceinture en poussant sur sur la pince aussi loin que possible sur la ceinture.

Pour les guitaristes, faites passer la sangle de la guitare "à travers" la pince de l'émetteur.

REMPACEMENT DES PILES

La durée de vie des deux piles alcalines est d'environ 8 heures.

Lorsque l'indicateur d'état des piles clignote en rouge, nous vous recommandons de les remplacer immédiatement, comme illustré ci contre. Veuillez insérer 2 piles alcalines LR06 [AA].

MODULE RÉCEPTEUR HF:

ENGLISH

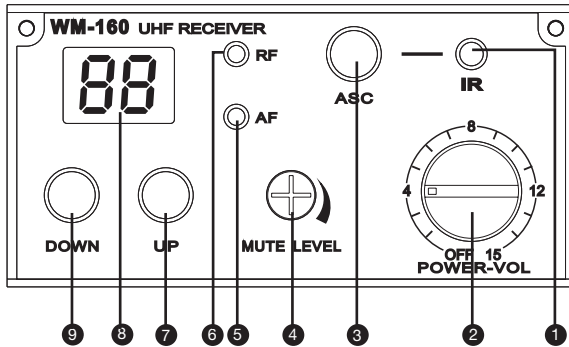
DEUTSCH

FRANCAIS

ESPAÑOL

POLSKI

ITALIANO



1 PORT IR

Envoie les signaux à l'émetteur (ou à l'émetteur à main) par liaison infrarouge, afin de synchroniser les fréquences.

2 POWER

Allumage / extinction du module et réglage de volume

3 ASC

Après avoir sélectionné une fréquence de travail sur le récepteur, appuyez sur la touche ASC pour synchroniser l'émetteur. Placez le port IR du microphone ou de l'émetteur en face du port IR du récepteur. (synchronisation avec un émetteur de poche : Appuyez sur la touche ASC de l'émetteur de poche puis du récepteur pour activer la synchronisation).

4 MUTE LEVEL

Réglage de la valeur de Squelch sur le récepteur : Cette fonction supprime le bruit de fond survenant lorsque l'émetteur est éteint ou lorsque le récepteur n'arrive plus à capter un signal HF de niveau suffisant.

La valeur de Squelch du récepteur est réglée en usine de façon à assurer un fonctionnement optimal du système. Normalement, aucun autre réglage n'est nécessaire.

Si une modification de valeur de Squelch s'avère nécessaire, réglez le potentiomètre Mute Level de façon à ce qu'aucun bruit de fond n'apparaisse dans le récepteur lorsque l'émetteur est éteint. Ce reréglage permet de supprimer les interférences, mais peut aussi, dans certaines circonstances, réduire la portée du système. Si vous réduisez le niveau de Squelch, les interférences risquent de dégrader la qualité de la transmission. En contrepartie, dans certaines circonstances, la portée du système peut s'en trouver accrue.

5 AF

Indique si le module reçoit un signal audio.

6 RF

Indique si le module reçoit un signal HF.

7 UP

Canal suivant

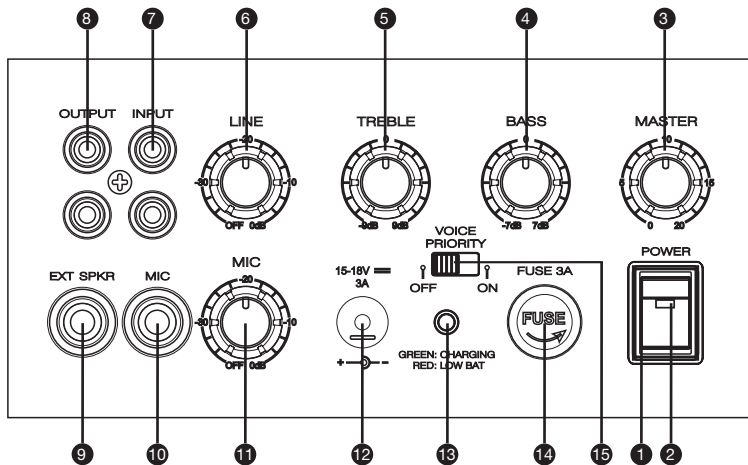
8 INDICATEUR NUMÉRIQUE

Indique le numéro de canal.

9 DOWN

Canal précédent

PANNEAU DE CONTRÔLE :



- 1 INTERRUPTEUR POWER**
Interrupteur général (ON/OFF pour tout le système)
- 2 INDICATEUR LED**
Lorsqu'il est rouge, le système est fonctionnel (ON).
- 3 MASTER VOLUME**
Réglage de volume général du système.
- 4 BASS**
Correcteur de graves
- 5 TREBLE**
Correcteur d'aigus
- 6 LINE VOLUME**
Réglage de niveau de l'entrée au niveau ligne (RCA)
- 7 ENTRÉE LIGNE (CONNECTEURS RCA)**
- 8 SORTIE LIGNE (CONNECTEURS RCA)**
- 9 SORTIE EXTERNAL SPEAKER**
Cette sortie permet de brancher une enceinte passive supplémentaire. Lorsque vous utilisez cette sortie, le son est reproduit à la fois par le Roadboy et par l'enceinte passive. (impédance minimale 4 Ω)
- 10 ENTRÉE MICROPHONE**
- 11 POTENTIOMÈTRE DE RÉGLAGE DE NIVEAU MIC**
- 12 CONNECTEUR TENSION D'ALIMENTATION CONTINUE**
- 13 INDICATEUR DE CHARGE / BATTERIE DÉCHARGÉE**
Indicateur LED : batterie faible (rouge), batterie en charge (vert clignotant), batterie à pleine charge (vert).
- 14 FUSIBLE (3 A)**
- 15 SÉLECTEUR VOICE PRIORITY**
En cours de diffusion d'une musique, activer la fonction Voice Priority atténue automatiquement la musique dès que vous parlez dans le microphone. Dès que vous arrêtez de parler, la musique reprend son volume normal. Cette fonction d'atténuation automatique est parfois désignée sous le terme "Talk Over"

ENGLISH

DEUTSCH

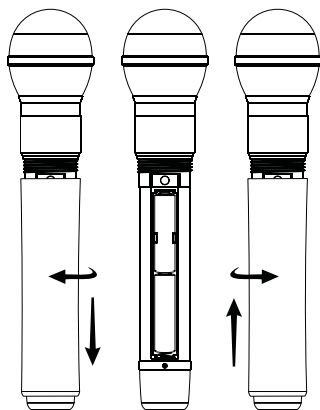
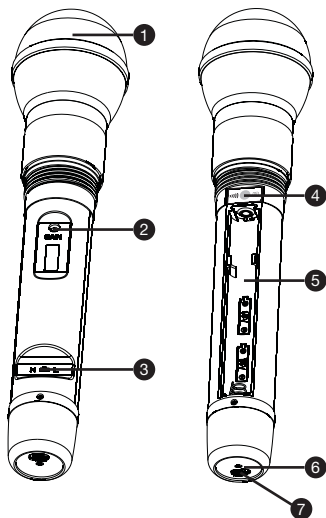
FRANCAIS

ESPAÑOL

POLSKI

ITALIANO

ÉMETTEUR À MAIN :



1 GRILLE MICROPHONE

2 GAIN

Ce potentiomètre sert à régler la sensibilité du microphone : tournez vers la gauche pour la réduire, vers la droite pour l'augmenter.

Le réglage d'usine devrait vous donner complète satisfaction.

3 SÉLECTEUR DE PUISSANCE D'ÉMISSION HF

La position H correspond à une puissance d'émission élevée, la position L à une puissance d'émission réduite.

4 PORT IR

Port de réception pour la liaison infrarouge, réception des données de synchronisation émetteur/récepteur

5 COMPARTIMENT À PILES

Veillez insérer 2 piles alcalines LR06 [AA].

6 INDICATEUR POWER/ASC

Vert : émetteur sous tension

Vert clignotant : Transmission infrarouge en cours

Rouge clignotant : Piles faibles

7 SÉLECTEUR ON / OFF

REMPLACEMENT DES PILES

La durée de vie des piles est d'environ 8 heures. Si l'indicateur de niveau de piles clignote, remplacez les piles immédiatement.

RÉGLAGE ET UTILISATION DU SYSTÈME :

UTILISATION DE L'ENTRÉE MICRO (À FIL)

Branchez le connecteur jack 6,35 mm de votre microphone dans l'entrée MIC. Cette entrée micro se trouve sur le panneau arrière de la Roadboy. Vérifiez que l'autre extrémité de votre câble est correctement reliée au microphone. Si votre microphone possède un interrupteur ON / OFF, réglez-le en position ON. Avec le potentiomètre de gain MIC, réglez l'équilibre entre les signaux des entrées MIC et LINE. Un niveau MIC trop élevé peut provoquer l'apparition de distorsion (écrêtage).

UTILISATION DU MODULE HF

Commencez par régler le potentiomètre MASTER du Roadboy en position zéro. Réglez ensuite le potentiomètre POWER-VOL du module HF sur midi. Vous pouvez à présent synchroniser l'émetteur (à main ou de poche) avec le récepteur, via la fonction ASC. Appuyez sur la touche ASC du module récepteur HF ; la LED ASC clignote alors en rouge.

Si vous utilisez un émetteur à main : Le détecteur infrarouge (IR) est placé au niveau du compartiment à piles, sous la capsule. Placez-le à proximité du détecteur IR du module récepteur HF.

Si vous utilisez un émetteur de poche : Il faut activer la fonction ASC sur l'émetteur de poche. Placez ensuite le détecteur infrarouge (repéré IR), à l'arrière de l'émetteur de poche, à proximité du détecteur IR du module récepteur HF. La procédure de synchronisation prend quelques secondes. Si vous avez installé un second module récepteur HF (optionnel), vérifiez que les deux modules ne sont pas réglés sur une fréquence identique, afin d'éviter toute interférence (voir la liste des fréquences). Si l'indicateur RF clignote, c'est que le système fonctionne correctement et que la synchronisation a réussi. Vous pouvez à présent régler le potentiomètre MASTER du Roadboy jusqu'à atteindre le volume sonore désiré.

La distance maximale entre l'émetteur à main (ou de poche) et le module récepteur est d'environ 60 mètres en espace ouvert.

UTILISATION DE LA SORTIE "EXT. SPEAKER" SPEAKER" OUTPUT

Branchez l'enceinte externe sur cette sortie par l'intermédiaire d'un câble haut-parleur muni d'un jack 6,35 mm. Utilisez une enceinte d'une impédance nominale comprise entre 4 et 8 Ohms, d'une puissance nominale d'au moins 25 W.

CHARGE DU ROADBOY

Branchez l'alimentation (16 V / 3 A) livrée avec votre Roadboy pour utiliser le système sans batterie, ou pour recharger celle-ci. La durée de charge est de 8 heures. La procédure de charge s'arrête automatiquement une fois la pleine charge atteinte. Vous pouvez également utiliser ainsi le Roadboy sur secteur, pour une durée aussi longue que vous le désirez.

IMPORTANT !

Lorsque vous branchez la batterie pour la première fois ou lorsque vous la remplacez, VOUS DEVEZ ABSOLUMENT respecter la polarité ! Rouge = + (plus) // Noir = - (moins).

Lorsque vous chargez le Roadboy pour la première fois, la durée de charge doit être de 15 heures. Vous augmentez ainsi la durée de vie de la batterie et sa capacité. Effectuez cette procédure tous les 2 à 3 mois. Avant de lancer cette procédure de charge longue, la batterie devrait être entièrement vide.

ENGLISH

DEUTSCH

FRANCAIS

ESPAÑOL

POLSKI

ITALIANO



CARACTÉRISTIQUES :

BASIC SPECIFICATIONS

Output power: MAX 25 W RMS / 4 Ω
Frequency response: 80 Hz - 15 kHz
Maximum sound pressure: 110 dB
Speaker: 6.5 - inch full range
Power: 200 V - 250 V Switching power supply
DC 16 V / 3 A
Batteries: 12 V / 2.9 AH
THD: <0,5 %
Size (W x H x D): 300 x 200 x 230 mm
Weight: 5 kg
Receiver module: 863 - 865 MHz
Operating time: 5 hours

CD PLAYER

Product type:
Compact disc digital audio system with mechanic & electronic anti-shock CD, CD-R, CD-R/W, MP3, WMA, USB, SD, MP3, WMA available.
Disc loading: Slot-in Type
Supply voltage: DC 12 V (10 ~ 14 V)
Power consumption: Within 5 W
Dimensions (W x H x D): 160 x 147.4 x 68.5 mm
Weight: 1.2 kg

RECEIVER

Channels: 16
Carrier frequency range: 863 - 865 MHz
Audio bandwidth: 60 Hz - 16 kHz
THD: <1%
Signal/noise ratio: >100 dB
Modulation: FM
Dimensions: 212 x 160 x 44 mm
Net weight: 860 g
Power requirements: 12 - 18 V DC / 300 mA, ext. power supply

HANDHELD TRANSMITTER

Channels: 16
Carrier frequency range: 863 - 865 MHz
Capsule type: Dynamic
Polar pattern: Cardioid
RF Output power: 10 mW
Audio bandwidth: 60 Hz - 16 kHz
Signal/noise ratio: >102 dB
Modulation: FM
Dimensions: 235 x 54 mm
Net weight: 280 g
Power requirements: 2 x „AA“ -batteries
Battery Life: >10 hours

BELT PACK TRANSMITTER

Channels: 16
Carrier frequency range: 863 - 865 MHz
RF Output power: 6 mW
Max. input level: 6 mV
Audio bandwidth: 60 Hz - 16 kHz
Signal/noise ratio: >102 dB
Modulation: FM
Dimensions: 85 x 65 x 24 mm
Net weight: 80 g
Power requirements: 2 x „AA“ -batteries
Battery Life: >10 hours, depending on batteries

Since all our products are constantly controlled and improved, technical changes are possible without prior notice.

ENGLISH

DEUTSCH

FRANCAIS

ESPAÑOL

POLSKI

ITALIANO

CARACTÉRISTIQUES :

LDWS1616 / Roadman / Roadboy

Liste de fréquences permettant une utilisation simultanée, sans intermodulation, de trois micros HF

Nr.	Fréquence (MHz)	Simultanée
1	863,100	X
2	863,900	
3	864,500	
4	864,900	
5	863,200	
6	863,300	
7	863,400	
8	863,500	
9	863,600	
10	863,700	X
11	863,800	
12	864,000	
13	864,100	X
14	864,200	
15	864,300	
16	864,400	

ENGLISH

DEUTSCH

FRANCAIS

ESPAÑOL

POLSKI

ITALIANO



EC Declaration of Conformity EG Konformitäts-Erklärung Déclaration CE de Conformité

We / Wir / Nous **Adam Hall GmbH**
Daimlerstr. 9
D- Neu-Anspach

declare in exclusive responsibility that the product
erklären in alleiniger Verantwortung, dass das Produkt
déclarons sous notre seule responsabilité que le produit

Model **LD Portable PA Systems**
Modell **LD Portable PA Systems**
modèle **LD Portable PA Systems**

Type / Typenbezeichnung / type

LD Roadmen / Roadboy

to which this declaration relates is in conformity with the following standards:
auf das sich diese Erklärung bezieht, mit den folgenden Normen übereinstimmt:
auquel se réfère cette déclaration est conforme aux normes:

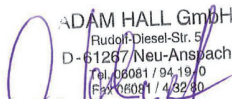
EN 50371
EN 60065: 2002
EN 300422-1
EN 300422-2
EN 301489-1
EN 301489-9

following the provisions of directive
gemäß den Bestimmungen der Richtlinie
conformément aux dispositions de directive

89 / 336 / EEC (Electromagnetic compatibility)
(Elektromagnetische Verträglichkeit)

73 / 23 / EEC (Low Voltage Equipment)
(Niederspannungsrichtlinie)

1999/5/EC European R&TTE Directive 1999/5/EC of 9th March, 1999.


ADAM HALL GmbH
Rudolf-Diesel-Str. 5
D - 61267 Neu-Anspach
Tel. 06081 / 94-19-0
Fax 06081 / 43230

Neu-Anspach, 01.09.2009

Markus Jahnel

Vertriebsleiter / Sales Manager / Chef des ventes


Geprüft

Neu-Anspach, 01.08.2009

Michael Rösch

Qualitäts Prüfer / Quality Manager / Calidad Director

ENGLISH

DEUTSCH

FRANCAIS

ESPAÑOL

POLSKI

ITALIANO

DÉCLARATIONS DU FABRICANT :

ENGLISH

DEUTSCH

FRANCAIS

ESPAÑOL

POLSKI

ITALIANO

GARANTIE LIMITÉE:

Cette garantie limitée s'applique aux produits de la marque Adam Hall, LD Systems, Defender, Palmer et Eminence. Les droits inhérents à la garantie légale vis-à-vis du revendeur ne sont pas affectés par cette garantie. En fait elle justifie d'une garantie supplémentaire indépendante auprès de la société Adam Hall.

La société Adam Hall garantit que le produit que vous avez acheté Adam Hall ou à l'un de ses revendeurs officiels, est exempt de défaut matériel et d'usinage pour une durée de 2 ans (ou 5 ans pour les produits Palmer) à partir de la date d'achat, lorsqu'il est utilisé dans des conditions normales.

La période de garantie limitée débute le jour de l'achat du produit. Pour bénéficier de cette garantie vous devez produire une preuve d'achat sur laquelle figure la date d'achat du produit (ex : ticket de caisse daté, bon de livraison daté...). Si un produit d'une des marques citées ci-dessus venait à nécessiter une réparation durant la période de garantie limitée, vous aurez alors le droit de bénéficier des services de la garantie selon les termes et conditions mentionnés par ce document.

Cette garantie limitée ne s'applique qu'à l'acheteur initial de ce produit Adam Hall et ne peut être en aucun cas transférée à un tiers devenu propriétaire du produit. Durant la période de garantie limitée, Adam Hall s'engage à réparer ou remplacer les pièces défectueuses du produit. Toutes les pièces ou éléments démontés lors d'une réparation par Adam Hall deviennent la propriété d'Adam Hall.

Dans le cas improbable d'un défaut récurrent, Adam Hall peut, à sa discrétion, décider de vous fournir un produit de remplacement de son choix, dont les capacités techniques sont au moins équivalentes à celles de votre produit initial.

Adam Hall ne garantit pas que le fonctionnement de ce produit sera exempt d'erreur ou ininterrompu. Adam Hall ne peut pas être rendu responsable des dégâts résultant de votre manquement à suivre les instructions d'utilisation fournies avec votre produit.

Cette garantie limitée ne s'applique pas,

- aux pièces d'usure (ex: piles)
- aux produits dont le numéro de série a été effacé ou aux produits endommagés ou rendus défectueux par accident
- dans le cas d'une utilisation non conforme aux conditions normales d'utilisation, dans le cas d'abus ou toute autre cause externe
- dans le cas d'un usage du produit en dehors des paramètres d'utilisation stipulés dans la documentation fournie avec le produit
- dans le cas de l'usage de pièces de remplacement n'étant pas fabriquées ou vendues par Adam Hall
- dans le cas d'une modification du produit ou d'une réparation par quiconque autre qu'Adam Hall

Ces termes et conditions constituent l'accord de garantie complet et exclusif entre vous et Adam Hall concernant le produit de la marque Adam Hall que vous vous êtes procuré.

CARACTÉRISTIQUES TECHNIQUES :

LIMITATION OF LIABILITY

Si votre produit Adam Hall devait ne pas fonctionner correctement, votre seul et unique dédommagement sera la réparation du produit ou son remplacement. La responsabilité maximale imputable à Adam Hall dans le cadre de cette garantie limitée se limite au montant le plus bas. Ce montant découle du prix d'achat du produit ou bien du coût de la réparation ou des pièces de remplacement qui sont tombés en panne dans des conditions d'utilisation normales.

Adam Hall n'est pas responsable des dommages causés par le produit ou par un dysfonctionnement du produit, y compris les pertes de profits, les pertes d'épargne, et les conséquences inhérentes à ces dommages. La responsabilité d'Adam Hall ne peut pas être engagée dans le cas d'une réclamation par un tiers ou dans le cas d'une réclamation émanant de l'acheteur initial pour le compte d'un tiers.

Cette limitation de responsabilité est valable indépendamment du fait que les dommages commis fassent l'objet de poursuites judiciaires, qu'ils fassent l'objet de réclamation (y compris pour négligence), de réclamations contractuelles ou tout autre réclamation. Cette limitation de responsabilité ne peut être amendée ou dérogée par quiconque. Elle est effective même si vous aviez avisé Adam Hall ou l'un de ses représentants officiels de la possibilité d'un tel dommage. Toutefois cette limitation de responsabilité est sans effet dans le cas de réclamations pour dommages corporels.

Cette garantie limitée vous confère des droits légaux spécifiques. Selon votre pays, ou l'État dans lequel vous vous trouvez, il est possible que vous disposiez d'autres droits. Veuillez consulter les lois applicables dans votre pays ou votre État pour déterminer l'ensemble de vos droits.

FAIRE FONCTIONNER LA GARANTIE

Pour faire fonctionner la garantie sur ce produit, veuillez contacter Adam Hall ou le revendeur agréé auquel vous avez acheté le produit.

UE-DÉCLARATION DE CONFORMITÉ

Ces produits sont conformes aux exigences essentielles des directives européennes 1999/5/EU, 89/336/EU ainsi qu'à leurs clauses additionnelles.

ELIMINATION CORRECTE DES DÉCHETS (DÉCHETS ÉLECTROMÉNAGERS)

(Applicable dans l'Union Européenne et dans les autres pays européens disposant d'un système de tri des déchets)



Ce signe figurant sur le produit, ou dans la brochure jointe au produit, indique qu'il ne doit pas être jeté dans le même bac à ordures que les déchets ménagers classiques lorsqu'il arrive en fin de vie. Pour écarter les risques de pollution de l'environnement ou les risques d'intoxication humaine dues à un mauvais traitement des déchets, veuillez séparer ce produit des autres types de déchets. Il sera ainsi inséré dans la boucle du recyclage et ces composants pourront être traités puis éventuellement réutilisés.

Nous recommandons aux particuliers de contacter leur revendeur local ou les autorités locales pour s'informer de la meilleure façon de traiter les déchets électroménagers.

Les professionnels doivent contacter leur fournisseur et examiner avec lui les termes et conditions de leur contrat d'achat. Ce produit ne doit pas être mélangé aux déchets industriels.

DECLARATION WEEE



Votre produit LD-Systems a été développé et fabriqué avec des matériaux et des composants de haute qualité, qui peuvent être recyclés et/ou réutilisés. Ce symbole indique que les appareils électriques et électroniques, à la fin de leur durée de vie opérationnelle, doivent être gérés séparément des déchets ordinaires.

Veuillez apporter ce produit au point de collecte ou centre de recyclage local prévu pour de tels appareils. Vous contribuerez ainsi à la protection de l'environnement dans lequel nous vivons tous.

BATTERIES ET ACCUMULATEURS



Les piles ou batteries rechargeable livrées avec l'appareil sont recyclables. Veuillez les jeter dans un bac à déchets spécial, ou déposez-les chez votre revendeur spécialisé. Pour une meilleure protection de l'environnement, ne jetez les piles que lorsqu'elles sont épuisées.

Adam Hall GmbH, tous droits réservés. Les caractéristiques techniques et les fonctions disponibles sur le produit sont sujettes à modifications. La photocopie, la traduction et toute forme de copie, partielle ou intégrale, de ce manuel utilisateur sont interdites.



ENGLISH

DEUTSCH

FRANÇAIS

ESPAÑOL

POLSKI

ITALIANO

Gracias por elegir LD-Systems!

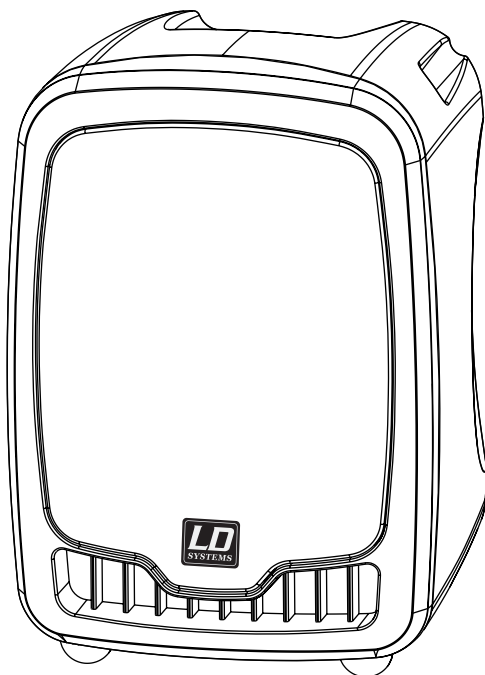
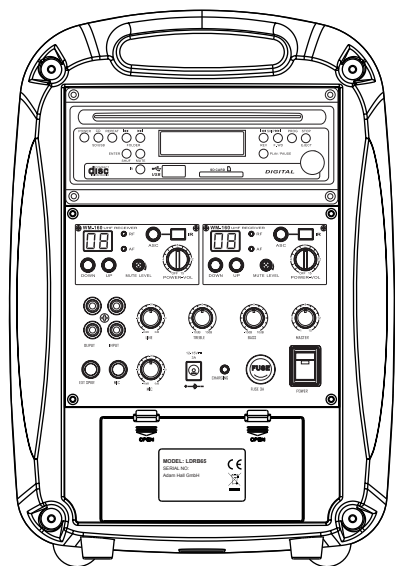
Este producto se ha diseñado para ofrecer una fiabilidad y durabilidad óptima. Los productos de LD-Systems se caracterizan por su gran calidad, avalada por el prestigio de la marca y una dilatada experiencia como fabricante.

Le rogamos que lea atentamente estas instrucciones para familiarizarse rápidamente con este producto LD-Systems y aprovechar al máximo todas las funciones.

Si desea obtener información sobre LD-Systems, visite nuestro sitio web WWW.LD-SYSTEMS.COM

LD ROADBOY 6.5

SISTEMA DE SONIDO PORTÁTIL 25 W



ENGLISH

DEUTSCH

FRANCAIS

ESPAÑOL

POLSKI

ITALIANO

MEDIDAS PREVENTIVAS:

1. Lea atentamente las instrucciones de seguridad adjuntas así como las instrucciones de este documento.
2. Guarde todas las instrucciones.
3. Utilice el equipo únicamente según la finalidad prevista.
4. Procure seguir las normas vigentes sobre reciclaje de desechos. Separe los componentes de plástico, papel y cartón del paquete para reciclarlos en sus contenedores respectivos.
5. Acuda a personal de servicio técnico cualificado en caso de que el equipo esté dañado, no funcione correctamente, se haya expuesto a lluvia o haya caído líquido sobre el equipo.
6. Evite colocar el equipo cerca de una fuente de calor, como hornos, radiadores o cualquier otro dispositivo (incluidos los amplificadores). Mantenga una distancia suficiente entre los amplificadores y las paredes, estanterías, etc. para evitar cualquier sobrecalentamiento.
7. Una vez realizadas todas las conexiones, compruebe el cableado para evitar posibles daños o accidentes. No utilice cables o conexiones que estén dañados.
8. En la instalación utilice solo soportes, fijaciones, estantes, mesas, etc. que sean estables y estén homologados. Compruebe que la estabilidad es adecuada para evitar la caída del equipo.
9. Interferencias con los sistemas inalámbricos.

El uso simultáneo de micrófonos inalámbricos y de teléfonos móviles, cuando estos dispositivos están a corta distancia entre sí, puede provocar interferencias en la señal del micrófono que serán audibles en el sistema de megafonía.



ADVERTENCIA:

Para evitar el riesgo de descarga eléctrica, no retire la tapa (o el panel posterior). Este equipo no contiene piezas que puedan ser reparadas por el usuario. Para cualquier tarea de mantenimiento o reparación, acuda a un técnico cualificado.



El símbolo de rayo dentro de un triángulo equilátero advierte al usuario de la presencia de tensión peligrosa sin aislamiento dentro de la carcasa del producto que puede ser de magnitud suficiente como para suponer un riesgo para las personas.



El símbolo de exclamación dentro de un triángulo equilátero advierte al usuario de la existencia de importantes instrucciones de funcionamiento y mantenimiento (reparaciones) en la documentación adjunta con el equipo.

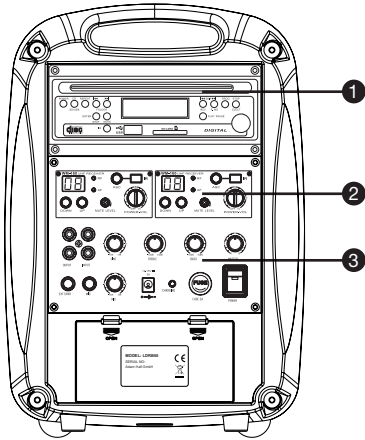
¡ADVERTENCIA: ALTO VOLUMEN!

Este sistema de transmisión se destina a un uso profesional. Por consiguiente, si se aplica a un uso comercial, estará sujeto a las normas y reglamentos de la Asociación para la prevención de accidentes de su sector profesional. Como fabricante, Adam Hall tiene la obligación de informar formalmente a los usuarios de la existencia de posibles riesgos para la salud.

Este sistema puede producir una presión sonora de 80 dB. Por ley, 85 dB es el nivel de presión sonora máximo al que puede estar expuesto durante una jornada laboral. Este nivel se estableció a partir de los datos científicos obtenidos de las investigaciones realizadas en el campo de la medicina del trabajo. Un nivel superior o un tiempo de exposición mayor pueden provocar daños en su oído. Para no ocasionar lesiones auditivas, el tiempo de exposición deberá acortarse si aumenta el nivel de presión sonora. Estos son algunos de los síntomas que indican una exposición excesiva a altos niveles de presión sonora:

- Escucha silbidos.
- Le parece que ya no puede oír los tonos agudos.

PANEL POSTERIOR:



1 REPRODUCTOR DE CD

Reproductor de CD con entrada para memoria USB y ranura para tarjetas SD. Reproductor de CD con función antisalto.

Archivos compatibles (reproductor de CD, USB y tarjetas SD): Audio CD, MP3, WMA.

2 MÓDULO RECEPTOR INALÁMBRICO

El Roadboy 6.5 está equipado con un receptor inalámbrico. Puede instalar un segundo módulo receptor si desea utilizar simultáneamente un segundo micrófono inalámbrico.

3 PANEL DE CONTROL

Control de volumen: Master, micrófono conectado por cable, entrada de línea

Ecualizador: Graves (BASS) y agudos (TREBLE)

Entrada y salida

Salida de potencia para altavoz externo

Indicador LED: Nivel bajo de batería (rojo), batería en carga (verde intermitente), batería 100% cargada (verde).

ENGLISH

DEUTSCH

FRANCAIS

ESPAÑOL

POLSKI

ITALIANO

COMPONENTES DEL SISTEMA:

ENGLISH

Roadboy



Micrófono de mano



DEUTSCH

FRANCAIS

ESPAÑOL

Adaptador de



Control remoto



POLSKI

ITALIANO

ACCESORIOS OPCIONALES:

Funda de Transporte (LDSB21)



Petaca transmisora (LDWS1616BP)



Receptor adicional (LDRM102R)



Auriculares con micro negro (LDWS100MH1)



Auriculares con micro color carne (LDWS100M)



Soporte del altavoz (SPS56B)



ENGLISH

DEUTSCH

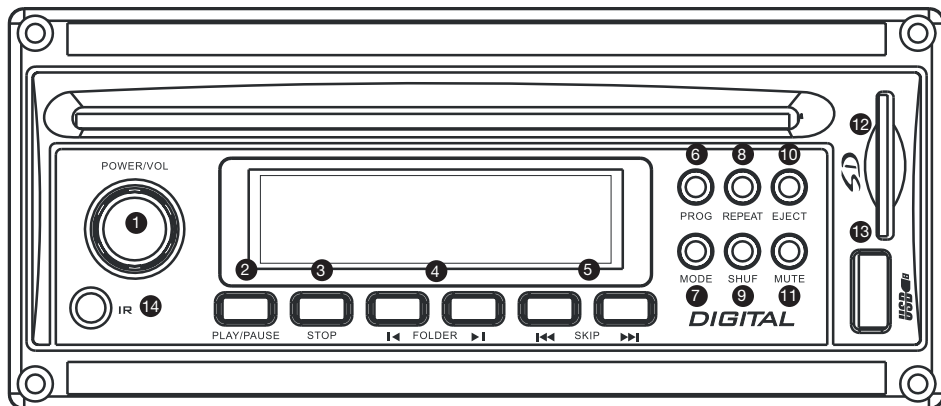
FRANCAIS

ESPAÑOL

POLSKI

ITALIANO

REPRODUCTOR DE CD:



1 POWER/VOL

Control de volumen y apagado/encendido del equipo

2 PLAY/PAUSE

3 STOP

Detener la reproducción o volver al menú principal

4 FOLDER

Disponible en los modos USB, MP3 CD y tarjeta SD
En el modo STOP: Utilice los botones FOLDER (izquierda o derecha) para ir a la carpeta anterior o siguiente.
En el modo PLAY: Utilice los botones FOLDER (izquierda o derecha) para ir al primer archivo de la carpeta anterior o siguiente.

5 SKIP (IZQUIERDA/DERECHA)

En los modos PLAY y STOP, pulse SKIP (izquierda o derecha) para ir a la pista anterior o siguiente.
En el modo PLAY, mantenga pulsado el botón SKIP para avanzar rápidamente (SKIP DERECHA) o retroceder rápidamente (SKIP IZQUIERDA) dentro de una pista.

6 PROG

Función no disponible

7 MODE

Pulse este botón para cambiar entre los modos SD, USB y CD.

8 REPEAT

Pulse el botón una vez para repetir la pista actual.
Pulse el botón dos veces para repetir todas las pistas.

9 SHUF

Reproducción aleatoria de pistas

10 EJECT

Permite expulsar el disco

11 MUTE

Permite silenciar el reproductor de SD/USB/CD.

12 RANURA PARA TARJETA SD

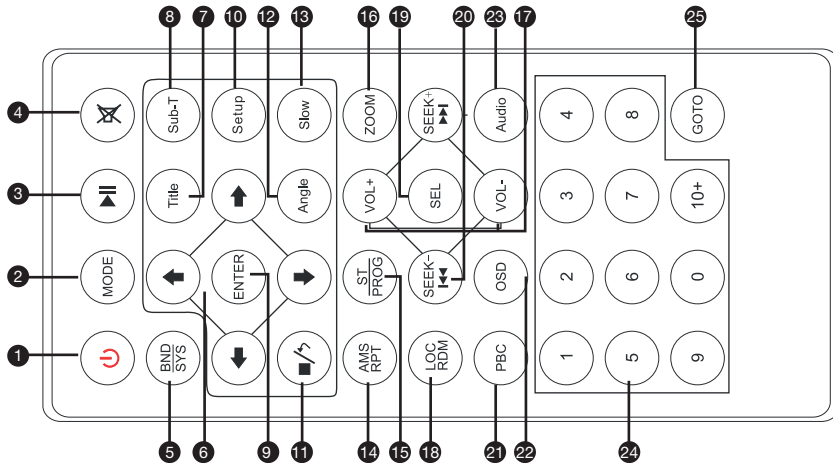
13 USB 2.0

Entrada para un pendrive

14 IR

Módulo receptor del control remoto

CONTROL REMOTO:



El Roadboy 6.5 está equipado con dos receptores de infrarrojos de control remoto. Uno de los receptores se encuentra en el frontal y el otro en el panel posterior del equipo. De esta manera, podrá utilizar el mando a distancia delante o detrás del altavoz.

- 1 **BOTÓN DE ENCENDIDO/APAGADO:** Encendido/apagado del equipo
- 2 **BOTÓN MODE:** Botón para cambiar de modo
- 3 **▶|| BOTÓN:** Botón de pausa/reproducción
- 4 **🔊 BOTÓN:** Pulsar brevemente para activar o desactivar el sonido.
- 5 **BND/SYS**
Función no disponible
- 6 **◀/▶/↑/↓ BOTÓN:**
Función no disponible
- 7 **BOTÓN TITLE:**
Función no disponible
- 8 **BOTÓN SUB-T:**
Función no disponible
- 9 **BOTÓN ENTER:**
Función no disponible
- 10 **BOTÓN SETUP:**
Función no disponible
- 11 **■/➤ BOTÓN:**
Botón para detener la reproducción
- 12 **BOTÓN ANGLE:**
Función no disponible
- 13 **BOTÓN SLOW:**
Función no disponible
- 14 **BOTÓN AMS/RPT:**
Pulse el botón una vez para repetir la pista actual. Pulse el botón dos veces para repetir todas las pistas.
- 15 **BOTÓN ST/PROG:**
Función no disponible
- 16 **ZOOM**
- 17 **Audio**
- 18 **SEEK-◀◀**
- 19 **SEEK+▶▶**
- 20 **SEL**
- 21 **OSD**
- 22 **PBC**
- 23 **VOL+**
- 24 **VOL-**
- 25 **GOTO**



CONTROL REMOTO DEL CD:

- 16 BOTÓN ZOOM:**
Función no disponible
- 17 BOTONES VOL+/VOL-:**
Permiten aumentar o disminuir el volumen.
- 18 BOTÓN "LOC/RDM"**
Permite reproducir aleatoriamente las pistas.
- 19 BOTÓN SEL:**
Pulse este botón para cambiar entre los modos SD, USB y CD.
- 20 I◀◀ / ▶▶ BOTÓN:**
En los modos PLAY y STOP, pulse SKIP (izquierda o derecha) para ir a la pista anterior o siguiente.
En el modo PLAY, mantenga pulsado el botón SKIP para avanzar rápidamente (SKIP DERECHA) o retroceder rápidamente (SKIP IZQUIERDA) dentro de una pista.
- 21 BOTÓN PBC:**
Función no disponible
- 22 BOTÓN OSD:**
Disponible en el modo Audio CD.
Sin pulsar: La pantalla muestra el tiempo transcurrido de la pista actual
Una pulsación:
La pantalla muestra el tiempo restante de la pista actual
Dos pulsaciones:
La pantalla muestra el tiempo transcurrido del CD
Tres pulsaciones:
La pantalla muestra el tiempo restante del CD
- 23 AUDIO (AJUSTE IZQUIERDA/DERECHA DE AUDIO ESTÉREO):** Función no disponible
- 24 BOTONES 1 A 10:**
Función no disponible
- 25 BOTÓN GOTO:**
Función no disponible

ENGLISH

DEUTSCH

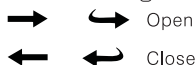
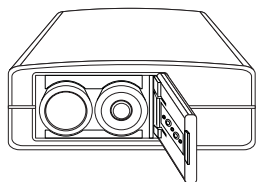
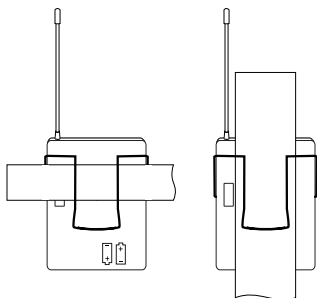
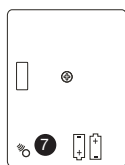
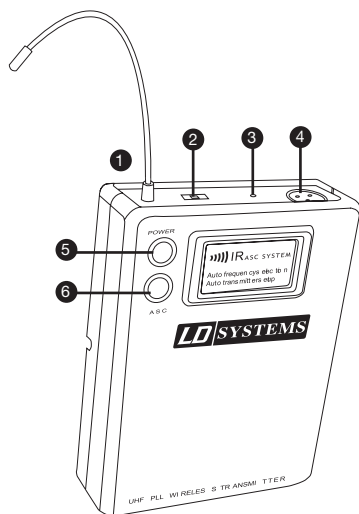
FRANÇAIS

ESPAÑOL

POLSKI

ITALIANO

PETACA TRANSMISORA:



1 ANTENA

2 AJUSTE DE GANANCIA (GAIN)

Mic: Micrófono
0: Guitarra con pastilla pasiva
-10 dB: Guitarra con pastillas activas

3 LED DE ENCENDIDO

Verde: en funcionamiento
Rojo: batería baja
Rojo intermitente: transmitiendo por infrarrojos

4 ENTRADA DE MICRÓFONO POR MINI XLR

5 BOTÓN POWER (ENCENDIDO/APAGADO)

6 BOTÓN ASC (ACTIVAR SINCRONIZACIÓN)

Pulse este botón para activar la conexión por infrarrojos entre el transmisor y el receptor

7 PUERTO DE INFRARROJOS

Recibe la señal infrarroja enviada por el receptor para sincronizar el transmisor y el receptor

USO DE LA PETACA

La petaca se cuelga del cinturón. Se recomienda deslizar el clip de la petaca hasta el fondo. Los guitarristas deben pasar la cinta de la guitarra por el clip de la petaca.

SUSTITUCIÓN DE LAS BATERÍAS

La duración aproximada de dos baterías alcalinas es de 8 horas.

Cuando el indicador de estado de la batería parpadee en color rojo, deberá sustituir las baterías inmediatamente, como se muestra en la imagen izquierda. Inserte 2 pilas alcalinas tipo AA (LR6 1,5 V)

MÓDULO RECEPTOR INALÁMBRICO:

ENGLISH

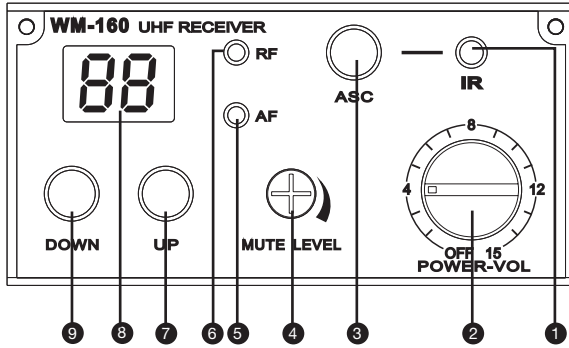
DEUTSCH

FRANCAIS

ESPAÑOL

POLSKI

ITALIANO



1 PUERTO DE INFRARROJOS (IR)

Envía la señal de infrarrojos al transmisor (micrófono de mano) para sincronizar las frecuencias usadas.

2 POWER

Permite encender/apagar y controlar el volumen

3 ASC

Después de seleccionar una frecuencia de transmisión en el receptor, pulse ASC para sincronizar el transmisor. Sostenga el micrófono con el puerto de infrarrojos frente al puerto de infrarrojos del receptor. (Sincronización con la petaca: pulse ASC en la petaca y en el receptor para activar la sincronización.)

4 MUTE LEVEL

Ajuste del silenciador del receptor:
Esta función elimina el ruido cuando el transmisor está apagado o cuando el receptor no recibe una señal lo suficientemente fuerte desde el transmisor. El ajuste del silenciador del receptor viene configurado de fábrica para que el sistema funcione de manera óptima. En general, no será necesario

cambiar este ajuste.

Si es necesario cambiarlo, ajuste el nivel del silenciador de forma que el receptor no detecte ningún ruido cuando el transmisor esté apagado. De esta manera se eliminarán las interferencias, aunque es posible que se reduzca el alcance de transmisión del sistema. Si se reduce el nivel del silenciador, es posible que las interferencias disminuyan la calidad de la transmisión. En cambio, podría aumentar el alcance de transmisión.

5 AF

Indica si el módulo está recibiendo alguna señal de audio

6 RF

Indica si el módulo está recibiendo alguna señal de radiofrecuencia

7 UP

Permite aumentar el número de canal

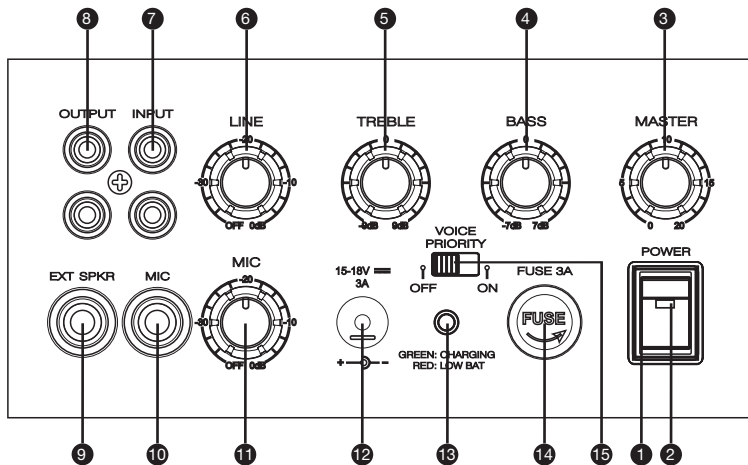
8 PANTALLA DIGITAL

Muestra el canal

9 DOWN

Permite disminuir el número de canal

PANEL DE CONTROL:



1 INTERRUPTOR DE ENCENDIDO/APAGADO

Este es el interruptor general de encendido/apagado del sistema

2 INDICADOR LED

Si está iluminado en color rojo, el sistema está operativo y encendido.

3 MASTER

Control general de volumen del sistema

4 BASS

Ecuualizador de bajos

5 TREBLE

Ecuualizador de altos

6 LINE

Control de volumen de la entrada de línea (RCA)

7 ENTRADA DE LINEA (RCA)

8 SALIDA DE LINEA (RCA)

9 SALIDA A ALTAVOZ EXTERNO (EXT SPKR)

Conecte esta salida a otro altavoz pasivo. Si emplea esta salida, tendrá el sonido de Roadboy y del altavoz pasivo. (Mín. 4 Ω)

10 ENTRADA DE MICRÓFONO

11 CONTROL DE VOLUMEN DE MICRÓFONO

12 TOMA PARA EL ADAPTADOR DE CORRIENTE

13 INDICADOR DE CARGA/BATERÍA BAJA

Indicador LED: Nivel bajo de batería (rojo), batería en carga (verde intermitente), batería 100% cargada (verde).

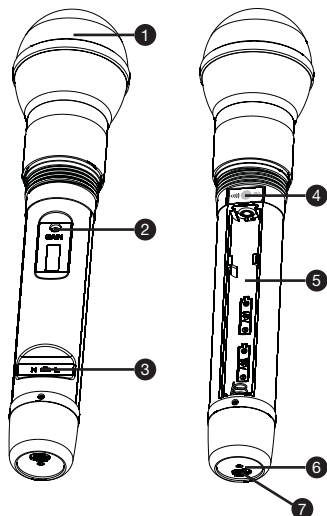
14 FUSIBLE DE 3A

15 INTERRUPTOR VOICE PRIORITY (PRIORIDAD DE VOZ)

Mientras se está reproduciendo música, si se activa la función de prioridad de voz, disminuirá automáticamente el volumen de la música al hablar por el micrófono.

Cuando deje de hablar, el volumen de la música volverá a su nivel anterior. Esta función se llama también "Talk Over".

MICRO DE MANO TRANSMISOR:



1 REJILLA DEL MICRÓFONO

2 GAIN

Utilice este control para ajustar la sensibilidad del micrófono; gire a la izquierda para disminuirla y a la derecha para aumentarla.

En general, el ajuste de fábrica le dará buenos resultados.

3 CONMUTADOR DE POTENCIA DE TRANSMISIÓN

H indica una potencia alta de transmisión; L indica potencia baja de transmisión.

4 PUERTO DE INFRARROJOS

Recibe la señal infrarroja enviada por el receptor para sincronizar el transmisor y el receptor

5 COMPARTIMENTO DE BATERÍAS

Inserte 2 pilas alcalinas tipo AA (LR6 1,5 V)

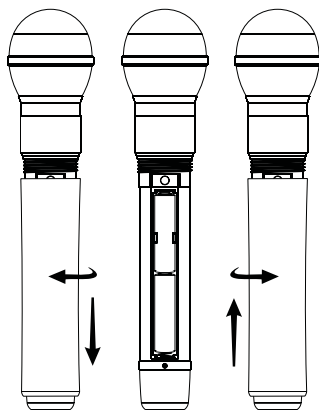
6 ENCENDIDO/ASC

Verde: Encendido

Verde intermitente: Transmitiendo por infrarrojos

Rojo intermitente: Batería baja

7 INTERRUPTOR DE ENCENDIDO



SUSTITUCIÓN DE LAS BATERÍAS

La duración de las baterías es de unas 8 horas. Si se enciende el indicador de batería baja deberá sustituir las baterías inmediatamente.

CONFIGURACIÓN Y FUNCIONAMIENTO DEL SISTEMA:

USO DE LA ENTRADA DE MICRÓFONO CONECTADO POR CABLE

Conecte el jack de 6,3 mm del cable de micrófono a la entrada MIC. Esta entrada se encuentra en el panel posterior del Roadboy. Asegúrese de que el otro extremo del cable está correctamente conectado al micrófono. Si el micrófono dispone de un interruptor de encendido/apagado, sitúelo en la posición de encendido (ON). A continuación, use el control de ganancia MIC para equilibrar el nivel entre las entradas de línea y micro. Si el nivel de micro es demasiado alto, puede producirse una distorsión.

USO DEL MÓDULO INALÁMBRICO

Primero, ajuste el control de nivel MASTER del Roadboy en la posición cero. A continuación, gire el control POWER-VOL del módulo inalámbrico hasta la posición de las doce en punto. Ahora, sincronice el transmisor (micrófono de mano o petaca) con el receptor integrado, mediante la función ASC: Pulse el botón ASC del módulo inalámbrico; el LED ASC parpadeará en color rojo.

Si está usando un micrófono transmisor de mano: El sensor de infrarrojos (IR) está situado en el compartimento de baterías, justo debajo de la cápsula. Mantenga el micro cerca del sensor de infrarrojos del módulo receptor inalámbrico.

Si está usando una petaca: Deberá activar también la función de ASC en la petaca. A continuación, mantenga el sensor de infrarrojos (IR), situado en la parte posterior de la petaca, cerca del puerto de infrarrojos del módulo receptor inalámbrico. La sincronización dura unos segundos. Si ha instalado un segundo módulo inalámbrico (opcional), asegúrese de que los dos módulos no funcionan en la misma frecuencia, para evitar interferencias (consulte la lista de frecuencias). Si el LED de RF parpadea, indica que el sistema está funcionando y que la sincronización se ha realizado correctamente. Ahora podrá aumentar el volumen MASTER del Roadboy hasta el nivel deseado. La distancia máxima entre el micrófono inalámbrico (o petaca) y el módulo receptor es de unos 60 m en espacio libre de obstáculos.

USO DE LA SALIDA "EXT. SPEAKER" SPEAKER" OUTPUT

Utilice un cable de altavoz con jack de 6,3 mm para conectar el altavoz externo. El altavoz debe tener una impedancia comprendida entre 4 y 8 ohmios y una potencia mínima de 25 W.

CARGA DEL ROADBOY

Conecte el adaptador de corriente (16 V, 3 A) suministrado con el Roadboy para utilizar el sistema sin baterías o para cargar las baterías. El tiempo de carga es de 8 horas. La carga se detiene automáticamente cuando la batería está completamente cargada. Si mantiene enchufado el Roadboy a la toma de corriente alterna podrá funcionar tanto tiempo como desee.

¡IMPORTANTE!

Cuando conecte una batería por primera vez o cuando sustituya la batería ¡DEBE tener en cuenta la polaridad! Rojo = + (positivo), Negro = - (negativo).

La primera carga del Roadboy dura unas 15 horas. Este procedimiento aumenta la vida y la capacidad de la batería. Repita este procedimiento cada 2 o 3 meses. Para ello, asegúrese de que la batería está descargada.

ENGLISH

DEUTSCH

FRANCAIS

ESPAÑOL

POLSKI

ITALIANO



ESPECIFICACIONES TÉCNICAS:

BASIC SPECIFICATIONS

Output power: MAX 25 W RMS / 4 Ω
Frequency response: 80 Hz - 15 kHz
Maximum sound pressure: 110 dB
Speaker: 6.5 - inch full range
Power: 200 V - 250 V Switching power supply
DC 16 V / 3 A
Batteries: 12 V / 2.9 AH
THD: <0,5 %
Size (W x H x D): 300 x 200 x 230 mm
Weight: 5 kg
Receiver module: 863 - 865 MHz
Operating time: 5 hours

CD PLAYER

Product type:
Compact disc digital audio system with mechanic & electronic anti-shock CD, CD-R, CD-R/W, MP3, WMA, USB, SD, MP3, WMA available.
Disc loading: Slot-in Type
Supply voltage: DC 12 V (10 ~ 14 V)
Power consumption: Within 5 W
Dimensions (W x H x D): 160 x 147.4 x 68.5 mm
Weight: 1.2 kg

RECEIVER

Channels: 16
Carrier frequency range: 863 - 865 MHz
Audio bandwidth: 60 Hz - 16 kHz
THD: <1%
Signal/noise ratio: >100 dB
Modulation: FM
Dimensions: 212 x 160 x 44 mm
Net weight: 860 g
Power requirements: 12 - 18 V DC / 300 mA, ext. power supply

HANDHELD TRANSMITTER

Channels: 16
Carrier frequency range: 863 - 865 MHz
Capsule type: Dynamic
Polar pattern: Cardioid
RF Output power: 10 mW
Audio bandwidth: 60 Hz - 16 kHz
Signal/noise ratio: >102 dB
Modulation: FM
Dimensions: 235 x 54 mm
Net weight: 280 g
Power requirements: 2 x „AA“ -batteries
Battery Life: >10 hours

BELT PACK TRANSMITTER

Channels: 16
Carrier frequency range: 863 - 865 MHz
RF Output power: 6 mW
Max. input level: 6 mV
Audio bandwidth: 60 Hz - 16 kHz
Signal/noise ratio: >102 dB
Modulation: FM
Dimensions: 85 x 65 x 24 mm
Net weight: 80 g
Power requirements: 2 x „AA“ -batteries
Battery Life: >10 hours, depending on batteries

Since all our products are constantly controlled and improved, technical changes are possible without prior notice.

ENGLISH

DEUTSCH

FRANCAIS

ESPAÑOL

POLSKI

ITALIANO

ESPECIFICACIONES TÉCNICAS:

LDWS1616 / Roadman / Roadboy

Lista de frecuencias sin intermodulación para usar simultáneamente hasta tres micrófonos inalámbricos.

Nr.	Frecuencia (MHz)	Simultaneidad
1	863,100	X
2	863,900	
3	864,500	
4	864,900	
5	863,200	
6	863,300	
7	863,400	
8	863,500	
9	863,600	
10	863,700	X
11	863,800	
12	864,000	
13	864,100	X
14	864,200	
15	864,300	
16	864,400	

ENGLISH

DEUTSCH

FRANCAIS

ESPAÑOL

POLSKI

ITALIANO



EC Declaration of Conformity EG Konformitäts-Erklärung Déclaration CE de Conformité

We / Wir / Nous **Adam Hall GmbH**
Daimlerstr. 9
D- Neu-Anspach

declare in exclusive responsibility that the product
erklären in alleiniger Verantwortung, dass das Produkt
déclarons sous notre seule responsabilité que le produit

Model **LD Portable PA Systems**
Modell **LD Portable PA Systems**
modèle **LD Portable PA Systems**

Type / Typenbezeichnung / type

LD Roadmen / Roadboy

to which this declaration relates is in conformity with the following standards:
auf das sich diese Erklärung bezieht, mit den folgenden Normen übereinstimmt:
auquel se réfère cette déclaration est conforme aux normes:

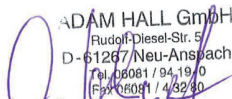
EN 50371
EN 60065: 2002
EN 300422-1
EN 300422-2
EN 301489-1
EN 301489-9

following the provisions of directive
gemäß den Bestimmungen der Richtlinie
conformément aux dispositions de directive

89 / 336 / EEC (Electromagnetic compatibility)
(Elektromagnetische Verträglichkeit)

73 / 23 / EEC (Low Voltage Equipment)
(Niederspannungsrichtlinie)

1999/5/EC European R&TTE Directive 1999/5/EC of 9th March, 1999.


ADAM HALL GmbH
Rudolf-Diesel-Str. 5
D - 61267 Neu-Anspach
Tel. 06081 / 94-19-0
Fax 06081 / 43230

Neu-Anspach, 01.09.2009

Markus Jahnel

Vertriebsleiter / Sales Manager / Chef des ventes


Geprüft

Neu-Anspach, 01.08.2009

Michael Rösch

Qualitäts Prüfer / Quality Manager / Calidad Director

ENGLISH

DEUTSCH

FRANCAIS

ESPAÑOL

POLSKI

ITALIANO

DECLARACIÓN DEL FABRICANTE:

GARANTÍA LIMITADA

Esta garantía limitada se aplica a los productos de la marca Adam Hall, LD Systems, Defender, Palmer y Eminence.

No afecta a los derechos de garantía legal que asume el vendedor. De hecho, le concede al usuario derechos adicionales ante Adam Hall, independientes de la garantía legal.

Adam Hall garantiza que el producto que ha adquirido de Adam Hall o de cualquier distribuidor autorizado de Adam Hall estará exento de defectos de material y mano de obra, en condiciones normales de uso, durante un período de 2 o 5 años a partir de la fecha de compra.

La garantía limitada entra en vigor el día de la fecha de compra. Para tener derecho a esta garantía será necesario presentar un justificante de compra válido en el que figure la fecha de compra del producto, por ejemplo, la factura o el albarán de entrega. Si el producto que ha adquirido necesitara una reparación durante la vigencia de la garantía limitada, tendrá derecho a obtener los servicios de garantía conforme a los términos y condiciones establecidos en este documento.

Esta garantía limitada se aplica únicamente al comprador original de este producto de Adam Hall y no se puede transferir a terceras personas a las que el comprador haya cedido la propiedad del producto. Durante el periodo de garantía limitada, Adam Hall se compromete a reparar o sustituir las piezas defectuosas del producto. Todas las piezas o componentes retirados durante la reparación pasarán a ser propiedad de Adam Hall.

En el caso poco probable de que se produzca un fallo recurrente en el producto adquirido, Adam Hall, a su entera discreción, podrá optar por sustituir dicho producto por otro de similares características.

Adam Hall no garantiza el funcionamiento ininterrumpido y sin fallos de este producto. Adam Hall no se hace responsable de los posibles daños ocasionados por no seguir las instrucciones de uso suministradas con el producto Adam Hall.

Esta garantía limitada no se aplica:

- en caso de desgaste normal de los consumibles (baterías, etc.)
- a los productos cuyo número de serie ha sido borrado, o que han quedado dañados y defectuosos debido a un accidente
- en caso de defectos ocasionados por una incorrecta utilización o manipulación, o cualquier otra causa ajena
- en caso de utilización del producto no conforme con los parámetros establecidos en la documentación facilitada con el producto
- en caso de utilización de piezas de repuesto no fabricadas o vendidas por Adam Hall
- si el producto ha sido modificado o reparado por personal no autorizado por Adam Hall

Estos términos y condiciones constituyen el acuerdo de garantía íntegro y exclusivo entre usted y Adam Hall en relación con el producto Adam Hall que acaba de adquirir.

ENGLISH

DEUTSCH

FRANCAIS

ESPAÑOL

POLSKI

ITALIANO

DECLARACIÓN DEL FABRICANTE:

LIMITACIÓN DE RESPONSABILIDAD

Si su producto Adam Hall no funciona de acuerdo con las garantías mencionadas arriba, tendrá derecho exclusivamente a la reparación o sustitución del mismo. La responsabilidad máxima de Adam Hall en virtud de los términos de esta garantía está limitada al menor importe que resulte del precio de compra del producto, del coste de la reparación o la sustitución de las piezas que han dejado de funcionar en condiciones normales de uso.

Adam Hall no será responsable de cualquier daño causado por el producto o por el mal funcionamiento del producto, incluidas la pérdida de ganancias, la pérdida de ahorros o cualquier consecuencia derivada de dichas pérdidas. Adam Hall no se hará responsable de ninguna reclamación presentada por un tercero o por el comprador inicial en nombre de un tercero.

Esta limitación de responsabilidad se aplicará con independencia de que se solicite una indemnización por daños y perjuicios, o se presenten reclamaciones por negligencia, contractuales o de cualquier otra índole, y no podrá ser derogada o modificada. Esta limitación de responsabilidad será efectiva incluso en el caso de que el comprador hubiese avisado previamente a Adam Hall o a alguno de sus representantes de la posibilidad de reclamar daños y perjuicios. No obstante, esta limitación de responsabilidad no tendrá efecto en caso de reclamación por daños personales.

Esta garantía limitada le otorga derechos legales específicos. Puede que posea derechos adicionales conforme a la legislación del país o Estado en el que se encuentre. Le recomendamos que consulte la legislación vigente en su país o Estado para conocer el alcance de sus derechos.

APLICACIÓN DE LA GARANTÍA

Para solicitar asistencia técnica en relación con el producto en garantía, póngase en contacto con Adam Hall o con el distribuidor autorizado donde adquirió el producto.

DECLARACIÓN CE DE CONFORMIDAD

Estos productos cumplen los requisitos esenciales de las directivas europeas 1999/5/CE y 89/336/CE, así como las correspondientes cláusulas adicionales.

ELIMINACIÓN CORRECTA DE ESTE PRODUCTO (DESECHOS ELÉCTRICOS)

(Aplicable en la Unión Europea y en los países europeos que dispongan de un sistema de recogida selectiva)



El símbolo que aparece sobre el producto o en la documentación adjunta indica que, al final de su vida útil, no deberá desecharse con los demás residuos domésticos. Para evitar posibles efectos negativos en el medio ambiente y en la salud humana debidos al vertido incontrolado de desechos, no mezcle este producto con los demás residuos. La recogida selectiva ayuda a su posterior reciclaje y fomenta la reutilización sostenible de los componentes de este equipo.

Si usted es un particular, deberá ponerse en contacto con el distribuidor donde adquirió este producto, o con el ayuntamiento, para informarse sobre el reciclaje adecuado de este equipo.

Si usted es una empresa, deberá ponerse en contacto con su proveedor e informarse sobre los términos y condiciones de su contrato de compra-venta. Este producto no debe mezclarse con otros residuos industriales.

DECLARACIÓN DEL FABRICANTE:

ENGLISH

DEUTSCH

FRANCAIS

ESPAÑOL

POLSKI

ITALIANO

DECLARACIÓN SOBRE WEEE

Este producto LD-Systems se ha desarrollado y fabricado con materiales y componentes de alta calidad que se pueden reciclar o reutilizar. Este símbolo indica que los equipos eléctricos y electrónicos deben separarse del resto de residuos comunes al final de su vida útil.

Para desechar este producto, llévelo al punto de recogida municipal o al centro de reciclaje específico para este tipo de equipos. De este modo, contribuirá a proteger el medioambiente.

PILAS Y ACUMULADORES

Las pilas suministradas o las pilas recargables se pueden reciclar. Para desecharlas, dépositelas en un contenedor especial o entréguelas a su proveedor especializado. Para proteger el medioambiente, deseché sólo pilas gastadas.



ENGLISH

DEUTSCH

FRANCAIS

ESPAÑOL

POLSKI

ITALIANO

Dziękujemy za wybór LD Systems!

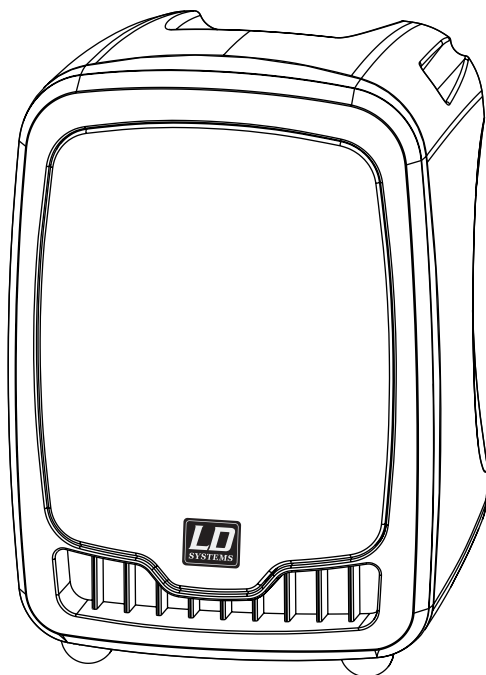
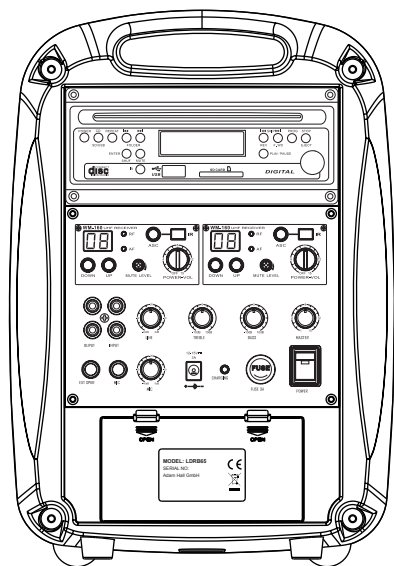
Zaprojektowaliśmy ten produkt tak, aby działał sprawnie przez wiele lat. LD-Systems gwarantuje wysoką jakość produktów swoją marką i wieloma latami doświadczenia jako producent.

Prosimy abyś zapoznał się dokładnie z niniejszą instrukcją, ponieważ chcemy abyś szybko mógł cieszyć się w pełni swoim nowym produktem LD Systems.

Więcej informacji na temat LD Systems znajdziesz na naszej stronie internetowej: WWW.LD-SYSTEMS.COM

LD ROADBOY 6.5

PRZENOŚNY ZESTAW AKUSTYCZNY 25 W



ENGLISH

DEUTSCH

FRANCAIS

ESPAÑOL

POLSKI

ITALIANO

ŚRODKI BEZPIECZEŃSTWA:

1. Przeczytaj uważnie dołączone informacje na temat bezpieczeństwa i następujące po nich wskazówki.
2. Zachowaj pełną dokumentację produktu.
3. Używaj urządzenia zgodnie z jego przeznaczeniem.
4. Przestrzegaj przepisów dotyczących zarządzania odpadami. Posegreguj elementy opakowania na części z tworzywa sztucznego i tektury przed ich przekazaniem do utylizacji.
5. Przekaż urządzenie wykwalifikowanym pracownikom serwisu, jeżeli zostało uszkodzone, narażone na kontakt z deszczem lub płynami, lub gdy nie działa prawidłowo.
6. Nie przechowuj urządzenia w pobliżu źródeł ciepła takich jak piece, kaloryfery i inne urządzenia (w tym wzmacniacze). Zawsze dbaj o zachowanie odległości między urządzeniem, a wzmacniaczami, ścianami, skrzyniami itd. aby zapobiec przegrzaniu.
7. Po podłączeniu upewnij się, że wszystkie połączenia są wykonane prawidłowo, aby uniknąć jakiegokolwiek rodzaju wypadku lub szkody.
Nigdy nie używaj wadliwego okablowania.
8. Używaj wyłącznie zatwierdzonych i stabilnych statywów, zaczepów, półek, stołów itp. przy instalacji. Po montażu sprawdź stabilność konstrukcji.
9. Występowanie zakłóceń w systemach bezprzewodowych
Równoczesne używanie kilku mikrofonów bezprzewodowych (jeżeli są niezbyt oddalone od siebie) może prowadzić do pojawienia się zakłóceń w sygnale mikrofonowym, które mogą być słyszalne w zestawie PA.

UWAGA:



Aby zmniejszyć zagrożenie porażeniem elektrycznym, nie zdejmuj pokrywy (lub tylnej części obudowy). Brak elementów serwisowalnych przez użytkownika wewnątrz. Przekaż obsługę serwisową wykwalifikowanym fachowcom.



Symbol błyskawicy wewnątrz trójkąta równobocznego ostrzega użytkownika o niez izolowanych częściach pod niebezpiecznym napięciem wewnątrz obudowy produktu, które w znaczący sposób zwiększają zagrożenie dla zdrowia i życia osób.



Znak wykrzyknika wewnątrz trójkąta równobocznego zwraca uwagę użytkownika na ważne wskazówki odnośnie obsługi lub konserwacji (serwisu) umieszczone w instrukcjach i opisach dostarczonych wraz z produktem.

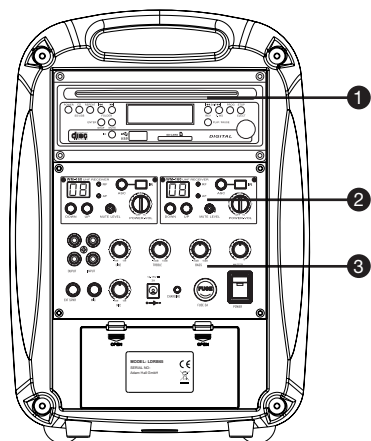
OSTRZEŻENIE! WYSOKI POZIOM GŁOŚNOŚCI!

Opisywany system transmisyjny jest przeznaczony do zastosowań profesjonalnych. Dlatego też komercyjne użytkowanie tego sprzętu podlega zasadom i przepisom bezpieczeństwa właściwym dla danego sektora działalności, w tym regulacjom określonym przez towarzystwa ubezpieczeniowe. Firma Adam Hall, jako wytwórca, jest zobowiązany do formalnego poinformowania o istnieniu potencjalnych zagrożeń zdrowia.

System może być źródłem fali dźwiękowej o ciśnieniu akustycznym rzędu 80 dB. Zgodnie z obowiązującymi przepisami, ucho ludzkie może być narażone w czasie dnia roboczego na działanie dźwięków o poziomie 85 dB. Poziom ten, na podstawie ekspertyz technicznych specjalistów od medycyny pracy, został przyjęty jako podstawa klasyfikacji hałasu. Wyższy poziom dźwięku lub dłuższy czas narażenia mogą spowodować uszkodzenie słuchu. Przy wyższych poziomach ciśnienia akustycznego czas narażenia powinien być skrócony, aby zapobiec uszkodzeniu słuchu. Poniżej opisano kilka objawów mogących wskazywać na to, że byłeś zbyt długo narażony na działanie dźwięków o zbyt wysokim poziomie ciśnienia akustycznego:

- Słyszysz dzwonienie lub gwizd w uszach,
- Odnosisz wrażenie, że nie słyszysz wysokich tonów.

PANEL TYLNY:



1 ODTWARZACZ CD

Cyfrowy odtwarzacz CD ze szczeliną na płytę i wejściem zewnętrznej pamięci USB i gniazdem karty SD. Odtwarzacz CD z funkcją antywstrząsową.
Obsługiwane pliki (odtwarzacz CD, odtwarzacz USB, czytnik karty SD): Audio CD, MP3, WMA.

2 MODUŁ ODBIORNIKA BEZPRZEWODOWEGO

Urządzenie Roadboy 6.5 jest wyposażone w moduł odbiornika bezprzewodowego. Istnieje możliwość zamontowania drugiego modułu odbiornika, co umożliwi równoczesne korzystanie z drugiego mikrofonu bezprzewodowego.

3 PANEL OBSŁUGI

Regulacja głośności: sygnał sumaryczny (Master), mikrofon przewodowy (Wired Mic), wejście liniowe (Line-In)

KOREKCJA: tony niskie i wysokie

Wejścia i wyjścia

Wyjście mocy do głośnika zewnętrznego

Wskaźnik LED: niski stan akumulatora (czerwony), ładowanie akumulatora (zielony migający), akumulator całkowicie naładowany (zielony).

ENGLISH

DEUTSCH

FRANCAIS

ESPAÑOL

POLSKI

ITALIANO

SYSTEM — ELEMENTY:

ENGLISH

Urządzenie Roadboy



DEUTSCH

Mikrofon ręczny



FRANCAIS

ESPAÑOL

Pilot

Zasilanie:



POLSKI

ITALIANO

OPCJONALNE DODATKI:

Torba do przenoszenia (LDSB21)



Nadajnik typu Belt Pack (LDWS1616BP)



Dodatkowy odbiornik (LDRM102R)



Mikrofon nagłowny czarny (LDWS100MH1)



Mikrofon nagłowny w kolorze ciała (LDWS100MH2)



Statyw na głośnik (SPS56B)



ENGLISH

DEUTSCH

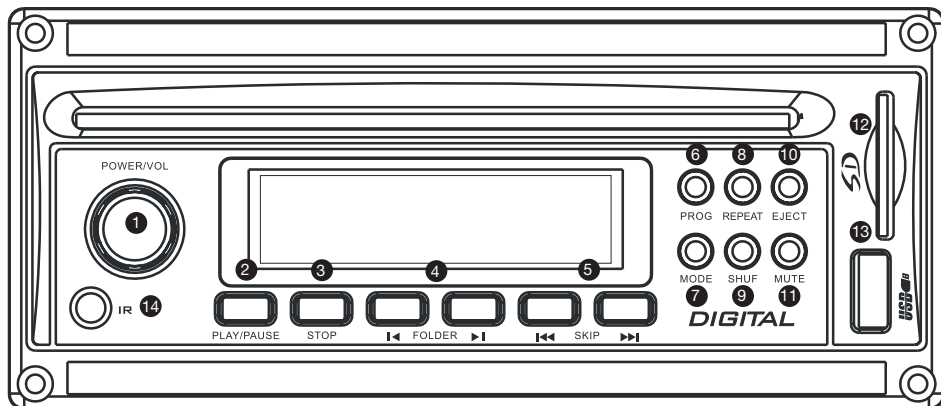
FRANCAIS

ESPAÑOL

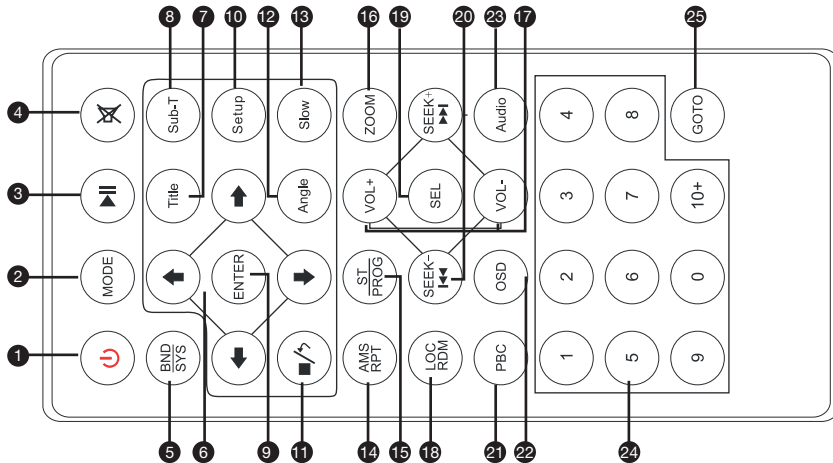
POLSKI

ITALIANO

ODTWARZACZ CD:



- 1 POWER/VOL**
Włączanie/wyłączanie, regulacja głośności
- 2 ODTWARZANIE/PAUZA**
- 3 STOP**
Zatrzymanie odtwarzania, powrót do menu głównego
- 4 FOLDER**
Funkcja dostępna w trybie USB, płyty CD MP3 i karty SD
W trybie zatrzymania odtwarzania: przyciski FOLDER (lewy/prawy) umożliwiają przejście do poprzedniego/następnego folderu.
W trybie odtwarzania: przyciski FOLDER (lewy/prawy) umożliwiają przejście do pierwszego pliku w poprzednim/następnym folderze.
- 5 PRZYCISKI SKIP (LEWY/PRAWY)**
W trybie odtwarzania i zatrzymanie przyciski SKIP (lewy/prawy) umożliwiają przejście do poprzedniego/następnego utworu.
Naciśnięcie i przytrzymanie przycisku SKIP w trybie odtwarzania umożliwi szybkie przewijanie utworu w przód (prawy przycisk SKIP) lub wstecz (prawy przycisk SKIP).
- 6 PROG**
Funkcja niedostępna
- 7 MODE**
Przycisk umożliwia przełączanie trybów SD, USB i CD
- 8 REPEAT**
Jedno naciśnięcie przycisku umożliwia powtórzenie odtwarzania bieżącego utworu.
Dwukrotne naciśnięcie przycisku umożliwia powtórzenie odtwarzania wszystkich utworów.
- 9 SHUF**
Odtwarzanie utworów w kolejności losowej
- 10 EJECT**
Przycisk umożliwia wyjęcie płyty
- 11 MUTE**
Wyciszenie głośności odtwarzacza SD, USB lub CD.
- 12 GNIAZDO KARTY SD**
- 13 USB 2.0**
Gniazdo wejściowe pamięci zewnętrznej
- 14 IR**
Moduł odbiornika sygnału pilota



Urządzenie Roadboy 6.5 jest wyposażone w dwa moduły odbiornika sygnału podczerwieni z pilota. Jeden jest umieszczony na przedniej, a drugi na tylnej płycie urządzenia. Umożliwia to korzystanie z pilota zarówno przed, jak i za głośnikiem.

- 1 PRZYCIISK ZASILANIA:** przełącznik zasilania
- 2 PRZYCIISK MODE:** przycisk przełączania trybu
- 3 :** przycisk pauzy/odtworzenia
- 4 :** wielokrotne naciśnięcie tego przycisku na krótko umożliwia wyciszenie i przywrócenie głośności dźwięku
- 5 BND/SYS**
Funkcja niedostępna
- 6 / / / :**
Funkcja niedostępna
- 7 PRZYCIISK TITLE:**
Funkcja niedostępna
- 8 PRZYCIISK SUB-T:**
Funkcja niedostępna
- 9 PRZYCIISK ENTER:**
Funkcja niedostępna
- 10 PRZYCIISK SETUP:**
Funkcja niedostępna
- 11 :**
Przycisk zatrzymania odtwarzania
- 12 PRZYCIISK ANGLE:**
Funkcja niedostępna
- 13 PRZYCIISK SLOW:**
Funkcja niedostępna
- 14 PRZYCIISK AMS/RPT:**
Jedno naciśnięcie przycisku umożliwia powtórzenie odtwarzania bieżącego utworu. Dwukrotne naciśnięcie przycisku umożliwia powtórzenie odtwarzania wszystkich utworów.
- 15 PRZYCIISK ST/PROG:**
Funkcja niedostępna
- 16 ZOOM**
- 17 Audio**
- 18 LOC RDM**
- 19 VOL+**
- 20 SEEK- :**
- 21 OSD**
- 22 PBC**
- 23 SEL**
- 24**
- 25 GOTO**

PILOT ODTWARZACZA CD:

16 ZOOM BUTTON:

Funkcja niedostępna

17 PRZYCIISK VOL+ /VOL-:

Umożliwia zwiększanie lub zmniejszanie głośności.

18 PRZYCIISK LOC / RDM

Przycisk LOC / RDM umożliwia odtwarzanie utworów w kolejności losowej.

19 PRZYCIISK SEL:

Przycisk umożliwia przełączanie trybów SD, USB i CD

20 I◀ / ▶I:

W trybie odtwarzania i zatrzymanie przyciski SKIP (lewy/prawy) umożliwiają przejście do poprzedniego/następnego utworu.

Naciśnięcie i przytrzymanie przycisku SKIP w trybie odtwarzania umożliwia szybkie przewijanie utworu w przód (prawy przycisk SKIP) lub wstecz (prawy przycisk SKIP).

21 PRZYCIISK PBC:

Funkcja niedostępna

22 PRZYCIISK OSD:

Funkcja dostępna w trybie Audio CD.

Bez naciskania: na wyświetlaczu widoczny jest czas odtwarzania utworu

Naciśnięcie jeden raz:

Na wyświetlaczu widoczny jest pozostały czas odtwarzania bieżącego utworu

Naciśnięcie dwukrotnie:

Na wyświetlaczu widoczny jest czas odtwarzania płyty CD

Naciśnięcie trzykrotnie:

Na wyświetlaczu widoczny jest pozostały czas odtwarzania płyty CD

23 AUDIO (FUNKCJA RÓWNOWAŻENIA KANAŁÓW STEREOFONICZNYCH): Funkcja niedostępna

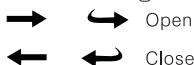
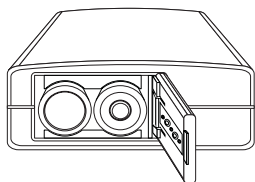
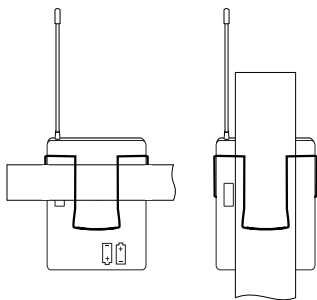
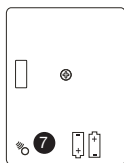
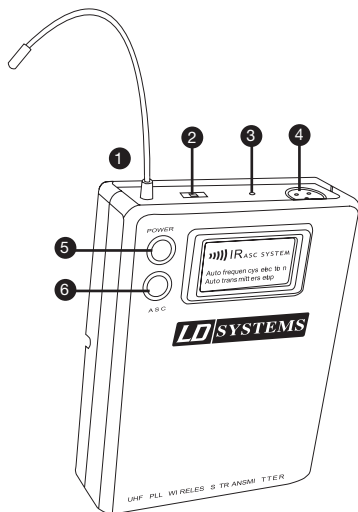
24 PRZYCIISK 1-10+:

Funkcja niedostępna

25 PRZYCIISK GOTO:

Funkcja niedostępna

NADAJNIK BELT PACK:



1 ANTENA

2 USTAWIENIA WZMOCNIENIA

Mikrofonowe: mikrofon
0 gitara z przetwornikiem pasywnym
-10 dB gitara z przetwornikami aktywnymi

3 WSKAŹNIK LED ZASILANIA:

Zielony: praca
Czerwony: niski poziom naładowania baterii
Migoczący na czerwono: trwa nadawanie sygnału z użyciem podczerwieni

4 WEJŚCIE MIKROFONOWE MINI XLR

5 PRZYCIŚK WŁĄCZANIA/WYŁĄCZANIA ZASILANIA

6 PRZYCIŚK ASC (URUCHAMIANIA SYNCHRONIZACJI)

Naciśnięcie tego przycisku powoduje uruchomienie łączności przez podczerwień pomiędzy nadajnikiem a odbiornikiem

7 INTERFEJS PODCZERWIENI

Umożliwia odbiór sygnałów podczerwieni wysyłanych przez nadajnik w celu zsynchronizowania nadajnika z odbiornikiem.

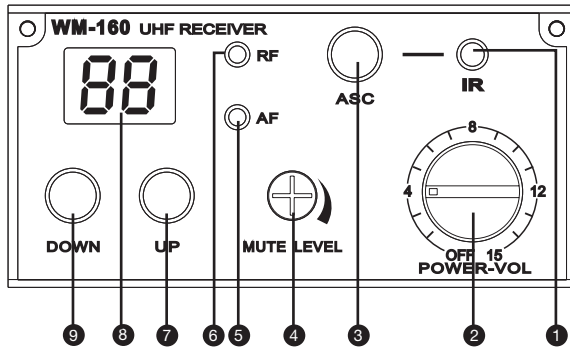
NOSZENIE NADAJNIKA BELTPACK

Przyczep odbiornik do paska za pomocą uchwytu. Dla uzyskania pewnego mocowania nasuń uchwyt na pasek tak głęboko, jak to możliwe. Gitarzyści powinni „przeciągnąć” pasek gitary przez uchwyt odbiornika.

WYMIANA BATERII

Przewidywany czas działania urządzenia na dwóch bateriach alkalicznych wynosi około 8 godzin. Gdy wskaźnik stanu baterii miga na czerwono, należy natychmiast wymienić baterie, postępując w sposób pokazany z lewej strony. Włóż 2 baterie alkaliczne typu AA (LR6 1,5 V)

MODUŁ ODBIORNIKA BEZPRZEWODOWEGO:



1 OKIENKO PODCZERWIENI

Umożliwia wysyłanie sygnałów do nadajnika (mikrofonu ręcznego) w celu zsynchronizowania częstotliwości

2 POWER

Przełącznik zasilania i regulator głośności

3 ASC

Po wybraniu częstotliwości nadawania w odbiorniku naciśnij przycisk ASC, aby zsynchronizować nadajnik. Przytrzymaj interfejs podczerwieni mikrofonu przed interfejsem podczerwieni odbiornika. (Synchronizacja z nadajnikiem Beltpack: aby włączyć synchronizację, naciśnij przycisk ASC w urządzeniu Beltpack i odbiorniku).

4 MUTE LEVEL

Regulacja ustawienia wyciszania odbiornika: Funkcja powoduje wytłumienie zakłóceń przy wyłączonym nadajniku lub wtedy, gdy odbiornik nie jest w stanie odbierać dostatecznie silnego sygnału z nadajnika.

Ustawienie wyciszania odbiornika jest nastawione fabrycznie, co zapewnia optymalne działanie układu. W normalnym przypadku nie są wymagane żadne dodatkowe regulacje.

Jeśli konieczne jest dokonanie ponownej regulacji, można ustawić poziom wyciszania w taki sposób, aby przy wyłączonym nadajniku, odbiornik nie wykrywał zakłóceń. Umożliwia to wytłumienie zakłóceń, niemniej w niektórych okolicznościach może zmniejszyć zasięg systemu. W przypadku obniżenia poziomu wyciszania, zakłócenia mogą w większym stopniu wpływać na jakość łączności. W niektórych warunkach jednak umożliwia to zwiększenie zasięgu systemu.

5 AF

Wskaźnik sygnalizuje odbieranie sygnału audio przez moduł

6 RF

Wskaźnik sygnalizuje, czy moduł odbiera sygnał radiowy

7 PRZYCIŚC UP

Przełączanie na wyższy kanał

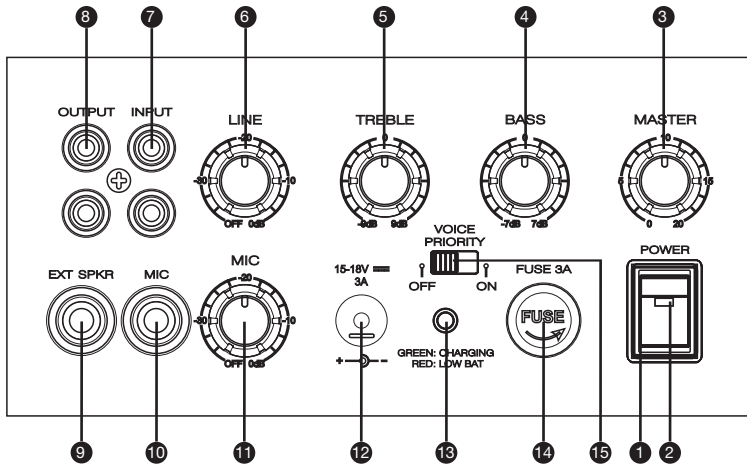
8 WYŚWIETLACZ CYFROWY

Cyfrowy wskaźnik kanału

9 PRZYCIŚC DOWN

Przełączanie na niższy kanał

PANEL OBSŁUGI:



1 PRZEŁĄCZNIK ZASILANIA

Główny przełącznik zasilania (umożliwia włączenie lub wyłączenie całego układu)

2 WSKAŹNIK LED

Świecenie się wskaźnika na czerwono oznacza działanie układu. Świeci przy włączonym zasilaniu.

3 REGULATOR GŁOŚNOŚCI MASTER

Steruje całkowitą głośnością układu

4 BASS

Regulator barwy dźwięku (tonów niskich)

5 TREBLE

Regulator barwy dźwięku (tonów wysokich)

6 REGULATOR GŁOŚNOŚCI LINE

Regulator głośności sygnału z wejścia liniowego (RCA)

7 WEJŚCIE SYGNAŁU LINIOWEGO RCA

8 WYJŚCIE SYGNAŁU LINIOWEGO RCA

9 WYJŚCIE GŁOŚNIKA ZEWNĘTRZNEGO

Wyjście umożliwia dołączenie dodatkowego głośnika pasywnego. Przy korzystaniu z tego wyjścia dźwięk jest emitowany zarówno przez urządzenie Roadboy, jak i głośnik pasywny. (min. 4 Ω)

10 WEJŚCIE MIKROFONOWE

11 REGULATOR GŁOŚNOŚCI MIKROFONU

12 GNIAZDO ZASILACZA NAPIĘCIA STAŁEGO

13 WSKAŹNIK ŁADOWANIA/NISKIEGO POZIOMU AKUMULATORA

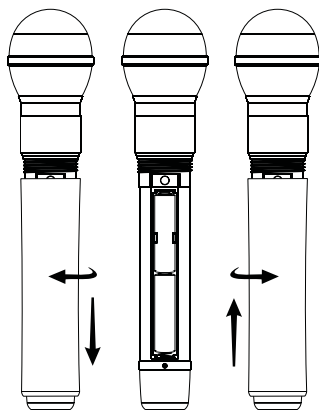
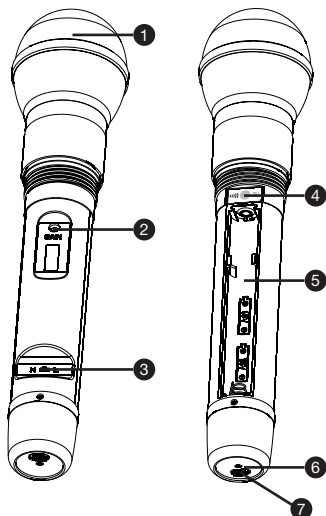
Wskaźnik LED: niski stan akumulatora (czerwony), ładowanie akumulatora (zielony migający), akumulator całkowicie naładowany (zielony).

14 BEZPIECZNIK 3 A

15 PRZEŁĄCZNIK FUNKCJI VOICE PRIORITY

Włączenie funkcji Voice Priority podczas odtwarzania muzyki powoduje automatyczne obniżanie głośności muzyki podczas mówienia do mikrofonu. Po zakończeniu mówienia poziom głośności muzyki ponownie wzrasta. Funkcja ta jest nazywana „Talk Over”.

NADAJNIK RĘCZNY:



1 SIATKA GŁOWICY MIKROFONU

2 REGULATOR WZMOCNIENIA (GAIN)

Regulator umożliwia dopasowanie czułości mikrofonu (w lewo zmniejszenie, w prawo zwiększenie). Ustawienia fabryczne powinny być w pełni zadowalające.

3 PRZEŁĄCZNIK MOCY SYGNAŁU RADIOWEGO

H oznacza wysoką, zaś L niską moc sygnału.

4 INTERFEJS PODCZERWIENI

Umożliwia odbiór sygnałów podczerwieni wysyłanych przez nadajnik w celu zsynchronizowania nadajnika z odbiornikiem.

5 KOMORA NA BATERIE

Włóż 2 baterie alkaliczne typu AA (LR6 1,5 V)

6 WSKAŹNIK POWER/ASC

Świeci na zielono: zasilanie załączone
Miga na zielono: trwa nadawanie sygnału z użyciem podczerwieni
Miga na czerwono: niski poziom naładowania baterii

7 PRZEŁĄCZNIK ZASILANIA

WYMIANA BATERII

Baterie wystarczają na około 8 godzin użytkowania. Po zaświeceniu się wskaźnika niskiego poziomu naładowania, baterie należy niezwłocznie wymienić.

USTAWIENIA I OBSŁUGA SYSTEMU:

ENGLISH

DEUTSCH

FRANCAIS

ESPAÑOL

POLSKI

ITALIANO

KORZYSTANIE Z WEJŚCIA MIKROFONU PRZEWODOWEGO

Podłącz wtyk kabla mikrofonowego (typu Jack 6,3 mm) do gniazda typu Jack oznaczonego jako MIC. Wejście to jest umieszczone na tylnej ścianie urządzenia Roadboy. Upewnij się, że drugi koniec kabla jest prawidłowo podłączony do mikrofonu. Jeśli mikrofon jest wyposażony w wyłącznik, ustaw go w położeniu włączenia (ON). Następnie, za pomocą pokrętki regulacji wzmocnienia MIC, ustaw odpowiedni poziom sygnału z wejścia MIC względem sygnału z wejścia LINE. Zbyt wysoki poziom sygnału z wejścia MIC może powodować zakłócenia (przesterowanie).

KORZYSTANIE Z MODUŁU BEZPRZEWODOWEGO

Najpierw ustaw pokrętko poziomu głośności MASTER urządzenia Roadboy w położeniu zerowym. Następnie obróć przełącznik POWER-VOL modułu bezprzewodowego w położenie „godziny dwunastej”. Teraz możesz zsynchronizować nadajnik (ręczny mikrofon lub urządzenie Belt Pack) z wbudowanym odbiornikiem za pomocą funkcji ASC: naciśnij przycisk ASC w module odbiornika bezprzewodowego; diodowy wskaźnik ASC zaczyna migać na czerwono.

W przypadku korzystania z nadajnika ręcznego: Czujnik podczerwieni (IR) jest umieszczony w komorze baterii pod kapsułą. Przytrzymaj go blisko czujnika podczerwieni modułu odbiornika bezprzewodowego.

W przypadku korzystania z nadajnika Belt Pack: musisz włączyć funkcję ASC również w urządzeniu Belt Pack. Następnie przytrzymaj czujnik podczerwieni (o oznaczeniu IR, na tylnej ścianie) nadajnika Belt Pack w pobliżu okienka czujnika podczerwieni modułu odbiornika bezprzewodowego. Synchronizacja trwa kilka sekund. Jeśli został zainstalowany drugi (opcjonalny) moduł bezprzewodowy, upewnij się, że oba moduły nie pracują na jednej częstotliwości, co pozwoli uniknąć wszelkich zakłóceń (zob. lista częstotliwości). Migający wskaźnik RF sygnalizuje, że system działa, a synchronizacja przebiegła pomyślnie. Możesz teraz regulatorem MASTER zwiększyć głośność urządzenia Roadboy dożądanego poziomu.

Maksymalna odległość między mikrofonem bezprzewodowym (lub nadajnikiem Belt Pack) a modułem odbiornika wynosi ok. 60 m na otwartej przestrzeni.

KORZYSTANIE Z WYJŚCIA GŁOŚNIKA ZEWNĘTRZNEGO (EXT. SPEAKER) SPEAKER“ OUTPUT

Do podłączenia zewnętrznego głośnika należy zastosować kabel głośnikowy zakończony wtykiem typu Jack 6,3 mm. Zastosowany głośnik musi mieć impedancję od 4 do 8 omów i moc minimum 25 W.

ŁADOWANIE URZĄDZENIA ROADBOY

Podłącz zasilacz (16 V/3 A) dostarczony w zestawie z urządzeniem Roadboy, aby korzystać z systemu bez użycia akumulatorów lub aby naładować akumulatory. Czas ładowania wynosi 8 godzin. Proces ładowania kończy się automatycznie z chwilą pełnego naładowania akumulatora. Możesz również pozostawić urządzenie Roadboy podłączone do zasilania sieciowego i używać go dowolnie długo.

WAŻNE!

Przy podłączaniu akumulatora po raz pierwszy lub jego wymianie NALEŻY zwracać uwagę na biegunowość! Czerwony = + (plus) / czarny = - (minus).

Przy ładowaniu urządzenia Roadboy po raz pierwszy czas ładowania powinien wynosić 15 godzin. Pozwala to zwiększyć trwałość i pojemność akumulatora. Czynność tę należy powtarzać co 2-3 miesiące. Akumulator ładowany w taki sposób powinien zostać wcześniej całkowicie rozładowany.

DANE TECHNICZNE:

BASIC SPECIFICATIONS

Output power: MAX 25 W RMS / 4 Ω
 Frequency response: 80 Hz - 15 kHz
 Maximum sound pressure: 110 dB
 Speaker: 6.5 - inch full range
 Power: 200 V - 250 V Switching power supply
 DC 16 V / 3 A
 Batteries: 12 V / 2.9 AH
 THD: <0,5 %
 Size (W x H x D): 300 x 200 x 230 mm
 Weight: 5 kg
 Receiver module: 863 - 865 MHz
 Operating time: 5 hours

CD PLAYER

Product type:
 Compact disc digital audio system with mechanic & electronic anti-shock CD, CD-R, CD-R/W, MP3, WMA, USB, SD, MP3, WMA available.
 Disc loading: Slot-in Type
 Supply voltage: DC 12 V (10 ~ 14 V)
 Power consumption: Within 5 W
 Dimensions (W x H x D): 160 x 147.4 x 68.5 mm
 Weight: 1.2 kg

RECEIVER

Channels: 16
 Carrier frequency range: 863 - 865 MHz
 Audio bandwidth: 60 Hz - 16 kHz
 THD: <1%
 Signal/noise ratio: >100 dB
 Modulation: FM
 Dimensions: 212 x 160 x 44 mm
 Net weight: 860 g
 Power requirements: 12 - 18 V DC / 300 mA, ext. power supply

HANDHELD TRANSMITTER

Channels: 16
 Carrier frequency range: 863 - 865 MHz
 Capsule type: Dynamic
 Polar pattern: Cardioid
 RF Output power: 10 mW
 Audio bandwidth: 60 Hz - 16 kHz
 Signal/noise ratio: >102 dB
 Modulation: FM
 Dimensions: 235 x 54 mm
 Net weight: 280 g
 Power requirements: 2 x „AA“ -batteries
 Battery Life: >10 hours

BELT PACK TRANSMITTER

Channels: 16
 Carrier frequency range: 863 - 865 MHz
 RF Output power: 6 mW
 Max. input level: 6 mV
 Audio bandwidth: 60 Hz - 16 kHz
 Signal/noise ratio: >102 dB
 Modulation: FM
 Dimensions: 85 x 65 x 24 mm
 Net weight: 80 g
 Power requirements: 2 x „AA“ -batteries
 Battery Life: >10 hours, depending on batteries

Since all our products are constantly controlled and improved, technical changes are possible without prior notice.

DANE TECHNICZNE:

LDWS1616 / Roadman / Roadboy

Lista częstotliwości umożliwiających korzystanie równocześnie z nawet trzech mikrofonów bez intermodulacji.

Nr.	Częstotliwość w MHz	Praca równoczesna
1	863,100	X
2	863,900	
3	864,500	
4	864,900	
5	863,200	
6	863,300	
7	863,400	
8	863,500	
9	863,600	
10	863,700	X
11	863,800	
12	864,000	
13	864,100	X
14	864,200	
15	864,300	
16	864,400	

ENGLISH

DEUTSCH

FRANCAIS

ESPAÑOL

POLSKI

ITALIANO



EC Declaration of Conformity
EG Konformitäts-Erklärung
Déclaration CE de Conformité

We / Wir / Nous **Adam Hall GmbH**
Daimlerstr. 9
D- Neu-Anspach

declare in exclusive responsibility that the product
 erklären in alleiniger Verantwortung, dass das Produkt
 déclarons sous notre seule responsabilité que le produit

Model **LD Portable PA Systems**
 Modell **LD Portable PA Systems**
 modèle **LD Portable PA Systems**

Type / Typenbezeichnung / type

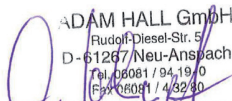
LD Roadmen / Roadboy

to which this declaration relates is in conformity with the following standards:
 auf das sich diese Erklärung bezieht, mit den folgenden Normen übereinstimmt:
 auquel se réfère cette déclaration est conforme aux normes:

- EN 50371
- EN 60065: 2002
- EN 300422-1
- EN 300422-2
- EN 301489-1
- EN 301489-9

following the provisions of directive
 gemäß den Bestimmungen der Richtlinie
 conformément aux dispositions de directive

- 89 / 336 / EEC (Electromagnetic compatibility)
(Elektromagnetische Verträglichkeit)
- 73 / 23 / EEC (Low Voltage Equipment)
(Niederspannungsrichtlinie)
- 1999/5/EC European R&TTE Directive 1999/5/EC of 9th March, 1999.


 ADAM HALL GmbH
 Rudolf-Diesel-Str. 5
 D - 61267 Neu-Anspach
 Tel. 06081 / 94-19-0
 Fax 06081 / 43230

Neu-Anspach, 01.09.2009
Markus Jahnel
 Vertriebsleiter / Sales Manager / Chef des ventes


Geprüft

Neu-Anspach, 01.08.2009
Michael Rösch
 Qualitäts Prüfer / Quality Manager / Calidad Director

ENGLISH

DEUTSCH

FRANCAIS

ESPAÑOL

POLSKI

ITALIANO

DEKLARACJA ZGODNOŚCI WE:

ENGLISH

DEUTSCH

FRANCAIS

ESPAÑOL

POLSKI

ITALIANO

OGRANICZONA GWARANCJA

Ta Ograniczona Gwarancja dotyczy produktów marek Adam Hall, LD Systems, Defender, Palmer oraz Eminence.

Niniejsza gwarancja nie wpływa na prawa gwarancyjne wynikające z przepisów lokalnych. Jest to dodatkowa, niezależna gwarancja ze strony firmy Adam Hall.

Adam Hall gwarantuje, że zakupiony produkt Adam Hall zakupiony od firmy Adam Hall lub autoryzowanego przedstawiciela Adam Hall, pozostanie wolny od wad w materiałach i wykonaniu, przy normalnym użytkowaniu przez okres 2 lub 3 lat od daty zakupu.

Okres gwarancyjny rozpoczyna się z dniem zakupu. Aby móc skorzystać z serwisu gwarancyjnego, kupujący zobowiązany jest do przedstawienia dowodu zakupu opatrzonego datą. Dokumenty takie jak paragon, faktura lub list przewozowy mogą być dowodem daty zakupu. Jeśli produkt wymienionych powyżej marek wymaga naprawy w czasie trwania okresu gwarancyjnego, nabywcy przysługują gwarancyjne usługi serwisowe zgodne z warunkami przedstawionymi w tym dokumencie.

Niniejsza gwarancja obejmuje wyłącznie oryginalnego nabywcę produktu marki Adam Hall i nie można jej przenieść na inną osobę, która przejmie własność produktu od oryginalnego nabywcy. Podczas okresu gwarancyjnego, Adam Hall zobowiązuje się do naprawy lub wymiany wadliwych komponentów produktu. Wszystkie części i elementy wymontowane z urządzenia podczas działań serwisowych stają się własnością Adam Hall.

W mało prawdopodobnym przypadku powtarzania się wady produktu Adam Hall, Adam Hall może zdecydować o dostarczeniu urządzenia zamiennego wybranego przez Adam Hall, które charakteryzuje się co najmniej takimi samymi parametrami jak reklamowany produkt.

Adam Hall nie gwarantuje, że eksploatacja produktu będzie przebiegać bezbłędnie lub nieprzerwanie.

Adam Hall nie ponosi odpowiedzialności za uszkodzenia wynikające z niezastosowania się użytkownika do instrukcji dołączonej do produktu Adam Hall.

Ta Ograniczona Gwarancja nie dotyczy,

- części podlegających normalnemu zużyciu (np. akumulator)
- produktów, których numer seryjny został usunięty, uszkodzony lub pozbawiony czytelności wyniku wypadku
- przypadków nieprawidłowego użycia, celowego uszkodzenia lub powodów zewnętrznych
- przekroczenia dopuszczalnych parametrów pracy określonych w dokumentacji dostarczonej z produktem
- użycia części zamiennych nie pochodzących od Adam Hall
- przez modyfikację lub serwis nieprzeprowadzony przez Adam Hall

Te warunki określają kompletną i wyłączną umowę gwarancyjną między Nabywcą i firmą Adam Hall odnośnie zakupionego produktu markowego Adam Hall.

OGRANICZENIE ODPOWIEDZIALNOŚCI

Jeśli Twój produkt Adam Hall nie działa prawidłowo, wskazanym i wyłącznym rozwiązaniem jest naprawa lub wymiana. Maksymalna odpowiedzialność firmy Adam Hall w związku z niniejszą gwarancją ogranicza się maksymalnie do kwoty równej cenie zakupu produktu lub kosztom naprawy lub wymiany komponentów sprzętowych, które uległy uszkodzeniu lub nie działają prawidłowo podczas normalnego użytkowania. Adam Hall nie odpowiada za jakiegokolwiek szkody spowodowane przez produkt lub awarię produktu, włącznie z utratą zysków lub oszczędności, szczególnych, przypadkowych lub powiązanych szkód. Adam Hall nie ponosi odpowiedzialności za zobowiązania użytkownika wobec stron trzecich lub zobowiązania stron trzecich wobec użytkownika.

Ograniczenie odpowiedzialności ma zastosowanie w przypadku, gdy występują roszczenia odszkodowawcze lub składane są reklamacje na podstawie niniejszej gwarancji lub jako roszczenie z tytułu czynu niedozwolonego (włączając w to zaniedbanie oraz ścisłą odpowiedzialność za produkt), roszczenie z umowy lub jakiegokolwiek inne roszczenie. Żadna osoba nie może uchylić lub zmienić tych ograniczeń odpowiedzialności. Niniejsze ograniczenie odpowiedzialności pozostaje w mocy nawet jeśli nabywca poinformował firmę Adam Hall lub jej autoryzowanego przedstawiciela o możliwości wystąpienia takich szkód. Te ograniczenia odpowiedzialności nie dotyczą roszczeń wynikających z wystąpienia obrażeń u osób.

Niniejsza Gwarancja daje Ci pewne specyficzne prawa. Mogą przysługiwać Ci również inne prawa, które różnią się między sobą zależnie od państwa nadania. Radzimy zapoznanie się z prawem właściwym krajowi zamieszkania, w celu uzyskania kompletnej wiedzy na temat przysługujących praw.

ŻĄDANIE OBSŁUGI GWARANCYJNEJ

Aby uzyskać obsługę gwarancyjną swojego produktu, skontaktuj się z firmą Adam Hall lub jej autoryzowanym przedstawicielem od którego kupiłeś produkt.

DEKLARACJA ZGODNOŚCI

Ten produkt spełnia podstawowe wymagania oraz pozostałe standardy dyrektywy UE 199/5/EU, 89/336/EU.

PRAWIDŁOWE SKŁADOWANIE TEGO PRODUKTU (ODPADY ELEKTRONICZNEI)



(Informacje mają zastosowanie w krajach członkowskich UE i innych krajach europejskich, w których obowiązuje segregacja odpadów)

Ten znak na produkcie lub dołączonej dokumentacji oznacza, że nie należy go wyrzucać wraz z domowymi odpadkami po wycofaniu z użycia. Aby zapobiec możliwym szkodom dla środowiska i ludzkiego zdrowia spowodowanym niekontrolowanym składowaniem odpadów, prosimy o oddzielenie tego produktu od innych odpadów i odpowiedzialne poddanie go recyklingowi w celu promowania ciągłego odzyskiwania zasobów materiałowych.

Użytkownicy domowi powinni skontaktować się ze sprzedawcą lub lokalnym urzędem, aby uzyskać informacje na temat przyjaznej środowisku zbiórki odpadów elektronicznych.

Użytkownicy biznesowi powinni skontaktować się ze swoim dostawcą i sprawdzić warunki kontraktu nabycia. Tego produktu nie należy mieszać z innymi odpadami komercyjnymi przy składowaniu.

DEKLARACJA ZGODNOŚCI WE:

ENGLISH

DEUTSCH

FRANCAIS

ESPAÑOL

POLSKI

ITALIANO

DEKLARACJA-WEEE



Twój produkt LD Systems został zaprojektowany i wykonany z wysokiej jakości materiałów i komponentów, które można poddać recyklingowi i/lub użyć ponownie. Ten symbol oznacza, że sprzęt elektryczny i elektroniczny należy składować osobno od normalnych odpadów po zakończeniu użytkowania.

Prosimy, przekaż ten produkt do lokalnego punktu zbiórki lub centrum recyklingowego przeznaczonego dla tego typu sprzętu. W ten sposób przyczynisz się do ochrony środowiska, w którym żyjemy.

BATERIE I AKUMULATORY



Dołączone baterie lub akumulatory można poddać recyklingowi. Prosimy, składuj je jako specjalne odpady lub zwróć do punktu nabycia. W celu ochrony środowiska wyrzucaj wyłącznie zużyte baterie.

Adam Hall GmbH, wszystkie prawa zastrzeżone. Dane techniczne i funkcjonalne produktu mogą podlegać modyfikacjom. Kopiowanie, tłumaczenie i pozostałe formy reprodukcji fragmentów lub całości tej instrukcji obsługi są zabronione.



ENGLISH

DEUTSCH

FRANÇAIS

ESPAÑOL

POLSKI

ITALIANO

Acquistando un prodotto LD Systems avete fatto la scelta giusta!

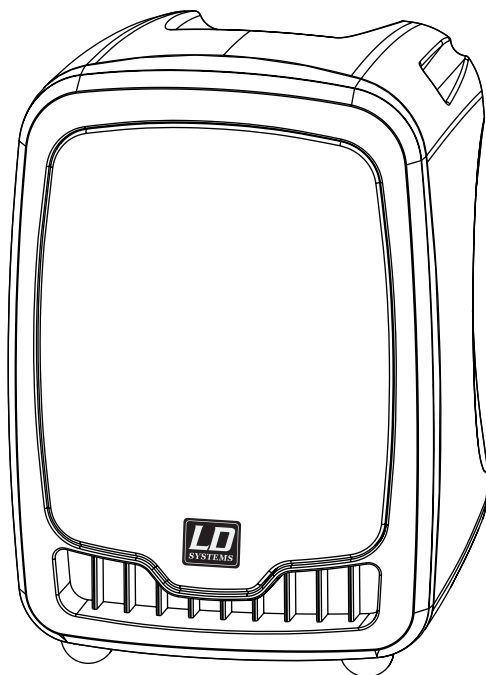
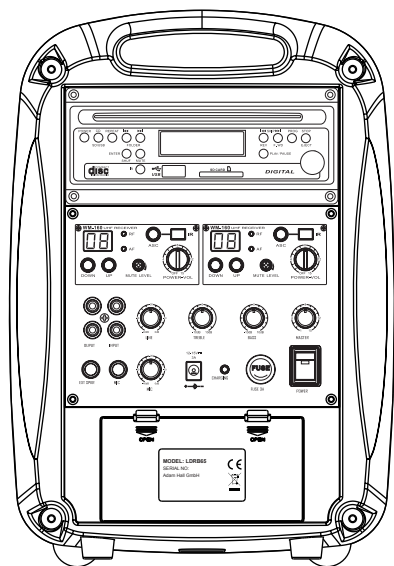
Quest'apparecchio è stato sviluppato e prodotto secondo elevati standard qualitativi che garantiscono un funzionamento regolare per molti anni. Per questo motivo LD Systems, con il suo nome e la pluriennale esperienza, rappresenta un'azienda produttrice di prodotti audio di qualità.

Leggete attentamente questo manuale d'uso per utilizzare al meglio il vostro nuovo amplificatore LD Systems.

Per ulteriori informazioni sui prodotti LD Systems consultate il nostro sito internet WWW.LD-SYSTEMS.COM

LD ROADBOY 6.5

SISTEMA AUDIO PORTATILE 25 W



ENGLISH

DEUTSCH

FRANCAIS

ESPAÑOL

POLSKI

ITALIANO

AVVERTENZE:

1. Attenersi alle avvertenze di sicurezza e leggere attentamente il presente manuale.
2. Conservare in un luogo sicuro tutte le avvertenze e le indicazioni.
3. Utilizzare l'apparecchio solo nei modi previsti dal manuale.
4. Rispettare le leggi in vigore nel paese di installazione sullo smaltimento. Separare la plastica dalla carta e dal cartone per lo smaltimento.
5. Se l'apparecchio non funziona più correttamente, è stato esposto a liquidi o è stato in qualche modo danneggiato, rivolgersi esclusivamente a personale autorizzato per le dovute riparazioni.
6. Tenere l'apparecchio lontano da fonti di calore come stufe, termosifoni o altro (anche amplificatori). Controllare che l'apparecchio sia sempre posizionato in modo tale che si possa raffreddare e che non si surriscaldi.
7. Controllare tutte le linee alle quali l'apparecchio è collegato per evitare danni o incidenti.
8. Utilizzare esclusivamente supporti stabili e adeguati per fissare l'apparecchio. Verificare che l'apparecchio sia installato in modo stabile e non possa cadere.

ATTENZIONE:



Non togliere mai il coperchio di protezione: pericolo di scosse elettriche. All'interno dell'apparecchio non ci sono parti che possono essere controllate o riparate dall'utente. Per la riparazione rivolgersi esclusivamente a personale qualificato.



Questo simbolo avverte del pericolo dovuto alla presenza di una tensione pericolosa non isolata all'interno dell'apparecchio che può causare scosse pericolose.



Questo simbolo indica avvertenze e istruzioni d'uso importanti.

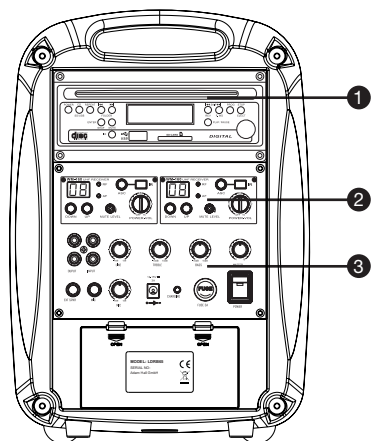
Attenzione! Volume alto!

Questi sistemi di trasmissione vengono utilizzati dall'utente per scopi professionali. Pertanto l'uso per scopi commerciali è soggetto alle norme e ai regolamenti delle associazioni di categoria competenti. Adam Hall, in qualità di produttore, è perciò obbligato a segnalare espressamente la presenza di possibili rischi per la salute.

Questi altoparlanti possono generare elevate pressioni sonore. 85db è la pressione sonora massima che per legge può essere esercitata sull'udito umano in una giornata lavorativa. Questo valore è stato stabilito in base a quanto rilevato nel campo della medicina del lavoro. Suoni di maggiore intensità o più prolungati possono provocare danni all'apparato uditivo. Nel caso di volumi più elevati sarà necessario diminuire il tempo di esposizione per evitare eventuali danni all'udito. Alcuni campanelli di allarme che indicano una prolungata esposizione a suoni troppo forti sono:

- La presenza di suoni o fischi all'interno dell'orecchio!
- La sensazione di non sentire più i suoni ad alta frequenza!

PANNELLO POSTERIORE:



1 LETTORE CD

Lettoce CD digitale slot-in con ingresso memoria USB e slot per schede di memoria SD. Lettoce CD con sistema antishock.

File supportati (lettoce CD, lettoce USB, lettoce per schede di memoria SD): CD audio, MP3, WMA.

2 MODULO RICEVITORE WIRELESS

Il Roadboy 6.5 è dotato di un modulo ricevitore wireless.

Se si desidera utilizzare contemporaneamente un secondo microfono wireless, è possibile installare un secondo modulo ricevitore wireless.

3 PANNELLO DI CONTROLLO

Controllo volume: Master, Mic in, Line in
Equalizzatore: Bass (toni bassi), Treble (toni alti)
Ingressi e uscite

Uscite amplificate per casse acustiche esterne

Spia LED: batteria scarica (rossa), batteria in carica (verde lampeggiante), batteria completamente carica (verde).

ENGLISH

DEUTSCH

FRANCAIS

ESPAÑOL

POLSKI

ITALIANO

COMPONENTI DEL SISTEMA:

ENGLISH

Roadboy



Microfono a mano



DEUTSCH

FRANCAIS

ESPAÑOL

POLSKI

ITALIANO

Alimentatore



Telecomando



ACCESSORI OPZIONALI:

Borsa di trasporto (LDSB21)



Trasmettitore belt pack (LDWS1616BP)



Ricevitore aggiuntivo (LDRM102R)



Cuffia con microfono nera (LDWS100MH1)



Cuffia con microfono color carne (LDWS100MH2)



Supporto per casse acustiche (SPS56B)



ENGLISH

DEUTSCH

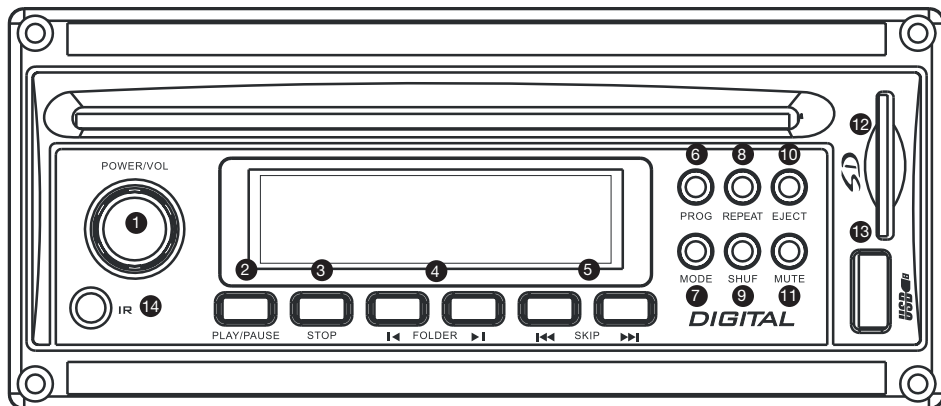
FRANCAIS

ESPAÑOL

POLSKI

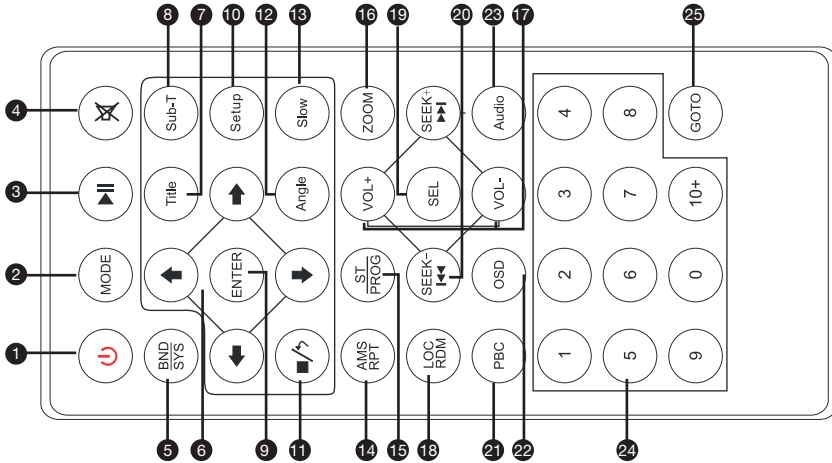
ITALIANO

LETTORE CD:



- 1 POWER/VOL**
On / Off, controllo volume
- 2 PLAY / PAUSE**
- 3 STOP**
Fermare e ritornare al menu principale
- 4 FOLDER**
Disponibile nelle modalità USB, CD MP3 e scheda di memoria SD
In modalità di arresto (Stop): usare i pulsanti FOLDER (DESTRO/SINISTRO) per spostarsi nella cartella precedente/successiva.
In modalità di riproduzione (Play): usare i pulsanti FOLDER (DESTRO/SINISTRO) per spostarsi nel primo file della cartella precedente/successiva.
- 5 PULSANTI SKIP (DESTRO/SINISTRO)**
In modalità di riproduzione o di arresto, premere SKIP (DESTRO/SINISTRO) per passare alla traccia precedente /successiva.
In modalità di riproduzione tenere premuto il pulsante SKIP per mandare avanti (SKIP DESTRO) o indietro (SKIP SINISTRO) velocemente una traccia.
- 6 PROG**
Funzione non disponibile
- 7 MODE**
Premere questo pulsante per passare alla modalità SD / USB / CD.
- 8 REPEAT**
Premere una volta per ripetere la traccia corrente.
Premere due volte per ripetere tutte le tracce.
- 9 SHUF**
Riproduzione casuale
- 10 EJECT**
Rimuovere il disco
- 11 MUTE**
Disattiva il volume del lettore SD / USB / CD.
- 12 SLOT SCHEDA SD**
- 13 USB 2.0**
Ingresso memoria USB
- 14 IR**
Modulo ricevitore per controllo remoto

TELECOMANDO:



Il Roadboy 6.5 è dotato di due moduli ricevitori ad infrarossi per il controllo remoto. Uno sul pannello anteriore e uno sul pannello posteriore dell'unità. È possibile quindi utilizzare il telecomando davanti o dietro la cassa acustica.

- 1 PULSANTE ACCENSIONE:** interruttore on/off
- 2 PULSANTE MODE:** pulsante per il cambio di modalità
- 3 ►► PULSANTE:** pulsante play / pausa
- 4 🔇 PULSANTE:** premere brevemente più volte per disattivare o riattivare l'audio
- 5 BND/SYS**
Funzione non disponibile
- 6 ◀/▶/↑/↓ PULSANTE:**
Funzione non disponibile
- 7 PULSANTE TITLE:**
Funzione non disponibile
- 8 PULSANTE SUB-T:**
Funzione non disponibile
- 9 PULSANTE ENTER:**
Funzione non disponibile
- 10 PULSANTE SETUP:**
Funzione non disponibile
- 11 ◼/↗ PULSANTE:**
pulsante Stop
- 12 PULSANTE ANGLE:**
Funzione non disponibile
- 13 PULSANTE SLOW:**
Funzione non disponibile
- 14 PULSANTE AMS / RPT:**
Premere una volta per ripetere la traccia corrente.
Premere due volte per ripetere tutte le tracce.
- 15 PULSANTE ST / PROG:**
Funzione non disponibile
- 16 ZOOM**
- 17 Audio**
- 18 SEEK-◀◀**
- 19 VOL+**
- 20 SEL**
- 21 VOL-**
- 22 OSD**
- 23 4**
- 24 8**
- 25 GOTO**
- 3 3**
- 4 4**
- 5 5**
- 6 6**
- 7 7**
- 8 8**
- 9 9**
- 10 10+**
- 11 0**
- 12 1**
- 13 2**
- 14 3**
- 15 4**
- 16 5**
- 17 6**
- 18 7**
- 19 8**
- 20 9**

TELECOMANDO CD:

ENGLISH

DEUTSCH

FRANCAIS

ESPAÑOL

POLSKI

ITALIANO

16 PULSANTE ZOOM:

Funzione non disponibile

17 PULSANTE VOL+VOL-:

aumentare o diminuire il volume.

18 PULSANTE "LOC / RDM"

Pulsante "LOC / RDM", riproduzione casuale.

19 PULSANTE SEL:

Premere questo pulsante per passare alla modalità SD / USB / CD.

20 I◀◀ / ▶▶ PULSANTE:

In modalità di riproduzione o di arresto, premere SKIP (DESTRO/SINISTRO) per passare alla traccia precedente /successiva.

in modalità di riproduzione tenere premuto il pulsante SKIP per mandare avanti (SKIP DESTRO) o indietro (SKIP SINISTRO) velocemente una traccia.

21 PULSANTE PBC:

Funzione non disponibile

22 PULSANTE OSD:

disponibile nella modalità di CD audio.

Senza premere: il display mostra il tempo di riproduzione della traccia

Premendo una volta:

il display mostra il tempo di riproduzione rimanente per la traccia corrente

Premendo due volte:

il display mostra il tempo di riproduzione del CD

Premendo tre volte:

il display mostra il tempo rimanente del CD

23 REGOLAZIONE AUDIO STEREO DESTRO / SINISTRO: Funzione non disponibile

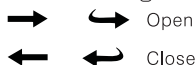
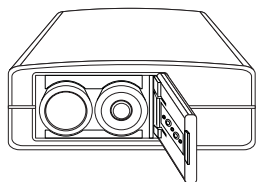
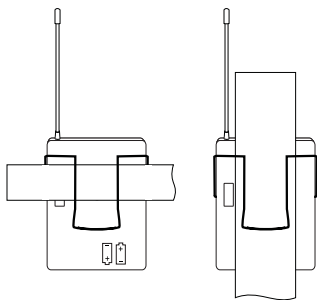
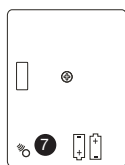
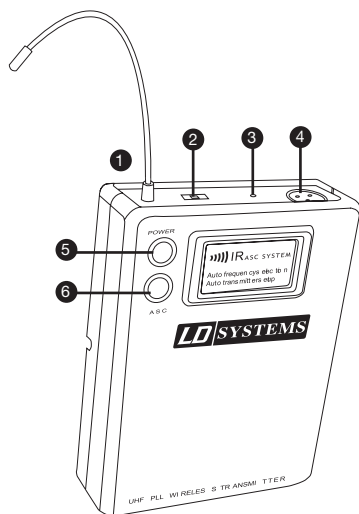
24 PULSANTE 1-10+:

Funzione non disponibile

25 PULSANTE GOTO:

Funzione non disponibile

TRASMETTITORE BELT PACK:



1 ANTENNA

2 PARAMETRI DI GAIN

Mic: microfono
0: chitarra con pick-up passivo
-10 dB: chitarra con pick-up attivi

3 LED ALIMENTAZIONE

Verde: in funzione
Rosso: batteria scarica
Rosso lampeggiante: trasmissione ad infrarossi in corso

4 INGRESSO MIC MINI XLR

5 PULSANTE ON / OFF

6 PULSANTE ASC (ATTIVA LA SINCRONIZZAZIONE)

Premere questo pulsante per attivare la connessione ad infrarossi tra il trasmettitore ed il ricevitore

7 PORTA IR

Riceve le frequenze ad infrarossi inviate dal ricevitore per sincronizzare il trasmettitore ed il ricevitore.

COME INDOSSARE IL TRASMETTITORE BELTPACK

Agganciare il ricevitore ad una cintura. Per risultati ottimali, agganciare il ricevitore alla cintura premendolo completamente verso il basso su di essa. I chitarristi possono fissare il belt pack alla tracolla della chitarra facendola passare "attraverso" la clip del ricevitore.

SOSTITUZIONE DELLE BATTERIE

La durata prevista per due batterie alcaline è di circa 8 ore. Quando la spia dello stato delle batterie lampeggia di rosso, le batterie vanno sostituite immediatamente come mostrato nella figura a sinistra. Inserire 2 batterie alcaline AA (LR6 1,5 V)

ENGLISH

DEUTSCH

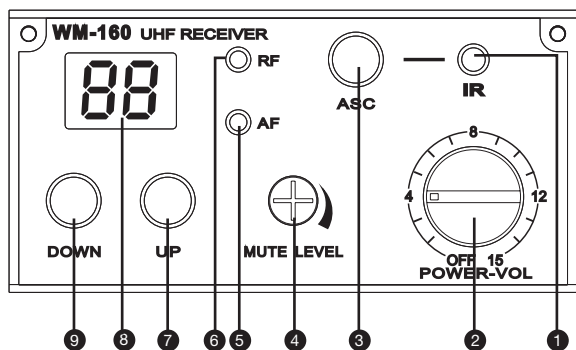
FRANCAIS

ESPAÑOL

POLSKI

ITALIANO

MODULO RICEVITORE WIRELESS:



1 FINESTRA IR

Invia segnali ad infrarossi al trasmettitore (microfono a mano) per sincronizzare le frequenze

2 POWER

Interruttore on/off e controllo del volume

3 ASC

Dopo aver selezionato la frequenza di trasmissione nel ricevitore, premere ASC per sincronizzare il trasmettitore. Tenere la porta IR del microfono di fronte alla porta IR del ricevitore. (Sincronizzazione con il belt pack: premere ASC sul belt pack e sul ricevitore per attivare la sincronizzazione.

4 MUTE LEVEL

Regolazione delle impostazioni di squelch del ricevitore:
tale funzione elimina ogni rumore di fondo quando il trasmettitore è spento o quando il ricevitore non riesce più a ricevere dal trasmettitore un segnale sufficientemente forte.

Le impostazioni di squelch del ricevitore sono regolate di fabbrica in modo tale che il sistema funzioni in modo ottimale. Normalmente non sono

necessarie altre regolazioni.

Qualora risulti necessario effettuare una nuova regolazione, il livello di squelch va impostato in modo tale che non venga rilevato alcun rumore di fondo nel ricevitore quando il trasmettitore è spento. Ciò permette di eliminare interferenze, ma in determinati casi può anche ridurre la portata del sistema. Se il livello di squelch viene ridotto, l'interferenza può incidere ad un livello sempre maggiore sulla qualità della trasmissione. Tuttavia, in determinate circostanze, ciò può aumentare la portata del sistema.

5 AF

Indica se il modulo riceve un segnale audio

6 RF

Indica se il modulo riceve un segnale radio

7 UP

Canale precedente

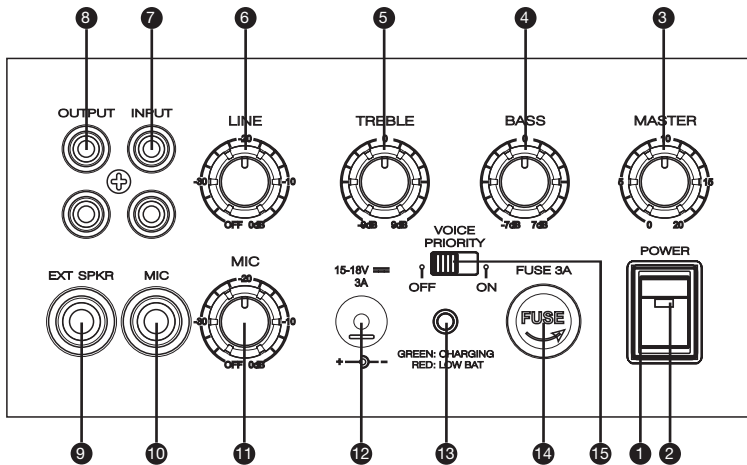
8 DISPLAY DIGITALE

Display digitale di canale

9 DOWN

Canale successivo

PANNELLO DI CONTROLLO:



1 INTERRUTTORE

Interruttore generale di alimentazione (ON/OFF dell'intero sistema)

2 SPIA LED

Se rossa, il sistema è in funzione. Acceso (ON).

3 VOLUME MASTER

Controllo volume generale del sistema

4 BASS

Equalizzatore BASS / TONI BASSI

5 TREBLE

Equalizzatore TREBLE / TONI ALTI

6 VOLUME LINEA

Controllo volume ingresso di linea (RCA)

7 RCA INGRESSO LINEA

8 RCA USCITA LINEA

9 USCITA CASSA ESTERNA

Usare questa uscita per collegare un'ulteriore cassa passiva. Quando si utilizza questa uscita, il suono fuoriesce sia dal Roadboy sia dalla cassa passiva. (min 4 Ω)

10 INGRESSO MICROFONO

11 CONTROLLO VOLUME MICROFONO

12 CONNETTORE INGRESSO ALIMENTAZIONE CC

13 SPIA BATTERIA IN CARICA / SCARICA

Spia LED: batteria scarica (rossa), batteria in carica (verde lampeggiante), batteria completamente carica (verde).

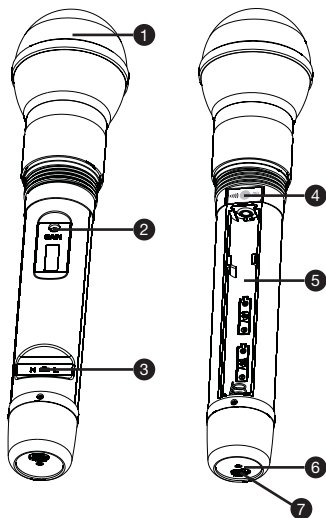
14 FUSIBILE 3A

15 INTERRUTTORE FUNZIONE "VOICE PRIORITY"

Attivando la funzione "Voice Priority" durante la riproduzione musicale, il volume della musica diminuirà automaticamente quando si parla al microfono.

Non appena si smette di parlare, il volume della musica aumenta nuovamente. È la cosiddetta funzione "talk over".

TRASMETTITORE A MANO:



1 GRIGLIA DEL MICROFONO

2 GAIN

Utilizzare questo controllo per regolare la sensibilità del microfono. A sinistra diminuisce, a destra aumenta.

Le impostazioni di fabbrica dovrebbero essere pienamente soddisfacenti.

3 INTERRUOTTORE RF

H indica un segnale ad alta potenza, L un segnale a bassa potenza.

4 PORTA IR

Riceve le frequenze ad infrarossi inviate dal ricevitore per sincronizzare il trasmettitore ed il ricevitore.

5 ALLOGGIAMENTO BATTERIE

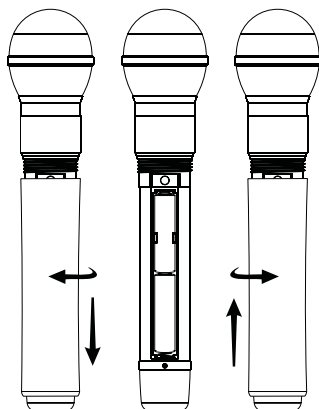
Inserire 2 batterie alcaline AA (LR 6 1,5 V)

6 POWER/ASC

Luce verde: acceso

Verde lampeggiante: trasmissione ad infrarossi in corso
Rossa lampeggiante: batteria scarica

7 INTERRUOTTORE ON/OFF



SOSTITUZIONE DELLE BATTERIE

La batteria ha un'autonomia di 8 ore. Se la spia batteria scarica si illumina, sostituire immediatamente le batterie.

IMPOSTAZIONI E FUNZIONAMENTO DEL SISTEMA:

UTILIZZO DELL'INGRESSO MICROFONO CABLATO

Collegare il connettore jack da 6,3 mm del cavo del microfono all'ingresso jack MIC. Questo ingresso si trova sul pannello posteriore del Roadboy. Assicurarsi che l'altra estremità del cavo sia correttamente collegata al microfono. Se il microfono è dotato di interruttore ON / OFF, metterlo in posizione ON. Ora usare la manopola del guadagno MIC per bilanciare gli ingressi MIC e LINE. Un livello MIC troppo elevato può provocare delle distorsioni (overdrive).

UTILIZZO DEL MODULO WIRELESS

Iniziare impostando la manopola del livello MASTER del Roadboy sullo zero. Ruotare poi la manopola POWER-VOL del modulo wireless e posizionarla a ore 12. È ora possibile sincronizzare il trasmettitore (microfono a mano o belt pack) con il ricevitore integrato tramite la funzione ASC: premere il pulsante ASC del modulo ricevitore wireless, il LED ASC inizia a lampeggiare di rosso.

Se si sta usando un trasmettitore a mano: il sensore ad infrarossi (IR) è posizionato nell'alloggiamento delle batterie sotto la capsula. Tenerlo vicino al sensore IR del modulo ricevitore wireless.

Se si sta usando un trasmettitore belt pack: è necessario attivare la funzione ASC anche sul belt pack. Tenere poi il sensore ad infrarossi (IR sul retro) del trasmettitore belt pack vicino alla finestra IR del modulo ricevitore wireless. La sincronizzazione dura alcuni secondi. Se è stato installato un secondo modulo wireless (opzionale), assicurarsi che i due moduli non stiano funzionando entrambi sulla stessa frequenza al fine di evitare interferenze (fare riferimento alla lista delle frequenze). Una spia luminosa RF lampeggiante indica che il sistema è in funzione e che la sincronizzazione ha avuto successo. È ora possibile aumentare il volume MASTER del Roadboy fino al raggiungimento della soglia desiderata.

La distanza massima tra il microfono wireless (o il trasmettitore belt pack) e il modulo ricevitore è di circa 60 m in uno spazio aperto.

UTILIZZO DELL'USCITA "EXT. SPEAKER" SPEAKER" OUTPUT

Usare un cavo delle casse con un connettore jack da 6,3 mm per collegare la cassa acustica esterna. Utilizzare una cassa acustica con un'impedenza tra 4 e 8 Ohm con una potenza di uscita minima di 25 W.

CARICARE IL ROADBOY

Collegare l'alimentatore (16 V / 3 A) allegato al Roadboy per far funzionare il sistema senza batterie o per sostituire le batterie. Il tempo di carica è di 8 ore. La procedura di caricamento si interrompe automaticamente quando la batteria è completamente carica. È anche possibile, però, tenere collegato il Roadboy alla corrente CA e farlo funzionare fino a quando si desidera.

IMPORTANTE!

Quando si collega la batteria per la prima volta o quando la si sostituisce FARE ATTENZIONE alla polarità! Rosso = + (più) // Nero = - (meno)

Quando si carica il Roadboy per la prima volta, si consiglia di lasciarlo in carica per 15 ore. Così facendo aumentano la durata di vita e la capacità della batteria. Tale procedura andrebbe ripetuta ogni 2-3 mesi. Prima di avviare la procedura di caricamento la batteria dovrebbe essere scarica.



SPECIFICHE TECNICHE:

BASIC SPECIFICATIONS

Output power: MAX 25 W RMS / 4 Ω
Frequency response: 80 Hz - 15 kHz
Maximum sound pressure: 110 dB
Speaker: 6.5 - inch full range
Power: 200 V - 250 V Switching power supply
DC 16 V / 3 A
Batteries: 12 V / 2.9 AH
THD: <0,5 %
Size (W x H x D): 300 x 200 x 230 mm
Weight: 5 kg
Receiver module: 863 - 865 MHz
Operating time: 5 hours

CD PLAYER

Product type:
Compact disc digital audio system with mechanic & electronic anti-shock CD, CD-R, CD-R/W, MP3, WMA, USB, SD, MP3, WMA available.
Disc loading: Slot-in Type
Supply voltage: DC 12 V (10 ~ 14 V)
Power consumption: Within 5 W
Dimensions (W x H x D): 160 x 147.4 x 68.5 mm
Weight: 1.2 kg

RECEIVER

Channels: 16
Carrier frequency range: 863 - 865 MHz
Audio bandwidth: 60 Hz - 16 kHz
THD: <1%
Signal/noise ratio: >100 dB
Modulation: FM
Dimensions: 212 x 160 x 44 mm
Net weight: 860 g
Power requirements: 12 - 18 V DC / 300 mA, ext. power supply

HANDHELD TRANSMITTER

Channels: 16
Carrier frequency range: 863 - 865 MHz
Capsule type: Dynamic
Polar pattern: Cardioid
RF Output power: 10 mW
Audio bandwidth: 60 Hz - 16 kHz
Signal/noise ratio: >102 dB
Modulation: FM
Dimensions: 235 x 54 mm
Net weight: 280 g
Power requirements: 2 x „AA“ -batteries
Battery Life: >10 hours

BELT PACK TRANSMITTER

Channels: 16
Carrier frequency range: 863 - 865 MHz
RF Output power: 6 mW
Max. input level: 6 mV
Audio bandwidth: 60 Hz - 16 kHz
Signal/noise ratio: >102 dB
Modulation: FM
Dimensions: 85 x 65 x 24 mm
Net weight: 80 g
Power requirements: 2 x „AA“ -batteries
Battery Life: >10 hours, depending on batteries

Since all our products are constantly controlled and improved, technical changes are possible without prior notice.

ENGLISH

DEUTSCH

FRANCAIS

ESPAÑOL

POLSKI

ITALIANO

SPECIFICHE TECNICHE:

LDWS1616 / Roadman / Roadboy

Lista frequenze per libero uso di intermodulazione di max. 3 microfoni wireless simultaneamente.

Nr.	Frequenza MHz	Simultaneo
1	863,100	X
2	863,900	
3	864,500	
4	864,900	
5	863,200	
6	863,300	
7	863,400	
8	863,500	
9	863,600	
10	863,700	X
11	863,800	
12	864,000	
13	864,100	X
14	864,200	
15	864,300	
16	864,400	

ENGLISH

DEUTSCH

FRANCAIS

ESPAÑOL

POLSKI

ITALIANO

EC Declaration of Conformity

EG Konformitäts-Erklärung

Déclaration CE de Conformité

We / Wir / Nous **Adam Hall GmbH**
Daimlerstr. 9
D- Neu-Anspach

declare in exclusive responsibility that the product
erklären in alleiniger Verantwortung, dass das Produkt
déclarons sous notre seule responsabilité que le produit

Model **LD Portable PA Systems**
Modell **LD Portable PA Systems**
modèle **LD Portable PA Systems**

Type / Typenbezeichnung / type

LD Roadmen / Roadboy

to which this declaration relates is in conformity with the following standards:
auf das sich diese Erklärung bezieht, mit den folgenden Normen übereinstimmt:
auquel se réfère cette déclaration est conforme aux normes:

EN 50371
EN 60065: 2002
EN 300422-1
EN 300422-2
EN 301489-1
EN 301489-9

following the provisions of directive
gemäß den Bestimmungen der Richtlinie
conformément aux dispositions de directive

89 / 336 / EEC (Electromagnetic compatibility)
(Elektromagnetische Verträglichkeit)

73 / 23 / EEC (Low Voltage Equipment)
(Niederspannungsrichtlinie)

1999/5/EC European R&TTE Directive 1999/5/EC of 9th March, 1999.

ADAM HALL GmbH
Rudolf-Diesel-Str. 5
D - 61267 Neu-Anspach
Tel. 06081 / 94-19-0
Fax 06081 / 43230

Neu-Anspach, 01.09.2009

Markus Jahnel

Vertriebsleiter / Sales Manager / Chef des ventes

Geprüft

Neu-Anspach, 01.08.2009

Michael Rösch

Qualitäts Prüfer / Quality Manager / Calidad Director

DICHIARAZIONI DEL PRODUTTORE:

GARANZIA DEL PRODUTTORE

Le seguenti condizioni di garanzia si applicano ai prodotti dei marchi Adam Hall, LD Systems, LD Premium, Defender, Palmer e Eminence.

La presente dichiarazione di garanzia non influisce sui diritti di garanzia del produttore previsti dalla legge, ma estende ulteriormente tali diritti anche nei confronti della ditta Adam Hall.

Adam Hall garantisce per un periodo di due o cinque anni dalla data di acquisto che questo prodotto Adam Hall acquistato direttamente dall'azienda o attraverso un rivenditore autorizzato, se utilizzato correttamente, è privo di difetti di materiale e manodopera.

Il periodo di garanzia ha inizio dalla data di acquisto del prodotto che, nel caso in cui si voglia usufruire della garanzia, va adeguatamente documentata tramite la presentazione dello scontrino o della bolla di consegna con la data di acquisto. Qualora, entro il periodo di garanzia, i prodotti di una delle marche sovraindicate necessitano di interventi di riparazione, l'utente ha diritto ad usufruire del servizio alle condizioni indicate nel presente documento.

Questa garanzia del produttore è valida esclusivamente per il primo proprietario del prodotto Adam Hall e non si può trasferire ad un eventuale proprietario successivo. Entro il periodo di garanzia, Adam Hall si fa carico della riparazione o della sostituzione dei componenti o degli apparecchi difettosi. Tutti i componenti o i prodotti sostituiti usufruendo della garanzia del produttore diventano di proprietà di Adam Hall.

Nel caso improbabile che il prodotto acquistato presenti ripetuti malfunzionamenti, la ditta Adam Hall è autorizzata a sostituire a propria discrezione il prodotto difettoso con un altro, a patto che il nuovo prodotto sia di uguale valore rispetto a quello vecchio per quanto riguarda le caratteristiche hardware.

Adam Hall non garantisce che il prodotto sia perfettamente funzionante e/o senza difetti. Inoltre, Adam Hall non risponde di danni derivanti dall'inosservanza delle indicazioni riportate nelle istruzioni d'uso fornite con il presente prodotto e in altra documentazione.

La garanzia del produttore non copre:

- parti soggette ad usura (es. accumulatori),
- apparecchi dai quali è stato rimosso il numero di serie o il cui numero di serie risulta illeggibile a causa di danneggiamenti causati dall'utente,
- danni derivanti da uso errato o improprio o altre cause esterne,
- danni ad apparecchi che non sono stati utilizzati secondo i parametri di funzionamento (parametri indicati nella documentazione contenuta nella confezione),
- danni derivanti dall'utilizzo di componenti non prodotti o distribuiti da Adam Hall,
- danni derivanti da interventi, modifiche o riparazioni non effettuate da Adam Hall.

Le presenti condizioni costituiscono l'accordo di garanzia completo ed esclusivo tra l'acquirente e la Adam Hall per il prodotto Adam Hall acquistato.

ENGLISH

DEUTSCH

FRANCAIS

ESPAÑOL

POLSKI

ITALIANO

DICHIARAZIONI DEL PRODUTTORE:

LIMITAZIONE DI RESPONSABILITÀ

Nel caso in cui, durante il periodo di garanzia, i prodotti hardware Adam Hall presentino difetti di materiale o di lavorazione (in base alla dichiarazione di garanzia precedente), il solo ed unico diritto del cliente previsto dalla presente garanzia è quello di riparazione o sostituzione dell'apparecchio. La massima responsabilità di Adam Hall è limitata, come espressamente indicato nella garanzia, al prezzo d'acquisto o ai costi per la riparazione o la sostituzione (e in questo caso per l'importo minore) dei componenti hardware difettosi in caso di uso corretto degli stessi.

Adam Hall non è responsabile per eventuali danni provocati dal prodotto o dal malfunzionamento dello stesso, compresi mancati guadagni, perdite e danni speciali indiretti o conseguenti. Inoltre Adam Hall è indenne da richieste avanzate da terzi o dal cliente in nome di terzi.

La presente limitazione di responsabilità vale indipendentemente dal fatto che i danni siano oggetto di procedimenti giudiziari o che siano oggetto di risarcimento danni ai sensi della presente garanzia o per atti illeciti (incluse negligenza e responsabilità oggettiva) o per pretese contrattuali o di altra natura, e non può essere né annullata né modificata. La presente limitazione di responsabilità è valida anche nel caso in cui l'utente abbia avvisato Adam Hall o un rappresentante autorizzato di possibili danni. Tale limitazione non è però valida in caso di richieste per risarcimento danni in relazione a danni a persone.

La garanzia del produttore permette di godere di determinati diritti. A seconda della giurisdizione competente (dello stato o della regione in cui si risiede) è possibile ottenere ulteriori diritti. Si consiglia quindi di consultare le leggi applicabili per determinare l'insieme dei diritti di cui si può godere.

RICORSO ALLA GARANZIA

Per usufruire della garanzia rivolgersi direttamente a Adam Hall o al rivenditore autorizzato Adam Hall, dal quale è stato acquistato il prodotto.

DICHIARAZIONE DI CONFORMITÀ CE

Questi prodotti sono conformi ai requisiti fondamentali e alle relative disposizioni stabilite dalle direttive europee 199/5/EU e 89/336/EU.

CORRETTO SMALTIMENTO DEL PRODOTTO ("RIFIUTI ELETTRONICI")

(Valido nei paesi dell'Unione europea e in altri paesi con sistema di smaltimento differenziato dei rifiuti)



Questo simbolo sul prodotto o sui documenti relativi ad esso sta ad indicare che l'apparecchio alla fine del suo ciclo di vita non deve essere smaltito insieme ai normali rifiuti domestici, in modo tale da evitare eventuali danni ambientali e alle persone causati da uno smaltimento incontrollato dei rifiuti. Si prega di smaltire questo prodotto separatamente da altri rifiuti e promuovere così lo sviluppo di cicli economici sostenibili con il riciclaggio.

I privati cittadini possono ricevere informazioni sulle possibilità di smaltimento sostenibile presso il venditore dal quale è stato acquistato il prodotto o presso le autorità regionali competenti. I professionisti devono invece contattare il loro fornitore di fiducia e controllare le eventuali condizioni contrattuali per lo smaltimento degli apparecchi. Questo prodotto non deve essere smaltito assieme ad altri rifiuti industriali.

DICHIARAZIONE **RAEE**

Il prodotto LD Systems acquistato è stato realizzato tramite l'utilizzo di materiali e componenti di qualità che possono essere riciclati o riutilizzati. Questo simbolo indica che gli apparecchi elettronici non vanno smaltiti assieme ai normali rifiuti domestici indifferenziati. Si prega di smaltire questo apparecchio a norma di legge presso un punto di raccolta per rifiuti elettronici contribuendo così alla salvaguardia dell'ambiente.

BATTERIE E PILE

Le batterie incluse nella confezione possono essere riutilizzate. Non gettare quindi le batterie nei normali rifiuti domestici, ma in contenitori appositi per la loro raccolta. Aiutate a mantenere pulito l'ambiente.

Adam Hall GmbH, tutti i diritti riservati. I dati tecnici e le caratteristiche del prodotto possono essere soggetti a modifiche. È vietata la copia, la traduzione e qualsiasi altra riproduzione delle presenti istruzioni d'uso o di parte di esse senza previa autorizzazione.



WWW.LD-SYSTEMS.COM

Adam Hall GmbH | Daimlerstrasse 9 | 61267 Neu-Anspach | Germany
Tel. +49(0)6081/9419-0 | Fax +49(0)6081/9419-1000
web : www.adamhall.com | e-mail : mail@adamhall.com