



PAR64 PRO 36x3W  
Par56 Pro 24x3W  
Mini Stage Par 7x3W  
Stage PAR 18 Tri-Color LED3W

LED PAR

Musikhaus Thomann  
Thomann GmbH  
Hans-Thomann-Straße 1  
96138 Burgebrach  
Germany  
Telephone: +49 (0) 9546 9223-0  
E-mail: [info@thomann.de](mailto:info@thomann.de)  
Internet: [www.thomann.de](http://www.thomann.de)

27.04.2018, ID: 222333, ... (V3)

# Table of contents

<b>1</b>	<b>General notes</b> .....	<b>5</b>
	1.1 Further information.....	6
	1.2 Notational conventions.....	7
	1.3 Symbols and signal words.....	8
<b>2</b>	<b>Safety instructions</b> .....	<b>10</b>
<b>3</b>	<b>Features</b> .....	<b>15</b>
<b>4</b>	<b>Installation</b> .....	<b>16</b>
<b>5</b>	<b>Starting up</b> .....	<b>20</b>
<b>6</b>	<b>Connections and controls</b> .....	<b>23</b>
<b>7</b>	<b>Operating</b> .....	<b>26</b>
	7.1 Introduction.....	26
	7.2 Operating modes.....	27
	7.3 Starting up the device.....	29
	7.4 Function selection.....	30
	7.5 Auto-change mode.....	31

7.6	Auto-fade mode.....	35
7.7	Manual mode.....	39
7.8	5-channel DMX slave mode.....	43
7.9	5-channel DMX master mode.....	51
7.10	3-channel DMX slave mode.....	70
7.11	3-channel DMX master mode.....	76
<b>8</b>	<b>Technical specifications.....</b>	<b>87</b>
<b>9</b>	<b>Plug and connection assignments.....</b>	<b>94</b>
<b>10</b>	<b>Troubleshooting.....</b>	<b>95</b>
<b>11</b>	<b>Cleaning.....</b>	<b>97</b>
<b>12</b>	<b>Protecting the environment.....</b>	<b>98</b>

# 1 General notes

This manual contains important instructions for the safe operation of the unit. Read and follow the safety instructions and all other instructions. Keep the manual for future reference. Make sure that it is available to all those using the device. If you sell the unit please make sure that the buyer also receives this manual.

Our products are subject to a process of continuous development. Thus, they are subject to change.

## 1.1 Further information

On our website ([www.thomann.de](http://www.thomann.de)) you will find lots of further information and details on the following points:

Download	This manual is also available as PDF file for you to download.
Keyword search	Use the search function in the electronic version to find the topics of interest for you quickly.
Online guides	Our online guides provide detailed information on technical basics and terms.
Personal consultation	For personal consultation please contact our technical hotline.
Service	If you have any problems with the device the customer service will gladly assist you.

## 1.2 Notational conventions

This manual uses the following notational conventions:

### Letterings

The letterings for connectors and controls are marked by square brackets and italics.

**Examples:** *[VOLUME]* control, *[Mono]* button.

### Displays

Texts and values displayed on the device are marked by quotation marks and italics.

**Examples:** *'24ch'*, *'OFF'*.

### Cross-references

References to other locations in this manual are identified by an arrow and the specified page number. In the electronic version of the manual, you can click the cross-reference to jump to the specified location.




Example: See ↗ *'Cross-references'* on page 7.

### 1.3 Symbols and signal words

In this section you will find an overview of the meaning of symbols and signal words that are used in this manual.

Signal word	Meaning
<b>DANGER!</b>	This combination of symbol and signal word indicates an immediate dangerous situation that will result in death or serious injury if it is not avoided.
<b>WARNING!</b>	This combination of symbol and signal word indicates a possible dangerous situation that can result in death or serious injury if it is not avoided.
<b>NOTICE!</b>	This combination of symbol and signal word indicates a possible dangerous situation that can result in material and environmental damage if it is not avoided.



Warning signs	Type of danger
	Warning – high-voltage.
	Warning – suspended load.
	Warning – danger zone.

PAR64 PRO 36x3WPar56 Pro 24x3W Mini Stage Par 7x3W  
Stage PAR 18 Tri-Color LED3W

## 2 Safety instructions

### **Intended use**

This device is intended for use as an electronic lighting effect by means of LED technology. The device is designed for professional use and is not suitable for use in households. Use the device only as described in this user manual. Any other use or use under other operating conditions is considered to be improper and may result in personal injury or property damage. No liability will be assumed for damages resulting from improper use.

This device may be used only by persons with sufficient physical, sensorial, and intellectual abilities and having corresponding knowledge and experience. Other persons may use this device only if they are supervised or instructed by a person who is responsible for their safety.

Extend the life of the device by regular breaks in operation and avoid switching it on and off frequently. This device is not suitable for continuous use.

**Safety**



**DANGER!**

**Danger for children**

Ensure that plastic bags, packaging, etc. are disposed of properly and are not within reach of babies and young children. Choking hazard!

Ensure that children do not detach any small parts (e.g. knobs or the like) from the unit. They could swallow the pieces and choke!

Never let children unattended use electrical devices.



**DANGER!**

**Electric shock caused by high voltages inside**

Within the device there are areas where high voltages may be present. Never remove any covers.

There are no user-serviceable parts inside.

Do not use the device if covers, protectors or optical components are missing or damaged.



**DANGER!**

**Electric shock caused by short-circuit**

Do not modify the mains cable or the plug. Failure to do so could result in electric shock/death or fire. If in doubt, seek advice from a registered electrician.



**WARNING!**

**Eye damage caused by high light intensity**

Never look directly into the light source.



**WARNING!**

**Risk of epileptic shock**

Strobe lighting can trigger seizures in photosensitive epilepsy. Sensitive persons should avoid looking at strobe lights.



**WARNING!**

**Risk of injury caused by falling objects**

Make sure that the installation complies with the standards and rules that apply in your country. Always secure the device with a secondary safety attachment, such as a safety cable or a safety chain.

Secure the barn door with a safety cable on the spotlight after installation. The safety cable must run outside the barn door and must not interfere with the light emission.



**NOTICE!**

**Risk of fire**

Do not block areas of ventilation. Do not install the device near any direct heat source. Keep the device away from naked flames.



### **NOTICE!**

#### **Operating conditions**

This device has been designed for indoor use only. To prevent damage, never expose the device to any liquid or moisture. Avoid direct sunlight, heavy dirt, and strong vibrations.



### **NOTICE!**

#### **Power supply**

Before connecting the device, ensure that the input voltage (AC outlet) matches the voltage rating of the device and that the AC outlet is protected by a residual current circuit breaker. Failure to do so could result in damage to the device and possibly injure the user.

Unplug the device before electrical storms occur and when it is unused for long periods of time to reduce the risk of electric shock or fire.

### 3 Features

The LED-PAR is ideal for professional lighting applications, for example, at events, on rock stages, in theatres and musicals or for TV productions. It's characterized by low power consumption and long service life.

Special features of the device:

- Tri-colour LEDs (RGB)
- Control via DMX and via DIP switches on the unit
- Preprogrammed automatic shows
- Sound control
- Master / Slave mode
- Robust metal housing

For technological reasons, the light output of LEDs decreases over their lifetime. This effect increases with higher operating temperature. You can extend the service life of the illuminants by providing adequate ventilation and operating the LEDs with the lowest possible brightness.

PAR64 PRO 36x3WPar56 Pro 24x3W Mini Stage Par 7x3W  
Stage PAR 18 Tri-Color LED3W

## 4 Installation

Unpack and carefully check that there is no transportation damage before using the unit. Keep the equipment packaging. To fully protect the device against vibration, dust and moisture during transportation or storage use the original packaging or your own packaging material suitable for transport or storage, respectively.



### **WARNING!**

#### **Risk of injury caused by falling objects**

Make sure that the installation complies with the standards and rules that apply in your country. Always secure the device with a secondary safety attachment, such as a safety cable or a safety chain.

Secure the barn door with a safety cable on the spotlight after installation. The safety cable must run outside the barn door and must not interfere with the light emission.





**NOTICE!**

**Risk of overheating**

The distance between light output and the illuminated surface must be more than 1.5 m (19.7in).

Provide sufficient ventilation.

The ambient temperature must always be below 40 °C (104 °F).



**NOTICE!**

**Use of stands**

When mounting the device onto a stand, ensure that the stand is in a safe and stable position and that the weight of the device does not exceed the maximum permissible load capacity of the stand.



### **NOTICE!**

#### **Possible data transmission errors**

For error-free operation make use of dedicated DMX cables and do not use ordinary microphone cables.

Never connect the DMX input or output to audio devices such as mixers or amplifiers.

### **Mounting options**

You can install the unit in hanging or standing position. When in use, the device must always be attached to a solid surface or an approved truss. Benutzen Sie zur Befestigung die dafür vorgesehenen Öffnungen des zweiteiligen Bügels.

Always work from a stable platform whenever installing, moving or servicing the unit. In doing so, the area underneath the unit must be cordoned off.

The safety cable must be attached to the bracket.



*Please note that this device must not be connected to a dimmer.*

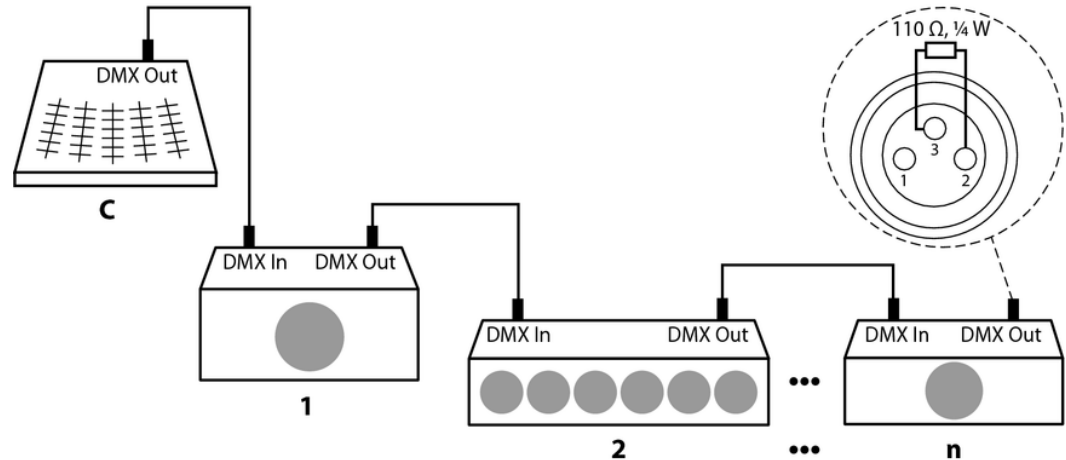
PAR64 PRO 36x3WPar56 Pro 24x3W Mini Stage Par 7x3W  
Stage PAR 18 Tri-Color LED3W

## 5 Starting up

Create all connections while the device is off. Use the shortest possible high-quality cables for all connections. Take care when running the cables to prevent tripping hazards.

**Connections in DMX mode**

Connect the DMX input of the device to the DMX output of a DMX controller or another DMX device. Connect the output of the first DMX device to the input of the second one, and so on to form a daisy chain. Always ensure that the output of the last DMX device in the daisy chain is terminated with a resistor ( $110\ \Omega$ ,  $\frac{1}{4}\ \text{W}$ ).



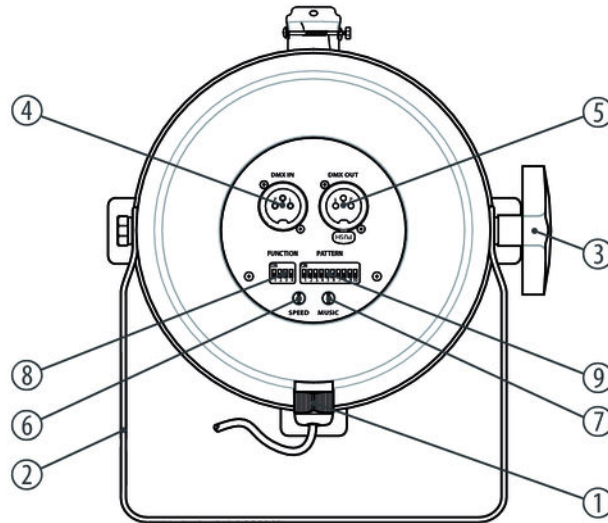
PAR64 PRO 36x3WPar56 Pro 24x3W Mini Stage Par 7x3W  
Stage PAR 18 Tri-Color LED3W

### **Connections in master/slave mode**

When you configure a group of devices in master/slave mode, the first unit will control the other units for an automatic, sound-activated, synchronized show. This function is ideal when you want to start a show immediately. Connect the DMX output of the master device to the DMX input of the first slave device. Then connect the DMX output of the first slave device to the DMX input of the second slave device and so on.

## 6 Connections and controls

### Rear panel



PAR64 PRO 36x3WPar56 Pro 24x3W Mini Stage Par 7x3W  
Stage PAR 18 Tri-Color LED3W

1	Power cord
2	Bracket for floor placement or hanging.
3	Locking screws for the mounting bracket.
4	<i>[DMX IN]</i> DMX input.
5	<i>[DMX OUT]</i> DMX output.
6	<i>[SPEED]</i> For manual speed setting.
7	<i>[MUSIC]</i> Sensitivity control for the built-in microphone.



8 *[FUNCTION]*

This 4-way DIP switch sets the operating mode of the LED PAR.

9 *[PATTERN]*

The function of this 10-way DIP switch depends on the current operating mode, e.g. in follow mode, the follow pattern can be selected here.

## 7 Operating

### 7.1 Introduction

The main characteristic of the LED PAR spotlights is the usability as 5-channel DMX controller. In this mode, the DMX in and outputs of 4 LED PAR lights must be connected via XLR cable.

The first LED PAR must be switched to DMX Master mode. Then this light sends signals to the other connected devices, the slaves. Various display patterns are available: e.g. all connected devices can show the same pattern, or each device shows a different one, or follow programmes or fade in / outs or blendings. The individual steps within the patterns can be controlled by the rhythm of the music or using a controller. The sensitivity of the sound-control is adjustable. The colour patterns offer a 100% colour mode, a 100% / 50% colour mode as well as a 100% / 75% / 50% / 25% colour mode. The colours are then selected randomly.

It also supports a 3-channel DMX slave mode for easy integration into a DMX system.

All 512 channels can be used.

The device also supports the stand-alone modes Auto change mode, Auto fade mode and Manual mode.

## 7.2 Operating modes

### 7.2.1 DMX modes

#### 5-channel DMX master mode

In this mode, the LED PAR is used as a 5-channel DMX master. The 5-channel DMX master mode ensures compatibility to the first version of the LED PARs. The 5-channel DMX master mode utilises built-in features of the LED PARs, which are controlled via the DMX signal.

3 different patterns are available: e.g. all connected LED PARs can show the same pattern, or each device shows a different one, or follow programmes or fade in / outs or blendings. The individual steps within the patterns can be controlled by the rhythm of the music or using a controller. The sensitivity of the sound-control is adjustable. The colour patterns offer a 100% colour mode, a 100% / 50% colour mode as well as a 100% / 75% / 50% / 25% colour mode. The colours are then selected randomly.

#### 3-channel DMX master mode

In this mode, the LED PAR is used as a 3-channel DMX master. The 3-channel DMX master mode occupies less DMX channels, e.g. when connecting DMX power packs or other equipment that receives DMX signals.

3 different patterns are available: e.g. all connected LED PARs can show the same pattern, or each device shows a different one, or follow programmes or fade in / outs or blendings. The individual steps within the patterns can be controlled by the rhythm of the music or using a controller. The sensitivity of the sound-control is adjustable. The colour patterns offer a 100% colour mode, a 100% / 50% colour mode as well as a 100% / 75% / 50% / 25% colour mode. The colours are then selected randomly.

### **5-channel DMX slave mode**

In this mode, the LED PAR is used as DMX slave. The 5-channel DMX slave mode utilises built-in features of the LED PARs, which are controlled via the DMX signal. An external DMX controller controls the LED PAR.

### **3-channel DMX slave mode**

The 3-channel slave mode is for use with a standard DMX controller. The LED PAR can be controlled via all 512 channels. Each colour is controlled via one DMX channel.

## **7.2.2 Stand-alone modes**

### **Auto-fade mode**

The Auto-fade mode is available with 3 different patterns for fade in / outs or blendings. The times for fade in / outs or blendings can be determined exactly by 9 time settings.

The Auto-fade mode supports several colour change patterns: The colour patterns offer a 100% colour mode, a 100% / 50% colour mode as well as a 100% / 75% / 50% / 25% colour mode. The colours are then selected randomly.

### **Auto-change mode**

The Auto-change mode supports various colour change patterns. The colour patterns offer a 100% colour mode, a 100% / 50% colour mode as well as a 100% / 75% / 50% / 25% colour mode. The colours are then selected randomly.

The change speed can be set by the rhythm of the music or with a controller.

### **Manual mode**

In manual mode, each colour can be turned on in steps of about 14%.

## **7.3 Starting up the device**

To start up the device, connect it to the mains. After a few seconds the unit is ready for use.

## 7.4 Function selection

You can set the operating mode of the LED PARs according to the following table using the 4-way DIP switches *[FUNCTION]* on the rear panel:

SW4	SW3	SW2	SW1	Mode
X	0	0	0	Auto-change mode
X	0	0	1	Auto-fade mode
X	0	1	0	Manual mode
X	0	1	1	5-channel DMX slave mode
X	1	0	0	5-channel DMX master mode
X	1	0	1	3-channel DMX slave mode
X	1	1	0	3-channel DMX master mode
X	1	1	1	No new mode (3-channel DMX master mode is used)

SW4	SW3	SW2	SW1	Mode
0	X	X	X	Speed controlled by controller, if supported by the selected operating mode
1	X	X	X	Speed controlled by music, if supported by the selected operating mode

0 = DIP switch is in OFF position. 1 = DIP switch is in ON position. X = see more / above information.

## 7.5 Auto-change mode

The LED PAR shows different colours depending on the speed selection. In this mode, the LED PAR is used as a stand-alone device, the DMX in and outputs remain unused.

## Mode selection

To enable the auto-change mode, set the 4-way DIP switch on the rear side of the LED PAR according to the following table:

SW4	SW3	SW2	SW1	Mode
X	0	0	0	Auto-change mode

0 = DIP switch is in OFF position. 1 = DIP switch is in ON position. X = see more / above information.



**Setting the speed**

Using SW4 you can set how the speed is controlled. Please orient yourself by the following table:

SW4	SW3	SW2	SW1	Mode
0	0	0	0	Speed controlled by controller, if supported by the selected operating mode
1	0	0	0	Speed controlled by music, if supported by the selected operating mode

0 = DIP switch is in OFF position. 1 = DIP switch is in ON position.

## Setting the colour pattern

You can set the colour patterns according to the following table using the 10-way DIP switch on the rear panel of the LED PAR:

SW10	SW9	SW8	SW7	SW6	SW5	SW4	SW3	SW2	SW1	Selecting the colour pattern
0	0	0	0	0	0	0	0	0	0	Compatibility mode - old pattern style
0	0	0	0	0	0	0	0	0	1	100% colour change
0	0	0	0	0	0	0	0	1	0	100%, 50% colour change
0	0	0	0	0	0	0	0	1	1	100%, 75%, 50%, 25% colour change

0 = DIP switch is in OFF position. 1 = DIP switch is in ON position.

If a different colour pattern is set, always pattern '0000000011' is used.

## 7.6 Auto-fade mode

The LED PAR shows colour fadings depending on the speed selection. In this mode, the LED PAR is used as a stand-alone device, the DMX in and outputs remain unused.

### Mode selection

To enable the auto-fade mode, set the 4-way DIP switch on the rear side of the LED PAR according to the following table:

SW4	SW3	SW2	SW1	Mode
X	0	0	1	Auto-fade mode

0 = DIP switch is in OFF position. 1 = DIP switch is in ON position. X = in this mode, speed control by controller or music is not supported.

## Setting the fade speed

You can adjust the speed of the fading using the 10-way DIP switch on the back of the LED PAR according the following table:

SW10	SW9	SW8	SW7	SW6	SW5	SW4	SW3	SW2	SW1	Selection of fading speed
0	0	0	X	X	X	0	0	0	0	630 s (10:30 min)
0	0	0	X	X	X	0	0	0	1	2.5 s
0	0	0	X	X	X	0	0	1	0	5 s
0	0	0	X	X	X	0	0	1	1	10 s
0	0	0	X	X	X	0	1	0	0	20 s
0	0	0	X	X	X	0	1	0	1	40 s
0	0	0	X	X	X	0	1	1	0	80 s
0	0	0	X	X	X	0	1	1	1	160 s
0	0	0	X	X	X	1	0	0	0	320 s

0 = DIP switch is in OFF position. 1 = DIP switch is in ON position. X = see below for more information.

If a different timing pattern is set, always pattern '000xxx1000' is used.

In this mode, speed control by controller or music is not supported.

## Setting the colour pattern

You can set the colour patterns according to the following table using the 10-way DIP switch on the rear panel of the LED PAR:

SW 10	SW 9	SW 8	SW 7	SW 6	SW 5	SW 4	SW 3	SW 2	SW 1	Selecting the colour pattern
0	0	0	0	0	0	X	X	X	X	Compatibility mode – old pattern style
0	0	0	0	0	1	X	X	X	X	100% colour change, fade in and out
0	0	0	0	1	0	X	X	X	X	100%, 50% colour change, fade in and out
0	0	0	0	1	1	X	X	X	X	100%, 75%, 50%, 25% colour change, fade in and out
0	0	0	1	0	0	X	X	X	X	100% colour change, fade in
0	0	0	1	0	1	X	X	X	X	100%, 50% colour change, fade in
0	0	0	1	1	0	X	X	X	X	100%, 75%, 50%, 25% colour change, fade in

0 = DIP switch is in OFF position. 1 = DIP switch is in ON position. X = see above information.

If a different colour pattern is set, always pattern '000110xxxx' is used.

## 7.7 Manual mode

The LED PAR shows different fixed colours. In this mode, the LED PAR is used as a stand-alone device, the DMX in and outputs remain unused.

### Mode selection

To enable the manual mode, set the 4-way DIP switch on the rear side of the LED PAR according to the following table:

SW4	SW3	SW2	SW1	Mode
X	0	1	0	Manual mode

0 = DIP switch is in OFF position. 1 = DIP switch is in ON position. X = in this mode, speed control by controller or music is not supported.

## Setting the colour pattern

### Red

The red colour can be set using the 10-way DIP switch on the back of the LED PAR according to the following table:

SW10	SW9	SW8	SW7	SW6	SW5	SW4	SW3	SW2	SW1	Brightness red
0	X	X	X	X	X	X	0	0	0	0%
0	X	X	X	X	X	X	0	0	1	14%
0	X	X	X	X	X	X	0	1	0	28%
0	X	X	X	X	X	X	0	1	1	42%
0	X	X	X	X	X	X	1	0	0	57%
0	X	X	X	X	X	X	1	0	1	71%
0	X	X	X	X	X	X	1	1	0	85%
0	X	X	X	X	X	X	1	1	1	100%

0 = DIP switch is in OFF position. 1 = DIP switch is in ON position. X = see below for more information.



**Green**

The green colour can be set using the 10-way DIP switch on the back of the LED PAR according to the following table:

SW10	SW9	SW8	SW7	SW6	SW5	SW4	SW3	SW2	SW1	Brightness green
0	X	X	X	0	0	0	X	X	X	0%
0	X	X	X	0	0	1	X	X	X	14%
0	X	X	X	0	1	0	X	X	X	28%
0	X	X	X	0	1	1	X	X	X	42%
0	X	X	X	1	0	0	X	X	X	57%
0	X	X	X	1	0	1	X	X	X	71%
0	X	X	X	1	1	0	X	X	X	85%
0	X	X	X	1	1	1	X	X	X	100%

0 = DIP switch is in OFF position. 1 = DIP switch is in ON position. X = see more information above and below.

PAR64 PRO 36x3WPar56 Pro 24x3W Mini Stage Par 7x3W  
Stage PAR 18 Tri-Color LED3W

**th.mann**  
MUSIC IS OUR PASSION

## Blue

The blue colour can be set using the 10-way DIP switch on the back of the LED PAR according to the following table:

SW10	SW9	SW8	SW7	SW6	SW5	SW4	SW3	SW2	SW1	Brightness blue
0	0	0	0	X	X	X	X	X	X	0%
0	0	0	1	X	X	X	X	X	X	14%
0	0	1	0	X	X	X	X	X	X	28%
0	0	1	1	X	X	X	X	X	X	42%
0	1	0	0	X	X	X	X	X	X	57%
0	1	0	1	X	X	X	X	X	X	71%
0	1	1	0	X	X	X	X	X	X	85%
0	1	1	1	X	X	X	X	X	X	100%

0 = DIP switch is in OFF position. 1 = DIP switch is in ON position. X = see above information.

## 7.8 5-channel DMX slave mode

### Mode selection

To enable the 5-channel DMX slave mode, set the 4-way DIP switch on the rear side of the LED PAR according to the following table:

SW4	SW3	SW2	SW1	Mode
X	0	1	1	5-channel DMX slave mode

0 = DIP switch is in OFF position. 1 = DIP switch is in ON position. X = see below for more information.

## Setting the speed

Using SW4 you can set how the speed is controlled. Please orient yourself by the following table:

SW4	SW3	SW2	SW1	Mode
0	0	1	1	Speed controlled by controller, if supported by the selected operating mode
1	0	1	1	Speed controlled by music, if supported by the selected operating mode

0 = DIP switch is in OFF position. 1 = DIP switch is in ON position.

**DMX assignment**

This table shows the DMX values that can be sent from an external DMX controller to the LED PAR:

<b>Channel 1 value</b>	<b>Function</b>
0...63	RGB control, CH2 = red, CH3 = green, CH4 = blue
64...127	7-fold colour fade, CH5 = speed control
128...191	7-fold colour change, CH5 = speed control
192...255	3-fold colour change, CH5 = speed control
<b>Channel 2 value</b>	<b>Function</b>
0...255	Red colour: 0%...100%
<b>Channel 3 value</b>	<b>Function</b>
0...255	Green colour: 0%...100%

Channel 4 value	
Channel 4 value	Function
0...255	Blue colour: 0%...100%
Channel 5 value	
Channel 5 value	Function
0...10	no function – no speed
11...100	Speed high to low
101...150	no function – no speed
151...255	Speed control via device, music or controller

**Setting DMX receive channel**

The value of the DIP switches 1-9 is binary coded. To set up a desired DMX receive channel, set the DIP switches so that the sum of the resulting channel numbers results in the desired number. Please orient yourself by the following table:

SW10	SW9	SW8	SW7	SW6	SW5	SW4	SW3	SW2	SW1	First DMX receive channel
0	0	0	0	0	0	0	0	0	1	1
0	0	0	0	0	0	0	0	1	0	2
0	0	0	0	0	0	0	1	0	0	4
0	0	0	0	0	0	1	0	0	0	8
0	0	0	0	0	1	0	0	0	0	16
0	0	0	0	1	0	0	0	0	0	32
0	0	0	1	0	0	0	0	0	0	64
0	0	1	0	0	0	0	0	0	0	128
0	1	0	0	0	0	0	0	0	0	256

PAR64 PRO 36x3WPar56 Pro 24x3W Mini Stage Par 7x3W  
Stage PAR 18 Tri-Color LED3W

0 = DIP switch is in OFF position. 1 = DIP switch is in ON position.

If only DIP switch 1 is set to 'ON', the first DMX receive channel is '1'. The highest possible first receiving channel is '508'. If you have configured a higher number than 508, channel 508 remains enabled.



**Examples**

**The unit starts receiving on DMX channel 1**

SW10	SW9	SW8	SW7	SW6	SW5	SW4	SW3	SW2	SW1	First DMX receive channel
0	0	0	0	0	0	0	0	0	1	1

The unit starts receiving on DMX channel 1. This occupies channels 1, 2, 3, 4, and 5.

**Example B, the unit starts receiving on DMX channel 22**

SW10	SW9	SW8	SW7	SW6	SW5	SW4	SW3	SW2	SW1	First DMX receive channel
0	0	0	0	0	1	0	1	1	0	22

The unit starts receiving on DMX channel 22. This occupies channels 22, 23, 24, 25, and 26.

**Example C, the unit starts receiving on DMX channel 272**

SW10	SW9	SW8	SW7	SW6	SW5	SW4	SW3	SW2	SW1	First DMX receive channel
0	1	0	0	0	1	0	0	0	0	272

The unit starts receiving on DMX channel 272. This occupies channels 272, 273, 274, 275, and 276.

**Example D, the unit starts receiving on DMX channel 508**

SW10	SW9	SW8	SW7	SW6	SW5	SW4	SW3	SW2	SW1	First DMX receive channel
0	1	1	1	1	1	1	1	0	0	508

The unit starts receiving on DMX channel 508. This occupies channels 508, 509, 510, 511, and 512.

## 7.9 5-channel DMX master mode

In this mode, the device operates as a DMX controller in 5-channel mode. The 5-channel mode is used to control both the current and the older revision of the LED PARs. The connected slave devices must be set as 5-channel slaves ( ↪ *Chapter 7.8 '5-channel DMX slave mode' on page 43*).

### Mode selection

To enable the 5-channel DMX master mode, set the 4-way DIP switch on the rear side of the LED PAR according to the following table:

SW4	SW3	SW2	SW1	Mode
X	1	0	0	5-channel DMX master mode

0 = DIP switch is in OFF position. 1 = DIP switch is in ON position. X = see below for more information.

## Setting the speed

Using SW4 you can set how the speed is controlled. Please orient yourself by the following table:

SW4	SW3	SW2	SW1	Mode
0	1	0	0	Speed controlled by controller, if supported by the selected operating mode
1	1	0	0	Speed controlled by music, if supported by the selected operating mode

0 = DIP switch is in OFF position. 1 = DIP switch is in ON position.

**DMX use with 5-channel control**

In master mode, the LED PAR sends DMX data according to the following table. The connected slave devices must be set as 5-channel DMX-slaves ( ↪ *Chapter 7.8 '5-channel DMX slave mode' on page 43*).

Spot light	Channel	
1	1	DMX CH = 0, RGB control
	2	DMX CH = RED
	3	DMX CH = GREEN
	4	DMX CH = BLUE
	5	DMX CH = 0, no function, no speed
2	6	DMX CH = 0, RGB control
	7	DMX CH = RED
	8	DMX CH = GREEN
	9	DMX CH = BLUE

PAR64 PRO 36x3WPar56 Pro 24x3W Mini Stage Par 7x3W  
Stage PAR 18 Tri-Color LED3W

Spot light	Channel	
	10	DMX CH = 0, no function, no speed
3	11	DMX CH = 0, RGB control
	12	DMX CH = RED
	13	DMX CH = GREEN
	14	DMX CH = BLUE
	15	DMX CH = 0, no function, no speed
4	16	DMX CH = 0, RGB control
	17	DMX CH = RED
	18	DMX CH = GREEN
	19	DMX CH = BLUE
	20	DMX CH = 0, no function, no speed

### Setting the colour pattern

You can set the colour patterns according to the following table using the 10-way DIP switch on the rear panel of the LED PAR:

#### Colour pattern

All LED PARs are turned on and change colour.

SW 10	SW 9	SW 8	SW 7	SW 6	SW 5	SW 4	SW 3	SW 2	SW 1	Colour pattern
0	0	0	0	0	0	0	0	0	0	4 spot lights, pattern 1, all on, all carry out the same
0	0	0	0	0	0	0	0	0	1	4 spot lights, pattern 2, all on, all carry out the same
0	0	0	0	0	0	0	0	1	0	4 spot lights, pattern 3, all on, all carry out the same
0	0	0	0	0	0	0	0	1	1	4 spot lights, pattern 1, all on, each device has its own pattern
0	0	0	0	0	0	0	1	0	0	4 spot lights, pattern 2, all on, each device has its own pattern
0	0	0	0	0	0	0	1	0	1	4 spot lights, pattern 3, all on, each device has its own pattern

0 = DIP switch is in OFF position. 1 = DIP switch is in ON position.

PAR64 PRO 36x3W Par56 Pro 24x3W Mini Stage Par 7x3W  
Stage PAR 18 Tri-Color LED3W

**Fading In / Out colour pattern**

The colour is faded in and out.

SW 10	SW 9	SW 8	SW 7	SW 6	SW 5	SW 4	SW 3	SW 2	SW 1	Colour pattern
0	0	0	0	0	0	0	1	1	0	4 spot lights, pattern 1, all on, all carry out the same, incl. fade in / out
0	0	0	0	0	0	0	1	1	1	4 spot lights, pattern 2, all on, all carry out the same, incl. fade in / out
0	0	0	0	0	0	1	0	0	0	4 spot lights, pattern 3, all on, all carry out the same, incl. fade in / out
0	0	0	0	0	0	1	0	0	1	4 spot lights, pattern 1, all on, each device has its own pattern, incl. fade in / out



SW 10	SW 9	SW 8	SW 7	SW 6	SW 5	SW 4	SW 3	SW 2	SW 1	Colour pattern
0	0	0	0	0	0	1	0	1	0	4 spot lights, pattern 2, all on, each device has its own pattern, incl. fade in / out
0	0	0	0	0	0	1	0	1	1	4 spot lights, pattern 3, all on, each device has its own pattern, incl. fade in / out

0 = DIP switch is in OFF position. 1 = DIP switch is in ON position.

**Colour pattern 'Fading Over' (colour cross-fade)**

Colour is cross-faded.

SW 10	SW 9	SW 8	SW 7	SW 6	SW 5	SW 4	SW 3	SW 2	SW 1	Colour pattern
0	0	0	0	0	0	1	1	0	0	4 spot lights, pattern 1, all on, all carry out the same
0	0	0	0	0	0	1	1	0	1	4 spot lights, pattern 2, all on, all carry out the same
0	0	0	0	0	0	1	1	1	0	4 spot lights, pattern 3, all on, all carry out the same

PAR64 PRO 36x3WPar56 Pro 24x3W Mini Stage Par 7x3W  
Stage PAR 18 Tri-Color LED3W

SW 10	SW 9	SW 8	SW 7	SW 6	SW 5	SW 4	SW 3	SW 2	SW 1	Colour pattern
0	0	0	0	0	0	1	1	1	1	4 spot lights, pattern 1, all on, each device has its own pattern, incl. fading over
0	0	0	0	0	1	0	0	0	0	4 spot lights, pattern 2, all on, each device has its own pattern, incl. fading over
0	0	0	0	0	1	0	0	0	1	4 spot lights, pattern 3, all on, each device has its own pattern, incl. fading over

0 = DIP switch is in OFF position. 1 = DIP switch is in ON position.

**Follow colour pattern (one of 4 LED PARs is on)**

SW 10	SW 9	SW 8	SW 7	SW 6	SW 5	SW 4	SW 3	SW 2	SW 1	Colour pattern
0	0	0	0	0	1	0	0	1	0	Follow pattern 1, right to left, same colour for each step
0	0	0	0	0	1	0	0	1	1	Follow pattern 1, right to left – left to right, same colour for each step
0	0	0	0	0	1	0	1	0	0	Follow pattern 2, right to left, same colour for each step
0	0	0	0	0	1	0	1	0	1	Follow pattern 2, right to left – left to right, same colour for each step
0	0	0	0	0	1	0	1	1	0	Follow pattern 3, right to left, same colour for each step
0	0	0	0	0	1	0	1	1	1	Follow pattern 3, right to left – left to right, same colour for each step
0	0	0	0	0	1	1	0	0	0	Follow pattern 1, right to left, new colour for each step

PAR64 PRO 36x3WPar56 Pro 24x3W Mini Stage Par 7x3W  
Stage PAR 18 Tri-Color LED3W

SW 10	SW 9	SW 8	SW 7	SW 6	SW 5	SW 4	SW 3	SW 2	SW 1	Colour pattern
0	0	0	0	0	1	1	0	0	1	Follow pattern 1, right to left – left to right, new colour for each step
0	0	0	0	0	1	1	0	1	0	Follow pattern 2, right to left, new colour for each step
0	0	0	0	0	1	1	0	1	1	Follow pattern 2, right to left – left to right, new colour for each step
0	0	0	0	0	1	1	1	0	0	Follow pattern 3, right to left, new colour for each step
0	0	0	0	0	1	1	1	0	1	Follow pattern 3, right to left – left to right, new colour for each step

0 = DIP switch is in OFF position. 1 = DIP switch is in ON position.

**Follow colour pattern (two of four LED PARs is on)**

SW 10	SW 9	SW 8	SW 7	SW 6	SW 5	SW 4	SW 3	SW 2	SW 1	Colour pattern
0	0	0	0	0	1	1	1	1	0	Follow pattern 1, right to left, new colour for each step
0	0	0	0	0	1	1	1	1	1	Follow pattern 1, right to left – left to right, new colour for each step
0	0	0	0	1	0	0	0	0	0	Follow pattern 2, right to left, new colour for each step
0	0	0	0	1	0	0	0	0	1	Follow pattern 2, right to left – left to right, new colour for each step
0	0	0	0	1	0	0	0	1	0	Follow pattern 3, right to left, new colour for each step
0	0	0	0	1	0	0	0	1	1	Follow pattern 3, right to left – left to right, new colour for each step
0	0	0	0	1	0	0	1	0	0	Follow pattern 1, right to left, each device has its own pattern, new colour for each step

PAR64 PRO 36x3WPar56 Pro 24x3W Mini Stage Par 7x3W  
Stage PAR 18 Tri-Color LED3W

SW 10	SW 9	SW 8	SW 7	SW 6	SW 5	SW 4	SW 3	SW 2	SW 1	Colour pattern
0	0	0	0	1	0	0	1	0	1	Follow pattern 1, right to left - left to right, each device has its own pattern, new colour for each step
0	0	0	0	1	0	0	1	1	0	Follow pattern 2, right to left, each device has its own pattern, new colour for each step
0	0	0	0	1	0	0	1	1	1	Follow pattern 2, right to left - left to right, each device has its own pattern, new colour for each step
0	0	0	0	1	0	1	0	0	0	Follow pattern 3, right to left, each device has its own pattern, new colour for each step
0	0	0	0	1	0	1	0	0	1	Follow pattern 3, right to left - left to right, each device has its own pattern, new colour for each step

0 = DIP switch is in OFF position. 1 = DIP switch is in ON position.

**Examples**

**Example A**

This example shows how to set up 4 LED PARs that are controlled in 5-channel DMX-Master mode.

Connection: MASTER: device 1, SLAVE1: device 2, SLAVE2: device 3, SLAVE3: device 4.

**MASTER setup, device 1, must be configured as follows:**

SW 10	SW 9	SW 8	SW 7	SW 6	SW 5	SW 4	SW 3	SW 2	SW 1	Colour pattern
0	0	0	0	0	1	0	0	1	0	Follow pattern 1, right to left, same colour for each step

SW4	SW3	SW2	SW1	Mode
0	1	0	0	5-channel DMX master mode, speed control via controller

This occupies channels 1, 2, 3, 4, and 5.

**SLAVE 1 setup, device 2, DMX start channel 6:**

PAR64 PRO 36x3WPar56 Pro 24x3W Mini Stage Par 7x3W  
Stage PAR 18 Tri-Color LED3W

10-way DIP switch PATTERN										4-way-DIP switch FUNCTION			
SW10	SW9	SW8	SW7	SW6	SW5	SW4	SW3	SW2	SW1	SW4	SW3	SW2	SW1
0	0	0	0	0	0	0	1	1	0	0	0	1	1

The unit starts receiving on DMX channel 6. This occupies channels 6, 7, 8, 9, and 10.

**SLAVE 2 setup, device 3, DMX start channel 11:**

10-way DIP switch PATTERN										4-way-DIP switch FUNCTION			
SW10	SW9	SW8	SW7	SW6	SW5	SW4	SW3	SW2	SW1	SW4	SW3	SW2	SW1
0	0	0	0	0	0	1	0	1	0	0	0	1	1

The unit starts receiving on DMX channel 11. This occupies channels 11, 12, 13, 14, and 15.

**SLAVE 3 setup, device 4, DMX start channel 16:**



10-way DIP switch PATTERN										4-way-DIP switch FUNCTION			
SW10	SW9	SW8	SW7	SW6	SW5	SW4	SW3	SW2	SW1	SW4	SW3	SW2	SW1
0	0	0	0	0	1	0	0	0	0	0	0	1	1

The unit starts receiving on DMX channel 16. This occupies channels 16, 17, 18, 19, and 20.

**Example B**

This example shows how to set up 8 LED PARs that are controlled in 5-channel DMX-Master mode. The patterns are being sent yet for 4 channels.

Connection: MASTER: device 1, SLAVE1: device 2, SLAVE2: device 3, SLAVE3: device 4, SLAVE4: device 5, SLAVE5: device 6, SLAVE6: device 7, SLAVE7: device 8.

**MASTER setup, device 1, must be configured as follows:**

SW 10	SW 9	SW 8	SW 7	SW 6	SW 5	SW 4	SW 3	SW 2	SW 1	Colour pattern
0	0	0	0	0	1	0	0	1	0	Follow pattern 1, right to left, same colour for each step

SW4	SW3	SW2	SW1	Mode
0	1	0	0	5-channel DMX master mode, speed control via controller

This occupies channels 1, 2, 3, 4, and 5.

**SLAVE 1 setup, device 2, DMX start channel 6:**

10-way DIP switch PATTERN										4-way-DIP switch FUNCTION			
SW10	SW9	SW8	SW7	SW6	SW5	SW4	SW3	SW2	SW1	SW4	SW3	SW2	SW1
0	0	0	0	0	0	0	1	1	0	0	0	1	1

The unit starts receiving on DMX channel 6. This occupies channels 6, 7, 8, 9, and 10.

**SLAVE 2 setup, device 3, DMX start channel 11:**

10-way DIP switch PATTERN										4-way-DIP switch FUNCTION			
SW10	SW9	SW8	SW7	SW6	SW5	SW4	SW3	SW2	SW1	SW4	SW3	SW2	SW1
0	0	0	0	0	0	1	0	1	1	0	0	1	1

The unit starts receiving on DMX channel 11. This occupies channels 11, 12, 13, 14, and 15.

**SLAVE 3 setup, device 4, DMX start channel 16:**

10-way DIP switch PATTERN										4-way-DIP switch FUNCTION			
SW10	SW9	SW8	SW7	SW6	SW5	SW4	SW3	SW2	SW1	SW4	SW3	SW2	SW1
0	0	0	0	0	1	0	0	0	0	0	0	1	1

The unit starts receiving on DMX channel 16. This occupies channels 16, 17, 18, 19, and 20.

**SLAVE 4 setup, device 5, DMX start channel 1:**

PAR64 PRO 36x3WPar56 Pro 24x3W Mini Stage Par 7x3W  
Stage PAR 18 Tri-Color LED3W

10-way DIP switch PATTERN										4-way-DIP switch FUNCTION			
SW10	SW9	SW8	SW7	SW6	SW5	SW4	SW3	SW2	SW1	SW4	SW3	SW2	SW1
0	0	0	0	0	0	0	0	0	1	0	0	1	1

The unit starts receiving on DMX channel 1. This occupies channels 1, 2, 3, 4, and 5.

**SLAVE 5 setup, device 6, DMX start channel 6:**

10-way DIP switch PATTERN										4-way-DIP switch FUNCTION			
SW10	SW9	SW8	SW7	SW6	SW5	SW4	SW3	SW2	SW1	SW4	SW3	SW2	SW1
0	0	0	0	0	0	0	1	1	0	0	0	1	1

The unit starts receiving on DMX channel 6. This occupies channels 6, 7, 8, 9, and 10.

**SLAVE 6 setup, device 7, DMX start channel 11:**

10-way DIP switch PATTERN										4-way-DIP switch FUNCTION			
SW10	SW9	SW8	SW7	SW6	SW5	SW4	SW3	SW2	SW1	SW4	SW3	SW2	SW1
0	0	0	0	0	0	1	0	1	1	0	0	1	1

The unit starts receiving on DMX channel 11. This occupies channels 11, 12, 13, 14, and 15.

**SLAVE 7 setup, device 8, DMX start channel 16:**

10-way DIP switch PATTERN										4-way-DIP switch FUNCTION			
SW10	SW9	SW8	SW7	SW6	SW5	SW4	SW3	SW2	SW1	SW4	SW3	SW2	SW1
0	0	0	0	0	1	0	0	0	0	0	0	1	1

The unit starts receiving on DMX channel 16. This occupies channels 16, 17, 18, 19, and 20.

PAR64 PRO 36x3WPar56 Pro 24x3W Mini Stage Par 7x3W  
Stage PAR 18 Tri-Color LED3W

## 7.10 3-channel DMX slave mode

The 3-channel DMX slave mode is suitable for use with a standard DMX controller. The LED PAR can be controlled via all 512 channels. Each colour is controlled via one DMX channel. All 512 channels can be used. The DIP switches 1 to 9 switch the first channel to reception.

### Mode selection

To enable the 3-channel DMX slave mode, set the 4-way DIP switch on the rear side of the LED PAR according to the following table:

SW4	SW3	SW2	SW1	Mode
X	1	0	1	3-channel DMX slave mode

0 = DIP switch is in OFF position. 1 = DIP switch is in ON position. X = in this mode, speed control by controller or music is not supported.

**DMX usage**

1.	DMX CH = RED
2.	DMX CH = GREEN
3.	DMX CH = BLUE

## Setting DMX receive channel

The value of the DIP switches 1-9 is binary coded. To set up a desired DMX receive channel, set the DIP switches so that the sum of the resulting channel numbers results in the desired number. Please orient yourself by the following table:

SW10	SW9	SW8	SW7	SW6	SW5	SW4	SW3	SW2	SW1	First DMX receive channel
0	0	0	0	0	0	0	0	0	1	1
0	0	0	0	0	0	0	0	1	0	2
0	0	0	0	0	0	0	1	0	0	4
0	0	0	0	0	0	1	0	0	0	8
0	0	0	0	0	1	0	0	0	0	16
0	0	0	0	1	0	0	0	0	0	32
0	0	0	1	0	0	0	0	0	0	64
0	0	1	0	0	0	0	0	0	0	128
0	1	0	0	0	0	0	0	0	0	256



0 = DIP switch is in OFF position. 1 = DIP switch is in ON position.

If only DIP switch 1 is set to 'ON', the first DMX receive channel is '1'. The highest possible first receiving channel is '510'. If you have configured a higher number than 510, channel 510 remains enabled.

**Examples**

**The unit starts receiving on DMX channel 1**

SW10	SW9	SW8	SW7	SW6	SW5	SW4	SW3	SW2	SW1	First DMX receive channel
0	0	0	0	0	0	0	0	0	1	1

The unit starts receiving on DMX channel 1. This occupies channels 1, 2, and 3.

**Example B, the unit starts receiving on DMX channel 22**

SW10	SW9	SW8	SW7	SW6	SW5	SW4	SW3	SW2	SW1	First DMX receive channel
0	0	0	0	0	1	0	1	1	0	22

The unit starts receiving on DMX channel 22. This occupies channels 22, 23, and 24.

**Example C, the unit starts receiving on DMX channel 272**

SW10	SW9	SW8	SW7	SW6	SW5	SW4	SW3	SW2	SW1	First DMX receive channel
0	1	0	0	0	1	0	0	0	0	272

The unit starts receiving on DMX channel 272. This occupies channels 272, 273, and 274.

**Example D, the unit starts receiving on DMX channel 510**

SW10	SW9	SW8	SW7	SW6	SW5	SW4	SW3	SW2	SW1	First DMX receive channel
0	1	1	1	1	1	1	1	1	0	510

The unit starts receiving on DMX channel 510. This occupies channels 510, 511, and 512.

## 7.11 3-channel DMX master mode

This mode offers the same features as the 5-channel DMX master mode, as described in section 7.9. The difference lies in the use of the DMX channels. In this mode, only three DMX channels are used to control a device. In this operating mode, also other devices than LED PARs, e.g. power packs or LED PARs of other manufacturers that support control via a DMX master can be connected.

### Mode selection

To enable the 3-channel DMX master mode, set the 4-way DIP switch on the rear side of the LED PAR according to the following table:

SW4	SW3	SW2	SW1	Mode
X	1	1	0	3-channel DMX master mode

0 = DIP switch is in OFF position. 1 = DIP switch is in ON position. X = see below for more information (setting the speed).

**Setting the speed**

Using SW4 you can set how the speed is controlled. Please orient yourself by the following table:

SW4	SW3	SW2	SW1	Mode
0	X	X	X	Speed controlled by controller, if supported by the selected operating mode
1	X	X	X	Speed controlled by music, if supported by the selected operating mode

0 = DIP switch is in OFF position. 1 = DIP switch is in ON position. X = see more information above (setting the mode).

## DMX use with 3-channel control

In master mode, the LED PAR sends DMX data according to the following table. The connected slave devices must be set as 3-channel slaves ( [↪ Chapter 7.10 '3-channel DMX slave mode' on page 70](#)).

Spot light	Channel	
1	1	DMX CH = RED
	2	DMX CH = GREEN
	3	DMX CH = BLUE
2	4	DMX CH = RED
	5	DMX CH = GREEN
	6	DMX CH = BLUE
3	7	DMX CH = RED
	8	DMX CH = GREEN
	9	DMX CH = BLUE

Spot light	Channel	
4	10	DMX CH = RED
	11	DMX CH = GREEN
	12	DMX CH = BLUE

### Setting the colour pattern

Same settings as in 5-channel DMX master mode, ↪ *Chapter 7.9 '5-channel DMX master mode' on page 51.*

**Examples**

**Example A**

This example shows how to set up 4 LED PARs that are controlled in 3-channel DMX-Master mode.

Connection: MASTER: device 1, SLAVE1: device 2, SLAVE2: device 3, SLAVE3: device 4.

**MASTER setup, device 1, must be configured as follows:**

SW 10	SW 9	SW 8	SW 7	SW 6	SW 5	SW 4	SW 3	SW 2	SW 1	Colour pattern
0	1	1	1	1	1	1	1	1	0	Follow pattern 1, right to left, same colour for each step

SW4	SW3	SW2	SW1	Mode
0	1	1	0	3-channel DMX master mode

This is the DIP switch setting for the 3-channel DMX master mode.

**SLAVE 1 setup, device 2, DMX start channel 4:**



10-way DIP switch PATTERN										4-way-DIP switch FUNCTION			
SW10	SW9	SW8	SW7	SW6	SW5	SW4	SW3	SW2	SW1	SW4	SW3	SW2	SW1
0	0	0	0	0	0	0	1	0	0	0	1	0	1

The unit starts receiving on DMX channel 4. This occupies channels 4, 5, and 6.

**SLAVE 2 setup, device 3, DMX start channel 7:**

10-way DIP switch PATTERN										4-way-DIP switch FUNCTION			
SW10	SW9	SW8	SW7	SW6	SW5	SW4	SW3	SW2	SW1	SW4	SW3	SW2	SW1
0	0	0	0	0	0	0	1	1	1	0	1	0	1

The unit starts receiving on DMX channel 7. This occupies channels 7, 8, and 9.

**SLAVE 3 setup, device 4, DMX start channel 10:**

PAR64 PRO 36x3WPar56 Pro 24x3W Mini Stage Par 7x3W  
Stage PAR 18 Tri-Color LED3W

10-way DIP switch PATTERN										4-way-DIP switch FUNCTION			
SW10	SW9	SW8	SW7	SW6	SW5	SW4	SW3	SW2	SW1	SW4	SW3	SW2	SW1
0	0	0	0	0	0	1	0	1	0	0	1	0	1

The unit starts receiving on DMX channel 10. This occupies channels 10, 11, and 12.

**Example B**

This example shows how to set up 8 LED PARs that are controlled in 3-channel DMX-Master mode. The patterns are being sent yet for 4 channels.

Connection: MASTER: device 1, SLAVE1: device 2, SLAVE2: device 3, SLAVE3: device 4, SLAVE4: device 5, SLAVE5: device 6, SLAVE6: device 7, SLAVE7: device 8.

**MASTER setup, device 1, must be configured as follows:**

SW 10	SW 9	SW 8	SW 7	SW 6	SW 5	SW 4	SW 3	SW 2	SW 1	Colour pattern
0	0	0	0	0	1	0	0	1	0	Follow pattern 1, right to left, same colour for each step

SW4	SW3	SW2	SW1	Mode
0	1	1	0	3-channel DMX master mode

This is the DIP switch setting for the 3-channel DMX master mode.

**SLAVE 1 setup, device 2, DMX start channel 4:**

10-way DIP switch PATTERN										4-way-DIP switch FUNCTION			
SW10	SW9	SW8	SW7	SW6	SW5	SW4	SW3	SW2	SW1	SW4	SW3	SW2	SW1
0	0	0	0	0	0	0	1	0	0	0	1	0	1

The unit starts receiving on DMX channel 4. This occupies channels 4, 5, and 6.

**SLAVE 2 setup, device 3, DMX start channel 7:**

10-way DIP switch PATTERN										4-way-DIP switch FUNCTION			
SW10	SW9	SW8	SW7	SW6	SW5	SW4	SW3	SW2	SW1	SW4	SW3	SW2	SW1
0	0	0	0	0	0	0	1	1	1	0	1	0	1

The unit starts receiving on DMX channel 7. This occupies channels 7, 8, and 9.

**SLAVE 3 setup, device 4, DMX start channel 10:**

10-way DIP switch PATTERN										4-way-DIP switch FUNCTION			
SW10	SW9	SW8	SW7	SW6	SW5	SW4	SW3	SW2	SW1	SW4	SW3	SW2	SW1
0	0	0	0	0	0	1	0	1	0	0	1	0	1

The unit starts receiving on DMX channel 10. This occupies channels 10, 11, and 12.

**SLAVE 4 setup, device 5, DMX start channel 1:**

10-way DIP switch PATTERN										4-way-DIP switch FUNCTION			
SW10	SW9	SW8	SW7	SW6	SW5	SW4	SW3	SW2	SW1	SW4	SW3	SW2	SW1
0	0	0	0	0	0	0	0	0	1	0	1	0	1

The unit starts receiving on DMX channel 1. This occupies channels 1, 2, and 3.

**SLAVE 5 setup, device 6, DMX start channel 4:**

10-way DIP switch PATTERN										4-way-DIP switch FUNCTION			
SW10	SW9	SW8	SW7	SW6	SW5	SW4	SW3	SW2	SW1	SW4	SW3	SW2	SW1
0	0	0	0	0	0	0	1		0	0	1	0	1

The unit starts receiving on DMX channel 4. This occupies channels 4, 5, and 6.

**SLAVE 6 setup, device 7, DMX start channel 7:**

10-way DIP switch PATTERN										4-way-DIP switch FUNCTION			
SW10	SW9	SW8	SW7	SW6	SW5	SW4	SW3	SW2	SW1	SW4	SW3	SW2	SW1
0	0	0	0	0	0	0	1	1	1	0	1	0	1

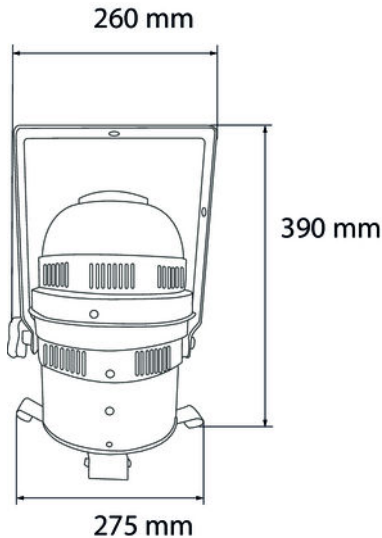
The unit starts receiving on DMX channel 7. This occupies channels 7, 8, and 9.

**SLAVE 7 setup, device 8, DMX start channel 10:**

10-way DIP switch PATTERN										4-way-DIP switch FUNCTION			
SW10	SW9	SW8	SW7	SW6	SW5	SW4	SW3	SW2	SW1	SW4	SW3	SW2	SW1
0	0	0	0	0	0	1	0	1	0	0	1	0	1

The unit starts receiving on DMX channel 10. This occupies channels 10, 11, and 12.

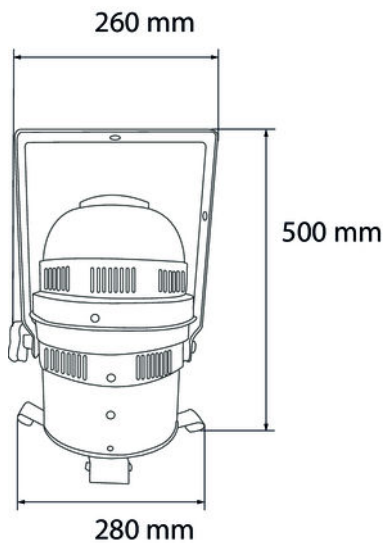
## 8 Technical specifications



### Item no. 222333/222334 Stairville LED-PAR 64 Pro 36X3W RGB Short black/silver

LEDs	36 × High-Power RGB (3 W)
Number of DMX channels	3, 5
Operating supply voltage	AC 100 - 240 V ~ 50/60 Hz
Protection	IP30
Dimensions	260 mm × 390 mm × 275 mm (10.24 in × 15.35 in × 10.83 in)
Weight	2.5 kg

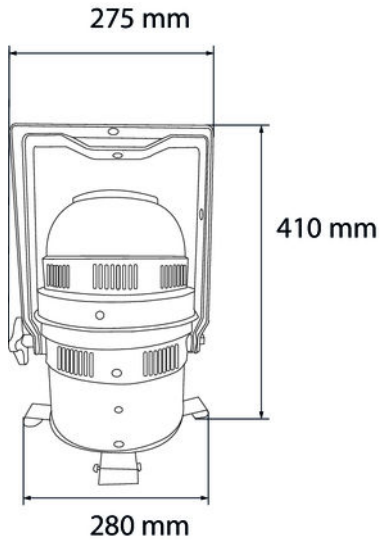
PAR64 PRO 36x3WPar56 Pro 24x3W Mini Stage Par 7x3W  
Stage PAR 18 Tri-Color LED3W



## Item no. 222335 Stairville LED-PAR 64 Pro 36X3W RGB Long black/silver

LEDs	36 × High-Power RGB (3 W)
Number of DMX channels	3, 5
Operating supply voltage	AC 100 - 240 V ~ 50/60 Hz
Dimensions	260 mm × 500 mm × 280 mm (10.24 in × 19.69 in × 11.02 in)
Weight	2.8 kg

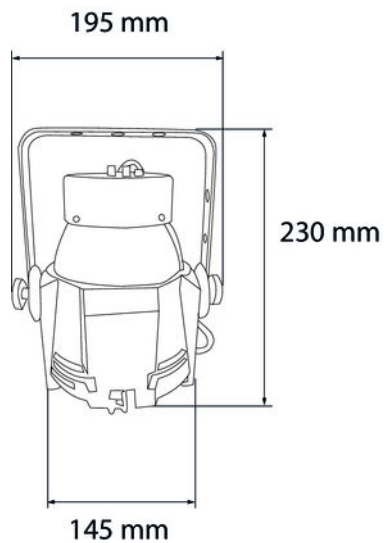




**Item no. 222331/222332 Stairville LED-PAR 64 Pro 36X3W RGB Floor black/silver**

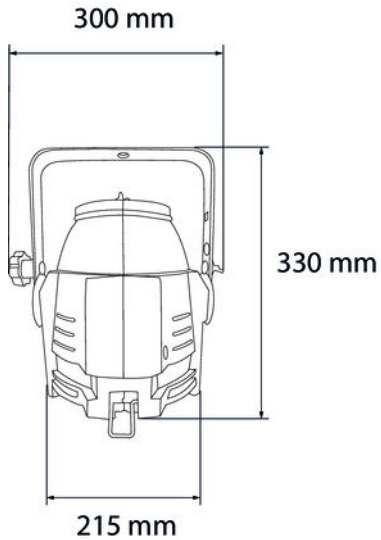
LEDs	36 × High-Power RGB (3 W)
Number of DMX channels	3, 5
Operating supply voltage	AC 100 - 240 V ~ 50/60 Hz
Dimensions	275 mm × 410 mm × 280 mm
Weight	2.5 kg

PAR64 PRO 36x3WPar56 Pro 24x3W Mini Stage Par 7x3W  
Stage PAR 18 Tri-Color LED3W



### Item no. 254113 Stairville Mini Stage PAR 7X3W RGB black

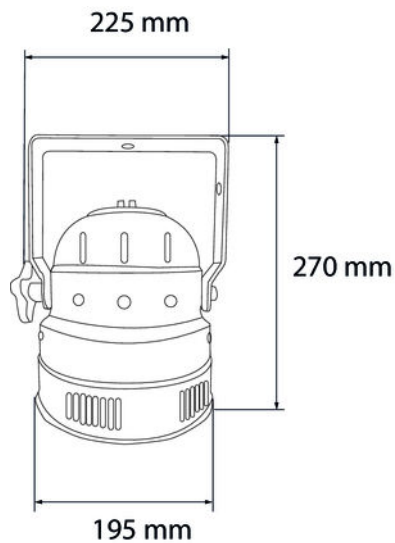
LEDs	7 × High-Power RGB (3 W)
Number of DMX channels	3, 5
Operating supply voltage	AC 100 - 240 V ~ 50/60 Hz
Dimensions	195 mm × 230 mm × 145 mm
Weight	1.7 kg



**Item no. 212903 Stairville Stage PAR 18X3W RGB**

LEDs	18 × High-Power RGB (3 W)
Number of DMX channels	3, 5
Operating supply voltage	AC 100 - 240 V ~ 50/60 Hz
Dimensions	300 mm × 330 mm × 215 mm (10.24 in × 19.69 in × 11.02 in)
Weight	2.5 kg

PAR64 PRO 36x3W Par56 Pro 24x3W Mini Stage Par 7x3W  
Stage PAR 18 Tri-Color LED3W



## Item no. 270650/270651 Stairville LED Par56 Pro 24x3W black/pol. RGB

LEDs	24 × High-Power RGB (3 W)
Number of DMX channels	3, 5
Operating supply voltage	AC 100 - 240 V ~ 50/60 Hz
Dimensions	225 mm × 270 mm × 195 mm (8.86 in × 10.63 in × 7.68 in)
Weight	2.2 kg

**Environmental conditions**

Temperature range	0 °C...40 °C
Relative humidity	50 %, non-condensing

PAR64 PRO 36x3W Par56 Pro 24x3W Mini Stage Par 7x3W  
 Stage PAR 18 Tri-Color LED3W

## 9 Plug and connection assignments

### Introduction

This chapter will help you select the right cables and plugs to connect your valuable equipment so that a perfect light experience is guaranteed.

Please take our tips, because especially in 'Sound & Light' caution is indicated: Even if a plug fits into a socket, the result of an incorrect connection may be a destroyed DMX controller, a short circuit or 'just' a not working light show!

### DMX connections

The unit offers a 3-pin XLR socket for DMX output and a 3-pin XLR plug for DMX input. Please refer to the drawing and table below for the pin assignment of a suitable XLR plug.



Pin	Configuration
1	Ground, shielding
2	Signal inverted (DMX-, 'cold signal')
3	Signal (DMX+, 'hot signal')

## 10 Troubleshooting



### **NOTICE!**

#### **Possible data transmission errors**

For error-free operation make use of dedicated DMX cables and do not use ordinary microphone cables.

Never connect the DMX input or output to audio devices such as mixers or amplifiers.

In the following we list a few common problems that may occur during operation. We give you some suggestions for easy troubleshooting:

Symptom	Remedy
The unit does not work, no light.	Check the mains connection and the fuse.
No response to the DMX controller.	1. Check the DMX ports and cables for proper connection.
	2. Check the address settings and the DMX polarity.
	3. Try using another DMX controller.
	4. Check to see if the DMX cables run near or alongside to high voltage cables that may cause damage or interference to DMX interface circuits.

If the procedures recommended above do not succeed, please contact our Service Center. You can find the contact information at [www.thomann.de](http://www.thomann.de).



# 11 Cleaning

## Optical lenses

Clean the optical lenses, that are accessible from the outside, regularly in order to optimize the light output. The frequency of cleaning depends on the operating environment: wet, smoky or particularly dirty surroundings can cause more accumulation of dirt on the optics of the device.

- Clean with a soft cloth using our lamp and lens cleaner (item no. 280122).
- Always dry the parts carefully.

## Fan grids

The fan grids of the device must be cleaned on a regular basis to remove dust and dirt. Before cleaning, switch off the device and disconnect AC-powered devices from the mains. Use a lint-free damp cloth for cleaning. Never use solvents or alcohol for cleaning.

## 12 Protecting the environment

### Disposal of the packaging material



For the transport and protective packaging, environmentally friendly materials have been chosen that can be supplied to normal recycling.

Ensure that plastic bags, packaging, etc. are properly disposed of.

Do not just dispose of these materials with your normal household waste, but make sure that they are collected for recycling. Please follow the notes and markings on the packaging.

### Disposal of your old device



This product is subject to the European Waste Electrical and Electronic Equipment Directive (WEEE) in its currently valid version. Do not dispose with your normal household waste.

Dispose of this device through an approved waste disposal firm or through your local waste facility. When discarding the device, comply with the rules and regulations that apply in your country. If in doubt, consult your local waste disposal facility.



Musikhaus Thomann · Hans-Thomann-Straße 1 · 96138 Burgebrach · Germany · [www.thomann.de](http://www.thomann.de)