




STAIRVILLE

DCL Flat Par
18x4W CW/WW
LED PAR

Musikhaus Thomann
Thomann GmbH
Hans-Thomann-Straße 1
96138 Burgebrach
Germany
Telephone: +49 (0) 9546 9223-0
E-mail: info@thomann.de
Internet: www.thomann.de

14.01.2020, ID: 347497 (V2)

Table of contents

1	General information	5
	1.1 Further information.....	6
	1.2 Notational conventions.....	7
	1.3 Symbols and signal words.....	7
2	Safety instructions	10
3	Features	16
4	Installation	17
5	Starting up	21
6	Connections and operating elements	24
7	Operating	33
	7.1 Operating on the unit.....	33
	7.2 Remote control functions.....	39
	7.3 Functions in 2-channel DMX mode.....	41
	7.4 Functions in 6-channel DMX mode.....	42
8	Technical specifications	44

9	Plug and connection assignments.....	47
10	Troubleshooting.....	48
11	Cleaning.....	51
12	Protecting the environment.....	52

1 General information

This user manual contains important information on the safe operation of the device. Read and follow all safety notes and all instructions. Save this manual for future reference. Make sure that it is available to all persons using this device. If you sell the device to another user, be sure that they also receive this manual.

Our products and user manuals are subject to a process of continuous development. We therefore reserve the right to make changes without notice. Please refer to the latest version of the user manual which is ready for download under www.thomann.de.

1.1 Further information

On our website (www.thomann.de) you will find lots of further information and details on the following points:

Download	This manual is also available as PDF file for you to download.
Keyword search	Use the search function in the electronic version to find the topics of interest for you quickly.
Online guides	Our online guides provide detailed information on technical basics and terms.
Personal consultation	For personal consultation please contact our technical hotline.
Service	If you have any problems with the device the customer service will gladly assist you.

1.2 Notational conventions

This manual uses the following notational conventions:

Letterings

The letterings for connectors and controls are marked by square brackets and italics.

Examples: *[VOLUME]* control, *[Mono]* button.



Displays



Texts and values displayed on the device are marked by quotation marks and italics.

Examples: *'24ch'*, *'OFF'*.

1.3 Symbols and signal words

In this section you will find an overview of the meaning of symbols and signal words that are used in this manual.

Signal word	Meaning
DANGER!	This combination of symbol and signal word indicates an immediate dangerous situation that will result in death or serious injury if it is not avoided.
WARNING!	This combination of symbol and signal word indicates a possible dangerous situation that can result in death or serious injury if it is not avoided.
NOTICE!	This combination of symbol and signal word indicates a possible dangerous situation that can result in material and environmental damage if it is not avoided.
Warning signs	Type of danger
	Warning – high-voltage.
	Warning – dangerous optical radiation.

Warning signs	Type of danger
	Warning – suspended load.
	Warning – danger zone.

2 Safety instructions

Intended use

This device is intended for use as an electronic lighting effect by means of LED technology. The device is designed for professional use and is not suitable for use in households. Use the device only as described in this user manual. Any other use or use under other operating conditions is considered to be improper and may result in personal injury or property damage. No liability will be assumed for damages resulting from improper use.

This device may be used only by persons with sufficient physical, sensorial, and intellectual abilities and having corresponding knowledge and experience. Other persons may use this device only if they are supervised or instructed by a person who is responsible for their safety.

Extend the life of the device by regular breaks in operation and avoid switching it on and off frequently. This device is not suitable for continuous use.

Safety**DANGER!****Danger for children**

Ensure that plastic bags, packaging, etc. are disposed of properly and are not within reach of babies and young children. Choking hazard!

Ensure that children do not detach any small parts (e.g. knobs or the like) from the unit. They could swallow the pieces and choke!

Never let children unattended use electrical devices.

**DANGER!****Electric shock caused by high voltages inside**

Within the device there are areas where high voltages may be present. Never remove any covers.

There are no user-serviceable parts inside.

Do not use the device if covers, protectors or optical components are missing or damaged.



DANGER!

Electric shock caused by short-circuit

Always use proper ready-made insulated mains cabling (power cord) with a protective contact plug. Do not modify the mains cable or the plug. Failure to do so could result in electric shock/death or fire. If in doubt, seek advice from a registered electrician.



WARNING!

Eye damage caused by high light intensity

Never look directly into the light source.



WARNING!

Risk of epileptic shock

Strobe lighting can trigger seizures in photosensitive epilepsy. Sensitive persons should avoid looking at strobe lights.



NOTICE!

Risk of fire

Do not block areas of ventilation. Do not install the device near any direct heat source. Keep the device away from naked flames.



NOTICE!

Operating conditions

This device has been designed for indoor use only. To prevent damage, never expose the device to any liquid or moisture. Avoid direct sunlight, heavy dirt, and strong vibrations.

Only operate the device within the ambient conditions specified in the chapter 'Technical specifications' of this user manual. Avoid heavy temperature fluctuations and do not switch the device on immediately after it was exposed to temperature fluctuations (for example after transport at low outside temperatures).

Dust and dirt inside can damage the unit. When operated in harmful ambient conditions (dust, smoke, nicotine, fog, etc.), the unit should be maintained by qualified service personnel at regular intervals to prevent overheating and other malfunction.



NOTICE!

Power supply

Before connecting the device, ensure that the input voltage (AC outlet) matches the voltage rating of the device and that the AC outlet is protected by a residual current circuit breaker. Failure to do so could result in damage to the device and possibly injure the user.

Unplug the device before electrical storms occur and when it is unused for long periods of time to reduce the risk of electric shock or fire.



NOTICE!

Possible damage due to installation of a wrong fuse

The use of different types of fuses can cause serious damage to the unit. Fire hazard!

Only fuses of the same type may be used.

3 Features

The LED PAR is particularly suitable for professional lighting tasks, for example at events, on rock stages, in theatres and musicals. It's characterized by low power consumption and long service life.

Special features of the device:

- 18 × 2-in-1 dual-colour LEDs for almost any desired colour temperature in the white light spectrum (4 W each)
- Extraordinary high light output
- Control via DMX (two or six channels), via supplied infrared remote and via buttons and display on the unit
- 5 preprogrammed automatic shows
- Sound control
- Master / Slave mode
- Compact and robust metal housing

For technological reasons, the light output of LEDs decreases over their lifetime. This effect increases with higher operating temperature. You can extend the service life of the illuminants by providing adequate ventilation and operating the LEDs with the lowest possible brightness.

4 Installation

Unpack and check carefully there is no transportation damage before using the unit. Keep the equipment packaging. To fully protect the product against vibration, dust and moisture during transportation or storage use the original packaging or your own packaging material suitable for transport or storage, respectively.



WARNING!

Risk of injury caused by falling objects

Make sure that the installation complies with the standards and rules that apply in your country. Always secure the device with a secondary safety attachment, such as a safety cable or a safety chain.



NOTICE!

Risk of overheating

The distance between light output and the illuminated surface must be more than 1.5 m (19.7in).

Provide sufficient ventilation.

The ambient temperature must always be below 40 °C (104 °F).



NOTICE!

Use of stands

When mounting the device onto a stand, ensure that the stand is in a safe and stable position and that the weight of the device does not exceed the maximum permissible load capacity of the stand.

**NOTICE!****Possible data transmission errors**

For error-free operation make use of dedicated DMX cables and do not use ordinary microphone cables.

Never connect the DMX input or output to audio devices such as mixers or amplifiers.

Mounting options

You can install the unit in hanging or standing position. When in use, the device must always be attached to a solid surface or an approved truss. Use the openings provided on the two-piece bracket for attaching.

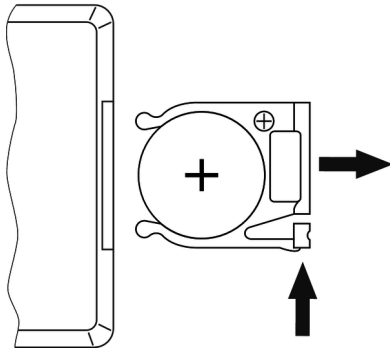
Always work from a stable platform whenever installing, moving or servicing the unit. In doing so, the area underneath the unit must be cordoned off.

The safety cable must be attached to the bracket.

Infrared sensor for the remote control

The infrared receiver is located near the main LED on the front panel of the device. Make sure that it is not obstructed.

Inserting the battery into the remote control



Press the lock of the battery holder to the centre of the housing and pull out the battery holder like a drawer. Insert the battery. The battery is correct if the positive pole points to the housing base of the remote control. Slide the battery holder back into the remote until it clicks into place.

When shipping, the battery is already installed in the remote and protected against discharge by a transparent plastic foil. Remove the plastic foil prior to first use.



Please note that this device must not be connected to a dimmer.

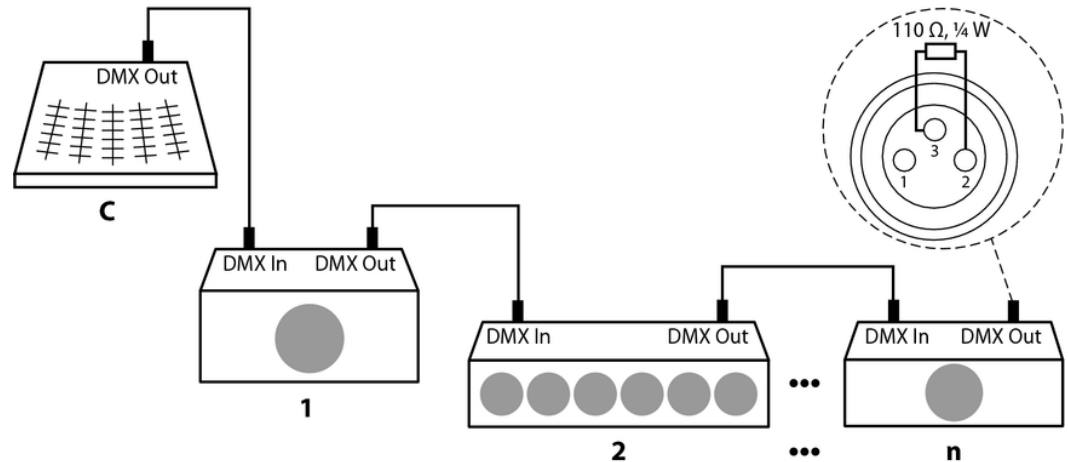
5 Starting up

Create all connections while the device is off. Use the shortest possible high-quality cables for all connections. Take care when running the cables to prevent tripping hazards.

Connections in 'DMX' mode

Connect the DMX input of the device to the DMX output of a DMX controller or other DMX device. Connect the output of the first DMX device to the input of the second one and so on, to form a series connection.

Such a chain may consist of up to 30 DMX devices. Make sure that the output of the last device in the chain is terminated by a resistor ($110\ \Omega$, $\frac{1}{4}\text{ W}$).



DMX indicator

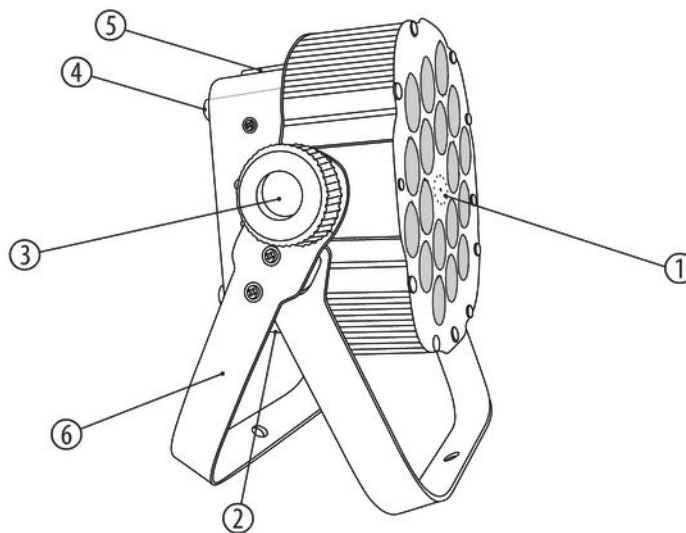
If the unit is in DMX mode and a DMX controller is connected and turned on, the 'd' is flashing in the first digit of the display.

Connections in 'Master / Slave' mode

When you configure a group of devices in 'Master / Slave' mode, the first device controls the others and allows an automatic, music-controlled and synchronized show. This feature is especially useful to start a show without much programming. Connect the DMX output of the master unit to the DMX input of the first slave unit. Then connect the DMX output of the first slave unit to the DMX input of the second slave unit and so on (maximum 30 slaves).

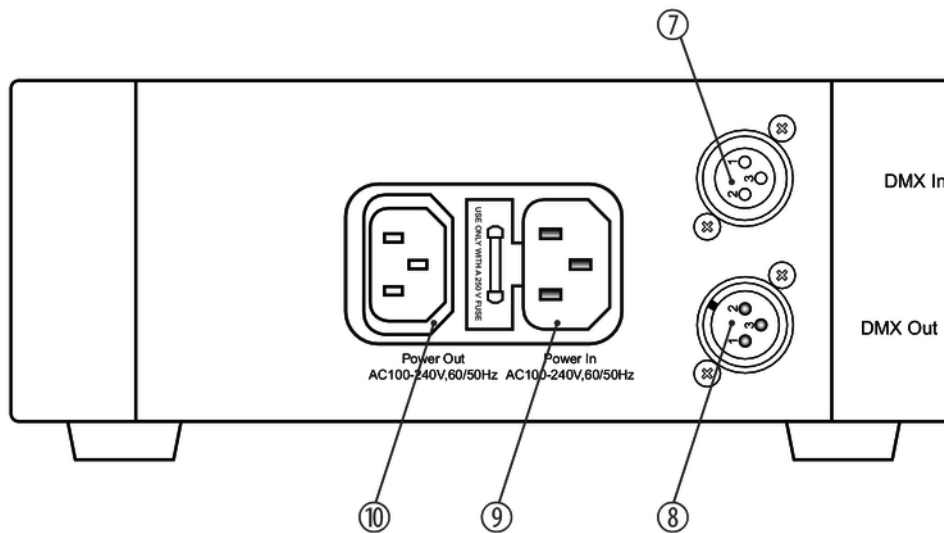
6 Connections and operating elements

Overview



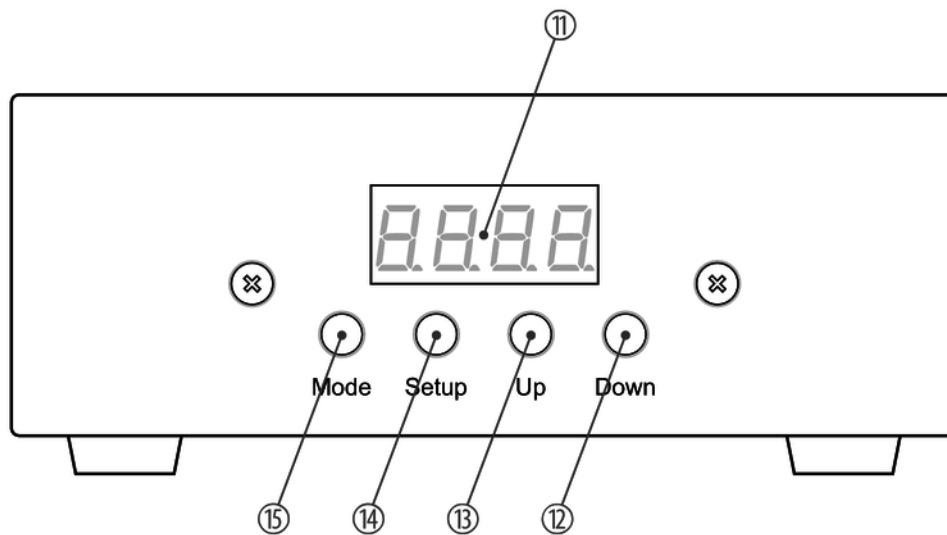
1	Infrared sensor for the signals from the remote control.
2	Bottom side with connections (DMX and power supply).
3	Locking screws for the mounting brackets.
4	Rubber feet for floor placement.
5	Tops side with operating elements.
6	Mounting bracket for mounting or hanging.

Bottom side with connections



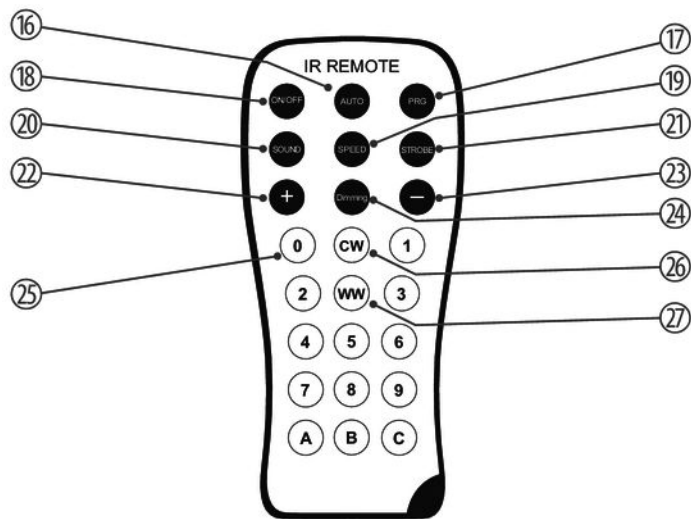
7	<i>[DMX In]</i> DMX input.
8	<i>[DMX Out]</i> DMX output.
9	<i>[POWER In]</i> IEC chassis plug for operating voltage supply with fuse holder.
10	<i>[POWER Out]</i> IEC chassis socket for the voltage supply cable to the next unit (maximum 18 further units).

Tops side with operating elements



11	Display.
12	<i>[Down]</i> Navigates downwards in a menu list. Decreases the displayed value by one.
13	<i>[Up]</i> Navigates upwards in a menu list. Increases the displayed value by one.
14	<i>[Setup]</i> Selects an option of the respective operating mode.
15	<i>[Mode]</i> Activates the main menu and toggles between menu items.

Remote control



16	<i>[AUTO]</i> Activates the 'Automatic' mode.
17	<i>[PRG]</i> Activates the operating mode 'Preprogrammed automatic show'. Select the desired programme with the buttons <i>[+]</i> and <i>[-]</i> .
18	<i>[ON/OFF]</i> Activates / deactivates the device.
19	<i>[SPEED]</i> Activates the setting mode for the programme speed. Adjust the speed using the buttons <i>[+]</i> and <i>[-]</i> .
20	<i>[SOUND]</i> Starts the music-controlled automatic show.
21	<i>[STROBE]</i> Turns the strobe effect on / off.
22	<i>[+]</i> Increases the set value.

23	<i>[-]</i> Decreases the set value.
24	<i>[Dimming]</i> No function.
25	<i>[0 ... 9], [A ... C]</i> Input buttons to select a desired colour temperature and the dimming factor.
26	<i>[CW]</i> Button to select the colour temperature range 'Cold white'.
27	<i>[WW]</i> Button to select the colour temperature range 'Warm white'.

7 Operating

Connect the device to the power supply to start operation. After a few seconds, the display indicates that a reset is in progress. The device is then ready for use.

7.1 Operating on the unit

Press *[Mode]* to activate the main menu and select an operating mode. Use *[Setup]* to select further options. Use *[Up]* and *[Down]* to change the respectively indicated value. When the display shows the desired value, press *[Mode]*.

If you don't press any button for about ten seconds the display turns off. It will be reactivated to display the previously called menu by pressing any button.

The set values are retained even when the device is disconnected from the mains power supply.

Operating mode 'Preprogrammed automatic show'

A preprogrammed automatic show can only be activated when the unit is operating in stand alone mode or as master in a master / slave combination. This setting is only relevant if the device is not controlled via DMX.

Press *[Mode]* repeatedly, until the display shows 'Pro' and press *[Setup]*. Now you can select one of the preprogrammed automatic shows. Use *[Up]* and *[Down]* to select a value between 'Pr.01' and 'Pr.05'.

Settings for programme 01:

For 'Pr.01', you can choose from 3 predefined colour temperature values. Press *[Setup]*. With *[Up]* and *[Down]* you can now select one of the following colour temperature values:

- 0 – 'OFF': Off
- 1 – '-U': Warm white
- 2 – '-C': Cold white
- 3 – 'UC': Warm and cold white
-
-

To adjust the strobe frequency, press again *[Setup]*. The display shows 'FS.xx'. With *[Up]* and *[Down]* you can now select a value between 'FS.00' (slow) and 'FS.99' (fast).

Settings for programmes 02 to 05:

To adjust the programme process speed, press again *[Setup]*. The display shows 'SP.xx'. With *[Up]* and *[Down]* you can now select a value between 'SP.01' (slow) and 'SP.FL' (fast).

To adjust the strobe frequency, press again *[Setup]*. The display shows 'FS.xx'. With *[Up]* and *[Down]* you can now select a value between 'FS.00' (slow) and 'FS.99' (fast).

Operating mode 'Automatic'

Automatic operation can only be activated when the unit is operating in stand alone mode or as master in a master / slave combination. This setting is only relevant if the device is not controlled via DMX.

Press *[Mode]* repeatedly until the display shows 'AUTO'. The playback of the automatic show starts automatically.

Operating mode 'Sound control'

The sound controlled automatic show can only be activated when the unit is operating in stand alone mode or as master in a master / slave combination. This setting is only relevant if the device is not controlled via DMX.

Press *[Mode]* repeatedly until the display shows 'Soud'. This activates the sound controlled automatic show.

Press *[Setup]* and use *[Up]* and *[Down]* to adjust the sensitivity for the sound control in a range from 'SU.00' to 'SU.31'.

Operating mode 'Slave'

This setting is only relevant if the device is serving as Slave in a Master / Slave configuration and is not controlled via DMX.

Press *[Mode]* repeatedly until the display shows 'SLAV'.

Operating mode 'Dimmer'

Dimmer operation can only be activated when the unit is operating in stand alone mode or as master in a master / slave combination. This setting is only relevant if the device is not controlled via DMX.

Press *[Mode]* repeatedly until the display shows 'Colr'. Press *[Setup]*. The display shows the current colour temperature setting of the (the display shows 'U255', 'C255'). Press *[Setup]*, to toggle between cold white (C) and warm white (U).

With *[Up]* and *[Down]* you can set the colour temperature in the selected colour temperature range.

DMX mode

This setting is only relevant if the device is controlled via DMX.

Press *[Mode]* repeatedly, until the display shows 'd.xxx' and press *[Setup]*.

Now you can set the number of the first DMX channel to be used by the device (DMX address). Use *[Up]* and *[Down]* to select a value between 1 and 512 (the display shows 'd.001' ... 'd.510').

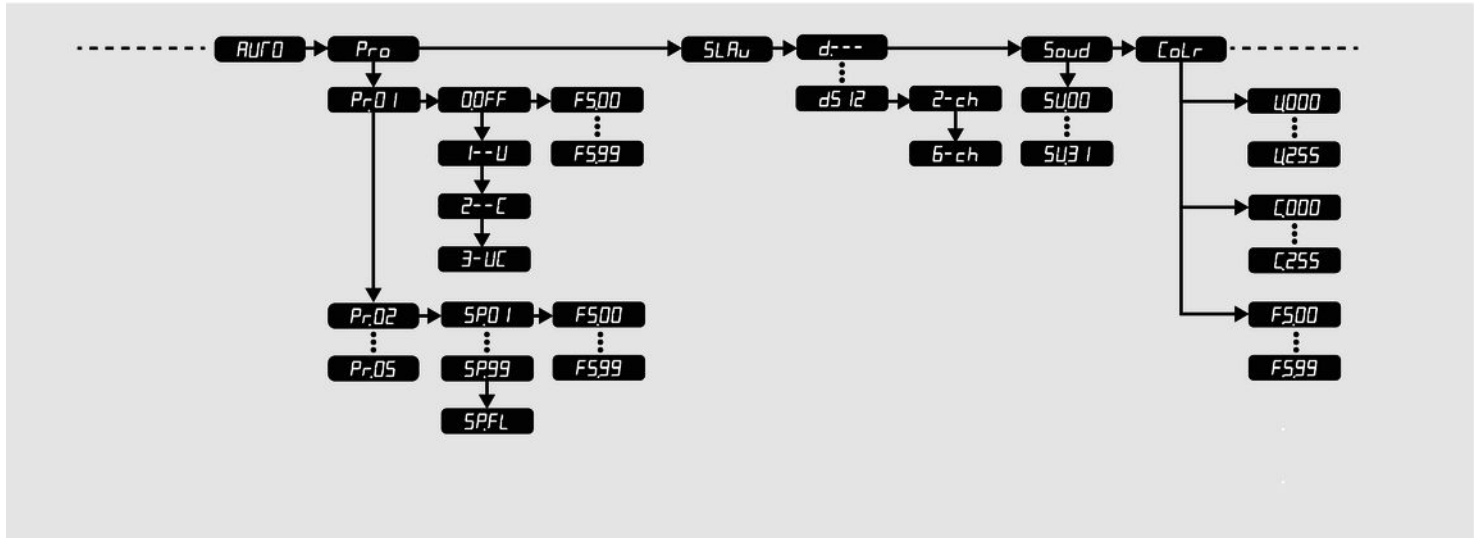
Make sure that this number matches the configuration of your DMX controller. The following table shows the highest possible DMX address for the various DMX modes

Mode	Highest possible DMX address
2-channel	511
6-channel	507

Press *[Setup]*. With *[Up]* and *[Down]* you can now select one of the following DMX operating modes:

- '2-ch' (four channels)
- '6-ch' (six channels)

Menu overview



7.2 Remote control functions

The control functions of the supplied IR remote control correspond to the control functions and buttons on the unit, except for the selection of the colour temperature range and the dimming factor.

Colour temperature range and dimming factor selection

You can set the desired colour temperature directly using the number and letter keys on the remote control. This setting is only relevant if the device is not controlled via DMX.

Use the buttons *[CW]* and *[WW]* to select the desired colour temperature range and set the desired colour temperature with the number and letter keys.

Value	Cold white (CW)	Warm white (WW)
0	100 %	0 %
1	100 %	15 %
2	100 %	35 %
3	100 %	50 %
4	100 %	65 %
5	100 %	80 %
6	100 %	100 %
7	80 %	100 %
8	65 %	100 %

Value	Cold white (CW)	Warm white (WW)
9	50 %	100 %
A	35 %	100 %
B	15 %	100 %
C	0 %	100 %

7.3 Functions in 2-channel DMX mode

Channel	Value	Function
1	0...255	Colour temperature warm white (0 % to 100 %)
2	0...255	Colour temperature cold white (0 % to 100 %)

7.4 Functions in 6-channel DMX mode

Channel	Value	Function
1	0...255	Master dimmer
2	0...255	Colour temperature selection warm white, if channel 4 = 0
3	0...255	Colour temperature selection cold white, if channel 4 = 0
4	0	No function
	1...42	Programme 01
	43...85	Programme 02
	86...128	Programme 03
	129...171	Programme 04
	172...214	Programme 05
	215...255	Sound control
5	0...63	No function, if channel 4 = 0

Channel	Value	Function
	64...127	Warm white, if channel 4 = 1...42 (programme 01)
	128...191	Cold white, if channel 4 = 1...42 (programme 01)
	192...255	All, if channel 4 = 1...42 (programme 01)
	0...255	Programme process speed, if channel 4 = 43...214
	0...255	Sound-control sensitivity, if channel 4 = 215...255
6	0...255	Strobe effect

8 Technical specifications

Light source	18 × 2-in-1 DCL LEDs, 4 W each	
Optical properties	Beam angle	25°
Control	DMX	
	IR remote control	
Number of DMX channels	2, 6	
Input connections	Voltage supply	IEC chassis plug C14
	DMX control	XLR chassis socket, 3-pin
Output connections	Voltage supply	IEC chassis plug C13
	DMX control	XLR chassis socket, 3-pin
Power consumption	68 W	
Supply voltage	100 – 240 V ~ 50/60 Hz	
Fuse	5 mm × 20 mm, 2 A, 250 V, slow-blow	

Battery remote control	Battery type	Lithium button cell, 3 V, CR 2025
Degree of protection	IP20	
Mounting options	Hanging, standing	
Dimensions (W × H × D)	210 mm × 210 mm × 135 mm (without bracket)	
	315 mm × 280 mm × 135 mm (incl. bracket)	
Weight	2.34 kg	
Ambient conditions	Temperature range	0 °C...40 °C
	Relative humidity	50 %, non condensing

Further information

Design	Flat PAR
Colour mixture	CW/WW
LED type	x-in-1
Base housing	Yes
Fanless	No
Remote control	Included
Wireless DMX	No
Housing colour	Black

9 Plug and connection assignments

Introduction

This chapter will help you select the right cables and plugs to connect your valuable equipment so that a perfect light experience is guaranteed.

Please take our tips, because especially in 'Sound & Light' caution is indicated: Even if a plug fits into a socket, the result of an incorrect connection may be a destroyed DMX controller, a short circuit or 'just' a not working light show!

DMX connections



The unit offers a 3-pin XLR socket for DMX output and a 3-pin XLR plug for DMX input. Please refer to the drawing and table below for the pin assignment of a suitable XLR plug.

Pin	Configuration
1	Ground, shielding
2	Signal inverted (DMX-, 'cold signal')
3	Signal (DMX+, 'hot signal')

10 Troubleshooting



NOTICE!

Possible data transmission errors

For error-free operation make use of dedicated DMX cables and do not use ordinary microphone cables.

Never connect the DMX input or output to audio devices such as mixers or amplifiers.

In the following we list a few common problems that may occur during operation. We give you some suggestions for easy troubleshooting:

Symptom	Remedy
The unit does not work, no light.	Check the mains connection and the main fuse.
No response to the DMX controller.	<ol style="list-style-type: none"> <li data-bbox="879 286 1525 454">1. If the unit is in DMX mode and a DMX controller is connected and turned on, the 'd' flashes in the first position of the display. If not, no valid DMX signal is received. Check that the DMX controller is switched on. Check the DMX connectors and cables for proper connection. <li data-bbox="879 454 1525 527">2. If the display is not flashing and there is still no response, check the address settings and DMX polarity. <li data-bbox="879 527 1525 589">3. Try using another DMX controller. <li data-bbox="879 589 1525 689">4. Check to see if the DMX cables run near or alongside to high voltage cables that may cause damage or interference to DMX interface circuits.
No response to the remote control	<ol style="list-style-type: none"> <li data-bbox="879 689 1525 768">1. Try the remote control at a different angle to the receiver on the front of the device. <li data-bbox="879 768 1525 818">2. Move the remote control closer to the unit. <li data-bbox="879 818 1525 862">3. Check the remote control battery.

If the procedures recommended above do not succeed, please contact our Service Center. You can find the contact information at www.thomann.de.

11 Cleaning

Optical lenses

Clean the optical lenses, that are accessible from the outside, regularly in order to optimize the light output. The frequency of cleaning depends on the operating environment: wet, smoky or particularly dirty surroundings can cause more accumulation of dirt on the optics of the device.

- Clean with a soft cloth using our lamp and lens cleaner (item no. 280122).
- Always dry the parts carefully.

Fan grids

The fan grids of the device must be cleaned of any contamination, such as dust, etc. on a regular basis. Before cleaning, switch off the device and disconnect mains-operated devices from the mains. Only use pH-neutral, solvent-free and non-abrasive cleaning agents. Clean the unit with a slightly damp lint-free cloth.

12 Protecting the environment

Disposal of the packaging material



For the transport and protective packaging, environmentally friendly materials have been chosen that can be supplied to normal recycling.

Ensure that plastic bags, packaging, etc. are properly disposed of.

Do not just dispose these materials with your normal household waste, but make sure that they are fed to a recovery. Please follow the notes and markings on the packaging.

Disposal of batteries



Batteries must not be disposed of as domestic waste or thrown into fire. Dispose of the batteries according to national or local regulations regarding hazardous waste. To protect the environment, dispose of empty batteries at your retail store or at appropriate collection sites.

Disposal of your old device



This product is subject to the European Waste Electrical and Electronic Equipment Directive (WEEE) in its currently valid version. Do not dispose with your normal household waste.

Dispose this device through an approved waste disposal firm or through your local waste facility. When discarding the device, comply with the rules and regulations that apply in your country. If in doubt, consult your local waste disposal facility.



