

∞  ∞
H·E·M·I·N·G·W·A·Y·

DP-501 MKII
digital piano



Musikhaus Thomann
Thomann GmbH
Hans-Thomann-Straße 1
96138 Burgebrach
Germany
Telephone: +49 (0) 9546 9223-0
E-mail: info@thomann.de
Internet: www.thomann.de

05.10.2016, ID: 358344, 360374, 365189

Table of contents

1	General information	5
1.1	Further information.....	5
1.2	Notational conventions.....	5
1.3	Symbols and signal words.....	6
2	Safety instructions	7
3	Features	9
4	Assembly instructions	10
5	Connectivity options	15
6	Control panel and connections	17
7	Operating	20
7.1	Turning on / off.....	20
7.2	Automatic shutoff.....	20
7.3	Adjusting the volume.....	20
7.4	Setting the tone.....	20
7.5	Setting the touch sensitivity.....	21
7.6	Setting up the digital piano, Function menu.....	21
7.6.1	Fine tuning.....	23
7.6.2	PAN effect first voice.....	23
7.6.3	PAN effect second voice, Split mode.....	24
7.6.4	PAN effect second voice, Dual mode.....	24
7.6.5	Volume first voice.....	24
7.6.6	Volume second voice, Split mode.....	25
7.6.7	Volume second voice, Dual mode.....	25
7.6.8	Octaving first voice.....	25
7.6.9	Octaving second voice, Split mode.....	26
7.6.10	Octaving second voice, Dual mode.....	26
7.6.11	Arpeggio mode.....	26
7.6.12	Activating MIDI reception.....	27
7.6.13	Activating MIDI out.....	27
7.6.14	Activating sound system.....	27
7.6.15	Reverb effect.....	28
7.6.16	Reverb effect ratio first voice.....	28
7.6.17	Reverb effect ratio second voice, Split mode.....	28
7.6.18	Reverb effect ratio second voice, Dual mode.....	29
7.6.19	Chorus effect.....	29
7.6.20	Chorus effect ratio first voice.....	30
7.6.21	Chorus effect ratio second voice, Split mode.....	30
7.6.22	Chorus effect ratio second voice, Dual mode.....	30
7.6.23	Function pedal 1.....	31
7.6.24	Function pedal 2.....	31
7.6.25	Track muting.....	32

7.6.26	Selecting first voice.....	32
7.6.27	Selecting second voice, Split mode.....	32
7.6.28	Selecting second voice, Dual mode.....	33
7.6.29	USB speed.....	33
7.6.30	Play mode.....	33
7.6.31	Selecting memory bank.....	34
7.6.32	Saving settings.....	34
7.6.33	Loading saved settings.....	34
7.6.34	Activating Bluetooth interface.....	35
7.6.35	Automatic shutoff.....	35
7.6.36	Reset to factory defaults.....	36
8	Functions.....	37
8.1	Playing demo songs.....	37
8.2	Reverb and Chorus effects.....	37
8.3	Selecting timbre.....	37
8.4	Split mode.....	37
8.5	Split point setting.....	38
8.6	Twin mode.....	38
8.7	Tempo / Tap function.....	38
8.8	Metronome.....	38
8.9	Transposing.....	39
8.10	Record, playback, delete.....	39
8.10.1	Recording in USB mode.....	39
8.10.2	Playing recordings from USB memory.....	40
8.10.3	Deleting recordings from USB memory.....	40
8.10.4	Recording in Melody mode.....	40
8.10.5	Playing melody tracks.....	41
8.10.6	Deleting melody tracks.....	41
8.11	Copying data to USB memory.....	41
8.12	Loading data from USB memory.....	41
8.13	Device configuration.....	42
8.13.1	Copying configuration file to USB memory.....	42
8.13.2	Loading configuration file from USB memory.....	42
8.13.3	Deleting configuration file from USB memory.....	42
9	Troubleshooting.....	44
10	MIDI implementation chart.....	45
11	Technical specifications.....	47
12	Protecting the environment.....	48

1 General information

This manual contains important instructions for the safe operation of the unit. Read and follow the safety instructions and all other instructions. Keep the manual for future reference. Make sure that it is available to all those using the device. If you sell the unit please make sure that the buyer also receives this manual.

Our products are subject to a process of continuous development. Thus, they are subject to change.

1.1 Further information

On our website (www.thomann.de) you will find lots of further information and details on the following points:

Download	This manual is also available as PDF file for you to download.
Keyword search	Use the search function in the electronic version to find the topics of interest for you quickly.
Online guides	Our online guides provide detailed information on technical basics and terms.
Personal consultation	For personal consultation please contact our technical hotline.
Service	If you have any problems with the device the customer service will gladly assist you.

1.2 Notational conventions

This manual uses the following notational conventions:

Letterings

The letterings for connectors and controls are marked by square brackets and italics.

Examples: *[VOLUME]* control, *[Mono]* button.

Displays

Texts and values displayed on the device are marked by quotation marks and italics.

Examples: '24ch', 'OFF'.

Instructions

The individual steps of an instruction are numbered consecutively. The result of a step is indented and highlighted by an arrow.

Example:

1. ➤ Switch on the device.
2. ➤ Press [Auto].
⇒ Automatic operation is started.
3. ➤ Switch off the device.



Cross-references

References to other locations in this manual are identified by an arrow and the specified page number. In the electronic version of the manual, you can click the cross-reference to jump to the specified location.

Example: See ➤ 'Cross-references' on page 6.

1.3 Symbols and signal words

In this section you will find an overview of the meaning of symbols and signal words that are used in this manual.

Signal word	Meaning
DANGER!	This combination of symbol and signal word indicates an immediate dangerous situation that will result in death or serious injury if it is not avoided.
CAUTION!	This combination of symbol and signal word indicates a possible dangerous situation that can result in minor injury if it is not avoided.
NOTICE!	This combination of symbol and signal word indicates a possible dangerous situation that can result in material and environmental damage if it is not avoided.
Warning signs	Type of danger
	Warning – high-voltage.
	Warning – danger zone.

2 Safety instructions

Intended use

This device is intended to be used for electronic sound generation using a piano keyboard. Use the device only as described in this user manual. Any other use or use under other operating conditions is considered to be improper and may result in personal injury or property damage. No liability will be assumed for damages resulting from improper use.

This device may be used only by persons with sufficient physical, sensorial, and intellectual abilities and having corresponding knowledge and experience. Other persons may use this device only if they are supervised or instructed by a person who is responsible for their safety.

Safety

**DANGER!****Danger for children**

Ensure that plastic bags, packaging, etc. are disposed of properly and are not within reach of babies and young children. Choking hazard!

Ensure that children do not detach any small parts (e.g. knobs or the like) from the unit. They could swallow the pieces and choke!

Never let children unattended use electrical devices.

**DANGER!****Electric shock caused by short-circuit**

Do not modify the mains cable or the plug. Failure to do so could result in electric shock/death or fire. If in doubt, seek advice from a registered electrician.

**DANGER!****Electric shock caused by high voltages inside**

Within the device there are areas where high voltages may be present. Never remove any covers.

There are no user-serviceable parts inside.

**CAUTION!****Possible hearing damage**

With loudspeakers or headphones connected, the device can produce volume levels that may cause temporary or permanent hearing impairment.

Do not operate the device permanently at a high volume level. Decrease the volume level immediately if you experience ringing in your ears or hearing impairment.

**CAUTION!****Risk of injury due to heavy weight**

Due to the heavy weight of the device, at least two persons are required for transport and installation.

**NOTICE!****Operating conditions**

This device has been designed for indoor use only. To prevent damage, never expose the device to any liquid or moisture. Avoid direct sunlight, heavy dirt, and strong vibrations.

**NOTICE!****External power supply**

The device is powered by an external power supply. Before connecting the external power supply, ensure that the input voltage (AC outlet) matches the voltage rating of the device and that the AC outlet is protected by a residual current circuit breaker. Failure to do so could result in damage to the device and possibly the user.

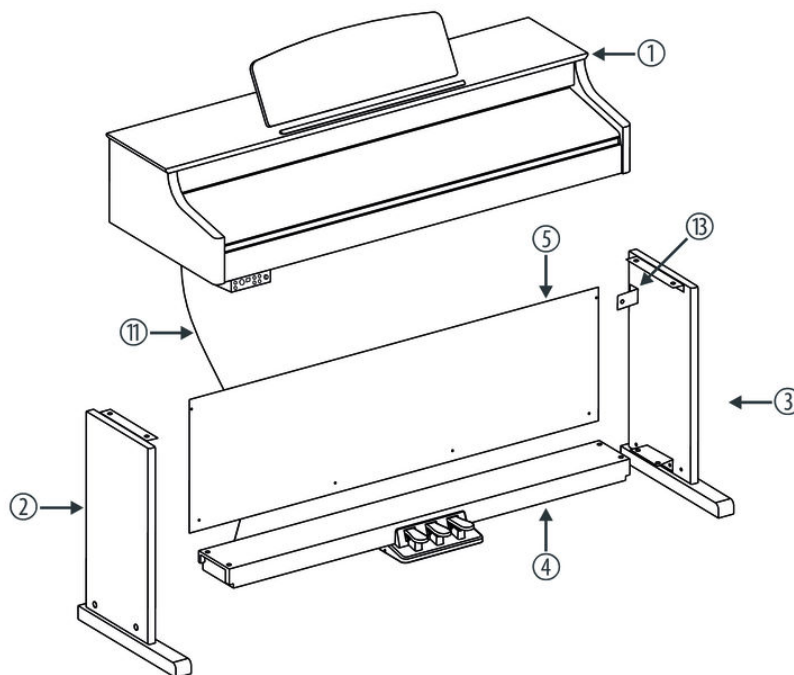
Unplug the external power supply before electrical storms occur and when the device is unused for long periods of time to reduce the risk of electric shock or fire.

3 Features

The digital piano is characterized by the following features:

- 88 weighted keys with hammer action and adjustable touch response
- Blue backlit LCD
- Integrated recorder (MIDI)
- Integrated speaker system
- Retractable keyboard cover
- User-friendly controls and indicators
- 16 selectable timbres
- Polyphony: 64-voice
- Recording capacity: 90,000 notes
- Reverb and Chorus effects
- Integrated metronome
- Dual and Split mode
- Six memory banks for user settings
- Three memory locations for user recordings
- Connections: USB, Bluetooth, LINE out, MIDI out, pedalry, 2 × headphones
- 12 V power supply included
- Automatic shutoff

4 Assembly instructions

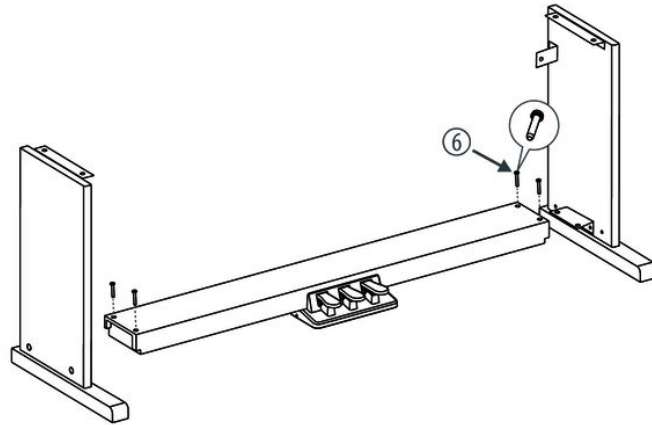


You need a Phillips screwdriver (not supplied) for the assembly of the digital piano. Open the package and please make sure before assembling that the entire scope of delivery is present, as posted here.

1	Digital piano housing with music stand
2	Left side panel
3	Right side panel
4	Pedal box
5	Back panel
6	4 × Phillips screws M6 × 20
7	6 × Phillips screws M4 × 12
8	4 × Phillips screws ST3 9 × 16
9	6 × washer Ø 4 mm
10	4 × Phillips screws M6 × 16
11	Pedal cable
12	Power cord
13	2 × mounting bracket

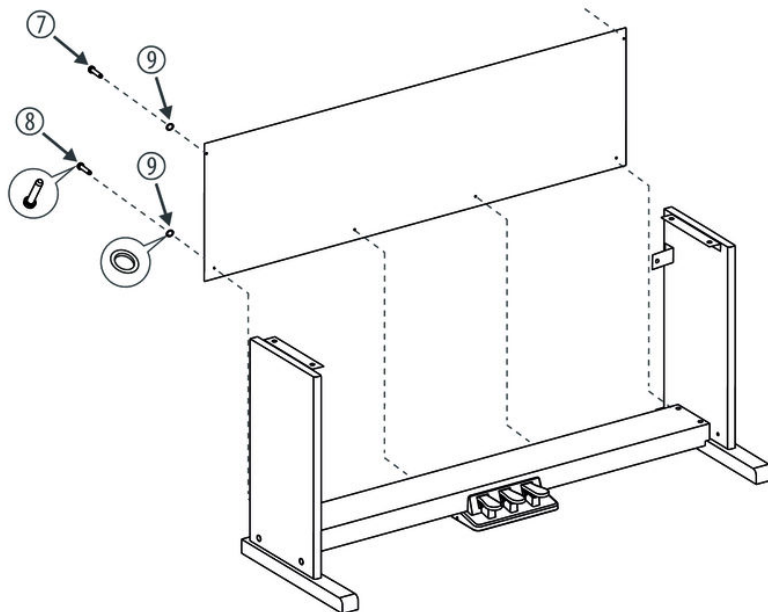
Mechanical assembly

1. ➤ Assemble the piano near a wall power outlet.
2. ➤ Proceed according to the illustrations and exclusively use the supplied Phillips screws. Using other screws could damage the piano housing or result in a reduced stability of the piano.

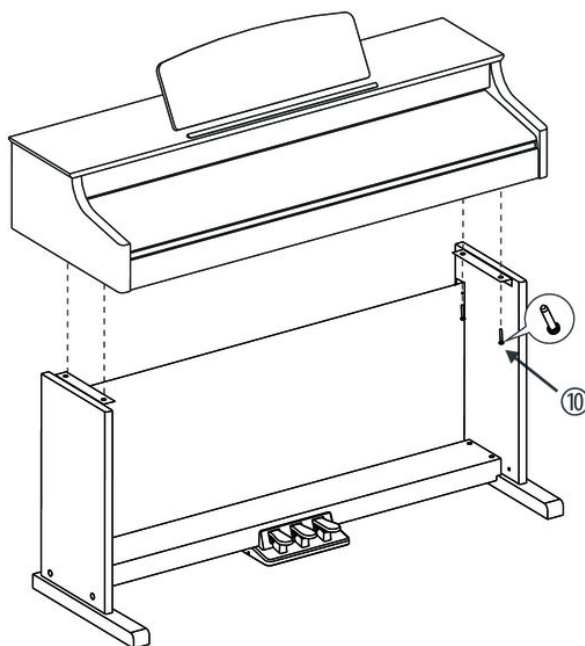


3. ➤ Screw the levelling bolt on the bottom of the pedal box completely in.
Put the pedal box on the angle pieces of the left and right side panel and use two Phillips screws M6 × 20 on each side to affix both side panels to the pedal box.

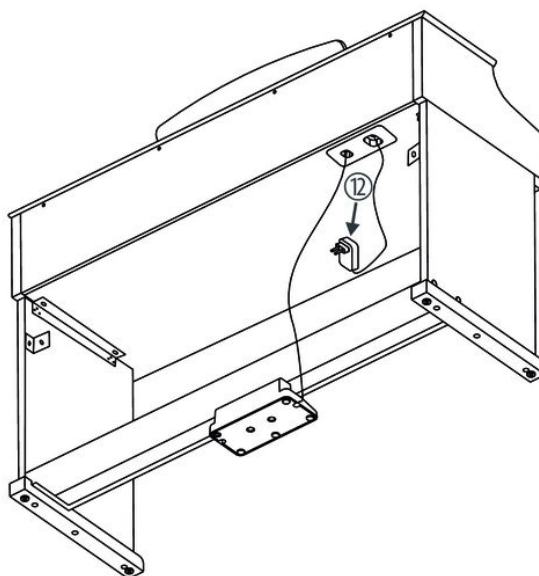
Then turn the levelling screw on the bottom of the pedal box as far out that the pedal box is thus supported evenly over the entire length on the ground.



4. ➤ Slide in the rear cover before the small angle pieces and attach the rear cover with two Phillips screws M4 × 12 and washer. Now affix the rear cover with four Phillips screws ST3 9 × 16 and washer to the pedal box.

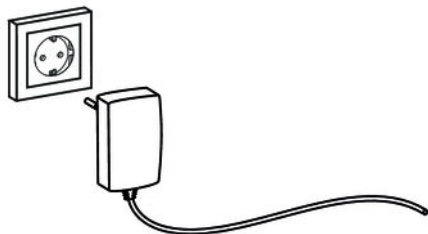


- 5.** Place the digital piano case on the frame and secure it with four Phillips screws M6 × 16.



- 6.** Fasten the cables to the stand. Insert the DIN plug of the pedal cable into the provided socket on the bottom side of the digital piano. Move the digital piano to its designated location.

Mains connection

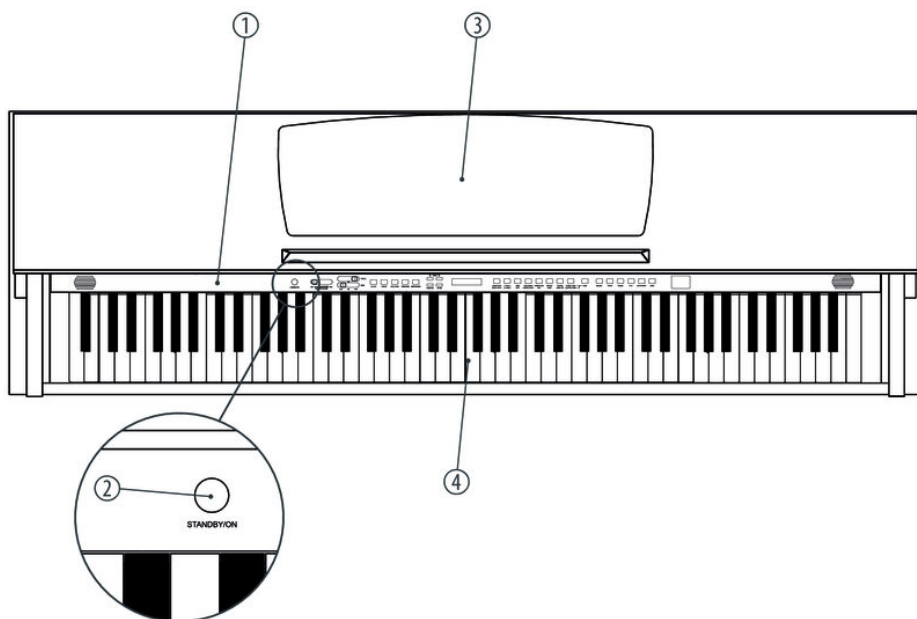


1. ➤ Make sure that the device is turned off before you connect it to the power supply or disconnect it.
2. ➤ Slide the volume control to minimum.
3. ➤ Connect the included power adapter to the 12V connector of the unit and then plug the power adapter into a wall outlet.
4. ➤ Now you can turn on the device.



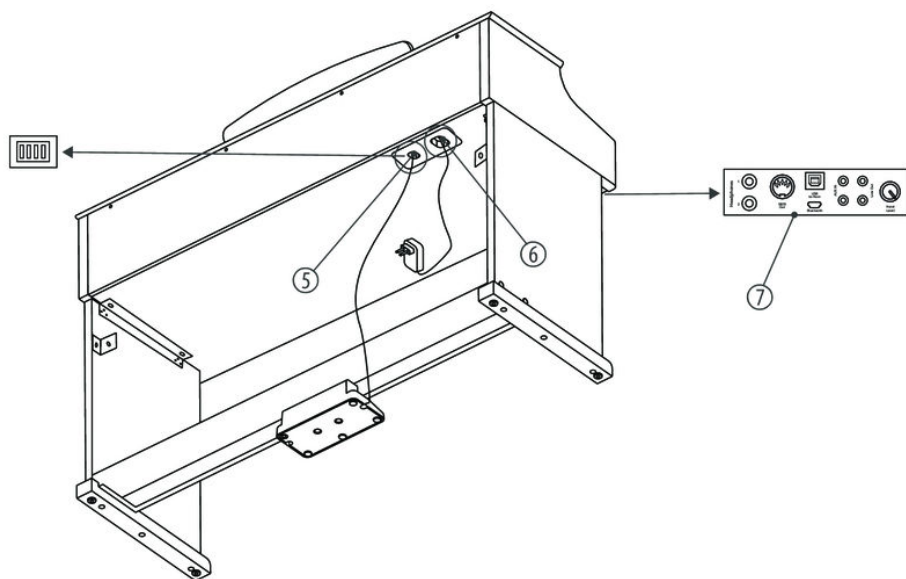
If the piano is not in use or when a thunderstorm with danger of lightning threatens, disconnect the device from its mains power for safety.

Assembly overview



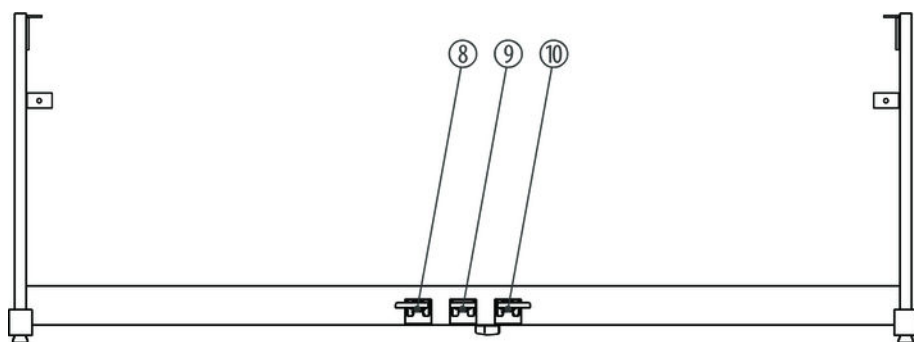
Top view

1	Operating panel
2	Main switch
3	Music stand
4	Claviature



Rear panel

5	Connection for pedal cable
6	Power cord
7	Connection box

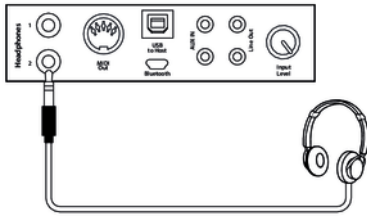


Pedals

8	Soft pedal
9	Sostenuto pedal
10	Sustain pedal

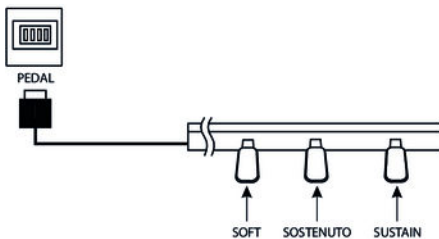
5 Connectivity options

Headphones



On the connection box you find the headphones outlets 1 and 2. Connecting headphones (not supplied) to outlet 2 mutes the speakers. Using outlet 1 maintains the sound output through the speakers.

Pedals



Connect the foot pedal to the provided connector on the bottom of the pedal box. Pedal functions:

Soft pedal

Using the Soft pedal makes the piano sound smoother and the overall volume is attenuated.

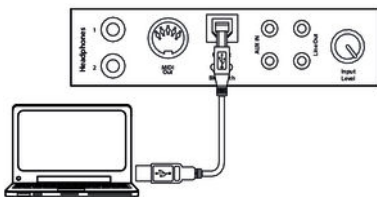
Sostenuto pedal

When stepping on the Sostenuto pedal, the currently played notes linger until you release the pedal.

Sustain pedal

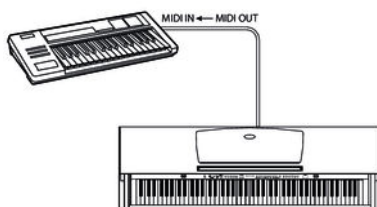
With the sustain pedal all played notes sound longer. This effect simulates the lifting of the damper in an analogue keyboard instrument.

Computer



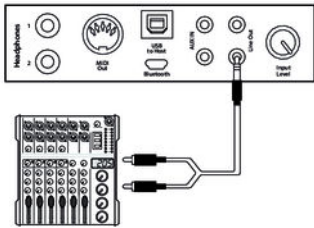
The USB port provides data exchange with a computer.

MIDI port



MIDI stands for 'Musical Instrument Digital Interface' and represents a global standard for the communication of numerous electronic instruments and sound modules. MIDI data generated by the digital piano is sent to other MIDI devices through this port.

External audio devices



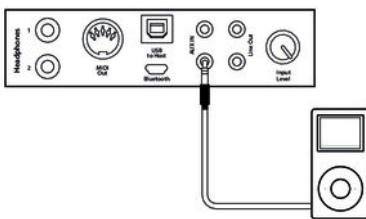
Use the *[LINE OUT]* sockets to connect the digital piano to an amplifier, stereo device, mixing console or recording device. Plug one end of the audio cable into the *[LINE OUT]* sockets in the connection box of the digital piano and the other end into the input of the respective audio device.



NOTICE!

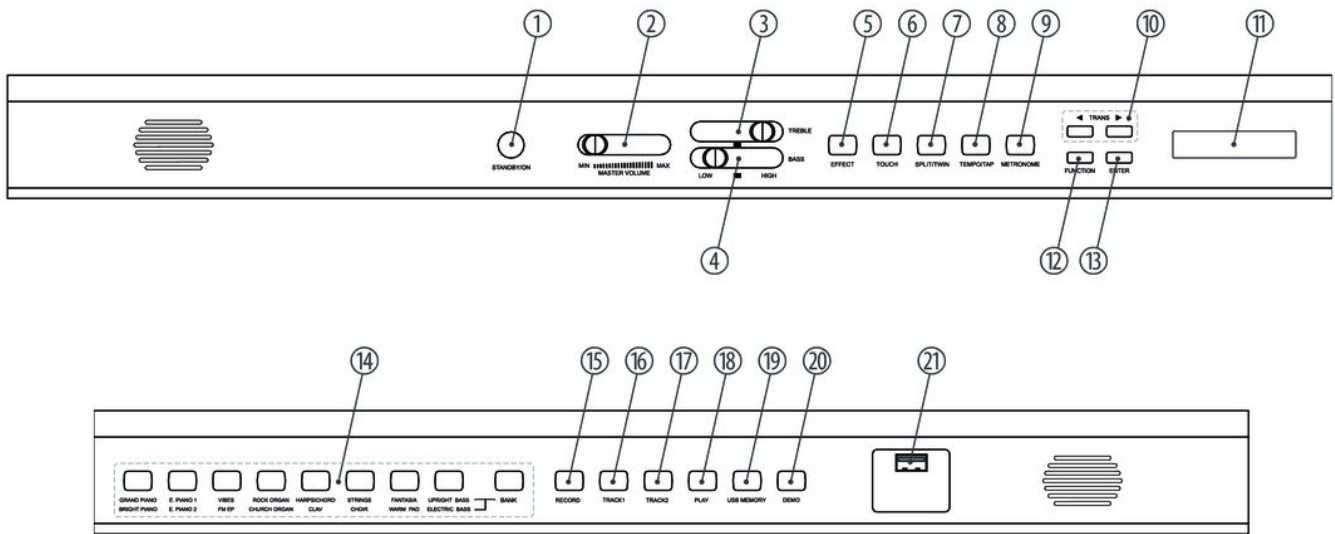
To prevent damage to the speakers, turn the volume down to 'Minimum' before you connect other devices to the digital piano.

MP3 / CD player



Use the *[AUX IN]* sockets to connect a, for example, a CD or MP3 player to the digital piano. So you can playback music through the internal speakers of the digital piano and simultaneously play along to it. Plug one end of the audio cable into the *[AUX IN]* sockets in the connection box of the digital piano and the other end into the output of the respective audio device.

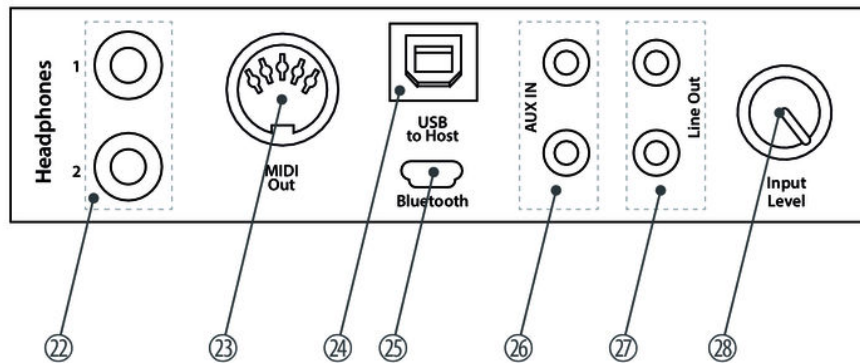
6 Control panel and connections



- | | |
|---|--|
| 1 | [STANDBY / ON]
Main switch. Turns the device on and off. |
| 2 | [MASTER VOLUME]
Volume control for the built-in speakers and headphone outputs. |
| 3 | [TREBLE]
Control to adjust the high frequencies. |
| 4 | [BASS]
Control to adjust the low frequencies. |
| 5 | [EFFECT]
Button to engage Chorus / Reverb effects. |
| 6 | [TOUCH]
Key to adjust the touch sensitivity. |
| 7 | [SPLIT / TWIN]
Button to activate the Split / Twin mode. |
| 8 | [TEMPO / TAP]
Button to set the playback speed (along with the arrow buttons [TRANS]). |
| 9 | [METRONOME]
Button to turn the metronome on and off. |

10	<i>[TRANS]</i> Keys to increase or decrease the currently displayed value.
11	Display.
12	<i>[FUNCTION]</i> Button to call the function menu.
13	<i>[ENTER]</i> Button to confirm changes and input values as well as to open the various submenus.
14	Buttons to select a timbre: <ul style="list-style-type: none">■ <i>[GRAND PIANO]</i> <i>[BRIGHT PIANO]</i>■ <i>[E. PIANO 1]</i> <i>[E. PIANO 2]</i>■ <i>[VIBES]</i> <i>[FM EP]</i>■ <i>[ROCK ORGAN]</i> <i>[CHURCH ORGAN]</i>■ <i>[HARPSICHORD]</i> <i>[CLAV]</i>■ <i>[STRINGS]</i> <i>[CHOIR]</i>■ <i>[FANTASIA]</i> <i>[WARM PAD]</i>■ <i>[UPRIGHT BASS]</i> <i>[ELECTRIC BASS]</i> Use <i>[BANK]</i> to switch between both memory banks.
15	<i>[RECORD]</i> Button to activate the Recording mode.
16	<i>[TRACK 1]</i> Button to select the record track 1.
17	<i>[TRACK 2]</i> Button to select the record track 2.
18	<i>[PLAY]</i> Playback button.
19	<i>[USB MEMORY]</i> Button to activate the USB mode.
20	<i>[DEMO]</i> Button to activate the Demo mode.
21	<i>[USB TO DEVICE]</i> USB port.

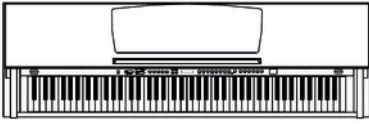
Connection box



22	<i>[HEADPHONES]</i> Output sockets to connect headphones (1/4" phone sockets).
23	<i>[MIDI OUT]</i> MIDI out for connecting a MIDI device.
24	<i>[USB]</i> USB interface to connect a computer.
25	<i>[BLUETOOTH]</i> Interface to connect a Bluetooth device.
26	<i>[AUX IN]</i> Input sockets for connecting an audio device (e.g. MP3 or CD player).
27	<i>[LINE OUT]</i> Output sockets for connecting the digital piano to an amplifier, stereo system, mixer or recording device.
28	<i>[INPUT LEVEL]</i> Control to adjust the input sensitivity.

7 Operating

7.1 Turning on / off



Press the [STANDBY/ON] main switch to the left on the operating panel to turn the device on and off.



If the display does not light up after switching on the digital piano, check the power supply.

If you hear nothing coming from the speakers, the volume may be set to 'minimum'.

7.2 Automatic shutoff

When the digital piano is not being used for 30 minutes, it switches off automatically. To turn it on again, press [STANDBY/ON].

Deactivate the automatic shutoff function

To deactivate the automatic shutoff function, keep pressed the first white key at the left side of the keyboard while turning the device on. As soon as the display shows 'Sleep Mode OFF', the function is disabled.

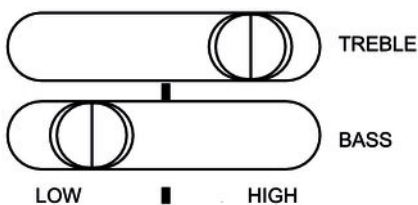
By default, the automatic shutoff function is activated when turning the device on.

7.3 Adjusting the volume



Adjust the volume control [MASTER VOLUME] for a pleasant volume for playback and practising. Slide the control to the right to increase the volume. Slide it to the left to decrease the volume.

7.4 Setting the tone



Use the tone controls [TREBLE] and [BASS] to set the overall sound of the digital piano to your liking.

7.5 Setting the touch sensitivity

With this function you can adjust the touch response of the keyboard at three levels.

1. ➤ Press *[TOUCH]* to activate the function.
 - ⇒ The LED of the button lights.
2. ➤ Press *[TOUCH]* again to open the menu for adjusting the touch sensitivity.
 - ⇒ The display shows the current setting (see the following table).
3. ➤ Use the arrow buttons *[TRANS]* to select the desired setting.

Setting	Description
'Touch: Soft'	Soft In this setting, the volume is lower than usual even when playing with a hard touch.
'Touch: Normal'	Normal This setting corresponds to the usual touch response of a keyboard (factory default setting).
'Touch: Hard'	Hard In this setting, the volume is higher than usual even when playing with a soft touch.

Alternatively, you can adjust the responsiveness of the keyboard as a value.

1. ➤ Press *[TOUCH]* to deactivate the function.
 - ⇒ The LED of the button goes out. The display shows the standard value 'FixTouch: 100'.
2. ➤ Use the arrow buttons *[TRANS]* to set the desired value in the range of 0 ... 127.

7.6 Setting up the digital piano, Function menu

In the function menu, various parameters of the digital piano can be customized.

Press *[FUNCTION]* to enter the menu. Press *[FUNCTION]* repeatedly to select the various menu items one by one (see the following table). Confirm each with *[ENTER]* and use the arrow buttons *[TRANS]* to set the desired value.

Function	Display	Range	Standard
Fine tuning	Tune	-64 ... 63	00
PAN effect first voice	Main.Pan?	-64 ... 63	00
PAN effect second voice, Split mode	Split.Pan?	-64 ... 63	00

Function	Display	Range	Standard
PAN effect second voice, Dual mode	Dual.Pan?	-64 ... 63	00
Volume first voice	M.Volume?	0 ... 127	100
Volume second voice, Split mode	S.Volume?	0 ... 127	100
Volume second voice, Dual mode	D.Volume?	0 ... 127	55
Octaving first voice	Main.Oct?	-2 ... 2	000
Octaving second voice, Split mode	Split.Oct?	-2 ... 2	000
Octaving second voice, Dual mode	Dual.Oct?	-2 ... 2	000
Arpeggio mode	Arpeggio	01, 02, OFF	OFF
Activating MIDI reception	MIDI In	ON/OFF	ON
Activating MIDI out	MIDI Out	01 ... 16, OFF	ON
Activating sound system	Local	ON/OFF	ON
Reverb effect	Rev.Type?	Hall1, Hall2, Room1, Room2, Room3, Stage1, Stage2, Plate, Delay, Echo, Rev Off	Hall1
Reverb effect ratio first voice	M.RevVol?	0 ... 127	15
Reverb effect ratio second voice, Split mode	S.RevVol?	0 ... 127	15
Reverb effect ratio second voice, Dual mode	D.RevVol?	0 ... 127	15
Chorus effect	Chr.Type?	Chorus1, Chorus2, Chorus3, Chorus4, Feedback, Flanger1, ShrtDely, ShrtDIFb, Flanger2, Flanger3, Celeste1, Celeste2, Celeste3, Chors Off	Off
Chorus effect ratio first voice	M.ChrVol?	0 ... 127	32
Chorus effect ratio second voice, Split mode	S.ChrVol?	0 ... 127	32
Chorus effect ratio second voice, Dual mode	D.ChrVol?	0 ... 127	32
Function pedal 1	Pedal 1?	Pd1-Null, Pd1-Soft, Pd1-sost, Pd1-Tap, Pd1-MemoryUp, Pd1-Play	Pd1-Soft
Function pedal 2	Pedal 2?	Pd2-Null, Pd2-Soft, Pd2-sost, Pd2-Tap, Pd2-MemoryUp, Pd2-Play	Pd2-sost
Track muting	Filter Track?	01 ... 16	
Selecting first voice	M.RecTrk?	01 ... 16, OFF	01
Selecting second voice, Split mode	S.RecTrk?	01 ... 16, OFF	02
Selecting second voice, Dual mode	D.RecTrk?	01 ... 16, OFF	03
USB speed	USBSpeed?	50 ... 200	100

Function	Display	Range	Standard
Play mode	PlayMode?	Single, Chain, Random	Single
Selecting memory bank	Mem.Bank?	Reg.Bank:01 ... Reg.Bank:04	
Saving settings	Reg.SaveMem?	Reg.SaveMem : 01 ... Reg.SaveMem : 06	
Loading saved settings	Reg.LoadMem?	Reg.LoadMem : 01 ... Reg.LoadMem : 06	
Activating Bluetooth interface	BlueTooth?	ON/OFF	ON
Automatic shutoff	Auto Power Off?	SLEEPMODE:20Min/30Min/40Min/50Min/ 30Min/40Min/50Min/60Min/OFF	30Min
Reset to factory defaults	Resetmem?		



If you don't press any key within five seconds after entering the function menu, the menu is automatically closed.

7.6.1 Fine tuning

With this function you can fine tune the entire claviature in cent steps.

1. ➤ Use [FUNCTION] to open the functions menu. Use the arrow buttons [TRANS] to proceed to submenu 'Performance?'.
2. ➤ Confirm with [ENTER] and use the arrow buttons [TRANS] to mark the item 'Tune?'.
3. ➤ Use both arrow buttons [TRANS] to adapt the setpoint in a range from – 64 ... 63.
4. ➤ Press both arrow buttons [TRANS] simultaneously to reset the value to the preset 'Tune: 00' .

7.6.2 PAN effect first voice

With this function you can adjust the PAN effect of the first voice.

1. ➤ Use [FUNCTION] to open the functions menu. Use the arrow buttons [TRANS] to proceed to submenu 'Performance?'.
2. ➤ Confirm with [ENTER] and use the arrow buttons [TRANS] to mark the item 'Main.Pan?'.
3. ➤ Use both arrow buttons [TRANS] to adapt the setpoint in a range from – 64 ... 63.
4. ➤ Press both arrow buttons [TRANS] simultaneously to reset the value to the preset 'Main.Pan: 00' .

7.6.3 PAN effect second voice, Split mode

With this function you can adjust the PAN effect of the second voice in Split mode.

1. Use [FUNCTION] to open the functions menu. Use the arrow buttons [TRANS] to proceed to submenu 'Performance?'.
▶
2. Confirm with [ENTER] and use the arrow buttons [TRANS] to mark the item 'Split.Pan?'.
▶
3. Use both arrow buttons [TRANS] to adapt the setpoint in a range from – 64 ... 63.
▶
4. Press both arrow buttons [TRANS] simultaneously to reset the value to the preset 'Split.Pan: 00'.
▶

7.6.4 PAN effect second voice, Dual mode

With this function you can adjust the PAN effect of the second voice in Dual mode.

1. Use [FUNCTION] to open the functions menu. Use the arrow buttons [TRANS] to proceed to submenu 'Performance?'.
▶
2. Confirm with [ENTER] and use the arrow buttons [TRANS] to mark the item 'Dual.Pan?'.
▶
3. Use both arrow buttons [TRANS] to adapt the setpoint in a range from – 64 ... 63.
▶
4. Press both arrow buttons [TRANS] simultaneously to reset the value to the preset 'Dual.Pan: 00'.
▶

7.6.5 Volume first voice

With this function you can adjust the volume of the first voice.

1. Use [FUNCTION] to open the functions menu. Use the arrow buttons [TRANS] to proceed to submenu 'Performance?'.
▶
2. Confirm with [ENTER] and use the arrow buttons [TRANS] to mark the item 'M.Volume?'.
▶
3. Use both arrow buttons [TRANS] to adapt the setpoint in a range from 0 ... 127.
▶
4. Press both arrow buttons [TRANS] simultaneously to reset the value to the preset 'M.Volume: 100'.
▶

7.6.6 Volume second voice, Split mode

With this function you can adjust the volume of the second voice in Split mode.

1. Use [FUNCTION] to open the functions menu. Use the arrow buttons [TRANS] to proceed to submenu 'Performance?'.
▶
2. Confirm with [ENTER] and use the arrow buttons [TRANS] to mark the item 'S.Volume?'.
▶
3. Use both arrow buttons [TRANS] to adapt the setpoint in a range from 0 ... 127.
▶
4. Press both arrow buttons [TRANS] simultaneously to reset the value to the preset 'S.Volume: 100' .
▶

7.6.7 Volume second voice, Dual mode

With this function you can adjust the volume of the second voice in Dual mode.

1. Use [FUNCTION] to open the functions menu. Use the arrow buttons [TRANS] to proceed to submenu 'Performance?'.
▶
2. Confirm with [ENTER] and use the arrow buttons [TRANS] to mark the item 'D.Volume?'.
▶
3. Use both arrow buttons [TRANS] to adapt the setpoint in a range from 0 ... 127.
▶
4. Press both arrow buttons [TRANS] simultaneously to reset the value to the preset 'D.Volume: 55' .
▶

7.6.8 Octaving first voice

This function allows you to shift the first voice by up to two octaves up or down.

1. Use [FUNCTION] to open the functions menu. Use the arrow buttons [TRANS] to proceed to submenu 'Performance?'.
▶
2. Confirm with [ENTER] and use the arrow buttons [TRANS] to mark the item 'Main.Oct?'.
▶
3. Use both arrow buttons [TRANS] to shift the octave in a range from -2 ... 2.
▶
4. Press both arrow buttons [TRANS] simultaneously to reset the value to the preset 'Main.Oct: 00' .
▶

7.6.9 Octaving second voice, Split mode

This function allows you to shift the second voice in Split mode by up to two octaves up or down.

1. Use *[FUNCTION]* to open the functions menu. Use the arrow buttons *[TRANS]* to proceed to submenu *'Performance?'*.
2. Confirm with *[ENTER]* and use the arrow buttons *[TRANS]* to mark the item *'SplitOct?'*.
3. Use both arrow buttons *[TRANS]* to shift the octave in a range from $-2 \dots 2$.
4. Press both arrow buttons *[TRANS]* simultaneously to reset the value to the preset *'SplitOct: 00'*.

7.6.10 Octaving second voice, Dual mode

This function allows you to shift the second voice in Dual mode by up to two octaves up or down.

1. Use *[FUNCTION]* to open the functions menu. Use the arrow buttons *[TRANS]* to proceed to submenu *'Performance?'*.
2. Confirm with *[ENTER]* and use the arrow buttons *[TRANS]* to mark the item *'DualOct?'*.
3. Use both arrow buttons *[TRANS]* to shift the octave in a range from $-2 \dots 2$.
4. Press both arrow buttons *[TRANS]* simultaneously to reset the value to the preset *'DualOct: 00'*.

7.6.11 Arpeggio mode

With this function you can activate the Arpeggio mode.

1. Use *[FUNCTION]* to open the functions menu. Use the arrow buttons *[TRANS]* to proceed to submenu *'Performance?'*.
2. Confirm with *[ENTER]* and use the arrow buttons *[TRANS]* to mark the item *'Arpeggio?'*.
3. Use both arrow buttons *[TRANS]* to select one of the following options:
 - *'01'* – with this selection, when playing a piano key the notes assigned to this tone resound in Arpeggio (root position).
 - *'02'* – with this selection, when playing a piano key the notes assigned to this tone resound in Arpeggio (inversion).
 - *'OFF'* – Arpeggio mode off.
4. Press both arrow buttons *[TRANS]* simultaneously to reset the value to the preset *'Arpeggio: OFF'*.

7.6.12 Activating MIDI reception

With this function you can activate the MIDI reception of the digital piano.

1. ➤ Use [FUNCTION] to open the functions menu. Use the arrow buttons [TRANS] to proceed to submenu 'Performance?'.
2. ➤ Confirm with [ENTER] and use the arrow buttons [TRANS] to mark the item 'Midi In?'.
3. ➤ Use both arrow buttons [TRANS] to select one of the following options:
 - 'Midi In: ON' – MIDI input activated.
 - 'Midi In: OFF' – MIDI input deactivated.

7.6.13 Activating MIDI out

With this function you can activate the MIDI output of the digital piano.

1. ➤ Use [FUNCTION] to open the functions menu. Use the arrow buttons [TRANS] to proceed to submenu 'Performance?'.
2. ➤ Confirm with [ENTER] and use the arrow buttons [TRANS] to mark the item 'Midi Out?'.
3. ➤ Use both arrow buttons [TRANS] to select one of the following options:
 - 'Midi Out: 01' ... '16' – MIDI output activated.
 - 'Midi Out: OFF' – MIDI output deactivated.

7.6.14 Activating sound system

With this function you can activate the built-in sound system of the digital piano.

1. ➤ Use [FUNCTION] to open the functions menu. Use the arrow buttons [TRANS] to proceed to submenu 'Performance?'.
2. ➤ Confirm with [ENTER] and use the arrow buttons [TRANS] to mark the item 'Local?'.
3. ➤ Use both arrow buttons [TRANS] to select one of the following options:
 - 'Local: ON' – built-in sound system activated.
 - 'Local: OFF' – built-in sound system deactivated.



When switching off the built-in sound system, the speakers and the line and headphone outputs are switched off.

7.6.15 Reverb effect

With this function you can turn on the Reverb effect and select the effect type.

1. ➤ Use *[FUNCTION]* to open the functions menu. Use the arrow buttons *[TRANS]* to proceed to submenu *'Effect?'*.
2. ➤ Confirm with *[ENTER]* and use the arrow buttons *[TRANS]* to mark the item *'Rev.Type?'*.
3. ➤ Use both arrow buttons *[TRANS]* to select one of the following options:
 - *'Hall1'*
 - *'Hall2'*
 - *'Room1'*
 - *'Room2'*
 - *'Room3'*
 - *'Stage1'*
 - *'Stage2'*
 - *'Plate'*
 - *'Delay'*
 - *'Echo'*
 - *'Rev Off'*
4. ➤ Press both arrow buttons *[TRANS]* simultaneously to reset the value to the preset *'Hall1'*.

7.6.16 Reverb effect ratio first voice

With this function you can adjust the Reverb effect ratio of the first voice.

1. ➤ Use *[FUNCTION]* to open the functions menu. Use the arrow buttons *[TRANS]* to proceed to submenu *'Effect?'*.
2. ➤ Confirm with *[ENTER]* and use the arrow buttons *[TRANS]* to mark the item *'M.RevVol?'*.
3. ➤ Use both arrow buttons *[TRANS]* to adapt the effect ratio in a range from 0 ... 127.
4. ➤ Press both arrow buttons *[TRANS]* simultaneously to reset the value to the preset *'M.RevVol: 15'*.

7.6.17 Reverb effect ratio second voice, Split mode

With this function you can adjust the Reverb effect ratio of the second voice in Split mode.

1. ➤ Use *[FUNCTION]* to open the functions menu. Use the arrow buttons *[TRANS]* to proceed to submenu *'Effect?'*.
2. ➤ Confirm with *[ENTER]* and use the arrow buttons *[TRANS]* to mark the item *'S.RevVol?'*.

3. ➤ Use both arrow buttons *[TRANS]* to adapt the effect ratio in a range from 0 ... 127.
4. ➤ Press both arrow buttons *[TRANS]* simultaneously to reset the value to the preset '*S.RevVol: 15*' .

7.6.18 Reverb effect ratio second voice, Dual mode

With this function you can adjust the Reverb effect ratio of the second voice in Dual mode.

1. ➤ Use *[FUNCTION]* to open the functions menu. Use the arrow buttons *[TRANS]* to proceed to submenu '*Effect?*' .
2. ➤ Confirm with *[ENTER]* and use the arrow buttons *[TRANS]* to mark the item '*D.RevVol?*' .
3. ➤ Use both arrow buttons *[TRANS]* to adapt the effect ratio in a range from 0 ... 127.
4. ➤ Press both arrow buttons *[TRANS]* simultaneously to reset the value to the preset '*D.RevVol: 15*' .

7.6.19 Chorus effect

With this function you can turn on the Chorus effect and select the effect type.

1. ➤ Use *[FUNCTION]* to open the functions menu. Use the arrow buttons *[TRANS]* to proceed to submenu '*Effect?*' .
2. ➤ Confirm with *[ENTER]* and use the arrow buttons *[TRANS]* to mark the item '*Chr.Type?*' .
3. ➤ Use both arrow buttons *[TRANS]* to select one of the following options:
 - '*Chorus1*'
 - '*Chorus2*'
 - '*Chorus3*'
 - '*Chorus4*'
 - '*Feedback*'
 - '*Flanger1*'
 - '*ShrtDely*'
 - '*ShrtDIFb*'
 - '*Flanger2*'
 - '*Flanger3*'
 - '*Celeste1*'
 - '*Celeste2*'
 - '*Celeste3*'
 - '*Chors Off*'
4. ➤ Press both arrow buttons *[TRANS]* simultaneously to reset the value to the preset '*Chorus1*' .

7.6.20 Chorus effect ratio first voice

With this function you can adjust the Chorus effect ratio of the first voice.

1. ➤ Use [FUNCTION] to open the functions menu. Use the arrow buttons [TRANS] to proceed to submenu 'Effect?'.
2. ➤ Confirm with [ENTER] and use the arrow buttons [TRANS] to mark the item 'M.ChrVol?'.
3. ➤ Use both arrow buttons [TRANS] to adapt the effect ratio in a range from 0 ... 127.
4. ➤ Press both arrow buttons [TRANS] simultaneously to reset the value to the preset 'M.ChrVol: 15'.

7.6.21 Chorus effect ratio second voice, Split mode

With this function you can adjust the Chorus effect ratio of the second voice in Split mode.

1. ➤ Use [FUNCTION] to open the functions menu. Use the arrow buttons [TRANS] to proceed to submenu 'Effect?'.
2. ➤ Confirm with [ENTER] and use the arrow buttons [TRANS] to mark the item 'S.ChrVol?'.
3. ➤ Use both arrow buttons [TRANS] to adapt the effect ratio in a range from 0 ... 127.
4. ➤ Press both arrow buttons [TRANS] simultaneously to reset the value to the preset 'S.ChrVol: 15'.

7.6.22 Chorus effect ratio second voice, Dual mode

With this function you can adjust the Chorus effect ratio of the second voice in Dual mode.

1. ➤ Use [FUNCTION] to open the functions menu. Use the arrow buttons [TRANS] to proceed to submenu 'Effect?'.
2. ➤ Confirm with [ENTER] and use the arrow buttons [TRANS] to mark the item 'D.ChrVol?'.
3. ➤ Use both arrow buttons [TRANS] to adapt the effect ratio in a range from 0 ... 127.
4. ➤ Press both arrow buttons [TRANS] simultaneously to reset the value to the preset 'D.ChrVol: 15'.

7.6.23 Function pedal 1

With this function you can assign a desired function to pedal 1.

1. ➤ Use *[FUNCTION]* to open the functions menu. Use the arrow buttons *[TRANS]* to proceed to submenu 'Pedal assign?'.
2. ➤ Confirm with *[ENTER]* and use the arrow buttons *[TRANS]* to mark the item 'Pedal 1?'.
3. ➤ Use both arrow buttons *[TRANS]* to select one of the following options:
 - 'Pd1-Null' – no function.
 - 'Pd1-Soft' – Soft pedal, makes the piano sound softer and attenuates the overall volume.
 - 'Pd1-sost' – Sostenuato pedal, the currently played notes linger until you release the pedal.
 - 'Pd1-Tap' – TAP/TEMPO function, press the pedal twice in succession to set the metronome tempo.
 - 'Pd1-MemoryUp' – Memory function, press the pedal to save the set values as a preset in the internal memory.
 - 'Pd1-Play' – Playback function, press the pedal to play MIDI / USB files.

7.6.24 Function pedal 2

With this function you can assign a desired function to pedal 2.

1. ➤ Use *[FUNCTION]* to open the functions menu. Use the arrow buttons *[TRANS]* to proceed to submenu 'Pedal assign?'.
2. ➤ Confirm with *[ENTER]* and use the arrow buttons *[TRANS]* to mark the item 'Pedal 2?'.
3. ➤ Use both arrow buttons *[TRANS]* to select one of the following options:
 - 'Pd2-Null' – no function.
 - 'Pd2-Soft' – Soft pedal, makes the piano sound softer and attenuates the overall volume.
 - 'Pd2-sost' – Sostenuato pedal, the currently played notes linger until you release the pedal.
 - 'Pd2-Tap' – TAP/TEMPO function, press the pedal twice in succession to set the metronome tempo.
 - 'Pd2-MemoryUp' – Memory function, press the pedal to save the set values as a preset in the internal memory.
 - 'Pd2-Play' – Playback function, press the pedal to play MIDI / USB files.

7.6.25 Track muting

With this function you can mute one of the tracks of a song.

1. Use *[FUNCTION]* to open the functions menu. Use the arrow buttons *[TRANS]* to proceed to submenu 'Usb Function?'.
2. Confirm with *[ENTER]* and use the arrow buttons *[TRANS]* to mark the item 'FilterTrk?'.
3. Use the two arrow buttons *[TRANS]* to select the track that you want to mute (01 ... 16).
4. Use the arrow buttons *[TRANS]* to select the option 'FilterTrk: ON' and confirm with *[ENTER]*.
5. Use the arrow buttons *[TRANS]* to select the option 'FilterTrk: OFF' and confirm with *[ENTER]* to unmute the track.

7.6.26 Selecting first voice

This function allows you to assign the main voice (first voice) for recordings on a USB storage device.

1. Use *[FUNCTION]* to open the functions menu. Use the arrow buttons *[TRANS]* to proceed to submenu 'Usb Function?'.
2. Confirm with *[ENTER]* and use the arrow buttons *[TRANS]* to mark the item 'M.RecTrk?'.
3. Use the two arrow buttons *[TRANS]* to select a Track 01 ... 16 or the option 'M.RecTrk: OFF' and confirm with *[ENTER]*.
4. Press both arrow buttons *[TRANS]* simultaneously to load the preset 'M.RecTrk: 01'.

7.6.27 Selecting second voice, Split mode

With this function you can assign the second voice for the Split mode.

1. Use *[FUNCTION]* to open the functions menu. Use the arrow buttons *[TRANS]* to proceed to submenu 'Usb Function?'.
2. Confirm with *[ENTER]* and use the arrow buttons *[TRANS]* to mark the item 'S.RecTrk?'.
3. Use the two arrow buttons *[TRANS]* to select a Track 01 ... 16 or the option 'S.RecTrk: OFF' and confirm with *[ENTER]*.
4. Press both arrow buttons *[TRANS]* simultaneously to load the preset 'S.RecTrk: 02'.

7.6.28 Selecting second voice, Dual mode

With this function you can assign the second voice for the Dual mode.

1. ➤ Use [FUNCTION] to open the functions menu. Use the arrow buttons [TRANS] to proceed to submenu 'Usb Function?'.
2. ➤ Confirm with [ENTER] and use the arrow buttons [TRANS] to mark the item 'D.RecTrk?'.
3. ➤ Use the two arrow buttons [TRANS] to select a Track 01 ... 16 or the option 'D.RecTrk: OFF' and confirm with [ENTER].
4. ➤ Press both arrow buttons [TRANS] simultaneously to load the preset 'D.RecTrk: 03' .

7.6.29 USB speed

With this function you can set the USB speed.

1. ➤ Use [FUNCTION] to open the functions menu. Use the arrow buttons [TRANS] to proceed to submenu 'Usb Function?'.
2. ➤ Confirm with [ENTER] and use the arrow buttons [TRANS] to mark the item 'USBspeed?'.
3. ➤ Use both arrow buttons [TRANS] to set the USB speed in a range of 50 ... 200 and confirm with [ENTER].
4. ➤ Press both arrow buttons [TRANS] simultaneously to reset the value to the preset '100' .

7.6.30 Play mode

With this function you can determine the playback mode for the available songs.

1. ➤ Use [FUNCTION] to open the functions menu. Use the arrow buttons [TRANS] to proceed to submenu 'Usb Function?'.
2. ➤ Confirm with [ENTER] and use the arrow buttons [TRANS] to mark the item 'PlayMode?'.
3. ➤ Use both arrow buttons [TRANS] to select one of the following options:
 - 'Single' – one selected song is played once.
 - 'Chain' – all songs are played in a loop sequence.
 - 'Random' – all songs are played in random order.

7.6.31 Selecting memory bank

With this function you can select the desired memory bank.

1. Use *[FUNCTION]* to open the functions menu. Use the arrow buttons *[TRANS]* to proceed to submenu *'Memory?'*.
2. Confirm with *[ENTER]*. Use the arrow buttons *[TRANS]* to proceed to submenu *'Reg.Bank?'*.
3. Confirm with *[ENTER]* and use the arrow buttons *[TRANS]* to mark one of the available memory banks 01 ... 04.
4. Press both arrow buttons *[TRANS]* simultaneously to reset the value to the preset *'Reg.Bank: 01'*.

7.6.32 Saving settings

With this function you can store the current device settings as a preset.

1. Use *[FUNCTION]* to open the functions menu. Use the arrow buttons *[TRANS]* to proceed to submenu *'Memory?'*.
2. Confirm with *[ENTER]*. Use the arrow buttons *[TRANS]* to proceed to submenu *'Reg.SaveMem?'*.
3. Confirm with *[ENTER]* and use the arrow buttons *[TRANS]* to assign the desired memory location 01 ... 06.
4. Press both arrow buttons *[TRANS]* simultaneously to reset the value to the preset *'Reg.SaveMem: 01'*.

7.6.33 Loading saved settings

This feature allows you to reload saved settings.

1. Use *[FUNCTION]* to open the functions menu. Use the arrow buttons *[TRANS]* to proceed to submenu *'Memory?'*.
2. Confirm with *[ENTER]*. Use the arrow buttons *[TRANS]* to proceed to submenu *'Reg.LoadMem?'*.
3. Confirm with *[ENTER]* and use the arrow buttons *[TRANS]* to select the memory location 01 ... 06 to be accessed by the digital piano.
4. Press both arrow buttons *[TRANS]* simultaneously to reset the value to the preset *'Reg.LoadMem: 01'*.

7.6.34 Activating Bluetooth interface

With this function you can activate the Bluetooth interface of the digital piano. To use the Bluetooth function of the digital piano, you need the supplied Bluetooth stick.

1. ➤ Use *[FUNCTION]* to open the functions menu. Use the arrow buttons *[TRANS]* to proceed to submenu 'Other Func?'.
2. ➤ Confirm with *[ENTER]* and use the arrow buttons *[TRANS]* to mark the item 'BlueTooth?'.
3. ➤ Use both arrow buttons *[TRANS]* to select one of the following options:
 - 'BlueTooth ON' – Bluetooth interface activated.
 - 'BlueTooth OFF' – Bluetooth interface deactivated.

7.6.35 Automatic shutoff

If the digital piano is not in use, it shuts off after 30 minutes automatically. For adjusting or disabling the automatic shutdown, please proceed as follows:

1. ➤ Open the function menu with *[FUNCTION]* and use the arrow buttons *[TRANS]* to select the settings parameter 'Other Func?'.
2. ➤ Confirm with *[ENTER]*. The display shows 'Auto Power off'. Use both arrow buttons *[TRANS]* to select one of the following options:
 - 'Sleepmode: 20Min' (automatic shutoff after 20 minutes)
 - 'Sleepmode: 30Min' (automatic shutoff after 30 minutes)
 - 'Sleepmode: 40Min' (automatic shutoff after 40 minutes)
 - 'Sleepmode: 50Min' (automatic shutoff after 50 minutes)
 - 'Sleepmode: 60Min' (automatic shutoff after 60 minutes)
 - 'Sleepmode: OFF' (no automatic shutoff).

Alternatively, you can disable the shutoff function by simultaneously pressing the power switch *[STANDBY/ON]* and the first black piano key (from left).

3. ➤ Simultaneously press the two arrow buttons *[TRANS]* to activate the default setting (automatic shutoff after 30 minutes).

To turn the digital piano back on after an automatic shutoff press the main switch *[STANDBY/ON]* again.

7.6.36 Reset to factory defaults

Proceed as follows to restore the factory default settings:

- 1.** ➤ Confirm with *[ENTER]* and use the arrow buttons *[TRANS]* to mark the item 'Resetmem?'.
Resetmem?
- 2.** ➤ Confirm with *[ENTER]* to reset all parameters of the digital piano to the factory default settings.
 - ⇒ All settings are reset or deleted without further confirmation prompt. The display shows 'Resetmem!'.

You can also keep both arrow buttons *[TRANS]* pressed when switching the digital piano on to restore the factory default settings. All settings are reset or deleted without further confirmation prompt. The display shows 'Resetmem!'.

8 Functions

8.1 Playing demo songs

16 demo songs are stored in the memory of the digital piano. Press *[DEMO]* to enter the DEMO mode. The first demo song is shown and played. During playback, you can use the arrow buttons *[TRANS]* to switch between the demo songs at will.

Press *[DEMO]* again to stop playback.

8.2 Reverb and Chorus effects

The sound of the digital piano can be influenced by the built-in Reverb and Chorus effect. Press *[EFFECT]* to turn the effect function on and off again.

Specify the effect settings from the control menu, see ↪ *Chapter 7 'Operating' on page 20*.

8.3 Selecting timbre

16 timbres that can be assigned to the keyboard are stored in the memory of the digital piano. Press the associated one-touch key to activate the desired timbre, see ↪ *Chapter 6 'Control panel and connections' on page 17*.

Use *[BANK]* to toggle between the upper (button LED off) and lower timbre (button LED on) of a one-touch key.

8.4 Split mode

In Split mode, different voices can be assigned to certain areas of the keyboard (to specify the keyboard split point, see the following section).

1. ➤ Use the one-touch timbre buttons to select the voice you want to assign to the right hand.
2. ➤ Press *[SPLIT/TWIN]* once to activate the Split mode.
⇒ The LED of the button lights.
3. ➤ Press the one-touch key of the timbre that you want to assign as the voice of the left hand.
4. ➤ Adjust the volume of the voices in the functions menu, see ↪ *Chapter 7 'Operating' on page 20*.
5. ➤ Press *[SPLIT/TWIN]* again to deactivate the Split mode.
⇒ The LED of the button goes out.

8.5 Split point setting

Using this function you can select a point to split the whole claviature into two areas.

1. ▶ Press [*SPLIT/TWIN*] once to activate the Split mode.
⇒ The LED of the button lights.
2. ▶ Keep the [*SPLIT/TWIN*] button pressed for two seconds.
3. ▶ Use the arrow buttons [*TRANS*] to specify the desired split point.

8.6 Twin mode

In Twin mode, the keyboard is divided into two areas with the same voice. The area on the right comprises the piano keys C#3 to C7, the area to the left comprises the piano keys A1 to C3.

1. ▶ Press [*SPLIT/TWIN*] twice to activate the Twin mode.
⇒ The LED of the button lights. The display shows 'Twin: ON' selection.
2. ▶ Press [*SPLIT/TWIN*] again to deactivate the Twin mode.
⇒ The LED of the button goes out. The display shows 'Twin: OFF'.

8.7 Tempo / Tap function

This function allows you to adjust the playback speed of the demo songs and to switch between 4/4 and 3/4 time.

1. ▶ Press [*TEMPO/TAP*] to activate the setting mode for playback speed.
2. ▶ Use the arrow buttons [*TRANS*] to set the desired playback speed in the range of 20 ... 280
or
3. ▶ Press [*TEMPO/TAP*] four times in the desired tempo. This tempo is then taken as the playback tempo.
4. ▶ Press both arrow buttons [*TRANS*] simultaneously to reset the value to the preset 'Tem: 120' .

Press [*TEMPO/TAP*] three times run the current demo song in 3/4-time.

8.8 Metronome

Press [*METRONOME*] to turn the Metronome on and off.

Proceed as follows to adjust the time signature:

1. ▶ Keep the *[METRONOME]* button pressed until the display shows the current time signature.
2. ▶ Use both arrow buttons *[TRANS]* to select the desired time signature. 2/2, 1/4, 2/4, 3/4, 4/4, 5/4, 6/4, 3/8, 6/8, 7/8, 9/8, 12/8.
3. ▶ Press both arrow buttons *[TRANS]* simultaneously to reset the value to the preset 'Metrotype: 4/4' .

8.9 Transposing

Use the arrow buttons *[TRANS]* to transpose the entire keyboard by twelve semitones up or down. The display shows the number of transposed semitones ('Trans: -12' ... 'Trans: 12')

8.10 Record, playback, delete

With the digital piano you can record your own songs with a maximum of 16 tracks. At this, you have the option to assign preprogrammed voices to certain tracks during recording.

In USB mode, your recordings are stored on an external USB storage medium and played from there.

In melody mode you have the option to deposit your own recording as a melody track in the device memory.

8.10.1 Recording in USB mode

1. ▶ Connect the external USB storage device to the digital piano.
⇒ The display shows 'Disk in'.
2. ▶ Press *[RECORD]* to activate the recording mode.
⇒ The LED of the button lights. The recording starts when you begin playing.
3. ▶ Press *[RECORD]* again to stop recording.
⇒ The display shows the automatically assigned label in the format 'xx: SONGxx' (File number and continuous recording number), under which the recording is stored.
4. ▶ To record additional tracks, press *[USB MEMORY]* and *[RECORD]* simultaneously.
⇒ The recording starts when you begin playing.
5. ▶ Press *[RECORD]* again to stop recording the new track.

8.10.2 Playing recordings from USB memory

1. ➤ Connect the external USB storage device to the digital piano.
⇒ The display shows 'Disk in'.
2. ➤ Use the two arrow buttons [TRANS] to select the track you want to play.
3. ➤ Press [PLAY] to play the recording.

8.10.3 Deleting recordings from USB memory

1. ➤ Connect the external USB storage device to the digital piano.
⇒ The display shows 'Disk in'.
2. ➤ Use the two arrow buttons [TRANS] to select the track you want to delete.
3. ➤ Press [RECORD] and [PLAY] simultaneously.
⇒ The display shows the confirmation prompt 'Delete?'.
4. ➤ Confirm with [TRANS]▶ or cancel the deleting with ◀[TRANS].

8.10.4 Recording in Melody mode

In Melody mode, two tracks are available for recording.

1. ➤ Press [RECORD] and [TRACK 1] simultaneously for recording to track 1.
⇒ The LEDs of the buttons light up. The display shows 'Rec Track 1'.
2. ➤ The recording starts when you begin playing.
3. ➤ Press [RECORD] again to stop recording.
⇒ The display shows 'Save OK!', the recording is stored.



If track 2 already contains data, the LED of the button [TRACK 2] lights and that track is played as accompaniment track during recording. To mute the already data containing track 2 while recording, press [TRACK 2].

1. ➤ Press [RECORD] and [TRACK 2] simultaneously for recording to track 2.
⇒ The LEDs of the buttons light up. The display shows 'Rec Track 2'.
2. ➤ The recording starts when you begin playing.
3. ➤ Press [RECORD] again to stop recording.
⇒ The display shows 'Save OK!', the recording is stored.



If track 1 already contains data, the LED of the button [TRACK 1] lights and that track is played as accompaniment track during recording. To mute the already data containing track 1 while recording, press [TRACK 1].

8.10.5 Playing melody tracks

1. ➤ Press [PLAY] to play recorded melody tracks.
2. ➤ Use [TRACK 1] and [TRACK 2] to change between track 1 and track 2 at will.

8.10.6 Deleting melody tracks

1. ➤ Keep the button [TRACK 1] ([TRACK 2]) pressed for three seconds.
 - ⇒ The display shows 'Clear Track 1' ('Clear Track 2'). The LED of the button [TRACK 1] ([TRACK 2]) goes out, the recording is deleted.
2. ➤ To delete both tracks at the same time, press both buttons [TRACK 1] and [TRACK 2] simultaneously.

8.11 Copying data to USB memory

1. ➤ Connect the external USB storage device to the digital piano.
 - ⇒ The display shows 'Disk in'.
2. ➤ Keep the [USB MEMORY] button pressed for three seconds.
 - ⇒ The display shows 'Save TCK To USB?'.
3. ➤ Confirm with [TRANS]▶ to copy the file to the external storage device.
 - ⇒ The display shows 'Save OK!'.

8.12 Loading data from USB memory

1. ➤ Connect the external USB storage device to the digital piano.
 - ⇒ The display shows 'Disk in'.
2. ➤ Use the two arrow buttons [TRANS] to select the track you want to delete.
3. ➤ Keep the [USB MEMORY] button pressed for three seconds.
 - ⇒ The display shows 'Load TCK From USB?'.

4. ➤ Confirm with **[TRANS]▶** to load the file from the external storage device into the local memory.
⇒ The display shows 'Load OK!'.

8.13 Device configuration

You can store six configuration files in the memory of the digital piano and recall them any time when needed.

8.13.1 Copying configuration file to USB memory

1. ➤ Select the desired memory bank and specify the remaining memory settings, see ↪ [Chapter 7.6 'Setting up the digital piano, Function menu' on page 21](#).
2. ➤ Connect the external USB storage device to the digital piano.
⇒ The display shows 'Disk in'.
3. ➤ Keep the **[USB MEMORY]** button pressed for three seconds.
⇒ The display shows 'Save REG To USB?'.
4. ➤ Confirm with **[TRANS]▶** to copy the configuration file to the external storage device.
⇒ The display shows 'Save OK!'.

8.13.2 Loading configuration file from USB memory

1. ➤ Connect the external USB storage device to the digital piano.
⇒ The display shows 'Disk in'.
2. ➤ Use the two arrow buttons **[TRANS]** to select the configuration file you want to load.
3. ➤ Keep the **[USB MEMORY]** button pressed for three seconds.
⇒ The display shows 'Load REG To USB?'.
4. ➤ Confirm with **[TRANS]▶** to load the configuration file.
⇒ The display shows 'Load OK!'.

8.13.3 Deleting configuration file from USB memory

1. ➤ Connect the external USB storage device to the digital piano.
⇒ The display shows 'Disk in'.

- 2.** ▶ Use the two arrow buttons *[TRANS]* to select the configuration file you want to delete.
- 3.** ▶ Press *[RECORD]* and *[PLAY]* simultaneously.
⇒ The display shows the confirmation prompt 'Delete?'
- 4.** ▶ Confirm with *[TRANS]▶* or cancel the deleting with *◀[TRANS]*.

9 Troubleshooting

Problem	Possible causes and solutions
You hear a 'pop' sound from the speakers when switching the digital piano on and off.	This is normal. No need to worry.
No sound can be heard when playing the piano.	<p>Make sure that the volume control is set appropriately.</p> <p>Check if headphones are plugged into the headphone output 2. Connecting headphones will mute the speakers of the digital piano.</p> <p>Check in the function menu that the built-in sound system is activated. When activating, the display shows 'Local On'.</p>
Malfunction occurs when using a mobile phone.	Using a mobile phone near the digital piano can cause interference. To prevent this, turn off the mobile phone or use it only at a safe distance.

10 MIDI implementation chart

Function		Sent	Received	Notes
Basic Channel	Default	(*1)	1 – 16	
	Changed	(*1)	1 – 16	
Mode	Default	Mode 3	Mode 3	
	Messages	No	No	
	Altered	**	No	
Note Number		0 – 127	0 – 127	
	True voice	**	0 – 127	
Velocity Note	Note ON	Yes, 9nH, v = 1 – 127	Yes, 9nH, v = 1 – 127	
	Note OFF	Yes, 9nH, v = 0 or 8nH	Yes, 9nH, v = 0 or 8nH	
After Touch	Keys	No	No	
Pitch Bend		No	Yes	
Control Change	0.32	Yes	Yes	Bank Select
	1	No	Yes	Modulation
	5	No	Yes	Portamento Time
	6	Yes	Yes	Data Entry
	7	Yes	Yes	Volume
	10	Yes	Yes	Pan
	11	No	Yes	Expression
	64	Yes	Yes	Sustain Pedal
	65	No	Yes	Portamento ON/OFF
	66	Yes	Yes	Sostenuto Pedal
	67	Yes	Yes	Soft Pedal
	80.81	Yes	Yes	DSP TYPE
	91.93	Yes	Yes	DSP DEPTH
	100.101	Yes	Yes (*2)	RPN LSB, MSB
	120	Yes	Yes	All Sound Off
	121	No	Yes	Reset All Controllers
122	Yes	Yes	Local control	
Program Change		Yes 0 – 127	Yes 0 – 127	

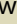
MIDI implementation chart

Function		Sent	Received	Notes
	True	0 – 127	0 – 127	
System Exclusive		No	Yes	
System Common	Song Position Pointer	No	No	
	Song Select	No	No	
	Tune Request	No	No	
Aux Messages	LOCAL ON/OFF	Yes	Yes	
	All Notes Off	Yes	Yes	
	Active Sensing	No	Yes	
	System Reset	No	Yes	
Notes:	*1 Main voice track (1 – 16).Default: 01 Split voice track (1 – 16).Default: 02 Dual voice track (1 – 16).Default: 03 Percussion track (1 – 16).Default: 10 *2 Registered parameter number: #0: Pitch sensitivity #1: Fine tuning cents #2: Coarse tuning in half-tones			

MIDI channel modes

	POLY	MONO
OMNI ON	Mode 1	Mode 2
OMNI OFF	Mode 3	Mode 4

11 Technical specifications

Display	Blue backlit LCD	
Keyboard	88 weighted keys with hammer action and adjustable touch response	
Polyphony	64-voice	
Sound settings	16	
Memory	4 × 6 memory locations for user settings	
Recording tracks	2	
Pedals	Soft, Sostenuto, Sustain	
Connections	Power supply via 12V adapter  , 2 × headphones (1/4"), AUX, USB, MIDI, audio out, audio in, Bluetooth	
Speaker	2 × 20 W, 6 Ω	
Dimensions (W × D × H)	1400 mm × 490 mm × 860 mm	
Weight	54 kg	
Housing colour	Anthracite	Item number 358344
	Tulipwood	Item number 360374

12 Protecting the environment

Disposal of the packaging material



For the transport and protective packaging, environmentally friendly materials have been chosen that can be supplied to normal recycling.

Ensure that plastic bags, packaging, etc. are properly disposed of.

Do not just dispose of these materials with your normal household waste, but make sure that they are collected for recycling. Please follow the notes and markings on the packaging.

Disposal of your old device



This product is subject to the European Waste Electrical and Electronic Equipment Directive (WEEE). Do not dispose with your normal household waste.

Dispose of this device through an approved waste disposal firm or through your local waste facility. When discarding the device, comply with the rules and regulations that apply in your country. If in doubt, consult your local waste disposal facility.

