



  
STAIRVILLE

GP30-W LED,  
GP30-C LED  
gobo projector

Musikhaus Thomann  
Thomann GmbH  
Hans-Thomann-Straße 1  
96138 Burgebrach  
Germany  
Telephone: +49 (0) 9546 9223-0  
E-mail: [info@thomann.de](mailto:info@thomann.de)  
Internet: [www.thomann.de](http://www.thomann.de)

18.11.2019, ID: 400313, 400315 (V2)

# Table of contents

<b>1</b>	<b>General information</b> .....	<b>4</b>
	1.1 Further information.....	5
	1.2 Notational conventions.....	6
	1.3 Symbols and signal words.....	7
<b>2</b>	<b>Safety instructions</b> .....	<b>9</b>
<b>3</b>	<b>Features</b> .....	<b>17</b>
<b>4</b>	<b>Installation</b> .....	<b>18</b>
<b>5</b>	<b>Connections and controls</b> .....	<b>22</b>
<b>6</b>	<b>Maintenance</b> .....	<b>27</b>
<b>7</b>	<b>Technical specifications</b> .....	<b>30</b>
<b>8</b>	<b>Cleaning</b> .....	<b>34</b>
<b>9</b>	<b>Protecting the environment</b> .....	<b>35</b>

# 1 General information

This user manual contains important information on the safe operation of the device. Read and follow all safety notes and all instructions. Save this manual for future reference. Make sure that it is available to all persons using this device. If you sell the device to another user, be sure that they also receive this manual.

Our products and user manuals are subject to a process of continuous development. We therefore reserve the right to make changes without notice. Please refer to the latest version of the user manual which is ready for download under [www.thomann.de](http://www.thomann.de).

## 1.1 Further information

On our website ([www.thomann.de](http://www.thomann.de)) you will find lots of further information and details on the following points:

Download	This manual is also available as PDF file for you to download.
Keyword search	Use the search function in the electronic version to find the topics of interest for you quickly.
Online guides	Our online guides provide detailed information on technical basics and terms.
Personal consultation	For personal consultation please contact our technical hotline.
Service	If you have any problems with the device the customer service will gladly assist you.

## 1.2 Notational conventions

This manual uses the following notational conventions:

### Letterings

The letterings for connectors and controls are marked by square brackets and italics.

**Examples:** *[VOLUME]* control, *[Mono]* button.

### Instructions

The individual steps of an instruction are numbered consecutively. The result of a step is indented and highlighted by an arrow.






**Example:**

- 1.** ▶ Switch on the device.
- 2.** ▶ Press *[Auto]*.
  - ⇒ Automatic operation is started.
- 3.** ▶ Switch off the device.

## 1.3 Symbols and signal words

In this section you will find an overview of the meaning of symbols and signal words that are used in this manual.

Signal word	Meaning
<b>DANGER!</b>	This combination of symbol and signal word indicates an immediate dangerous situation that will result in death or serious injury if it is not avoided.
<b>WARNING!</b>	This combination of symbol and signal word indicates a possible dangerous situation that can result in death or serious injury if it is not avoided.
<b>NOTICE!</b>	This combination of symbol and signal word indicates a possible dangerous situation that can result in material and environmental damage if it is not avoided.

Warning signs	Type of danger
	Warning – high-voltage.
	Warning – hot surface.
	Warning – dangerous optical radiation.
	Warning – suspended load.
	Warning – danger zone.



## 2 Safety instructions

### Intended use

This device is intended for projection of exchangeable gobos. The device is designed for professional use and is not suitable for use in households. Use the device only as described in this user manual. Any other use or use under other operating conditions is considered to be improper and may result in personal injury or property damage. No liability will be assumed for damages resulting from improper use.

This device may be used only by persons with sufficient physical, sensorial, and intellectual abilities and having corresponding knowledge and experience. Other persons may use this device only if they are supervised or instructed by a person who is responsible for their safety.

### Safety



#### **DANGER!**

##### **Danger for children**

Ensure that plastic bags, packaging, etc. are disposed of properly and are not within reach of babies and young children. Choking hazard!

Ensure that children do not detach any small parts (e.g. knobs or the like) from the unit. They could swallow the pieces and choke!

Never let children unattended use electrical devices.



#### **DANGER!**

##### **Electric shock caused by high voltages inside**

Within the device there are areas where high voltages may be present.

Completely disconnect the device from the power supply before you open or remove covers. Mount all covers and attach them firmly before connecting the device again.

Do not use the device if covers, protectors or optical components are missing or damaged.



**DANGER!**

**Electric shock caused by short-circuit**

Always use proper ready-made insulated mains cabling (power cord) with a protective contact plug. Do not modify the mains cable or the plug. Failure to do so could result in electric shock/death or fire. If in doubt, seek advice from a registered electrician.



**WARNING!**

**Eye damage caused by high light intensity**

Never look directly into the light source.



**WARNING!**

**Risk of epileptic shock**

Strobe lighting can trigger seizures in photosensitive epilepsy. Sensitive persons should avoid looking at strobe lights.



### **WARNING!**

#### **Risk of injury caused by falling objects**

Make sure that the installation complies with the standards and rules that apply in your country. Always secure the device with a secondary safety attachment, such as a safety cable or a safety chain.



### **WARNING!**

#### **Risk of burns at the surface and inside of the device**

The surface and the inner parts of the device can become very hot during operation.

After switching off the device wait for at least 15 minutes before you start any maintenance activities.



**NOTICE!**

**Risk of fire**

Do not block areas of ventilation. Do not install the device near any direct heat source. Keep the device away from naked flames.



### **NOTICE!**

#### **Operating conditions**

This device has been designed for indoor use only. To prevent damage, never expose the device to any liquid or moisture. Avoid direct sunlight, heavy dirt, and strong vibrations.

Only operate the device within the ambient conditions specified in the chapter 'Technical specifications' of this user manual. Avoid heavy temperature fluctuations and do not switch the device on immediately after it was exposed to temperature fluctuations (for example after transport at low outside temperatures).

Dust and dirt inside can damage the unit. When operated in harmful ambient conditions (dust, smoke, nicotine, fog, etc.), the unit should be maintained by qualified service personnel at regular intervals to prevent overheating and other malfunction.



**NOTICE!**

**Power supply**

Before connecting the device, ensure that the input voltage (AC outlet) matches the voltage rating of the device and that the AC outlet is protected by a residual current circuit breaker. Failure to do so could result in damage to the device and possibly injure the user.

Unplug the device before electrical storms occur and when it is unused for long periods of time to reduce the risk of electric shock or fire.



**NOTICE!**

**Risk of fire due to incorrect polarity**

Incorrectly inserted batteries may destroy the device or the batteries.

Ensure that proper polarity is observed when inserting batteries.



### **NOTICE!**

#### **Possible damage by leaking batteries**

Leaking batteries can cause permanent damage to the device.

Take batteries out of the device if it is not going to be used for a longer period.



### **NOTICE!**

#### **Possible staining**

The plasticiser contained in the rubber feet of this product may possibly react with the coating of your parquet, linoleum, laminate or PVC floor and after some time cause permanent dark stains.

In case of doubt, do not put the rubber feet directly on the floor, but use felt-pad floor protectors or a carpet.



### 3 Features

- Powerful projector for logos and images
- 30 W High Power LED (GP30-C: RGB, GP30-W: white)
- Control of rotation speed and direction via buttons on the device or the supplied infrared remote control
- magnetic gobo holder for easy gobo exchange
- suitable for wall and floor mounting
- four gobos included

For technological reasons, the light output of LEDs decreases over their lifetime. This effect increases with higher operating temperature. You can extend the service life of the illuminants by providing adequate ventilation and operating the LEDs with the lowest possible brightness.

## 4 Installation

Unpack and check carefully there is no transportation damage before using the unit. Keep the equipment packaging. To fully protect the product against vibration, dust and moisture during transportation or storage use the original packaging or your own packaging material suitable for transport or storage, respectively.

You can install the device standing or hanging. When in use, the device must be mounted at a solid surface or clamped to an approved truss.

Work from a stable platform whenever you install or move the device or when you perform any kind of maintenance. Block access under the work area.



### **WARNING!**

#### **Risk of injury caused by falling objects**

Make sure that the installation complies with the standards and rules that apply in your country. Always secure the device with a secondary safety attachment, such as a safety cable or a safety chain.



**NOTICE!**

**Risk of fire**

Do not block areas of ventilation. Do not install the device near any direct heat source. Keep the device away from naked flames.



**NOTICE!**

**Risk of fire due to incorrect polarity**

Incorrectly inserted batteries may destroy the device or the batteries.  
Ensure that proper polarity is observed when inserting batteries.



**NOTICE!**

**Possible damage by leaking batteries**

Leaking batteries can cause permanent damage to the device.  
Take batteries out of the device if it is not going to be used for a longer period.



### **NOTICE!**

#### **Risk of overheating**

The distance between light output and the illuminated surface must be more than 1.5 m (19.7in).

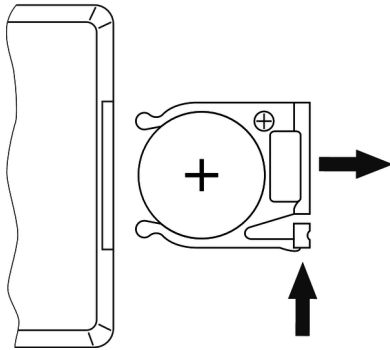
Provide sufficient ventilation.

The ambient temperature must always be below 40 °C (104 °F).



*Please note that this device must not be connected to a dimmer.*

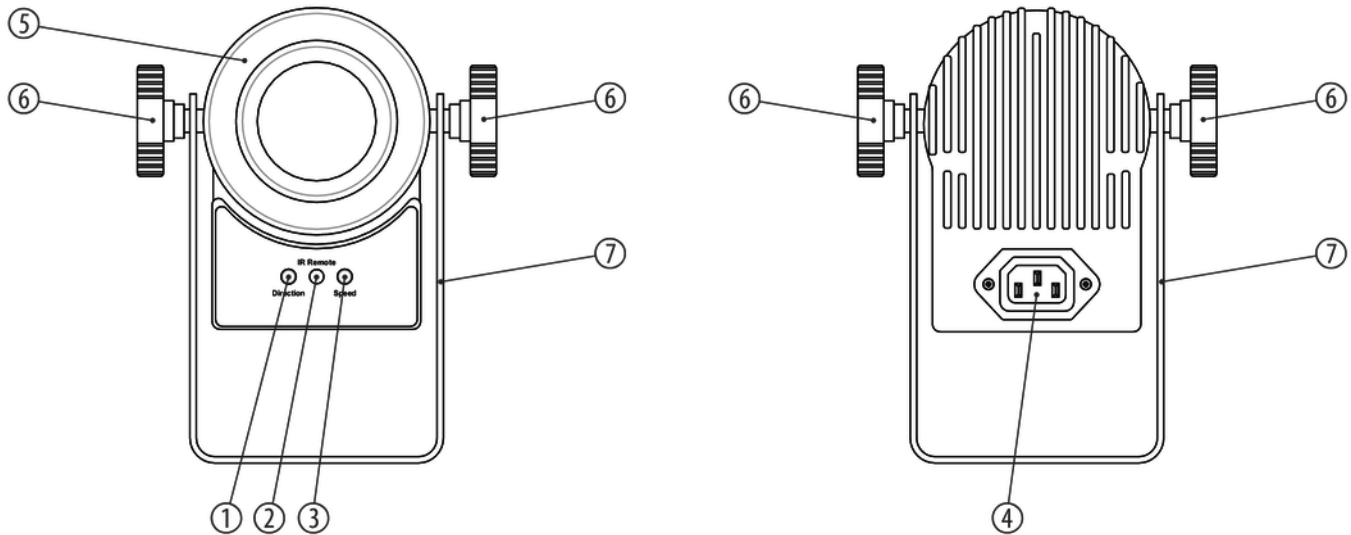
### Inserting the battery into the remote control



Press the lock of the battery holder to the centre of the housing and pull out the battery holder like a drawer. Insert the battery. The battery is correct if the positive pole points to the housing base of the remote control. Slide the battery holder back into the remote until it clicks into place.

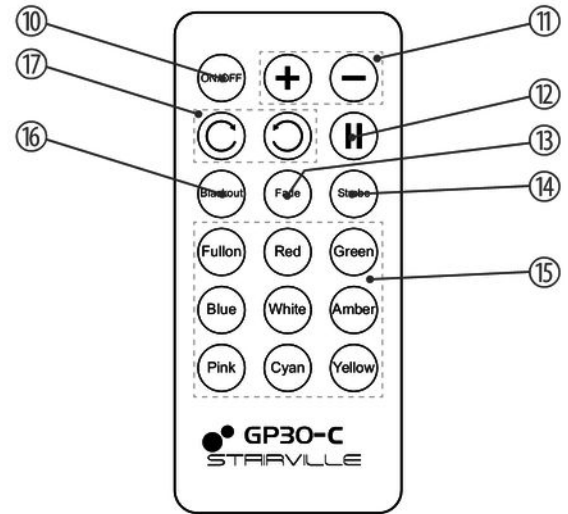
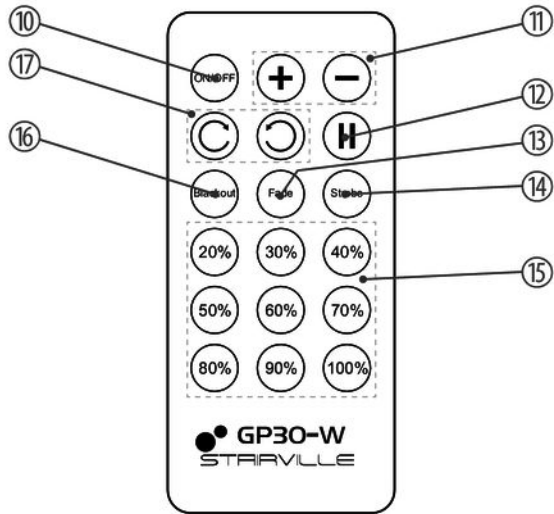
When shipping, the battery is already installed in the remote and protected against discharge by a transparent plastic foil. Remove the plastic foil prior to first use.

## 5 Connections and controls



1	<i>[Direction ]</i> Button to turn the rotation on and off and select the direction of rotation.
2	<i>[IR Remote]</i> Infrared sensor for the signals from the included remote control.
3	<i>[Speed]</i> Button to change the speed of rotation.
4	IEC chassis plug for the power supply.
5	Projection optics. Carefully pull out the optics guided on a carriage to roughly adjust the distance. For fine adjustment and focus, turn the optics.
6	Locking screws for the mounting bracket.
7	Mounting bracket with opening for a safety rope.

Remote control





10	<i>[ON/OFF]</i> Turns the device on and off.
11	<i>[+], [-]</i> Increases or decreases the speed of gobo rotation.
12	" Stops the gobo rotation.
13	<i>[Fade]</i> Turns the Fade effect on or off.
14	<i>[Strobe]</i> Turns the Strobe effect (flash) on or off.

15

**GP30-W**

*[20%] ... [100%]*

Button to select the brightness.

**GP30-C**

*[Fullon] ... [Yellow]*

Buttons to select a colour:

16

*[Blackout]*

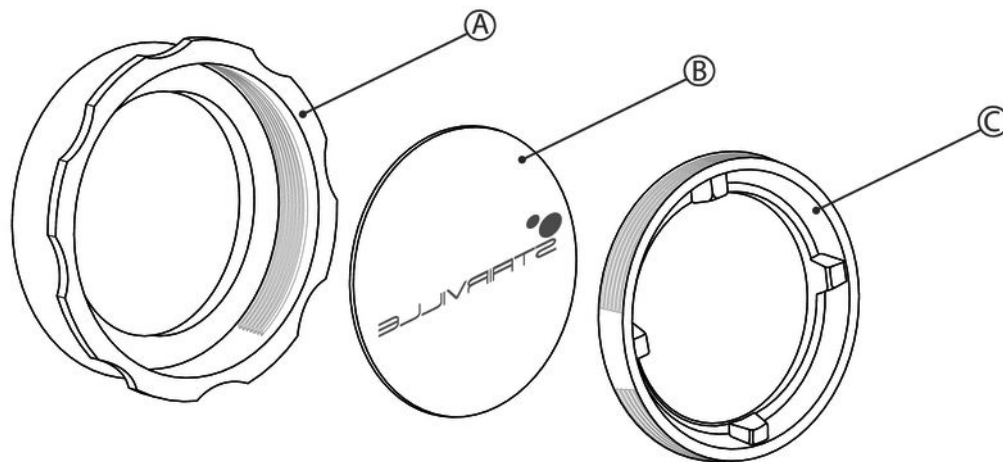
Button to turn the blackout on or off.

17

Button to select the direction of rotation.

## 6 Maintenance

### Gobo exchange



GP30-W LED, GP30-C LED

A	Gobo holder
B	Gobo
C	Lock ring



### **DANGER!**

#### **Electric shock caused by high voltages inside**

Within the device there are areas where high voltages may be present.

Completely disconnect the device from the power supply before you open or remove covers. Mount all covers and attach them firmly before connecting the device again.

Do not use the device if covers, protectors or optical components are missing or damaged.

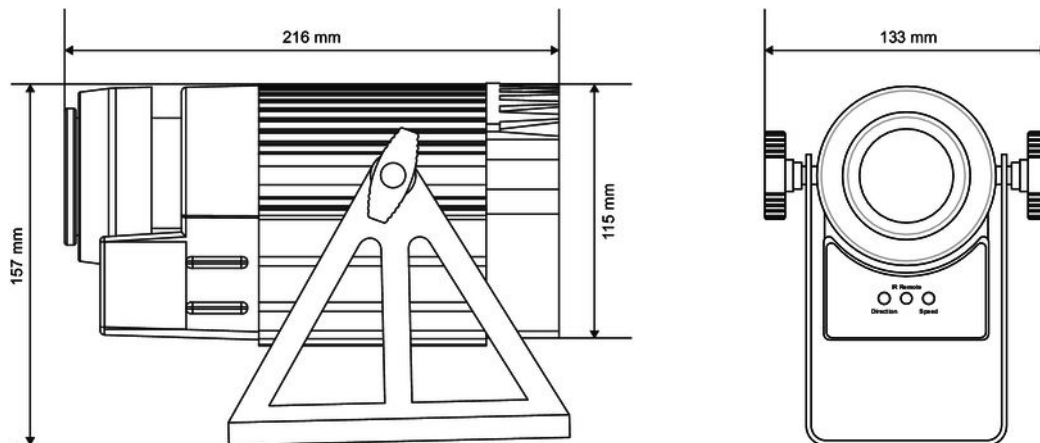
**WARNING!****Risk of burns at the surface and inside of the device**

The surface and the inner parts of the device can become very hot during operation.

After switching off the device wait for at least 15 minutes before you start any maintenance activities.

1. ▶ Make sure that the device is disconnected from the mains and completely cooled down.
2. ▶ Carefully pull out the optics guided on a carriage until it stops.
3. ▶ Remove the magnetic gobo holder from the unit. Be careful not to touch the lenses inside the device to avoid dirt from fingerprints.
4. ▶ Unscrew the lock ring (C) from the gobo holder (A). Now you can remove the gobo (B) and replace it with another. Insert the gobo so that the subject appears mirror-inverted when you look at the optics from the front.
5. ▶ Screw the lock ring firmly inside the gobo holder.
6. ▶ Replace the magnetic gobo holder back into the unit.

## 7 Technical specifications



		<b>Item no. 400313</b> <b>GP30-W</b>	<b>Item no. 400315</b> <b>GP30-C</b>
Light source		1 × high power LED, white, 30 W	1 × high power LED, RGB, 30 W
Light source properties	Colour temperature	8700 K	
	Colour rendering index	73.6 CRI Ra	
Optical properties	Beam angle	17°	
Gobo	Size	E	
	Diameter	37.5 mm	
	Diameter of the image	30 mm	
	Width	3 mm	
Control	Infrared remote control		
	Buttons on the unit		
Input connections	Power supply	IEC chassis plug C14	

		<b>Item no. 400313</b>	<b>Item no. 400315</b>
		<b>GP30-W</b>	<b>GP30-C</b>
Power consumption	30 W		
Supply voltage	AC 100 – 240 V ~ 50/60 Hz		
Battery remote control	Battery type	Lithium button cell, 3 V, CR 2025	
Degree of protection	IP20		
Mounting options	Wall mounting, floor mounting		
Dimensions (W × H × D)	133 mm × 216 mm × 157 mm		
Weight	2.0 kg		
Ambient conditions	Temperature range	0 °C...40 °C	
	Relative humidity	50 %, non-condensing	

### Further information



	<b>Item no. 400313 GP30-W</b>	<b>Item no. 400315 GP30-C</b>
Type	Gobo projector	Gobo projector
Rechargeable battery operation	No	No

## 8 Cleaning

### Optical lenses

Clean the optical lenses, that are accessible from the outside, regularly in order to optimize the light output. The frequency of cleaning depends on the operating environment: wet, smoky or particularly dirty surroundings can cause more accumulation of dirt on the optics of the device.

- Clean with a soft cloth using our lamp and lens cleaner (item no. 280122).
- Always dry the parts carefully.

### Fan grids

The fan grids of the device must be cleaned of any contamination, such as dust, etc. on a regular basis. Before cleaning, switch off the device and disconnect mains-operated devices from the mains. Only use pH-neutral, solvent-free and non-abrasive cleaning agents. Clean the unit with a slightly damp lint-free cloth.

## 9 Protecting the environment

### Disposal of the packaging material



For the transport and protective packaging, environmentally friendly materials have been chosen that can be supplied to normal recycling.

Ensure that plastic bags, packaging, etc. are properly disposed of.

Do not just dispose of these materials with your normal household waste, but make sure that they are fed to a recovery. Please follow the notes and markings on the packaging.

### Disposal of batteries



Batteries must not be disposed of as domestic waste or thrown into fire. Dispose of the batteries according to national or local regulations regarding hazardous waste. To protect the environment, dispose of empty batteries at your retail store or at appropriate collection sites.

### Disposal of your old device



This product is subject to the European Waste Electrical and Electronic Equipment Directive (WEEE) in its currently valid version. Do not dispose with your normal household waste.

Dispose this device through an approved waste disposal firm or through your local waste facility. When discarding the device, comply with the rules and regulations that apply in your country. If in doubt, consult your local waste disposal facility.

GP30-W LED, GP30-C LED





