



LED Theater Spot
100 3000K

LED spotlight

Musikhaus Thomann
Thomann GmbH
Hans-Thomann-Straße 1
96138 Burgebrach
Germany
Telephone: +49 (0) 9546 9223-0
E-mail: info@thomann.de
Internet: www.thomann.de

04.05.2018, ID: 414220, 427226 (V2)

Table of contents

1	General notes	6
	1.1 Further information.....	7
	1.2 Notational conventions.....	8
	1.3 Symbols and signal words.....	8
2	Safety instructions	11
3	Features	16
4	Installation	18
5	Starting up	22
6	Connections and controls	25
7	Operating	30
	7.1 Starting the device.....	30
	7.2 Main menu.....	30
	7.3 Menu overview.....	33
	7.4 Functions in 1-channel DMX mode.....	34
	7.5 Functions in 2-channel DMX mode.....	34

8	Technical specifications.....	35
9	Plug and connection assignments.....	37
10	Troubleshooting.....	38
11	Cleaning.....	40
12	Protecting the environment.....	41



LED Theater Spot 100 3000K
LED spotlight

1 General notes

This manual contains important instructions for the safe operation of the unit. Read and follow the safety instructions and all other instructions. Keep the manual for future reference. Make sure that it is available to all those using the device. If you sell the unit please make sure that the buyer also receives this manual.

Our products are subject to a process of continuous development. Thus, they are subject to change.

1.1 Further information

On our website (www.thomann.de) you will find lots of further information and details on the following points:

Download	This manual is also available as PDF file for you to download.
Keyword search	Use the search function in the electronic version to find the topics of interest for you quickly.
Online guides	Our online guides provide detailed information on technical basics and terms.
Personal consultation	For personal consultation please contact our technical hotline.
Service	If you have any problems with the device the customer service will gladly assist you.

1.2 Notational conventions

This manual uses the following notational conventions:

Letterings

The letterings for connectors and controls are marked by square brackets and italics.

Examples: *[VOLUME]* control, *[Mono]* button.



Displays


Texts and values displayed on the device are marked by quotation marks and italics.

Examples: *'24ch'*, *'OFF'*.

1.3 Symbols and signal words

In this section you will find an overview of the meaning of symbols and signal words that are used in this manual.

Signal word	Meaning
DANGER!	This combination of symbol and signal word indicates an immediate dangerous situation that will result in death or serious injury if it is not avoided.
WARNING!	This combination of symbol and signal word indicates a possible dangerous situation that can result in death or serious injury if it is not avoided.
NOTICE!	This combination of symbol and signal word indicates a possible dangerous situation that can result in material and environmental damage if it is not avoided.
Warning signs	Type of danger
	Warning – high-voltage.
	Warning – suspended load.

Warning signs	Type of danger
	Warning – danger zone.

2 Safety instructions

Intended use

This device is intended for use as an electronic lighting effect by means of LED technology. The device is designed for professional use and is not suitable for use in households. Use the device only as described in this user manual. Any other use or use under other operating conditions is considered to be improper and may result in personal injury or property damage. No liability will be assumed for damages resulting from improper use.

This device may be used only by persons with sufficient physical, sensorial, and intellectual abilities and having corresponding knowledge and experience. Other persons may use this device only if they are supervised or instructed by a person who is responsible for their safety.

Extend the life of the device by regular breaks in operation and avoid switching it on and off frequently. This device is not suitable for continuous use.

Safety



DANGER!

Danger for children

Ensure that plastic bags, packaging, etc. are disposed of properly and are not within reach of babies and young children. Choking hazard!

Ensure that children do not detach any small parts (e.g. knobs or the like) from the unit. They could swallow the pieces and choke!

Never let children unattended use electrical devices.



DANGER!

Electric shock caused by high voltages inside

Within the device there are areas where high voltages may be present. Never remove any covers.

There are no user-serviceable parts inside.

Do not use the device if covers, protectors or optical components are missing or damaged.



DANGER!

Electric shock caused by short-circuit

Always use proper ready-made insulated mains cabling (power cord) with a protective contact plug. Do not modify the mains cable or the plug. Failure to do so could result in electric shock/death or fire. If in doubt, seek advice from a registered electrician.



WARNING!

Eye damage caused by high light intensity

Never look directly into the light source.



WARNING!

Risk of epileptic shock

Strobe lighting can trigger seizures in photosensitive epilepsy. Sensitive persons should avoid looking at strobe lights.



WARNING!

Risk of injury caused by falling objects

Make sure that the installation complies with the standards and rules that apply in your country. Always secure the device with a secondary safety attachment, such as a safety cable or a safety chain.

Secure the barn door with a safety cable on the spotlight after installation. The safety cable must run outside the barn door and must not interfere with the light emission.



NOTICE!

Risk of fire

Do not block areas of ventilation. Do not install the device near any direct heat source. Keep the device away from naked flames.



NOTICE!

Operating conditions

This device has been designed for indoor use only. To prevent damage, never expose the device to any liquid or moisture. Avoid direct sunlight, heavy dirt, and strong vibrations.



NOTICE!

Power supply

Before connecting the device, ensure that the input voltage (AC outlet) matches the voltage rating of the device and that the AC outlet is protected by a residual current circuit breaker. Failure to do so could result in damage to the device and possibly injure the user.

Unplug the device before electrical storms occur and when it is unused for long periods of time to reduce the risk of electric shock or fire.

3 Features

The LED theatre spotlight replaces conventional Fresnel lens spotlights with 500 W ... 650 W power.

Special features of the device:

- 1 × COB LED, 100 W
- Fresnel lens
- Colour temperature: 3000 K
- Colour rendering index: 95
- Max. light output: 6350 lux (2 m)
- 15° to 45° manually adjustable beam angle
- Operation in stand-alone or DMX mode (one or two channels, depending on operating mode)
- Operating via buttons and display on the unit
- Very quiet temperature-controlled fan for quiet operation
- Ideally suitable for use in theatres

For technological reasons, the light output of LEDs decreases over their lifetime. This effect increases with higher operating temperature. You can extend the service life of the illuminants by providing adequate ventilation and operating the LEDs with the lowest possible brightness.

4 Installation

Unpack and carefully check that there is no transportation damage before using the unit. Keep the equipment packaging. To fully protect the device against vibration, dust and moisture during transportation or storage use the original packaging or your own packaging material suitable for transport or storage, respectively.



WARNING!

Risk of injury caused by falling objects

Make sure that the installation complies with the standards and rules that apply in your country. Always secure the device with a secondary safety attachment, such as a safety cable or a safety chain.

Secure the barn door with a safety cable on the spotlight after installation. The safety cable must run outside the barn door and must not interfere with the light emission.



NOTICE!

Risk of overheating

The distance between light output and the illuminated surface must be more than 1.5 m (19.7in).

Provide sufficient ventilation.

The ambient temperature must always be below 40 °C (104 °F).



NOTICE!

Use of stands

When mounting the device onto a stand, ensure that the stand is in a safe and stable position and that the weight of the device does not exceed the maximum permissible load capacity of the stand.



NOTICE!

Possible data transmission errors

For error-free operation make use of dedicated DMX cables and do not use ordinary microphone cables.

Never connect the DMX input or output to audio devices such as mixers or amplifiers.

Mounting options

You can install the unit in hanging or standing position. When in use, the device must always be attached to a solid surface or an approved truss. Use the openings of the bracket provided for mounting.

Always work from a stable platform whenever installing, moving or servicing the unit. In doing so, the area underneath the unit must be cordoned off.

The safety cable must be attached to the bracket.



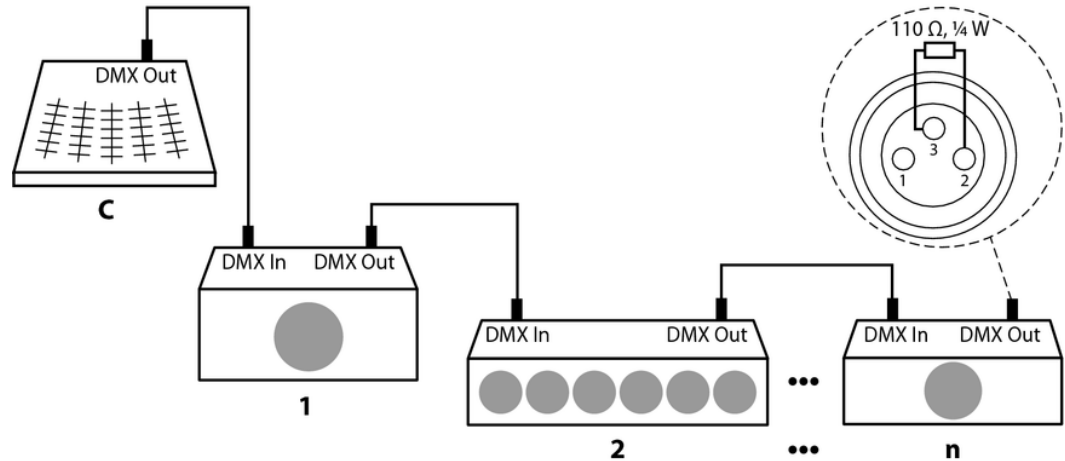
Please note that this device must not be connected to a dimmer.

5 Starting up

Create all connections while the device is off. Use the shortest possible high-quality cables for all connections. Take care when running the cables to prevent tripping hazards.

Connections in DMX mode

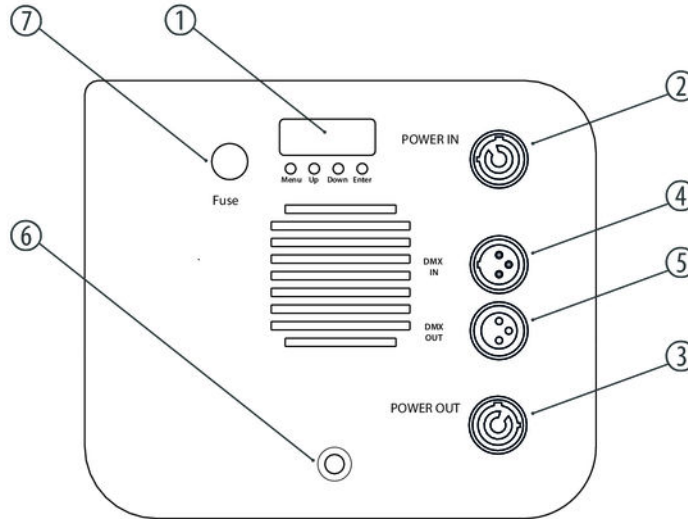
Connect the DMX input of the device to the DMX output of a DMX controller or another DMX device. Connect the output of the first DMX device to the input of the second one, and so on to form a daisy chain. Always ensure that the output of the last DMX device in the daisy chain is terminated with a resistor ($110\ \Omega$, $\frac{1}{4}\ \text{W}$).



Connections in master/slave mode

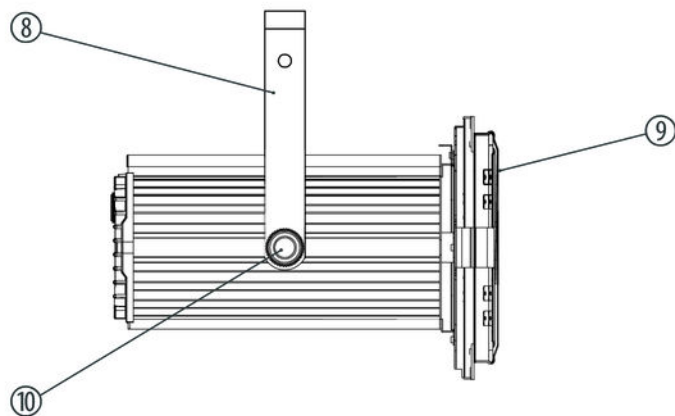
When you configure a group of devices in master/slave mode, the first unit will control the other units for an automatic, sound-activated, synchronized show. This function is ideal when you want to start a show immediately. Connect the DMX output of the master device to the DMX input of the first slave device. Then connect the DMX output of the first slave device to the DMX input of the second slave device and so on.

6 Connections and controls



1	Display with function buttons. The display flashes when a valid DMX signal is present. <i>[Enter]</i> Confirms a selected value. <i>[Up], [Down]</i> Increases / decreases the displayed value by one. <i>[Menu]</i> Calls up the main menu or a submenu.
2	Power-Twist connector for the power supply of the device.
3	Power-Twist connector for the voltage supply of a further device.
4	<i>[DMX IN]</i> DMX input.
5	<i>[DMX OUT]</i> DMX output

- | | |
|---|---|
| 6 | Focus control. Adjusts the beam angle in a range from 15° to 45°. |
| 7 | Fuse holder. Should the fuse have blown, disconnect the unit from the power supply and replace the fuse with a new fuse of the same type. |



- | | |
|----|---|
| 8 | Mounting bracket. |
| 9 | Front side with barn door attachment. |
| 10 | Locking screw for the mounting bracket. |

7 Operating

7.1 Starting the device

Connect the device to the power supply to start operation. The device is immediately operational and operates in the last mode with the settings last selected.

7.2 Main menu

Menu control

Press *[Menu]* to open the main menu. Use *[Up]* or *[Down]* to select the desired parameter or to change the respectively indicated value. When the display shows the desired parameter or value press *[Enter]* to enter the respective submenu or confirm a new value. To return to the previous menu level without changes, press *[Menu]*.

If you do not press any button for 60 seconds, the display will automatically turn off. Possible changes are not applied.

DMX address

Press *[Menu]*. Press *[Up]* or *[Down]* repeatedly until the display shows 'Addr' and confirm with *[Enter]*. Now you can set the number of the first DMX channel to be used by the device (DMX address). Use *[Up]* or *[Down]* to select a value between 1 and 512 (for the 1-channel mode) or 511 (for the 2-channel mode).

Confirm the selection with *[Enter]*. With *[Menu]* to return to the parent menu.

To return to the parent menu without changes press *[Menu]* without prior confirmation.

Make sure that this number matches the configuration of your DMX controller.

Dimmer

Press *[Menu]*. Press *[Up]* or *[Down]* repeatedly until the display shows 'Stat' and confirm with *[Enter]*. Use *[Up]* or *[Down]* adjust the Dimmer function in a range from 'U000' ... 'U255' (off ... maximum brightness).

Confirm the selection with *[Enter]*. With *[Menu]* to return to the parent menu.

To return to the parent menu without changes press *[Menu]* without prior confirmation.

Temperature

Press *[Menu]*. Press *[Up]* or *[Down]* repeatedly until the display shows 'tEmP' and confirm with *[Enter]*. The display shows the current internal temperature of the device in 'XX' format (numeric value).

With *[Menu]* to return to the parent menu.

DMX mode

Press *[Menu]*. Press *[Up]* or *[Down]* repeatedly until the display shows 'CH' and confirm with *[Enter]*. Now you can set the number of the first DMX channel to be used by the device (DMX address). Use *[Up]* or *[Down]* to select one of two DMX modes 'CH01' (1-channel mode) or 'CH02' (2-channel mode).

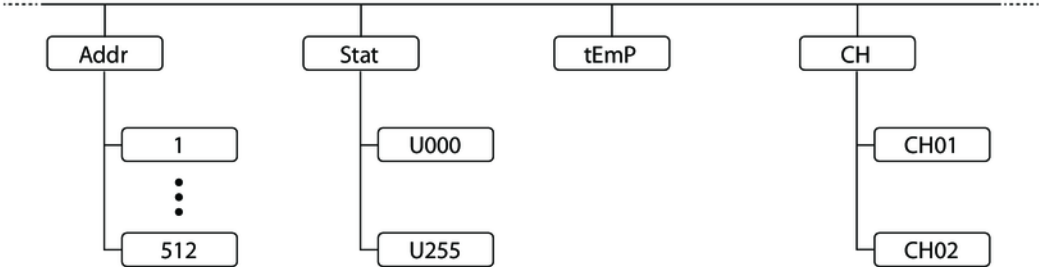
Confirm the selection with *[Enter]*. With *[Menu]* to return to the parent menu.

To return to the parent menu without changes press *[Menu]* without prior confirmation.

Operating mode Slave

Instead of using a DMX controller, connect the device to a master device using a suitable DMX cable. The device follows exactly the operation of the Master to which it is connected.

7.3 Menu overview



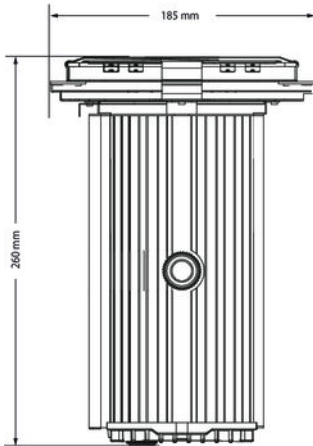
7.4 Functions in 1-channel DMX mode

Channel	Value	Function
1	0 ... 255	Master dimmer (0 % to 100 %)

7.5 Functions in 2-channel DMX mode

Channel	Value	Function
1	0 ... 255	White light dimmer (0 % to 100 %)
2	0 ... 255	Stroboscope effect (0 % to 100 %)

8 Technical specifications



Illuminant	1 × COB LED, 100 W
Colour temperature	3000 K
Colour rendering index	95
Beam angle	15 ° ... 45 °, manually adjustable on the device
Number of DMX channels	1 or 2, depending on operating mode
Operating supply voltage	AC 100 – 240 V ~ 50/60 Hz
Power consumption	max. 115 W
Protection	IP20
Dimensions (W × H × D)	160 mm × 185 mm × 260 mm
Fuse	5 mm × 20 mm, 3 A, 250 V, fast-acting
Weight	5 kg

Environmental conditions

Temperature range	0 °C...40 °C
Relative humidity	50 %, non-condensing

9 Plug and connection assignments

Introduction

This chapter will help you select the right cables and plugs to connect your valuable equipment so that a perfect light experience is guaranteed.

Please take our tips, because especially in 'Sound & Light' caution is indicated: Even if a plug fits into a socket, the result of an incorrect connection may be a destroyed DMX controller, a short circuit or 'just' a not working light show!

DMX connections

The unit offers a 3-pin XLR socket for DMX output and a 3-pin XLR plug for DMX input. Please refer to the drawing and table below for the pin assignment of a suitable XLR plug.



Pin	Configuration
1	Ground, shielding
2	Signal inverted (DMX-, 'cold signal')
3	Signal (DMX+, 'hot signal')

10 Troubleshooting



NOTICE!

Possible data transmission errors

For error-free operation make use of dedicated DMX cables and do not use ordinary microphone cables.

Never connect the DMX input or output to audio devices such as mixers or amplifiers.

In the following we list a few common problems that may occur during operation. We give you some suggestions for easy troubleshooting:

Symptom	Remedy
The unit does not work, no light.	Check the mains connection and the fuse.
No response to the DMX controller.	1. Check the DMX ports and cables for proper connection.
	2. Check the address settings and the DMX polarity.
	3. Try using another DMX controller.
	4. Check to see if the DMX cables run near or alongside to high voltage cables that may cause damage or interference to DMX interface circuits.

If the procedures recommended above do not succeed, please contact our Service Center. You can find the contact information at www.thomann.de.

11 Cleaning

Optical lenses

Clean the optical lenses, that are accessible from the outside, regularly in order to optimize the light output. The frequency of cleaning depends on the operating environment: wet, smoky or particularly dirty surroundings can cause more accumulation of dirt on the optics of the device.

- Clean with a soft cloth using our lamp and lens cleaner (item no. 280122).
- Always dry the parts carefully.

Fan grids

The fan grids of the device must be cleaned on a regular basis to remove dust and dirt. Before cleaning, switch off the device and disconnect AC-powered devices from the mains. Use a lint-free damp cloth for cleaning. Never use solvents or alcohol for cleaning.

12 Protecting the environment

Disposal of the packaging material



For the transport and protective packaging, environmentally friendly materials have been chosen that can be supplied to normal recycling.

Ensure that plastic bags, packaging, etc. are properly disposed of.

Do not just dispose of these materials with your normal household waste, but make sure that they are collected for recycling. Please follow the notes and markings on the packaging.

Disposal of your old device



This product is subject to the European Waste Electrical and Electronic Equipment Directive (WEEE) in its currently valid version. Do not dispose with your normal household waste.

Dispose of this device through an approved waste disposal firm or through your local waste facility. When discarding the device, comply with the rules and regulations that apply in your country. If in doubt, consult your local waste disposal facility.

