



LED Mushroom
LED flower effect

Musikhaus Thomann
Thomann GmbH
Hans-Thomann-Straße 1
96138 Burgebrach
Germany
Telephone: +49 (0) 9546 9223-0
E-mail: info@thomann.de
Internet: www.thomann.de

25.02.2021, ID: 415612 (V3)

Table of contents

| | | |
|----------|---|-----------|
| 1 | General information | 4 |
| | 1.1 Further information..... | 5 |
| | 1.2 Notational conventions..... | 6 |
| | 1.3 Symbols and signal words..... | 6 |
| 2 | Safety instructions | 9 |
| 3 | Features | 14 |
| 4 | Installation | 15 |
| 5 | Connections and controls | 20 |
| 6 | Operating | 22 |
| 7 | Technical specifications | 25 |
| 8 | Cleaning | 27 |
| 9 | Protecting the environment | 28 |

1 General information

This user manual contains important information on the safe operation of the device. Read and follow all safety notes and all instructions. Save this manual for future reference. Make sure that it is available to all persons using this device. If you sell the device to another user, be sure that they also receive this manual.

Our products and user manuals are subject to a process of continuous development. We therefore reserve the right to make changes without notice. Please refer to the latest version of the user manual which is ready for download under www.thomann.de.

1.1 Further information

On our website (www.thomann.de) you will find lots of further information and details on the following points:

| | |
|-----------------------|---|
| Download | This manual is also available as PDF file for you to download. |
| Keyword search | Use the search function in the electronic version to find the topics of interest for you quickly. |
| Online guides | Our online guides provide detailed information on technical basics and terms. |
| Personal consultation | For personal consultation please contact our technical hotline. |
| Service | If you have any problems with the device the customer service will gladly assist you. |

1.2 Notational conventions

This manual uses the following notational conventions:



Letterings


The letterings for connectors and controls are marked by square brackets and italics.

Examples: *[VOLUME]* control, *[Mono]* button.

1.3 Symbols and signal words

In this section you will find an overview of the meaning of symbols and signal words that are used in this manual.

| Signal word | Meaning |
|---|--|
| DANGER! | This combination of symbol and signal word indicates an immediate dangerous situation that will result in death or serious injury if it is not avoided. |
| WARNING! | This combination of symbol and signal word indicates a possible dangerous situation that can result in death or serious injury if it is not avoided. |
| NOTICE! | This combination of symbol and signal word indicates a possible dangerous situation that can result in material and environmental damage if it is not avoided. |
| Warning signs | Type of danger |
|  | Warning – dangerous optical radiation. |
|  | Warning – suspended load. |

| Warning signs | Type of danger |
|---|------------------------|
|  | Warning – danger zone. |

2 Safety instructions

Intended use

This device is intended for use as an electronic lighting effect by means of LED technology. The device is designed for professional use only and is not suitable for use in households. Use the device only as described in this user manual. Any other use or use under other operating conditions is considered to be improper and may result in personal injury or property damage. No liability will be assumed for damages resulting from improper use.

This device may be used only by persons with sufficient physical, sensorial, and intellectual abilities and having corresponding knowledge and experience. Other persons may use this device only if they are supervised or instructed by a person who is responsible for their safety.



Extend the operating life of the device by regular breaks and by avoiding frequent switching on and off. The device is not suitable for continuous operation.

Safety



DANGER!

Danger for children

Ensure that plastic bags, packaging, etc. are disposed of properly and are not within reach of babies and young children. Choking hazard!

Ensure that children do not detach any small parts (e.g. knobs or the like) from the unit. They could swallow the pieces and choke!

Never let children unattended use electrical devices.



WARNING!

Eye damage caused by high light intensity

Never look directly into the light source.



WARNING!

Risk of epileptic shock

Strobe lighting can trigger seizures in photosensitive epilepsy. Sensitive persons should avoid looking at strobe lights.



NOTICE!

Risk of fire

Do not block areas of ventilation. Do not install the device near any direct heat source. Keep the device away from naked flames.



NOTICE!

Operating conditions

This device has been designed for indoor use only. To prevent damage, never expose the device to any liquid or moisture. Avoid direct sunlight, heavy dirt, and strong vibrations.

Only operate the device within the ambient conditions specified in the chapter 'Technical specifications' of this user manual. Avoid heavy temperature fluctuations and do not switch the device on immediately after it was exposed to temperature fluctuations (for example after transport at low outside temperatures).

Dust and dirt inside can damage the unit. When operated in harmful ambient conditions (dust, smoke, nicotine, fog, etc.), the unit should be maintained by qualified service personnel at regular intervals to prevent overheating and other malfunction.



NOTICE!

External power supply

The device is powered by an external power supply. Before connecting the external power supply, ensure that the input voltage (AC outlet) matches the voltage rating of the device and that the AC outlet is protected by a residual current circuit breaker. Failure to do so could result in damage to the device and possibly the user.

Unplug the external power supply before electrical storms occur and when the device is unused for long periods of time to reduce the risk of electric shock or fire.

3 Features

Compact effect spot with lens attachment to create countless moving dots in the room.

- 4 × 2 W LEDs (RGBW)
- Control via supplied remote control
- Preprogrammed automatic shows
- Sound control
- 5 V USB supply included

For technological reasons, the light output of LEDs decreases over their lifetime. This effect increases with higher operating temperature. You can extend the service life of the illuminants by providing adequate ventilation and operating the LEDs with the lowest possible brightness.

4 Installation

Unpack and check carefully there is no transportation damage before using the unit. Keep the equipment packaging. To fully protect the product against vibration, dust and moisture during transportation or storage use the original packaging or your own packaging material suitable for transport or storage, respectively.



WARNING!

Risk of injury caused by falling objects

Make sure that the installation complies with the standards and rules that apply in your country. Always secure the device with a secondary safety attachment, such as a safety cable or a safety chain.



NOTICE!

Risk of overheating

The distance between light output and the illuminated surface must be more than 1.5 m (19.7in).

Provide sufficient ventilation.

The ambient temperature must always be below 40 °C (104 °F).



NOTICE!

Use of stands

When mounting the device onto a stand, ensure that the stand is in a safe and stable position and that the weight of the device does not exceed the maximum permissible load capacity of the stand.

Mounting options

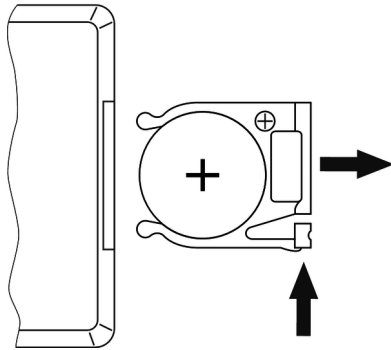
You can install the unit in hanging or standing position. When in use, the device must always be attached to a solid surface or an approved truss. Use the openings of the bracket provided for mounting.

Always work from a stable platform whenever installing, moving or servicing the unit. In doing so, the area underneath the unit must be cordoned off.



Please note that this device must not be connected to a dimmer.

Inserting the battery into the remote control



Press the lock of the battery holder to the centre of the housing and pull out the battery holder like a drawer. Insert the battery. The battery is correct if the positive pole points to the housing base of the remote control. Slide the battery holder back into the remote until it clicks into place.

When shipping, the battery is already installed in the remote and protected against discharge by a transparent plastic foil. Remove the plastic foil prior to first use.



NOTICE!

Possible damage by leaking batteries

Leaking batteries can cause permanent damage to the device.

Take batteries out of the device if it is not going to be used for a longer period.



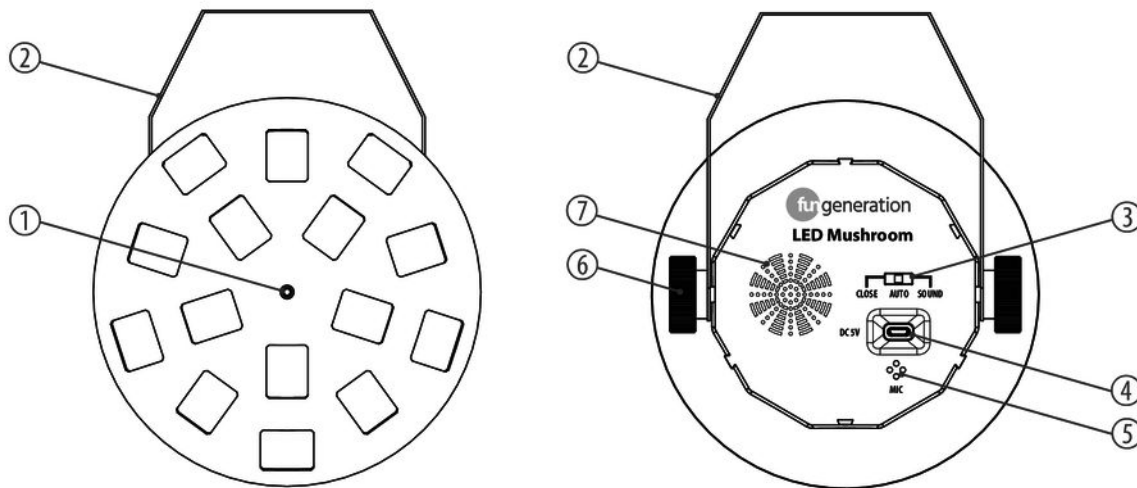
NOTICE!

Risk of fire due to incorrect polarity

Incorrectly inserted batteries may destroy the device or the batteries.

Ensure that proper polarity is observed when inserting batteries.

5 Connections and controls

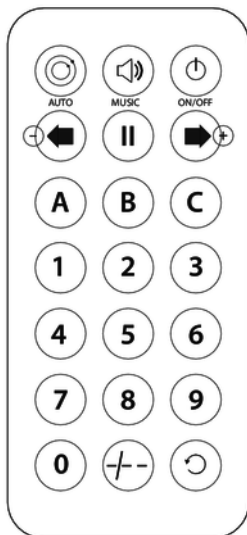


| | |
|---|---|
| 1 | Infrared sensor for the remote control signals |
| 2 | Mounting bracket |
| 3 | <i>[CLOSE] / [AUTO] / [SOUND]</i> Slide switch to select the mode |
| 4 | <i>[DC 5V]</i> USB connection socket (USB-C) for the included 5 V power supply |
| 5 | <i>[MIC]</i> Built-in microphone for sound-controlled operation |
| 6 | Locking screws for the mounting bracket |
| 7 | Vent grill |

6 Operating

The unit functions are only controlled by the included remote control. The unit is ready for use as soon as the supplied 5 V power supply is plugged into the unit and connected to a grounded mains socket.

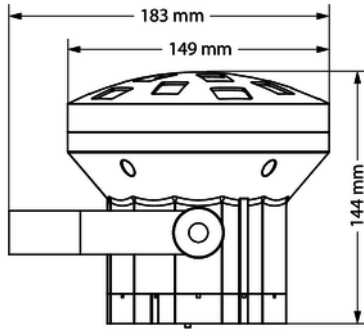
To use the remote control, point its infrared diode at the infrared sensor on the unit and press the desired buttons.



| Button labelling: | Function |
|-------------------|---|
| [AUTO] | Enabling / disabling the automatic mode. |
| [MUSIC] | Enabling / disabling the sound-controlled mode. |
| [ON/OFF] | Blackout |
| [-] | Decreasing the flash speed of the stroboscope effect. |
| [] | No function. |
| [+] | Increasing the flash speed of the stroboscope effect. |
| [A] | Enabling / disabling the stroboscope effect. |
| [B] | No function. |
| [C] | No function. |
| [1] | Selecting fixed colour red. |
| [2] | Selecting fixed colour bright green. |
| [3] | Selecting mixed colour green / blue. |
| [4] | Selecting mixed colour red / green. |

| Button labelling: | Function |
|--------------------------|--|
| [5] | Selecting fixed colour blue. |
| [6] | Selecting mixed colour red / green / blue. |
| [7] | Selecting mixed colour red / blue. |
| [8] | Selecting mixed colour red / blue. |
| [9] | Selecting mixed colour red / green. |
| [0] | Selecting fixed colour dark green. |
| [-/--] | No function. |

7 Technical specifications



| | | |
|--------------------------------------|--|------|
| Light source | 4 × 2 W LEDs, RGBW | |
| Optical properties | Beam angle | 104° |
| Control | Infrared remote control | |
| Power consumption | 9 W | |
| Operating supply voltage | 100 - 240 V ~ 50/60 Hz | |
| Voltage supply | USB power supply (5 V $\overline{\text{---}}$ / 2 A) | |
| Protection class | IP20 | |
| Mounting options | hanging, standing | |
| Dimensions (W × H × D), with bracket | 144 mm × 183 mm × 149 mm | |
| Weight | 0.55 kg | |

| | | |
|--------------------|-------------------|------------------------------|
| Ambient conditions | Temperature range | 0 °C...40 °C |
| | Relative humidity | 20 %...80 % (non-condensing) |

Further information

| | |
|----------------------|-------------|
| Similar construction | Beam effect |
| DMX control | No |
| Master/Slave | No |
| Remote control | included |
| Sound control | Yes |
| Display | No |

8 Cleaning

Optical lenses

Clean the optical lenses, that are accessible from the outside, regularly in order to optimize the light output. The frequency of cleaning depends on the operating environment: wet, smoky or particularly dirty surroundings can cause more accumulation of dirt on the optics of the device.

- Clean with a soft cloth using our lamp and lens cleaner (item no. 280122).
- Always dry the parts carefully.

Fan grids

The fan grids of the device must be cleaned of any contamination, such as dust, etc. on a regular basis. Before cleaning, switch off the device and disconnect mains-operated devices from the mains. Only use pH-neutral, solvent-free and non-abrasive cleaning agents. Clean the unit with a slightly damp lint-free cloth.

9 Protecting the environment

Disposal of the packaging material



For the transport and protective packaging, environmentally friendly materials have been chosen that can be supplied to normal recycling.

Ensure that plastic bags, packaging, etc. are properly disposed of.

Do not just dispose these materials with your normal household waste, but make sure that they are fed to a recovery. Please follow the notes and markings on the packaging.

Disposal of batteries



Batteries must not be disposed of as domestic waste or thrown into fire. Dispose of the batteries according to national or local regulations regarding hazardous waste. To protect the environment, dispose of empty batteries at your retail store or at appropriate collection sites.

Disposal of your old device



This product is subject to the European Waste Electrical and Electronic Equipment Directive (WEEE) in its currently valid version. Do not dispose with your normal household waste.

Dispose this device through an approved waste disposal firm or through your local waste facility. When discarding the device, comply with the rules and regulations that apply in your country. If in doubt, consult your local waste disposal facility.



Musikhaus Thomann · Hans-Thomann-Straße 1 · 96138 Burgebrach · Germany · www.thomann.de