



Wild Wash
Pro 648 RGBW
LED spotlight

Musikhaus Thomann
Thomann GmbH
Hans-Thomann-Straße 1
96138 Burgebrach
Germany
Telephone: +49 (0) 9546 9223-0
E-mail: info@thomann.de
Internet: www.thomann.de

20.01.2020, ID: 467447

Table of contents

1	General information	5
	1.1 Further information.....	6
	1.2 Notational conventions.....	7
	1.3 Symbols and signal words.....	7
2	Safety instructions	10
3	Features	18
4	Installation	20
5	Starting up	23
6	Connections and controls	26
7	Operating	29
	7.1 Starting the device.....	29
	7.2 Navigating the menu.....	29
	7.3 Main menu.....	30
	7.4 Menu overview.....	44
	7.5 Functions in DMX mode 1ch.....	46

7.6	Functions in DMX mode 2Ch-1.....	47
7.7	Functions in DMX mode 2Ch-2.....	49
7.8	Functions in DMX mode 3Ch.....	50
7.9	Functions in DMX mode 4Ch.....	51
7.10	Functions in DMX mode 5Ch.....	52
7.11	Functions in DMX mode 6Ch.....	57
7.12	Functions in DMX mode 9Ch-1.....	62
7.13	Functions in DMX mode 9Ch-2.....	66
7.14	Functions in DMX mode 16Ch.....	70
7.15	Functions in DMX mode 21Ch-1.....	72
7.16	Functions in DMX mode 21Ch-2.....	77
8	Technical specifications.....	82
9	Plug and connection assignment.....	85
10	Troubleshooting.....	87
11	Cleaning.....	89
12	Protecting the environment.....	90

1 General information

This user manual contains important information on the safe operation of the device. Read and follow all safety notes and all instructions. Save this manual for future reference. Make sure that it is available to all persons using this device. If you sell the device to another user, be sure that they also receive this manual.

Our products and user manuals are subject to a process of continuous development. We therefore reserve the right to make changes without notice. Please refer to the latest version of the user manual which is ready for download under www.thomann.de.

1.1 Further information

On our website (www.thomann.de) you will find lots of further information and details on the following points:

Download	This manual is also available as PDF file for you to download.
Keyword search	Use the search function in the electronic version to find the topics of interest for you quickly.
Online guides	Our online guides provide detailed information on technical basics and terms.
Personal consultation	For personal consultation please contact our technical hotline.
Service	If you have any problems with the device the customer service will gladly assist you.

1.2 Notational conventions

This manual uses the following notational conventions:

Letterings

The letterings for connectors and controls are marked by square brackets and italics.

Examples: *[VOLUME]* control, *[Mono]* button.



Displays



Texts and values displayed on the device are marked by quotation marks and italics.

Examples: *'24ch'*, *'OFF'*.

1.3 Symbols and signal words

In this section you will find an overview of the meaning of symbols and signal words that are used in this manual.

Signal word	Meaning
DANGER!	This combination of symbol and signal word indicates an immediate dangerous situation that will result in death or serious injury if it is not avoided.
WARNING!	This combination of symbol and signal word indicates a possible dangerous situation that can result in death or serious injury if it is not avoided.
NOTICE!	This combination of symbol and signal word indicates a possible dangerous situation that can result in material and environmental damage if it is not avoided.
Warning signs	Type of danger
	Warning – high-voltage.
	Warning – dangerous optical radiation.

Warning signs	Type of danger
	<p>Warning – suspended load.</p>
	<p>Warning – danger zone.</p>

2 Safety instructions

Intended use

This device is intended for use as an electronic lighting effect by means of LED technology. The device is designed for professional use and is not suitable for use in households. Use the device only as described in this user manual. Any other use or use under other operating conditions is considered to be improper and may result in personal injury or property damage. No liability will be assumed for damages resulting from improper use.

This device may be used only by persons with sufficient physical, sensorial, and intellectual abilities and having corresponding knowledge and experience. Other persons may use this device only if they are supervised or instructed by a person who is responsible for their safety.

Extend the life of the device by regular breaks in operation and avoid switching it on and off frequently. This device is not suitable for continuous use.

Safety



DANGER!

Danger for children

Ensure that plastic bags, packaging, etc. are disposed of properly and are not within reach of babies and young children. Choking hazard!

Ensure that children do not detach any small parts (e.g. knobs or the like) from the unit. They could swallow the pieces and choke!

Never let children unattended use electrical devices.



DANGER!

Electric shock caused by high voltages inside

Within the device there are areas where high voltages may be present. Never remove any covers.

There are no user-serviceable parts inside.

Do not use the device if covers, protectors or optical components are missing or damaged.



DANGER!

Electric shock caused by short-circuit

Always use proper ready-made insulated mains cabling (power cord) with a protective contact plug. Do not modify the mains cable or the plug. Failure to do so could result in electric shock/death or fire. If in doubt, seek advice from a registered electrician.



WARNING!

Eye damage caused by high light intensity

Never look directly into the light source.



WARNING!

Risk of epileptic shock

Strobe lighting can trigger seizures in photosensitive epilepsy. Sensitive persons should avoid looking at strobe lights.



NOTICE!

Risk of fire

Do not block areas of ventilation. Do not install the device near any direct heat source. Keep the device away from naked flames.



NOTICE!

Operating conditions

This device has been designed for indoor use only. To prevent damage, never expose the device to any liquid or moisture. Avoid direct sunlight, heavy dirt, and strong vibrations.

Only operate the device within the ambient conditions specified in the chapter 'Technical specifications' of this user manual. Avoid heavy temperature fluctuations and do not switch the device on immediately after it was exposed to temperature fluctuations (for example after transport at low outside temperatures).

Dust and dirt inside can damage the unit. When operated in harmful ambient conditions (dust, smoke, nicotine, fog, etc.), the unit should be maintained by qualified service personnel at regular intervals to prevent overheating and other malfunction.



NOTICE!

Power supply

Before connecting the device, ensure that the input voltage (AC outlet) matches the voltage rating of the device and that the AC outlet is protected by a residual current circuit breaker. Failure to do so could result in damage to the device and possibly injure the user.

Unplug the device before electrical storms occur and when it is unused for long periods of time to reduce the risk of electric shock or fire.



NOTICE!

Brandgefahr durch Überschreiten des Maximalstroms

The device can power other devices via a lockable Power Twist output socket. The current consumption of all serially connected other devices must not exceed 16 A, otherwise you risk injuries and irreparable damages of the device.

Connect just so many devices to the output socket that the maximum current consumption is not exceeded.

Ensure the correct dimensioning (wire cross section) of the used power cords of all serially connected devices.



NOTICE!

Possible damage due to installation of a wrong fuse

The use of different types of fuses can cause serious damage to the unit. Fire hazard!

Only fuses of the same type may be used.



NOTICE!

Possible staining

The plasticiser contained in the rubber feet of this product may possibly react with the coating of your parquet, linoleum, laminate or PVC floor and after some time cause permanent dark stains.

In case of doubt, do not put the rubber feet directly on the floor, but use felt-pad floor protectors or a carpet.



NOTICE!

Risk of overheating

The distance between light output and the illuminated surface must be more than 1.5 m (19.7in).

Provide sufficient ventilation.

The ambient temperature must always be below 40 °C (104 °F).

3 Features

The LED spotlight is particularly suitable for lighting applications in clubs, night clubs, on rock stages, in theatres and musicals. It can also be used for effect lighting of stage backgrounds, as a strobe and as a blinder.

Special features of the device:

- Equipped with 648 4-in-1 RGBW SMD LEDs
- Four individually controllable segments
- Control via DMX (different modes depending on the model version) and via buttons and display on the unit
- Built-in automatic show programmes
- Sound control
- Master / Slave mode
- Automatic programmes
- Robust housing with compact design
- Versatile installation and mounting options using the included lockable mounting bracket

For technological reasons, the light output of LEDs decreases over their lifetime. This effect increases with higher operating temperature. You can extend the service life of the illuminants by providing adequate ventilation and operating the LEDs with the lowest possible brightness.

4 Installation

Unpack and check carefully there is no transportation damage before using the unit. Keep the equipment packaging. To fully protect the product against vibration, dust and moisture during transportation or storage use the original packaging or your own packaging material suitable for transport or storage, respectively.

You can install the device standing or hanging. When in use, the device must be mounted at a solid surface or clamped to an approved truss.

Work from a stable platform whenever you install or move the device or when you perform any kind of maintenance. Block access under the work area.



WARNING!

Risk of injury caused by falling objects

Make sure that the installation complies with the standards and rules that apply in your country. Always secure the device with a secondary safety attachment, such as a safety cable or a safety chain.



NOTICE!

Risk of overheating

The distance between light output and the illuminated surface must be more than 1.5 m (19.7in).

Provide sufficient ventilation.

The ambient temperature must always be below 40 °C (104 °F).



NOTICE!

Possible data transmission errors

For error-free operation make use of dedicated DMX cables and do not use ordinary microphone cables.

Never connect the DMX input or output to audio devices such as mixers or amplifiers.



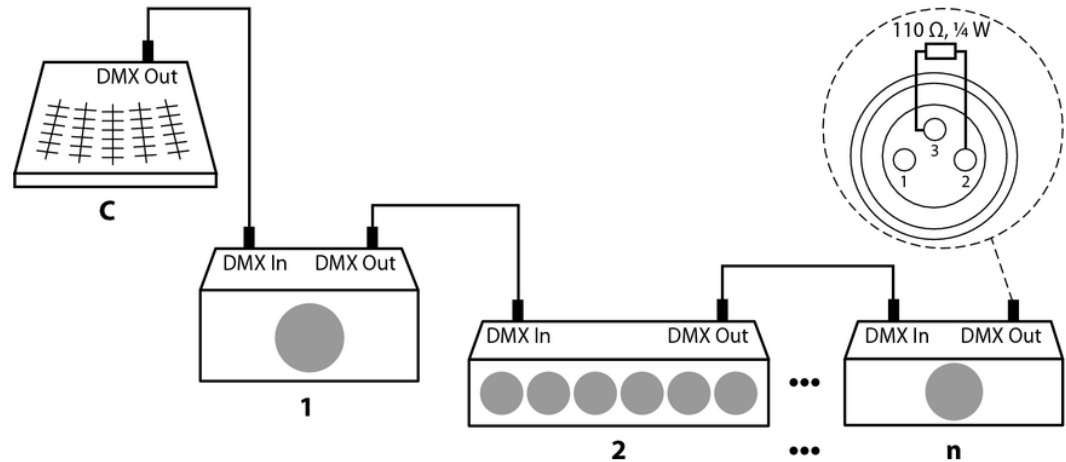
Please note that this device must not be connected to a dimmer.

5 Starting up

Create all connections while the device is off. Use the shortest possible high-quality cables for all connections. Take care when running the cables to prevent tripping hazards.

Connections in DMX mode

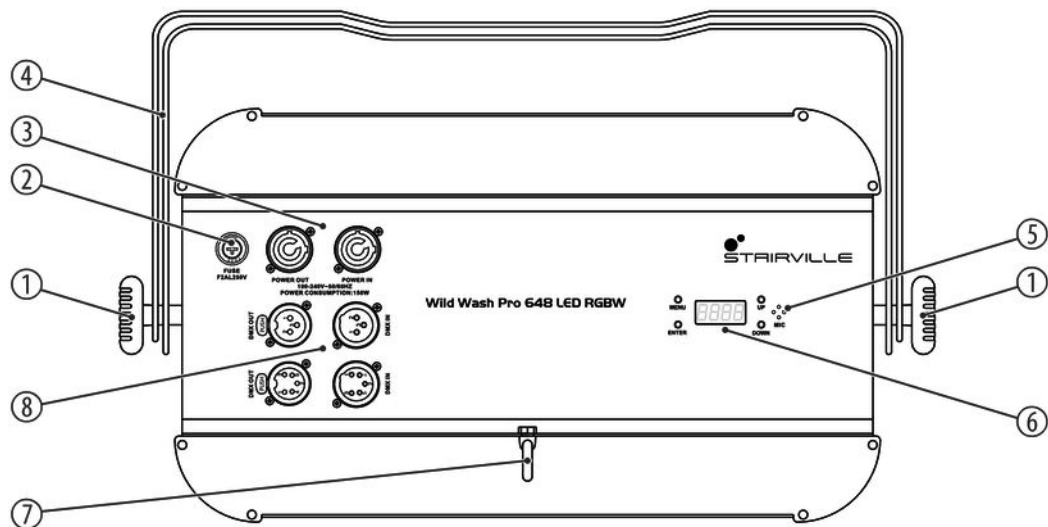
Connect the DMX input of the device to the DMX output of a DMX controller or another DMX device. Connect the output of the first DMX device to the input of the second one, and so on to form a daisy chain. Always ensure that the output of the last DMX device in the daisy chain is terminated with a resistor ($110\ \Omega$, $\frac{1}{4}\text{ W}$).



Connections in master/slave mode

When you configure a group of devices in master/slave mode, the first unit will control the other units for an automatic, sound-activated, synchronized show. This function is ideal when you want to start a show immediately. Connect the DMX output of the master device to the DMX input of the first slave device. Then connect the DMX output of the first slave device to the DMX input of the second slave device and so on.

6 Connections and controls



1	Locking screw for fixing the spotlight
2	<i>[FUSE]</i> Fuse holder
3	<i>[POWER IN]</i> Lockable input socket (Power Twist) for powering the device
	<i>[POWER OUT]</i> Lockable output socket (Power Twist) for powering a connected device. Max. output current for devices connected in series: 16 A
4	Two-piece bracket for hanging or floor setup
5	<i>[MIC]</i> Microphone for sound control
6	Display and control buttons
	<i>[MENU]</i> Activates the main menu and toggles between menu items.

	<i>[UP]</i> Increases the displayed value by one.
	<i>[DOWN]</i> Decreases the displayed value by one.
	<i>[ENTER]</i> Selects an option of the respective operating mode.
7	Safety cable eyelet.
8	<i>[DMX IN]</i> DMX input sockets, three- and five-pin
	<i>[DMX OUT]</i> DMX output sockets, three- and five-pin

7 Operating

7.1 Starting the device

- Connect the device to the power supply to start operation.
 - ⇒ The display shows the start screen with the last set operating parameters. The device is operational.

7.2 Navigating the menu

1. ➤ Press *[MENU]* to activate the main menu.
2. ➤ Press *[UP]* or *[DOWN]* to select a submenu or value.
3. ➤ When the display shows the desired submenu or value, press *[ENTER]*.
 - ⇒ The submenu opens or the new value is confirmed.
4. ➤ Press *[MENU]* to return to the parent menu level.

If you do not press any button for about 30 seconds, the display shows the starting screen. The set values are retained even when the device is disconnected from the mains power supply.

7.3 Main menu

Setting the DMX address

This setting is only relevant if the device is controlled via a DMX controller.

1. ➤ Press *[MENU]* to activate the main menu.
2. ➤ Press *[UP]* or *[DOWN]* until the display shows 'Dmx Address' and confirm the selection with *[ENTER]*.
3. ➤ Press *[UP]* or *[DOWN]* to select a value between 1 and 512 for the desired DMX address (display shows 'Address 001' ... 'Address 512') and confirm the selection with *[ENTER]*.

Make sure that this number matches the configuration of your DMX controller.

Setting operating mode "DMX"

This setting is only relevant if the device is controlled via a DMX controller.

1. ➤ Press *[MENU]* to activate the main menu.
2. ➤ Press *[UP]* or *[DOWN]* until the display shows 'Dmx Mode' and confirm the selection with *[ENTER]*.
3. ➤ Press *[UP]* or *[DOWN]* to select the desired DMX mode and confirm the selection with *[ENTER]*.

The following DMX modes are available:

Menu level 2	Description
'1CH'	1-channel mode
'2CH1'	2-channel mode, variant 1
'2CH2'	2-channel mode, variant 2
'3CH'	3-channel mode
'4CH'	4-channel mode
'5CH'	5-channel mode
'6CH'	6-channel mode

Menu level 2	Description
'9CH1'	9-channel mode, variant 1
'9CH2'	9-channel mode, variant 2
'16CH'	16-channel mode
'21CH1'	21-channel mode, variant 1
'21CH2'	21-channel mode, variant 2

Operating mode "Stand Alone"

This setting is only relevant if the device is not controlled via a DMX controller and not working as slave in a master / slave configuration. In this operating mode, the automatic programmes, colours and colour changes can be set.

1. ➤ Press *[MENU]* to activate the main menu.
2. ➤ Press *[UP]* or *[DOWN]* until the display shows 'Stand Alone' and confirm the selection with *[ENTER]*.
3. ➤ Press *[UP]* or *[DOWN]* to select the desired submenu and confirm the selection with *[ENTER]*.

The following sub menus are available:

Menu level 2	Menu level 3	Description
'Auto'	Automatic programmes	
	'Dimmer 000...255'	Intensity of LEDs from 0 % to 100 %
	'Speed 000...100'	Running speed from slow to fast
'Sound'	Sound control	
	'MIC Sens 00...99'	Microphone sensitivity for the sound control from low to high

Menu level 2	Menu level 3	Description
'Fade'	Gradual colour change	
	'Dimmer 000...255'	Intensity of LEDs from 0 % to 100 %
	'Speed 000...010'	Running speed from slow to fast
'Jump'	Colour change	
	'Dimmer 000...255'	Intensity of LEDs from 0 % to 100 %
	'Speed 000...010'	Running speed from slow to fast
'Colour Macro'	Selection of a basic colour or a preset mixed colour	
	'C.M Color Off'	Coloured LEDs switched off
	'C.M Red'	Red
	'C.M Amber'	Amber
	'C.M Yellow warm'	Warm yellow
	'C.M Yellow'	Yellow
	'C.M Green'	Green

Menu level 2	Menu level 3	Description
	'C.M Turquoise'	Turquoise
	'C.M Cyan'	Cyan
	'C.M Blue'	Blue
	'C.M Lavender'	Lavender
	'C.M Mauve'	Mauve
	'C.M Magenta'	Magenta
	'C.M Pink'	Pink
	'C.M Warm White'	Warm white
	'C.M White'	White
	'C.M Cold White'	Cold white
'User Color'	Setting an individual mixed colour	
	'Dimmer 000...255'	Intensity of LEDs from 0 % to 100 %
	'Strobe 000...255'	Strobe effect from slow to fast

Menu level 2	Menu level 3	Description
	'Red 000...255'	Intensity red from 0 % to 100 %
	'Green 000...255'	Intensity green from 0 % to 100 %
	'Blue 000...255'	Intensity blue from 0 % to 100 %
	'White 000...255'	Intensity white from 0 % to 100 %
'Tunable White'	Intensity and colour temperature white	
	'Dimmer 000...255'	Intensity from 0 % to 100 %
	'CCT 3000 K'	Colour temperature 3000 K (warm white)
	'CCT 3200 K'	Colour temperature 3200 K
	'CCT 3500 K'	Colour temperature 3500 K
	'CCT 4000 K'	Colour temperature 4000 K
	'CCT 4500 K'	Colour temperature 4500 K
	'CCT 5000 K'	Colour temperature 5000 K

Menu level 2	Menu level 3	Description
	'CCT 5600 K'	Colour temperature 5600 K
	'CCT 6000 K'	Colour temperature 6000 K
	'CCT 6500 K'	Colour temperature 6500 K
	'CCT 7000 K'	Colour temperature 7000 K (cold white)

Setting operating mode "Slave"

This setting is only relevant if the device is not controlled via a DMX controller.

1. ➤ Press *[MENU]* to activate the main menu.
2. ➤ Press *[UP]* or *[DOWN]* until the display shows 'Slave' and confirm the selection with *[ENTER]*.
3. ➤ Press *[ENTER]* and then *[UP]* or *[DOWN]* until the display shows 'Yes' and confirm the selection with *[ENTER]*.
 - ⇒ The device is in Slave mode. With correct cabling, it behaves exactly like the controlling master device.

System settings

1. ➤ Press *[MENU]* to activate the main menu.
2. ➤ Press *[UP]* or *[DOWN]* until the display shows 'System Setting' and confirm the selection with *[ENTER]*.
3. ➤ Press *[UP]* or *[DOWN]* to select the desired submenu and confirm the selection with *[ENTER]*.
4. ➤ The following sub menus are available:

Menu level 2	Menu level 3	Description
'Dmx Fail'	Device behaviour on DMX control failure	
	'Dmx Fail Hold'	If the DMX control fails, the last setting is retained.
	'Dmx Fail Blackout'	If the DMX control fails, the device is blacked out.
	'Dmx Fail Em.Lt'	If the DMX control fails, an emergency Light kicks in.
'Dimmer Frequency'	PWM setting	

Menu level 2	Menu level 3	Description
	'Freq 900Hz'	900 Hz
	'Freq 1200Hz'	1200 Hz
	'Freq 2000Hz'	2000 Hz
	'Freq 3600Hz'	3600 Hz
	'Freq 12KHz'	12 kHz
	'Freq 25KHz'	25 kHz
'Dimmer Curve'	Setting the dimmer curve	
	'Curve Linear'	Linear course
	'Curve Exponential'	Exponential course
	'Logarithmic'	Logarithmic course
	'S Curve'	S-curve shaped course
'Dimmer Response'	Dimmer response	

Menu level 2	Menu level 3	Description
	'Response LED'	The dimmer setting for LED is activated.
	'Response Halogen'	The imitation of the dimming behaviour for incandescent light is activated.
'White Balance'	White balance	
	'Red 000...255'	Setting the red proportion
	'Green 000...255'	Setting the green proportion
	'Blue 000...255'	Setting the blue proportion
	'White 000...255'	Setting the white proportion
'Display Reverse'	Display reversion	
	'Reverse On'	The display of the device is rotated by 180 °.
	'Reverse OFF'	The display of the device is in the standard orientation.

Menu level 2	Menu level 3	Description
'Display Backlight'	Backlight of the display	
	'Backlight On'	The backlight of the display is permanently activated.
	'Backlight OFF'	The backlight of the display goes out after one minute.
'Auto Lock'	Key lock	
	'Auto Lock On'	The key lock is activated. All buttons have no function after 60 seconds. To cancel the key lock, press simultaneously [UP] and [DOWN] for 5 seconds.
	'Auto Lock OFF'	The key lock is deactivated.
'Factory Reset'	Resetting the device to factory settings	

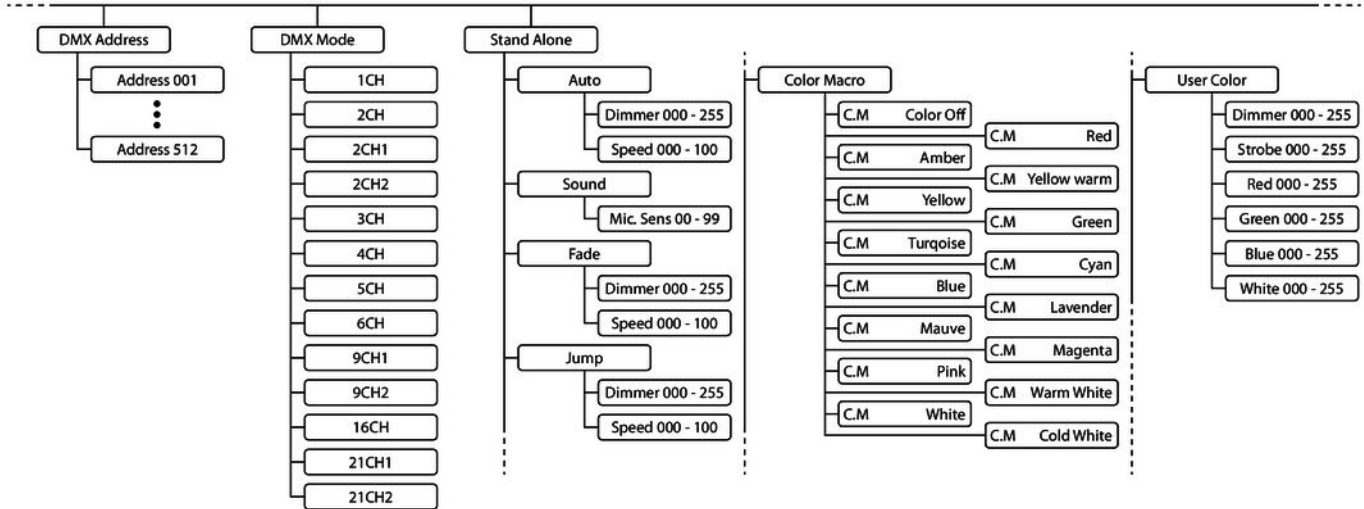
Menu level 2	Menu level 3	Description
	<i>'Reset No'</i>	The device settings remain unchanged.
	<i>'Reset Yes'</i>	The device is reset to factory default settings.

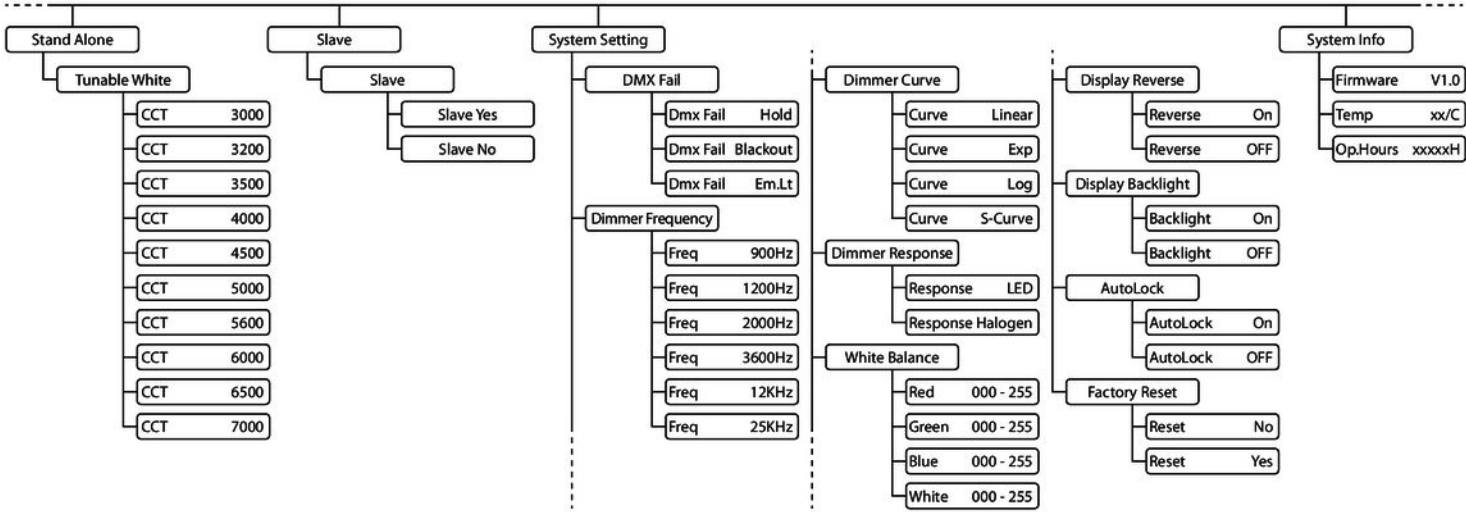
System information

1. ➤ Press *[MENU]* to activate the main menu.
2. ➤ Press *[UP]* or *[DOWN]* until the display shows 'System Info' and confirm the selection with *[ENTER]*.
3. ➤ Press *[UP]* or *[DOWN]* to select the desired submenu and confirm the selection with *[ENTER]*.
4. ➤ The following sub menus are available:

Menu level 2	Description
'Firmwre'	The current firmware version is displayed.
'Temp'	The current LED temperature is displayed.
'Op.Hours'	The number of operating hours is displayed.

7.4 Menu overview





Wild Wash Pro 648 RGBW

7.5 Functions in DMX mode 1ch

Channel	Value	Function
1	Strobe	
	000 ... 005	LEDs on
	006 ... 010	LEDs off (blackout)
	011 ... 033	Impulses, increasing speed
	034 ... 056	Increasing brightness, increasing speed
	057 ... 0079	Decreasing brightness, increasing speed
	080 ... 102	Random Strobe effect, increasing speed
	103 ... 127	Burst strobe, 5 s to 1 s
	128 ... 250	Strobe effect, speed increasing from 1 Hz to 20 Hz
	251 ... 255	LEDs on

7.6 Functions in DMX mode 2Ch-1

Channel	Value	Function
1	000... 255	Dimmer (0 % to 100 %)
2	Colour macro	
	000 ... 005	LEDs off (blackout)
	006 ... 013	Red
	014 ... 021	Amber
	022 ... 029	Warm yellow
	030 ... 037	Yellow
	038 ... 045	Green
	046 ... 053	Turquoise
	054 ... 061	Cyan
	062 ... 069	Blue

Channel	Value	Function
	070 ... 077	Lavender
	78 ... 85	Mauve
	086 ... 093	Magenta
	094 ... 101	Pink
	102 ... 109	Warm white
	110 ... 117	White
	118 ... 125	Cold white
	126 ... 128	Red
	129 ... 192	Colour change from colour 1 to colour 12, speed increasing
	193 ... 255	Gradual colour change from colour 1 to colour 12, speed increasing

7.7 Functions in DMX mode 2Ch-2

Channel	Value	Function
1	000... 255	Dimmer (0 % to 100 %)
2	Strobe	
	000 ... 005	LEDs on
	006 ... 010	LEDs off (blackout)
	011 ... 033	Impulses, increasing speed
	034 ... 056	Increasing brightness, increasing speed
	057 ... 0079	Decreasing brightness, increasing speed
	080 ... 102	Random Strobe effect, increasing speed
	103 ... 127	Burst strobe, 5 s to 1 s
	128 ... 250	Strobe effect, speed increasing from 1 Hz to 20 Hz
	251 ... 255	LEDs on

7.8 Functions in DMX mode 3Ch

Channel	Value	Function
1	000... 255	Dimmer (0 % to 100 %)
2	Strobe	
	000 ... 005	LEDs on
	006 ... 010	LEDs off (blackout)
	011 ... 033	Impulses, increasing speed
	034 ... 056	Increasing brightness, increasing speed
	057 ... 0079	Decreasing brightness, increasing speed
	080 ... 102	Random Strobe effect, increasing speed
	103 ... 127	Burst strobe, 5 s to 1 s
	128 ... 250	Strobe effect, speed increasing from 1 Hz to 20 Hz
	251 ... 255	LEDs on

Channel	Value	Function
3	Constant strobe pulses	
	000... 255	Strobe impulse duration, increasing from 1 ms to 510 ms

7.9 Functions in DMX mode 4Ch

Channel	Value	Function
1	000... 255	Intensity red (0 % to 100 %)
2	000... 255	Intensity green (0 % to 100 %)
3	000... 255	Intensity blue (0 % to 100 %)
4	000... 255	Intensity white (0 % to 100 %)

7.10 Functions in DMX mode 5Ch

Channel	Value	Function
1	0 ... 255	Dimmer (0 % to 100 %)
2	Strobe	
	000 ... 005	LEDs on
	006 ... 010	LEDs off (blackout)
	011 ... 033	Impulses, increasing speed
	034 ... 056	Increasing brightness, increasing speed
	057 ... 0079	Decreasing brightness, increasing speed
	080 ... 102	Random Strobe effect, increasing speed
	103 ... 127	Burst strobe, 5 s to 1 s
	128 ... 250	Strobe effect, speed increasing from 1 Hz to 20 Hz
	251 ... 255	LEDs on

Channel	Value	Function
3	Dimmer patterns	
	000... 016	No function
	017... 034	Pattern 1
	035... 048	Pattern 2
	049... 060	Pattern 3
	061... 073	Pattern 4
	074... 086	Pattern 5
	087... 099	Pattern 6
	100... 112	Pattern 7
	113... 125	Pattern 8
	126... 138	Pattern 9
	139... 151	Pattern 10
152... 164	Pattern 11	

Channel	Value	Function
	165... 177	Pattern 12
	178... 190	Pattern 13
	191... 203	Pattern 14
	204... 216	Pattern 15
	217... 229	Pattern 16
	230... 242	Pattern 17
	243... 255	Pattern 18
4	Running speed dimmer patterns	
	000... 127	Change, increasing speed
	128... 255	Gradual transient, increasing speed
5	Colour macro	
	000 ... 005	LEDs off (blackout)
	006 ... 013	Red

Channel	Value	Function
	014 ... 021	Amber
	022 ... 029	Warm yellow
	030 ... 037	Yellow
	038 ... 045	Green
	046 ... 053	Turquoise
	054 ... 061	Cyan
	062 ... 069	Blue
	070 ... 077	Lavender
	078 ... 085	Mauve
	086 ... 093	Magenta
	094 ... 101	Pink
	102 ... 109	Warm white
	110 ... 117	White

Channel	Value	Function
	118 ... 125	Cold white
	126 ... 128	Red
	129 ... 192	Colour change from colour 1 to colour 12, speed increasing
	193 ... 255	Gradual colour change from colour 1 to colour 12, speed increasing

7.11 Functions in DMX mode 6Ch

Channel	Value	Function
1	0 ... 255	Dimmer (0 % to 100 %)
2	Strobe	
	000 ... 005	LEDs on
	006 ... 010	LEDs off (blackout)
	011 ... 033	Impulses, increasing speed
	034 ... 056	Increasing brightness, increasing speed
	057 ... 0079	Decreasing brightness, increasing speed
	080 ... 102	Random Strobe effect, increasing speed
	103 ... 127	Burst strobe, 5 s to 1 s
	128 ... 250	Strobe effect, speed increasing from 1 Hz to 20 Hz
	251 ... 255	LEDs on

Channel	Value	Function
3	Dimmer patterns	
	000... 016	No function
	017... 034	Pattern 1
	035... 048	Pattern 2
	049... 060	Pattern 3
	061... 073	Pattern 4
	074... 086	Pattern 5
	087... 099	Pattern 6
	100... 112	Pattern 7
	113... 125	Pattern 8
	126... 138	Pattern 9
	139... 151	Pattern 10
152... 164	Pattern 11	

Channel	Value	Function
	165... 177	Pattern 12
	178... 190	Pattern 13
	191... 203	Pattern 14
	204... 216	Pattern 15
	217... 229	Pattern 16
	230... 242	Pattern 17
	243... 255	Pattern 18
4	Running speed dimmer patterns	
	000... 127	Change, increasing speed
	128... 255	Gradual transient, increasing speed
5	Colour macro	
	000 ... 005	LEDs off (blackout)
	006 ... 013	Red

Channel	Value	Function
	014 ... 021	Amber
	022 ... 029	Warm yellow
	030 ... 037	Yellow
	038 ... 045	Green
	046 ... 053	Turquoise
	054 ... 061	Cyan
	062 ... 069	Blue
	070 ... 077	Lavender
	078 ... 085	Mauve
	086 ... 093	Magenta
	094 ... 101	Pink
	102 ... 109	Warm white
	110 ... 117	White

Channel	Value	Function
	118 ... 125	Cold white
	126 ... 128	Red
	129 ... 192	Colour change from colour 1 to colour 12, speed increasing
	193 ... 255	Gradual colour change from colour 1 to colour 12, speed increasing
6	Sound control	
	000 ... 005	Sound control off
	006 ... 255	Sound control on, increasing sensitivity

7.12 Functions in DMX mode 9Ch-1

Channel	Value	Function
1	0 ... 255	Dimmer (0 % to 100 %)
2	Strobe	
	000 ... 005	LEDs on
	006 ... 010	LEDs off (blackout)
	011 ... 033	Impulses, increasing speed
	034 ... 056	Increasing brightness, increasing speed
	057 ... 0079	Decreasing brightness, increasing speed
	080 ... 102	Random Strobe effect, increasing speed
	103 ... 127	Burst strobe, 5 s to 1 s
	128 ... 250	Strobe effect, speed increasing from 1 Hz to 20 Hz
	251 ... 255	LEDs on

Channel	Value	Function
3	Dimmer patterns	
	000... 016	No function
	017... 034	Pattern 1
	035... 048	Pattern 2
	049... 060	Pattern 3
	061... 073	Pattern 4
	074... 086	Pattern 5
	087... 099	Pattern 6
	100... 112	Pattern 7
	113... 125	Pattern 8
	126... 138	Pattern 9
	139... 151	Pattern 10
152... 164	Pattern 11	

Channel	Value	Function
	165... 177	Pattern 12
	178... 190	Pattern 13
	191... 203	Pattern 14
	204... 216	Pattern 15
	217... 229	Pattern 16
	230... 242	Pattern 17
	243... 255	Pattern 18
4	Running speed dimmer patterns	
	000... 127	Change, increasing speed
	128... 255	Gradual transient, increasing speed
5	000... 255	Intensity red (0 % to 100 %)
6	000... 255	Intensity green (0 % to 100 %)
7	000... 255	Intensity blue (0 % to 100 %)

Channel	Value	Function
8	000... 255	Intensity white (0 % to 100 %)
9	Sound control	
	000 ... 005	Sound control off
	006 ... 255	Sound control on, increasing sensitivity

7.13 Functions in DMX mode 9Ch-2

Channel	Value	Function
1	0 ... 255	Dimmer (0 % to 100 %)
2	Strobe	
	000 ... 005	LEDs on
	006 ... 010	LEDs off (blackout)
	011 ... 033	Impulses, increasing speed
	034 ... 056	Increasing brightness, increasing speed
	057 ... 0079	Decreasing brightness, increasing speed
	080 ... 102	Random Strobe effect, increasing speed
	103 ... 127	Burst strobe, 5 s to 1 s
	128 ... 250	Strobe effect, speed increasing from 1 Hz to 20 Hz
	251 ... 255	LEDs on

Channel	Value	Function
3	Constant strobe pulse	
	000... 255	Strobe impulse duration, increasing from 1 ms to 510 ms
4	Dimmer patterns	
	000... 016	No function
	017... 034	Pattern 1
	035... 048	Pattern 2
	049... 060	Pattern 3
	061... 073	Pattern 4
	074... 086	Pattern 5
	087... 099	Pattern 6
	100... 112	Pattern 7
	113... 125	Pattern 8
	126... 138	Pattern 9

Channel	Value	Function
	139... 151	Pattern 10
	152... 164	Pattern 11
	165... 177	Pattern 12
	178... 190	Pattern 13
	191... 203	Pattern 14
	204... 216	Pattern 15
	217... 229	Pattern 16
	230... 242	Pattern 17
	243... 255	Pattern 18
5	Running speed dimmer patterns	
	000... 127	Change, increasing speed
	128... 255	Gradual transient, increasing speed
6	000... 255	Intensity red (0 % to 100 %)

Channel	Value	Function
7	000... 255	Intensity green (0 % to 100 %)
8	000... 255	Intensity blue (0 % to 100 %)
9	000... 255	Intensity white (0 % to 100 %)

7.14 Functions in DMX mode 16Ch

Channel	Value	Function
1	000... 255	Intensity red, segment 1 (0 % to 100 %)
2	000... 255	Intensity green, segment 1 (0 % to 100 %)
3	000... 255	Intensity blue, segment 1 (0 % to 100 %)
4	000... 255	Intensity white, segment 1 (0 % to 100 %)
5	000... 255	Intensity red, segment 2 (0 % to 100 %)
6	000... 255	Intensity green, segment 2 (0 % to 100 %)
7	000... 255	Intensity blue, segment 2 (0 % to 100 %)
8	000... 255	Intensity white, segment 2 (0 % to 100 %)
9	000... 255	Intensity red, segment 3 (0 % to 100 %)
10	000... 255	Intensity green, segment 3 (0 % to 100 %)
11	000... 255	Intensity blue, segment 3 (0 % to 100 %)

Channel	Value	Function
12	000... 255	Intensity white, segment 3 (0 % to 100 %)
13	000... 255	Intensity red, segment 4 (0 % to 100 %)
14	000... 255	Intensity green, segment 4 (0 % to 100 %)
15	000... 255	Intensity blue, segment 4 (0 % to 100 %)
16	000... 255	Intensity white, segment 4 (0 % to 100 %)

7.15 Functions in DMX mode 21Ch-1

Channel	Value	Function
1	0 ... 255	Dimmer (0 % to 100 %)
2	Strobe	
	000 ... 005	LEDs on
	006 ... 010	LEDs off (blackout)
	011 ... 033	Impulses, increasing speed
	034 ... 056	Increasing brightness, increasing speed
	057 ... 0079	Decreasing brightness, increasing speed
	080 ... 102	Random Strobe effect, increasing speed
	103 ... 127	Burst strobe, 5 s to 1 s
	128 ... 250	Strobe effect, speed increasing from 1 Hz to 20 Hz
	251 ... 255	LEDs on

Channel	Value	Function
3	Dimmer patterns	
	000... 016	No function
	017... 034	Pattern 1
	035... 048	Pattern 2
	049... 060	Pattern 3
	061... 073	Pattern 4
	074... 086	Pattern 5
	087... 099	Pattern 6
	100... 112	Pattern 7
	113... 125	Pattern 8
	126... 138	Pattern 9
	139... 151	Pattern 10
152... 164	Pattern 11	

Channel	Value	Function
	165... 177	Pattern 12
	178... 190	Pattern 13
	191... 203	Pattern 14
	204... 216	Pattern 15
	217... 229	Pattern 16
	230... 242	Pattern 17
	243... 255	Pattern 18
4	Running speed dimmer patterns	
	000... 127	Change, increasing speed
	128... 255	gradual transient, increasing speed
5	000... 255	Intensity red, segment 1 (0 % to 100 %)
6	000... 255	Intensity green, segment 1 (0 % to 100 %)
7	000... 255	Intensity blue, segment 1 (0 % to 100 %)

Channel	Value	Function
8	000... 255	Intensity white, segment 1 (0 % to 100 %)
9	000... 255	Intensity red, segment 2 (0 % to 100 %)
10	000... 255	Intensity green, segment 2 (0 % to 100 %)
11	000... 255	Intensity blue, segment 2 (0 % to 100 %)
12	000... 255	Intensity white, segment 2 (0 % to 100 %)
13	000... 255	Intensity red, segment 3 (0 % to 100 %)
14	000... 255	Intensity green, segment 3 (0 % to 100 %)
15	000... 255	Intensity blue, segment 3 (0 % to 100 %)
16	000... 255	Intensity white, segment 3 (0 % to 100 %)
17	000... 255	Intensity red, segment 4 (0 % to 100 %)
18	000... 255	Intensity green, segment 4 (0 % to 100 %)
19	000... 255	Intensity blue, segment 4 (0 % to 100 %)
20	000... 255	Intensity white, segment 4 (0 % to 100 %)

Channel	Value	Function
21	Sound control	
	000 ... 005	Sound control off
	006 ... 255	Sound control on, increasing sensitivity

7.16 Functions in DMX mode 21Ch-2

Channel	Value	Function
1	0 ... 255	Dimmer (0 % to 100 %)
2	Strobe	
	000 ... 005	LEDs on
	006 ... 010	LEDs off (blackout)
	011 ... 033	Impulses, increasing speed
	034 ... 056	Increasing brightness, increasing speed
	057 ... 0079	Decreasing brightness, increasing speed
	080 ... 102	Random Strobe effect, increasing speed
	103 ... 127	Burst strobe, 5 s to 1 s
	128 ... 250	Strobe effect, speed increasing from 1 Hz to 20 Hz
	251 ... 255	LEDs on

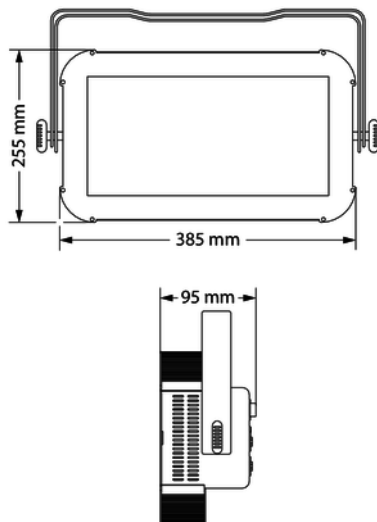
Channel	Value	Function
3	Constant strobe pulse	
	000... 255	Strobe impulse duration, increasing from 1 ms to 510 ms
4	Dimmer patterns	
	000... 016	No function
	017... 034	Pattern 1
	035... 048	Pattern 2
	049... 060	Pattern 3
	061... 073	Pattern 4
	074... 086	Pattern 5
	087... 099	Pattern 6
	100... 112	Pattern 7
	113... 125	Pattern 8
	126... 138	Pattern 9

Channel	Value	Function
	139... 151	Pattern 10
	152... 164	Pattern 11
	165... 177	Pattern 12
	178... 190	Pattern 13
	191... 203	Pattern 14
	204... 216	Pattern 15
	217... 229	Pattern 16
	230... 242	Pattern 17
	243... 255	Pattern 18
5	Running speed dimmer patterns	
	000... 127	Change, increasing speed
	128... 255	gradual transient, increasing speed
6	000... 255	Intensity red, segment 1 (0 % to 100 %)

Channel	Value	Function
7	000... 255	Intensity green, segment 1 (0 % to 100 %)
8	000... 255	Intensity blue, segment 1 (0 % to 100 %)
9	000... 255	Intensity white, segment 1 (0 % to 100 %)
10	000... 255	Intensity red, segment 2 (0 % to 100 %)
11	000... 255	Intensity green, segment 2 (0 % to 100 %)
12	000... 255	Intensity blue, segment 2 (0 % to 100 %)
13	000... 255	Intensity white, segment 2 (0 % to 100 %)
14	000... 255	Intensity red, segment 3 (0 % to 100 %)
15	000... 255	Intensity green, segment 3 (0 % to 100 %)
16	000... 255	Intensity blue, segment 3 (0 % to 100 %)
17	000... 255	Intensity white, segment 3 (0 % to 100 %)
18	000... 255	Intensity red, segment 4 (0 % to 100 %)
19	000... 255	Intensity green, segment 4 (0 % to 100 %)

Channel	Value	Function
20	000... 255	Intensity blue, segment 4 (0 % to 100 %)
21	000... 255	Intensity white, segment 4 (0 % to 100 %)

8 Technical specifications



Light source	648 × 4in1 RGBW SMD LEDs, 0,2 W each	
Optical properties	Beam angle	75°
Control	DMX, buttons and display on the unit	
Number of DMX channels	1, 2-1, 2-2, 3, 4, 5, 6, 9-1, 9-2, 16, 21-1, 21-2	
Input connections	Voltage supply	Lockable input socket (Power Twist)
	DMX control	XLR chassis plug, 3-pin XLR chassis plug, 5-pin
Output connections	Voltage supply	Lockable output socket (Power Twist) Output current 16 A max.
	DMX control	XLR chassis socket, 3-pin XLR chassis socket, 5-pin

Power consumption	150 W	
Operating supply voltage	100 - 240 V ~ 50/60 Hz	
Fuse	5 mm × 20 mm, 2 A, 250 V, fast-acting	
Protection class	IP20	
Mounting options	hanging, standing Holder for optional omega bracket	
Dimensions (W × H × D)	385 mm × 255 mm × 95 mm	
Weight	3.25 kg	
Ambient conditions	Temperature range	0 °C...40 °C
	Relative humidity	50 %, non-condensing

Further information

Outdoor capable	No
Colour mixture	RGBW
LED type	SMD
Floor housing	Yes
Fanless	No
Remote control	Not possible
wireless DMX	No
Housing colour	black

9 Plug and connection assignment

Introduction

This chapter will help you select the right cables and plugs to connect your valuable equipment so that a perfect light experience is guaranteed.

Please take our tips, because especially in 'Sound & Light' caution is indicated: Even if a plug fits into a socket, the result of an incorrect connection may be a destroyed DMX controller, a short circuit or 'just' a not working light show!

DMX connections



The unit offers a 3-pin XLR socket for DMX output and a 3-pin XLR plug for DMX input. Please refer to the drawing and table below for the pin assignment of a suitable XLR plug.

Pin	Configuration
1	Ground, shielding
2	Signal inverted (DMX-, 'cold signal')
3	Signal (DMX+, 'hot signal')

DMX connections



A five-pin XLR socket serves as DMX output, a five-pin XLR plug serves as DMX input. The drawing below and the table show the pin assignment of a matching coupling.

Pin	Assignment
1	Ground (shielding)
2	Signal inverted (DMX-, 'cold')
3	Signal (DMX+, 'hot')
4	unused / second connection (DMX-)
5	unused / second connection (DMX+)

10 Troubleshooting



NOTICE!

Possible data transmission errors

For error-free operation make use of dedicated DMX cables and do not use ordinary microphone cables.

Never connect the DMX input or output to audio devices such as mixers or amplifiers.

In the following we list a few common problems that may occur during operation. We give you some suggestions for easy troubleshooting:

Symptom	Remedy
The unit does not work, no light, the display is dark	Check the mains connection and the main fuse.
Apparently no function despite proper power supply	Check if the unit is in DMX mode or in 'slave' mode. If so, check the unit in another mode.
No response to the DMX controller	<ol style="list-style-type: none">1. Check whether the DMX controller is switched on. Check the DMX connectors and cables for proper connection.2. Check the address settings and the DMX polarity.3. Try using another DMX controller.4. Check whether the DMX cables run near or parallel to high-voltage cables that may cause damage or interference to a DMX interface circuit.

If the procedures recommended above do not succeed, please contact our Service Center. You can find the contact information at www.thomann.de.

11 Cleaning

Optical lenses

Clean the optical lenses, that are accessible from the outside, regularly in order to optimize the light output. The frequency of cleaning depends on the operating environment: wet, smoky or particularly dirty surroundings can cause more accumulation of dirt on the optics of the device.

- Clean with a soft cloth using our lamp and lens cleaner (item no. 280122).
- Always dry the parts carefully.

Fan grids

The fan grids of the device must be cleaned of any contamination, such as dust, etc. on a regular basis. Before cleaning, switch off the device and disconnect mains-operated devices from the mains. Only use pH-neutral, solvent-free and non-abrasive cleaning agents. Clean the unit with a slightly damp lint-free cloth.

12 Protecting the environment

Disposal of the packaging material



For the transport and protective packaging, environmentally friendly materials have been chosen that can be supplied to normal recycling.

Ensure that plastic bags, packaging, etc. are properly disposed of.

Do not just dispose of these materials with your normal household waste, but make sure that they are collected for recycling. Please follow the notes and markings on the packaging.

Disposal of your old device



This product is subject to the European Waste Electrical and Electronic Equipment Directive (WEEE) in its currently valid version. Do not dispose with your normal household waste.

Dispose of this device through an approved waste disposal firm or through your local waste facility. When discarding the device, comply with the rules and regulations that apply in your country. If in doubt, consult your local waste disposal facility.



Musikhaus Thomann · Hans-Thomann-Straße 1 · 96138 Burgebrach · Germany · www.thomann.de