

ignition

WAL-L310 Par,  
WAL-L710 Par,  
WAL-L710 Par W-DMX

LED PAR

Musikhaus Thomann  
Thomann GmbH  
Hans-Thomann-Straße 1  
96138 Burgebrach  
Germany  
Telephone: +49 (0) 9546 9223-0  
E-mail: [info@thomann.de](mailto:info@thomann.de)  
Internet: [www.thomann.de](http://www.thomann.de)

02.11.2020, ID: 474388 (SW V2.0), 474390 (SW V2.0), 477173 (SW V2.6) - document V2

# Table of contents

<b>1</b>	<b>General information</b> .....	<b>6</b>
	1.1 Further information.....	7
	1.2 Notational conventions.....	8
	1.3 Symbols and signal words.....	9
<b>2</b>	<b>Safety instructions</b> .....	<b>12</b>
<b>3</b>	<b>Features</b> .....	<b>18</b>
<b>4</b>	<b>Installation</b> .....	<b>20</b>
<b>5</b>	<b>Starting up</b> .....	<b>24</b>
<b>6</b>	<b>Connections and controls</b> .....	<b>27</b>
<b>7</b>	<b>Operating</b> .....	<b>33</b>
	7.1 Starting the device.....	33
	7.2 Operating on the unit.....	33
	7.3 Menu overview.....	57
	7.4 Functions in 4-channel DMX mode.....	58
	7.5 Functions in 6-channel DMX mode.....	59

7.6	Functions in 9-channel DMX mode.....	60
<b>8</b>	<b>Technical specifications.....</b>	<b>66</b>
<b>9</b>	<b>Plug and connection assignment.....</b>	<b>72</b>
<b>10</b>	<b>Troubleshooting.....</b>	<b>73</b>
<b>11</b>	<b>Cleaning.....</b>	<b>75</b>
<b>12</b>	<b>Protecting the environment.....</b>	<b>76</b>



WAL-L310 Par, WAL-L710 Par, WAL-L710 Par W-DMX  
LED PAR

# 1 General information

This user manual contains important information on the safe operation of the device. Read and follow all safety notes and all instructions. Save this manual for future reference. Make sure that it is available to all persons using this device. If you sell the device to another user, be sure that they also receive this manual.

Our products and user manuals are subject to a process of continuous development. We therefore reserve the right to make changes without notice. Please refer to the latest version of the user manual which is ready for download under [www.thomann.de](http://www.thomann.de).

## 1.1 Further information

On our website ([www.thomann.de](http://www.thomann.de)) you will find lots of further information and details on the following points:

Download	This manual is also available as PDF file for you to download.
Keyword search	Use the search function in the electronic version to find the topics of interest for you quickly.
Online guides	Our online guides provide detailed information on technical basics and terms.
Personal consultation	For personal consultation please contact our technical hotline.
Service	If you have any problems with the device the customer service will gladly assist you.

## 1.2 Notational conventions

This manual uses the following notational conventions:

### Letterings

The letterings for connectors and controls are marked by square brackets and italics.

**Examples:** *[VOLUME]* control, *[Mono]* button.

### Displays

Texts and values displayed on the device are marked by quotation marks and italics.

**Examples:** *'24ch'*, *'OFF'*.



## Instructions



The individual steps of an instruction are numbered consecutively. The result of a step is indented and highlighted by an arrow.




### Example:

1. ▶ Switch on the device.
2. ▶ Press *[Auto]*.
  - ⇒ Automatic operation is started.
3. ▶ Switch off the device.

## 1.3 Symbols and signal words

In this section you will find an overview of the meaning of symbols and signal words that are used in this manual.

Signal word	Meaning
<b>DANGER!</b>	This combination of symbol and signal word indicates an immediate dangerous situation that will result in death or serious injury if it is not avoided.
<b>WARNING!</b>	This combination of symbol and signal word indicates a possible dangerous situation that can result in death or serious injury if it is not avoided.
<b>NOTICE!</b>	This combination of symbol and signal word indicates a possible dangerous situation that can result in material and environmental damage if it is not avoided.
Warning signs	Type of danger
	Warning – high-voltage.
	Warning – hot surface.

Warning signs	Type of danger
	Warning – dangerous optical radiation.
	Warning – suspended load.
	Warning – danger zone.

## 2 Safety instructions

### **Intended use**

This device is intended for use as an electronic lighting effect by means of LED technology. The device is designed for professional use and is not suitable for use in households. Use the device only as described in this user manual. Any other use or use under other operating conditions is considered to be improper and may result in personal injury or property damage. No liability will be assumed for damages resulting from improper use.

This device may be used only by persons with sufficient physical, sensorial, and intellectual abilities and having corresponding knowledge and experience. Other persons may use this device only if they are supervised or instructed by a person who is responsible for their safety.

Extend the life of the device by regular breaks in operation and avoid switching it on and off frequently. This device is not suitable for continuous use.

**Safety****DANGER!****Danger for children**

Ensure that plastic bags, packaging, etc. are disposed of properly and are not within reach of babies and young children. Choking hazard!

Ensure that children do not detach any small parts (e.g. knobs or the like) from the unit. They could swallow the pieces and choke!

Never let children unattended use electrical devices.

**DANGER!****Electric shock caused by short-circuit**

Always use proper ready-made insulated mains cabling (power cord). Do not modify the mains cable. Failure to do so could result in electric shock/death or fire. If in doubt, seek advice from a registered electrician.



**DANGER!**

**Electric shock caused by short-circuit**

Do not modify the mains cable or the plug. Failure to do so could result in electric shock/death or fire. If in doubt, seek advice from a registered electrician.



**DANGER!**

**Electric shock caused by high voltages inside**

Within the device there are areas where high voltages may be present. Never remove any covers.

There are no user-serviceable parts inside.

Do not use the device if covers, protectors or optical components are missing or damaged.



**WARNING!**

**Eye damage caused by high light intensity**

Never look directly into the light source.



**WARNING!**

**Risk of epileptic shock**

Strobe lighting can trigger seizures in photosensitive epilepsy. Sensitive persons should avoid looking at strobe lights.



**WARNING!**

**Risk of burns**

The surface of the device can become very hot during operation.

Do not touch the device with bare hands during operation, and after switching off wait for at least 15 minutes.



### **NOTICE!**

#### **Risk of fire**

Do not block areas of ventilation. Do not install the device near any direct heat source. Keep the device away from naked flames.



### **NOTICE!**

#### **Power supply**

Before connecting the device, ensure that the input voltage (AC outlet) matches the voltage rating of the device and that the AC outlet is protected by a residual current circuit breaker. Failure to do so could result in damage to the device and possibly injure the user.

Unplug the device before electrical storms occur and when it is unused for long periods of time to reduce the risk of electric shock or fire.





**NOTICE!**

**Fire hazard due to exceedance of the maximum current**

The device can power other devices. The current consumption of all serially connected other devices must not exceed the values indicated in the technical specifications, otherwise you risk injuries and irreparable damages of the device.

Connect just so many devices to the output socket that the maximum current consumption is not exceeded.

Ensure the correct dimensioning (wire cross section) of the used power cords of all serially connected devices.

### 3 Features

Splashproof LED PAR, ideal for atmosphere illumination for outdoor use, for illumination of buildings and stages.

Special features of the device:

- item number 474388: 3 × 4in1 LEDs (RGBW, 10 W each)
- Item number 474390 and 477173: 7 × 4in1 LEDs (RGBW, 10 W each)
- Control via DMX, via RDM as well as via buttons and display on the unit
- Built-in automatic show programmes
- Customized shows
- Master / Slave operation
- Protection class IP65
- Sturdy double bracket for secure attachment to trusses or firm footing on the ground
- Omega bracket with Quick-Lock fastener

Ignition WAL-L710 Par W-DMX (item no. 477173) in addition:

- Built-in wireless solution receiver module (G5) for wireless control
- Barn door, diffusion filter 25° and diffusion filter 40° optionally available

**Remote Device Management (RDM)**

The device supports RDM protocol communication (Remote Device Management) according to ANSI / ESTA E1.20. It can exchange information with an RDM-compatible controller. Also observe the instruction manual of the controller.

**Information about protection class IP65**

Equipment with protection class IP65 are dust-tight and completely protected against contact (first code number). They are also protected against splash water from any angle (second code digit). That is why this equipment can also be used outdoors. Event technology equipment is generally only designed for temporary use however (event lighting) and not for permanent use outdoors.

The specified protection class does not make a statement about the weather resistance of the equipment (resistance to changing ambient conditions as well as against the effects of sunlight and UV rays).

The seals and screw connections of the equipment must be checked regularly to ensure a fault-free operation. In cases of doubt, consult a specialist workshop in due time.

For technological reasons, the light output of LEDs decreases over their lifetime. This effect increases with higher operating temperature. You can extend the service life of the illuminants by providing adequate ventilation and operating the LEDs with the lowest possible brightness.

## 4 Installation

Unpack and check carefully there is no transportation damage before using the unit. Keep the equipment packaging. To fully protect the product against vibration, dust and moisture during transportation or storage use the original packaging or your own packaging material suitable for transport or storage, respectively.



**WARNING!**

**Risk of injury caused by falling objects**

Make sure that the installation complies with the standards and rules that apply in your country. Always secure the device with a secondary safety attachment, such as a safety cable or a safety chain.



**NOTICE!**

**Risk of overheating**

Always ensure sufficient ventilation.

The ambient temperature must not exceed the limits stated in the chapter Technical Specifications of the User Manual.



**NOTICE!**

**Use of stands**

When mounting the device onto a stand, ensure that the stand is in a safe and stable position and that the weight of the device does not exceed the maximum permissible load capacity of the stand.



### **NOTICE!**

#### **Possible data transmission errors**

For error-free operation make use of dedicated DMX cables and do not use ordinary microphone cables.

Never connect the DMX input or output to audio devices such as mixers or amplifiers.



### **NOTICE!**

#### **Possible damage due to moisture**

Moisture entering into open connectors (plugs and couplers) of DMX or power cords can cause short circuits.

Close unused connectors with end caps intended for this purpose ([www.thomann.de](http://www.thomann.de)).

## Mounting options

You can install the unit in hanging or standing position. When in use, the device must always be attached to a solid surface or an approved truss. Use the openings provided on the two-piece bracket for attaching.

Always work from a stable platform whenever installing, moving or servicing the unit. In doing so, the area underneath the unit must be cordoned off.



*Please note that this device must not be connected to a dimmer.*

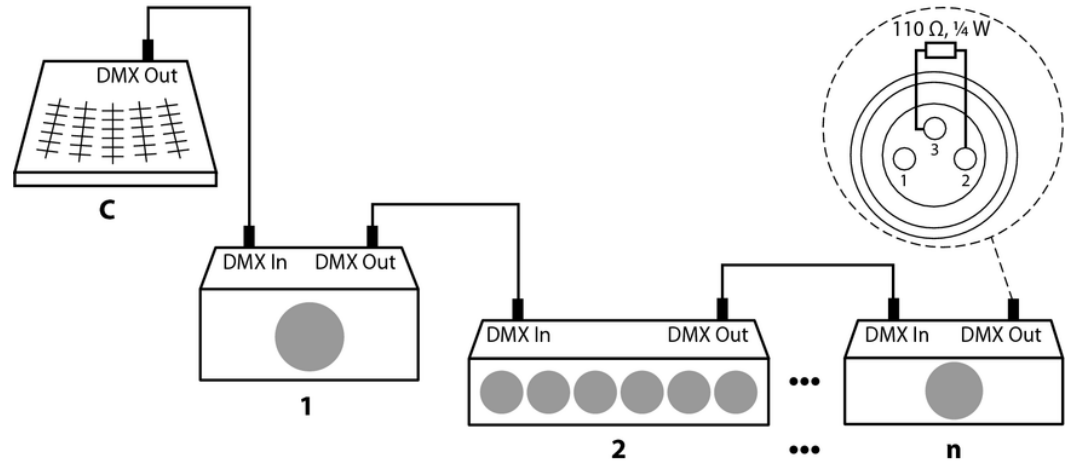
## 5 Starting up

Create all connections while the device is off. Use the shortest possible high-quality cables for all connections. Take care when running the cables to prevent tripping hazards.



**Connections in DMX mode**

Connect the DMX input of the device to the DMX output of a DMX controller or another DMX device. Connect the output of the first DMX device to the input of the second one, and so on to form a daisy chain. Always ensure that the output of the last DMX device in the daisy chain is terminated with a resistor ( $110\ \Omega$ ,  $\frac{1}{4}\ \text{W}$ ).

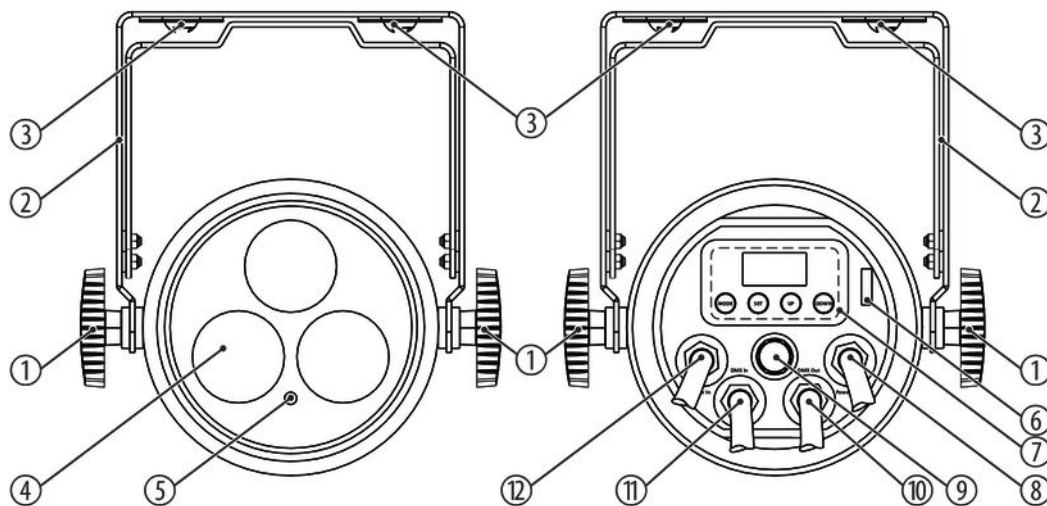


### **Connections in master/slave mode**

When you configure a group of devices in master/slave mode, the first unit will control the other units for an automatic, sound-activated, synchronized show. This function is ideal when you want to start a show immediately. Connect the DMX output of the master device to the DMX input of the first slave device. Then connect the DMX output of the first slave device to the DMX input of the second slave device and so on.

## 6 Connections and controls

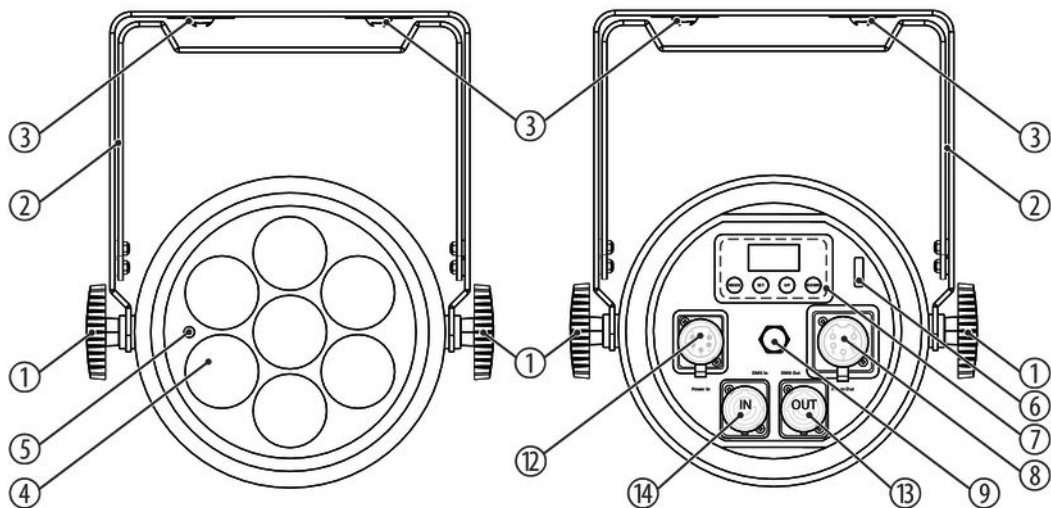
WAL-L310 Par  
(Item number 474388)



1	Locking screws for the brackets.
2	Two-piece bracket for hanging or floor setup
3	Omega bracket with quick lock
4	LED
5	Infrared sensor for optional remote control
6	Safety cable eyelet.
7	Display and keypad
	<i>[MODE]</i>
	Activates the main menu, toggles between the menu levels or closes a submenu.
	<i>[DOWN]</i>
	Decreases the displayed value by one.
	<i>[UP]</i>
	Increases the displayed value by one.

	<i>[SET]</i> Confirms a value.
8	<i>[DMX OUT]</i> DMX cable with 5-pin XLR connector (IP65)
9	Pressure compensation element
10	<i>[POWER OUT]</i> Power cord with Power Twist TR1 cable connector for powering further devices
11	<i>[POWER IN]</i> Power cord with Power Twist TR1 cable connector for the power supply of the device
12	<i>[DMX IN]</i> DMX cable with 5-pin XLR connector (IP65)

**WAL-L710 Par**  
**(Item number 474390),**  
**WAL-L710 Par W-DMX**  
**(Item number 477173)**



1	Locking screws for the brackets.
2	Two-piece bracket for hanging or floor setup
3	Omega bracket with quick lock
4	LED
5	Infrared sensor for optional remote control
6	Safety cable eyelet.
7	Display and keypad
	<i>[MODE]</i>
	Activates the main menu, toggles between the menu levels or closes a submenu.
	<i>[DOWN]</i>
	Decreases the displayed value by one.
	<i>[UP]</i>
	Increases the displayed value by one.

	<i>[SET]</i> Confirms a value.
8	<i>[DMX OUT]</i> DMX output, designed as 5-pin XLR panel socket (IP65)
9	Pressure compensation element
12	<i>[DMX IN]</i> DMX input, designed as 5-pin XLR panel plug (IP65)
13	<i>[POWER OUT]</i> Lockable output socket (Power Twist TR1 IP65) for powering further devices
14	<i>[POWER IN]</i> Lockable input socket (Power Twist TR1 IP65) for the power supply of the device



## 7 Operating

### 7.1 Starting the device

Connect the device to the power supply to start operation. The display shows the current operating mode, the version and the temperature. The device is operational.

The display gets locked automatically if no key is pressed during 30 seconds. Press *[MODE]* and *[SET]* simultaneously for 3 seconds to unlock the display manually.

### 7.2 Operating on the unit

#### Navigate in the menu

1. ➤ Press *[MODE]* to activate the main menu.
2. ➤ Use *[UP]* or *[DOWN]* to select the desired parameter or to change the respectively displayed value. Press *[SET]* to apply settings and changed values.

3. ▶ Press again [*MODE*] to call up other menu items.
4. ▶ To activate the respectively shown menu item, press [*SET*].
5. ▶ To return to the previous menu level without changes, press [*MODE*].

## Setting the DMX address

1. ▶ Press *[MODE]* and use *[UP]* or *[DOWN]* to select the menu item 'DMX'. Confirm with *[SET]*.
2. ▶ Use *[UP]* or *[DOWN]* to select the menu item 'Address:'. Confirm with *[SET]*.
3. ▶ Use *[UP]* or *[DOWN]* to select a value between '001' and '512'. Confirm with *[SET]*.

This setting is only relevant when the device is controlled via DMX. Make sure that this number matches the configuration of your DMX controller. The following table shows the highest possible DMX address for the various DMX modes.

Mode	Display	Highest possible DMX address
4-channel	'4-CH'	509
6-channel	'6-CH'	507
9-channel	'9-CH'	504

### Setting the DMX mode

1. ➤ Press *[MODE]* and use *[UP]* or *[DOWN]* to select the menu item 'DMX'. Confirm with *[SET]*.
2. ➤ Use *[UP]* or *[DOWN]* to select the menu item 'Channels:'. Confirm with *[SET]*.
3. ➤ Use *[UP]* or *[DOWN]* to select the desired DMX mode (4, 6 or 9 channels). Depending on the selected mode, the display shows '4-CH', '6-CH' or '9-CH'. Confirm with *[SET]*.

This setting is only relevant when the device is controlled via DMX.

### Enabling W-DMX mode (available only for item no. 477173 Ignition WAL-L710 Par W-DMX)

1. ➤ Press *[MODE]* and use *[UP]* or *[DOWN]* to select the menu item 'DMX'. Confirm with *[SET]*.
2. ➤ Use *[UP]* or *[DOWN]* to select the menu item 'Signal:'. Confirm with *[SET]*.
3. ➤ Use *[UP]* or *[DOWN]* to select the menu item 'W-DMX'. Confirm with *[SET]*.
4. ➤ To deactivate the W-DMX mode, select 'DMX'. Confirm with *[SET]*.

---

**Connecting W-DMX mode  
(available only for item no.  
477173 Ignition WAL-L710 Par  
W-DMX)**

- 1.** ▶ Press *[MODE]* and use *[UP]* or *[DOWN]* to select the menu item 'DMX'. Confirm with *[SET]*.
- 2.** ▶ Use *[UP]* or *[DOWN]* to select the menu item 'W-DMX Unlock:' to unlock an existing connection to a transmitter and to connect the device to another transmitter. Confirm with *[SET]*.
- 3.** ▶ Use *[UP]* or *[DOWN]* to select the menu item 'Yes'. Confirm with *[SET]*.  
⇒ The existing connection is disconnected.
- 4.** ▶ To establish the connection to a transmitter, press *[LINK]* on your transmitter.
- 5.** ▶ Use *[UP]* or *[DOWN]* to select the menu item 'No' to cancel the procedure. Confirm with *[SET]*.

### Enabling Slave mode

1. ▶ Press *[MODE]* and use *[UP]* or *[DOWN]* to select the menu item 'Slave'. Confirm with *[SET]*.
2. ▶ Use *[UP]* or *[DOWN]* to select the menu item 'Yes'. Confirm with *[SET]*.
  - ⇒ The device is now working in slave mode, i.e. it will exactly copy the movement of the controlling master device, correct wiring provided.
3. ▶ To disable the W-DMX mode, select 'No'. Confirm with *[SET]*.

This setting is only relevant if the device is not controlled via DMX.

## Enabling automatic programme run

1. ▶ Press *[MODE]* and use *[UP]* or *[DOWN]* to select the menu item 'AUTO'. Confirm with *[SET]*.
2. ▶ Use *[UP]* or *[DOWN]* to select the menu item 'Yes'. Confirm with *[SET]*.  
⇒ The automatic programme run is enabled. The automatic programmes 2 to 17 run at the predefined settings.
3. ▶ To disable the automatic programme run, select 'No'. Confirm with *[SET]*.

## Selecting automatic programme

1. ▶ Press *[MODE]* and use *[UP]* or *[DOWN]* to select the menu item 'Program'. Confirm with *[SET]*.
2. ▶ Use *[UP]* or *[DOWN]* to select one of the 17 automatic programmes (display shows 'Mode:01' to 'Mode:17').
3. ▶ Press *[SET]* to confirm the selection.

### Configuring automatic programme: Static colour

This parameter can only be set for the automatic programme 'Mode:01'.

1. ➤ Press *[MODE]* and use *[UP]* or *[DOWN]* to select the menu item 'Program'. Confirm with *[SET]*.
2. ➤ Use *[UP]* or *[DOWN]* to select the menu item 'Color'. Confirm with *[SET]*.
3. ➤ Use *[UP]* or *[DOWN]* to select a value between '00' and '39' to set a static colour.
4. ➤ Press *[SET]* to confirm the selection.



### Configuring automatic programme: Running speed

This parameter can only be set for the automatic programmes from 'Mode:02' to 'Mode:17'.

1. ➤ Press [MODE] and use [UP] or [DOWN] to select the menu item 'Program'. Confirm with [SET].
2. ➤ Use [UP] or [DOWN] to select the menu item 'Speed'. Confirm with [SET].
3. ➤ Use [UP] or [DOWN] to select a value between '001' (slow) and '100' (fast) to set the running speed.
4. ➤ Press [SET] to confirm the selection.

### Configuring automatic programme: Strobe effect

1. ➤ Press [MODE] and use [UP] or [DOWN] to select the menu item 'Program'. Confirm with [SET].
2. ➤ Use [UP] or [DOWN] to select the menu item 'Strobe'. Confirm with [SET].
3. ➤ Use [UP] or [DOWN] to select a value between '00' (strobe effect off) and '99' (strobe effect fast) to set the strobe effect.
4. ➤ Press [SET] to confirm the selection.

### Enabling customized programme run

1. ➤ Press *[MODE]* and use *[UP]* or *[DOWN]* to select the menu item 'User Program'. Confirm with *[SET]*.
2. ➤ Use *[UP]* or *[DOWN]* to select the menu item 'Program'. Confirm with *[SET]*.  
Use *[UP]* or *[DOWN]* to select a programme between 1 and 5 and confirm with *[SET]*.  
⇒ The customized programme run is enabled. The selected programme runs at the predefined settings.

## Configuring customized programme run

1. ▶ Press *[MODE]* and use *[UP]* or *[DOWN]* to select the menu item 'User Program'. Confirm with *[SET]*.
2. ▶ Use *[UP]* or *[DOWN]* to select the menu item 'Program'. Confirm with *[SET]*.  
Use *[UP]* or *[DOWN]* to select a programme between 1 and 5 and confirm with *[SET]*.
3. ▶ Use *[UP]* or *[DOWN]* to select the menu item 'Edit' to edit the selected programme. Confirm with *[SET]*.
4. ▶ Every programme provides ten individual steps which you can edit as desired. The following table shows the available options:

Menu level 2	Menu level 3	Function
'Step'	'1' ... '10'	Step 1...10
'Red'	'0' ... '255'	Intensity red
'Green'	'0' ... '255'	Intensity green
'Blue'	'0' ... '255'	Intensity blue
'White'	'0' ... '255'	Intensity white

Menu level 2	Menu level 3	Function
Strobe	'0' ... '99'	Stroboscope
Fade Time	'0' ... '20s'	Fade time to next step
Wait Time	'0.1' ... '40s'	Step duration

5. ➤ Press *[SET]* to confirm the settings and save them for the selected programme.

### **Sending the customized programme run to devices**

1. ➤ Press *[MODE]* and use *[UP]* or *[DOWN]* to select the menu item 'User Program'. Confirm with *[SET]*.
2. ➤ Use *[UP]* or *[DOWN]* to select the menu item 'Program'. Confirm with *[SET]*.  
Use *[UP]* or *[DOWN]* to select a programme between 1 and 5 and confirm with *[SET]*.
3. ➤ Use *[UP]* or *[DOWN]* to select the menu item 'Send Program'. Confirm with *[SET]*.
4. ➤ Use *[UP]* or *[DOWN]* to select 'Yes' to send the selected programme to the connected devices. Confirm with *[SET]*.
5. ➤ Use *[UP]* or *[DOWN]* to select 'No' to cancel the procedure. Confirm with *[SET]*.

### Setting dimmer (freely adjustable static colour)

1. ▶ Press *[MODE]* and use *[UP]* or *[DOWN]* to select the menu item 'Dimmer'. Confirm with *[SET]*.
2. ▶ Use *[UP]* or *[DOWN]* to select the colour whose intensity you want to set (display shows 'Red', 'Green', 'Blue', 'White'). Confirm with *[SET]*.
3. ▶ Use *[UP]* or *[DOWN]* to select a value between '000' (LEDs off) and '255' (full brightness) to set the intensity of the LEDs.
4. ▶ Press *[SET]* to confirm the selection.

## Selecting the dimmer curve

1. ➤ Press *[MODE]* and use *[UP]* or *[DOWN]* to select the menu item '*Settings*'. Confirm with *[SET]*.
2. ➤ Use *[UP]* or *[DOWN]* to select the menu item '*Curves Select*'. Confirm with *[SET]*.
3. ➤ Use *[UP]* or *[DOWN]* to select a dimmer curve. The following table shows the available options.

Menu level 2	Menu level 3	Function
'Curves Select'	'linear'	Linear course
	'Square Law'	Exponential course
	'Inv Square Law'	Logarithmic course
	'S-Type'	S-curve shaped course

4. ➤ Press *[SET]* to confirm the selection.

## Selecting the response characteristic of the dimmer

1. ▶ Press *[MODE]* and use *[UP]* or *[DOWN]* to select the menu item '*Settings*'. Confirm with *[SET]*.
2. ▶ Use *[UP]* or *[DOWN]* to select the menu item '*Dimmer Speed*'. Confirm with *[SET]*.
3. ▶ Use *[UP]* or *[DOWN]* to select the desired setting for the response characteristic of the dimmer. The following table shows the available options.

Menu level 2	Menu level 3	Function
'Dimmer Speed'	'Fast'	Fast dimming
	'Smooth'	Slow dimming

4. ▶ Press *[SET]* to confirm the selection.

## Rotating the display

1. ➤ Press *[MODE]* and use *[UP]* or *[DOWN]* to select the menu item '*Settings*'. Confirm with *[SET]*.
2. ➤ Use *[UP]* or *[DOWN]* to select the menu item '*Display*'. Confirm with *[SET]*.
3. ➤ Use *[UP]* or *[DOWN]* to select the desired display orientation. The following table shows the available options.

Menu level 2	Menu level 3	Function
'Display'	'Normal'	The display is not rotated.
	'Inverted'	The display is rotated by 180°.

4. ➤ Press *[SET]* to confirm the selection.



## Setting LED repetition rate (PWM)

1. Press *[MODE]* and use *[UP]* or *[DOWN]* to select the menu item '*Settings*'. Confirm with *[SET]*.
2. Use *[UP]* or *[DOWN]* to select the menu item '*PWM Frequency*'. Confirm with *[SET]*.
3. Use *[UP]* or *[DOWN]* to select a value for the LED repetition rate. The following table shows the available options.

Menu level 2	Menu level 3	Function
'PWM Frequency'	'12K'	PWM 12 kHz
	'6K'	PWM 6 kHz
	'3K'	PWM 3 kHz
	'1K'	PWM 1 kHz

4. Press *[SET]* to confirm the selection.

## Setting behaviour on DMX control failure

1. ➤ Press *[MODE]* and use *[UP]* or *[DOWN]* to select the menu item *'Settings'*. Confirm with *[SET]*.
2. ➤ Use *[UP]* or *[DOWN]* to select the menu item *'DMX Fail'*. Confirm with *[SET]*.
3. ➤ Use *[UP]* or *[DOWN]* to select the desired behaviour on DMX control failure. The following table shows the available options.

Menu level 2	Menu level 3	Function
'Dmx Fail'	'Off'	If the DMX control fails, the device is blacked out.
	'Hold'	If the DMX control fails, the last setting is retained.
	'Dimmer'	If the DMX control fails, the device switches to dimmer mode.
	'Program'	If the DMX control fails, the last selected programme in the mode <i>'Program'</i> is enabled.

4. ➤ Press *[SET]* to confirm the selection.

### Enabling and disabling DMX synchronization

With the DMX synchronization, it is possible to synchronize the settings of the device with other DMX controlled devices.

1. ➤ Press *[MODE]* and use *[UP]* or *[DOWN]* to select the menu item '*Settings*'. Confirm with *[SET]*.
2. ➤ Use *[UP]* or *[DOWN]* to select the menu item '*Dmx Sync*'. Confirm with *[SET]*.
3. ➤ Use *[UP]* or *[DOWN]* to select '*On*' to enable the DMX synchronization. Confirm with *[SET]*.
4. ➤ Use *[UP]* or *[DOWN]* to select '*Off*' to disable the DMX synchronization. Confirm with *[SET]*.

### Enabling or disabling key lock

1. ➤ Press *[MODE]* and use *[UP]* or *[DOWN]* to select the menu item '*Settings*'. Confirm with *[SET]*.
2. ➤ Use *[UP]* or *[DOWN]* to select the menu item '*Lock*'. Confirm with *[SET]*.
3. ➤ Use *[UP]* or *[DOWN]* to select '*On*' to enable the key lock. Confirm with *[SET]*.
4. ➤ Use *[UP]* or *[DOWN]* to select '*Off*' to disable the key lock. Confirm with *[SET]*.

### Resetting the device to factory defaults

1. ▶ Press *[MODE]* and use *[UP]* or *[DOWN]* to select the menu item *'Settings'*. Confirm with *[SET]*.
2. ▶ Use *[UP]* or *[DOWN]* to select the menu item *'Factory Reset'*. Confirm with *[SET]*.
3. ▶ Use *[UP]* or *[DOWN]* to select the menu item *'Yes'* to reset the device to factory defaults.  
or  
to select the menu item *'No'* to maintain the saved settings.
4. ▶ Press *[SET]* to confirm the selection.

## Displaying software version and device temperature

1. ▶ Press *[MODE]* and use *[UP]* or *[DOWN]* to select the menu item 'Information'. Confirm with *[SET]*.
2. ▶ Use *[UP]* or *[DOWN]* to select the menu item 'Version'. Confirm with *[SET]*.  
⇒ The display shows the current software version and the current device temperature.



### NOTICE!

Turn the device off, if the device temperature is beyond the admissible range.

3. ▶ Press *[MODE]* to close the menu.

### Operating hours display

1. ▶ Press *[MODE]* and use *[UP]* or *[DOWN]* to select the menu item '*Information*'. Confirm with *[SET]*.
2. ▶ Use *[UP]* or *[DOWN]* to select the menu item '*PowerTime*'. Confirm with *[SET]*.
  - ⇒ The display shows the time during which the device has been connected to the power supply.
3. ▶ Press *[MODE]* to close the menu.

### Displaying the LED runtime

1. ▶ Press *[MODE]* and use *[UP]* or *[DOWN]* to select the menu item '*Information*'. Confirm with *[SET]*.
2. ▶ Use *[Up]* or *[Down]* to select the menu item '*LED Time*'. Confirm with *[SET]*.
  - ⇒ The display shows the LED runtime.
3. ▶ Press *[MODE]* to close the menu.

## RDM function

The device provides an RDM function and is compatible to DMX512 standard. It is possible to recognize every device with RDM from the UID code.

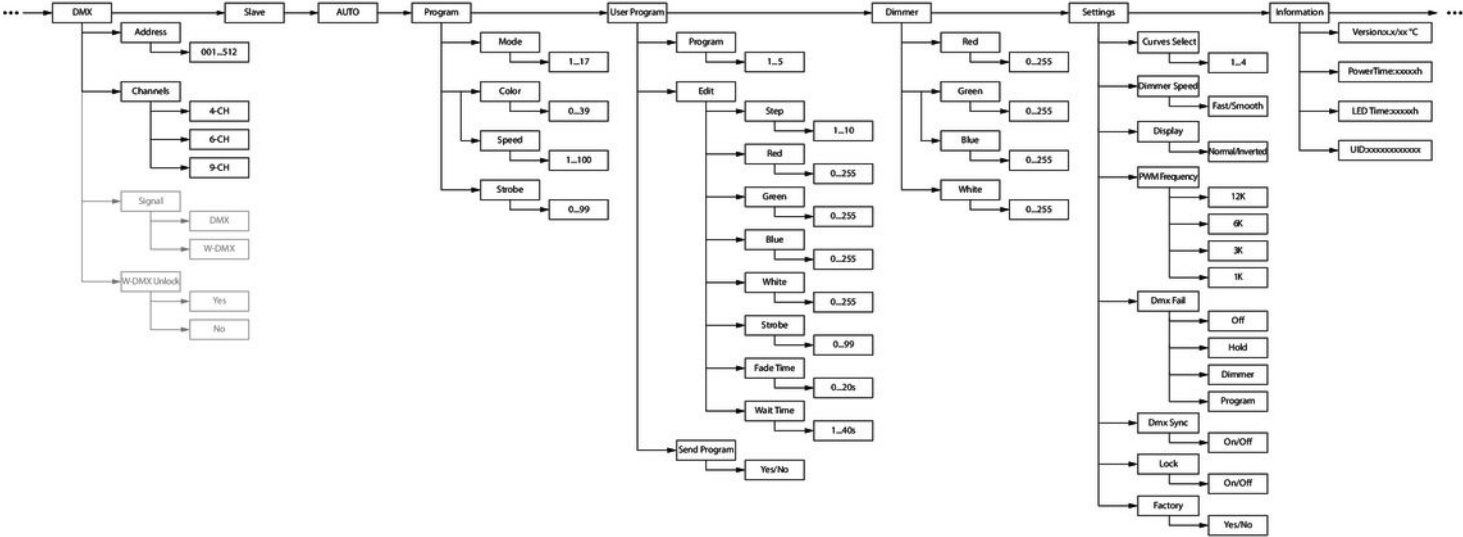
1. ➤ Press *[MODE]* and use *[UP]* or *[DOWN]* to select the menu item 'Information'. Confirm with *[SET]*.
2. ➤ Use *[UP]* or *[DOWN]* to select the menu item 'UID'. Confirm with *[SET]*.  
⇒ The display shows the UID code.
3. ➤ Press *[MODE]* to close the menu.

Parameter ID	Detection command	Sent command	Received command
DISC_UNIQUE_BRANCH	*		
DISC_MUTE	*		
DISC_UN_MUTE	*		
DEVICE_INFO			*
SOFTWARE_VERSION_LABEL			*

Parameter ID	Detection command	Sent command	Received command
DMX_START_ADDRESS		*	*
IDENTIFY_DEVICE		*	*
SUPPORTED_PARAMETERS			*
SENSOR_DEFINITION			*
SENSOR_VALUE			*
DMX_PERSONALITY		*	*
DMX_PERSONALITY_DESCRIPTION			*
RESET_DEVICE		*	
FACTORY_DEFAULTS		*	



### 7.3 Menu overview



## 7.4 Functions in 4-channel DMX mode

Channel	Value	Function
1	000...255	Intensity red (0 % to 100 %)
2	000...255	Intensity green (0 % to 100 %)
3	000...255	Intensity blue (0 % to 100 %)
4	000...255	Intensity white (0 % to 100 %)

## 7.5 Functions in 6-channel DMX mode

Channel	Value	Function
1	000...255	Master dimmer (0 % to 100 %)
2	000...255	Intensity red (0 % to 100 %)
3	000...255	Intensity green (0 % to 100 %)
4	000...255	Intensity blue (0 % to 100 %)
5	000...255	Intensity white (0 % to 100 %)
6	Strobe effect	
	000...010	open
	011...255	Strobe effect, increasing speed

## 7.6 Functions in 9-channel DMX mode

Channel	Value	Function
1	000...255	Master dimmer (0 % to 100 %)
2	000...255	Intensity red (0 % to 100 %)
3	000...255	Intensity green (0 % to 100 %)
4	000...255	Intensity blue (0 % to 100 %)
5	000...255	Intensity white (0 % to 100 %)
6	Predefined colour	
	000...015	Without function
	016...021	R(255)G(000)B(000)W(000)
	022...027	R(255)G(015)B(000)W(000)
	028...033	R(255)G(050)B(000)W(000)
	034...039	R(255)G(125)B(000)W(000)

Channel	Value	Function
	040...045	R(255)G(170)B(000)W(000)
	046...051	R(255)G(210)B(000)W(000)
	052...057	R(255)G(255)B(000)W(000)
	058...063	R(200)G(255)B(000)W(000)
	064...069	R(160)G(255)B(000)W(000)
	070...075	R(110)G(255)B(000)W(000)
	076...081	R(070)G(255)B(000)W(000)
	082...087	R(000)G(255)B(000)W(000)
	088...093	R(000)G(255)B(010)W(000)
	094...099	R(000)G(255)B(025)W(000)
	100...105	R(000)G(255)B(040)W(000)
	106...111	R(000)G(255)B(070)W(000)
	112...117	R(000)G(255)B(120)W(000)

Channel	Value	Function
	118...123	R(000)G(255)B(255)W(000)
	124...129	R(000)G(100)B(255)W(000)
	130...135	R(000)G(000)B(255)W(000)
	136...141	R(020)G(000)B(255)W(000)
	142...147	R(050)G(000)B(255)W(000)
	148...153	R(080)G(000)B(255)W(000)
	154...159	R(130)G(000)B(255)W(000)
	160...165	R(180)G(000)B(255)W(000)
	166...171	R(225)G(000)B(255)W(000)
	172...177	R(255)G(000)B(255)W(000)
	178...183	R(255)G(000)B(220)W(000)
	184...189	R(255)G(000)B(070)W(000)
	190...195	R(255)G(000)B(020)W(000)

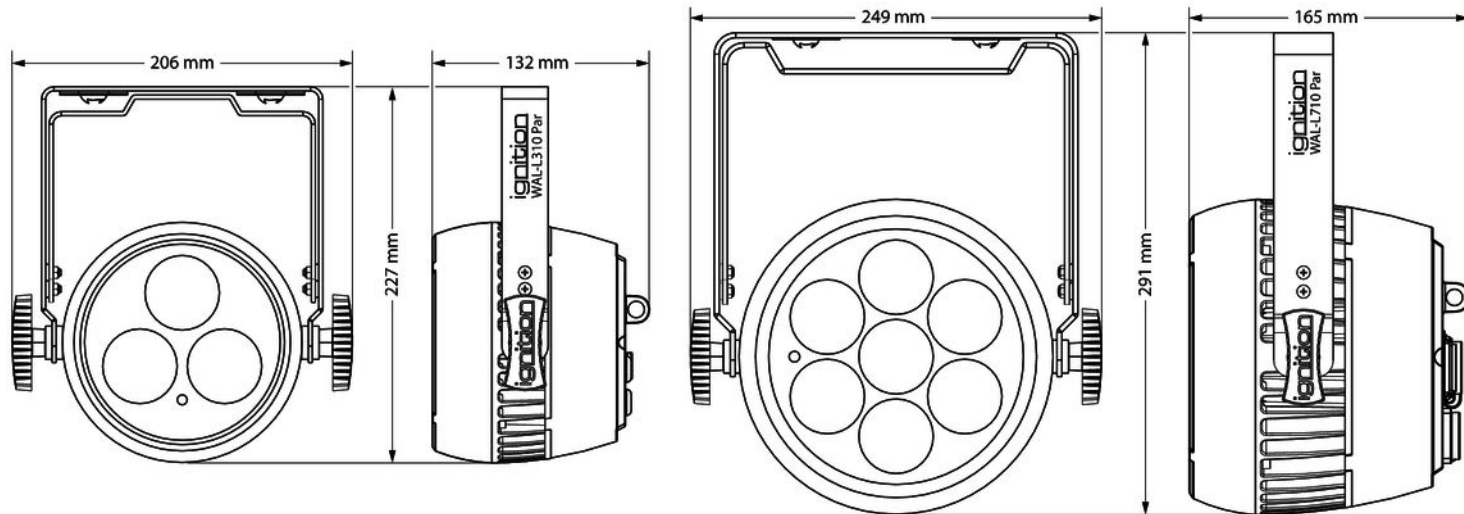
Channel	Value	Function
	196...201	R(255)G(000)B(007)W(000)
	202...207	R(000)G(000)B(000)W(255)
	208...213	R(255)G(000)B(000)W(255)
	214...219	R(125)G(000)B(000)W(255)
	220...225	R(000)G(255)B(000)W(255)
	226...231	R(000)G(120)B(000)W(255)
	232...237	R(000)G(000)B(255)W(255)
	238...243	R(000)G(000)B(100)W(255)
	244...255	R(000)G(000)B(050)W(255)
7	Programmes	
	000...015	Without function
	016...026	Programme 2
	027...037	Programme 3

<b>Channel</b>	<b>Value</b>	<b>Function</b>
	038...048	Programme 4
	049...059	Programme 5
	060...070	Programme 6
	071...081	Programme 7
	082...092	Programme 8
	093...103	Programme 9
	104...114	Programme 10
	115...125	Programme 11
	126...136	Programme 12
	137...147	Programme 13
	148...158	Programme 14
	159...169	Programme 15
	170...180	Programme 16



Channel	Value	Function
	181...191	Programme 17
	192...202	Customized programme 1
	203...213	Customized programme 2
	214...224	Customized programme 3
	225...235	Customized programme 4
	236...255	Customized programme 5
8	000...255	Speed from slow to fast (programmes 2 to 17)
9	Strobe effect	
	000...010	open
	011...255	Strobe with increasing frequency (not for the customized programmes 1...5, channel 7)

## 8 Technical specifications



Item no.		474388	474390	477173
Light source		3 × 4in1 RGBW LED, 10 W each	7 × 4in1 RGBW LED, 10 W each	7 × 4in1 RGBW LED, 10 W each
Optical properties	Beam angle	10° (without filter)		
	Colour temperature	6500 K		
	Luminous flux	max. 1442 lm	max. 3616 lm	
Control		–	–	W-DMX
		DMX		
		Buttons and display		
Number of DMX channels		4, 6, 9		
Input connections	Voltage supply	Power cord with Power Twist TR1 cable connector	Lockable input socket Power Twist TR1 IP65	
	DMX control	DMX cable with 5-pin XLR connector	XLR panel plug (IP65), 5-pin	

## Technical specifications

Item no.		474388	474390	477173
Output connections	Voltage supply	Power cord with Power Twist TR1 cable connector Output current max. 6 A	Lockable output socket Power Twist TR1 IP65 Output current max. 12 A	
	DMX control	DMX cable with 5-pin XLR connector	XLR panel socket (IP65), 5-pin	
Power consumption		30 W	70 W	
Operating supply voltage		100 – 240 V ~ 50/60 Hz		
Protection class		IP65		
Mounting options		hanging, standing		
Dimensions (W × H × D)		206 mm × 277 mm × 132 mm	249 mm × 291 mm × 165 mm	
Weight		2.4 kg	4.3 kg	

Item no.	474388	474390	477173
Ambient conditions	Temperature range		
	-20 °C...+45 °C		
	Relative humidity		
	50 %, non-condensing		

## Further information

Item no.	474388	474390	477173
Construction	Outdoor housing, Flat PAR	Outdoor housing, Flat PAR	Outdoor housing, Flat PAR
Number of LEDs	3	7	7
Colour mixture	RGBW	RGBW	RGBW
LED type	x-in-1	x-in-1	x-in-1
Floor housing	Yes	Yes	Yes
Fanless	Yes	Yes	Yes
Remote control	optional	optional	optional
Wireless DMX	No	No	Yes
Housing colour	black	black	black
Optional accessories		Barn door (item no. 477996)	Barn door (item no. 477996)

Item no.	474388	474390	477173
	Diffusion filter 25° (item no. 476828)	Diffusion filter 25° (item no. 476832)	Diffusion filter 25° (item no. 476832)
	Diffusion filter 40° (item no. 476830)	Diffusion filter 40° (item no. 476831)	Diffusion filter 40° (item no. 476831)

## 9 Plug and connection assignment

### Introduction

This chapter will help you select the right cables and plugs to connect your valuable equipment so that a perfect light experience is guaranteed.

Please take our tips, because especially in 'Sound & Light' caution is indicated: Even if a plug fits into a socket, the result of an incorrect connection may be a destroyed DMX controller, a short circuit or 'just' a not working light show!

### DMX connections

A five-pin XLR socket serves as DMX output, a five-pin XLR plug serves as DMX input. The drawing below and the table show the pin assignment of a matching coupling.



Pin	Assignment
1	Ground (shielding)
2	Signal inverted (DMX-, 'cold')
3	Signal (DMX+, 'hot')
4	unused / second connection (DMX-)
5	unused / second connection (DMX+)



## 10 Troubleshooting



### **NOTICE!**

#### **Possible data transmission errors**

For error-free operation make use of dedicated DMX cables and do not use ordinary microphone cables.

Never connect the DMX input or output to audio devices such as mixers or amplifiers.

In the following we list a few common problems that may occur during operation. We give you some suggestions for easy troubleshooting:

Symptom	Remedy
The unit does not work, no light.	Check the mains connection and the fuse.
No response to the DMX controller.	1. Check the DMX ports and cables for proper connection.
	2. Check the address settings and the DMX polarity.
	3. Try using another DMX controller.
	4. Check to see if the DMX cables run near or alongside to high voltage cables that may cause damage or interference to DMX interface circuits.

If the procedures recommended above do not succeed, please contact our Service Center. You can find the contact information at [www.thomann.de](http://www.thomann.de).

# 11 Cleaning

## Optical lenses

Clean the optical lenses, that are accessible from the outside, regularly in order to optimize the light output. The frequency of cleaning depends on the operating environment: wet, smoky or particularly dirty surroundings can cause more accumulation of dirt on the optics of the device.

- Clean with a soft cloth using our lamp and lens cleaner (item no. 280122).
- Always dry the parts carefully.

## 12 Protecting the environment

### Disposal of the packaging material



For the transport and protective packaging, environmentally friendly materials have been chosen that can be supplied to normal recycling.

Ensure that plastic bags, packaging, etc. are properly disposed of.

Do not just dispose of these materials with your normal household waste, but make sure that they are collected for recycling. Please follow the notes and markings on the packaging.

### Disposal of your old device



This product is subject to the European Waste Electrical and Electronic Equipment Directive (WEEE) in its currently valid version. Do not dispose with your normal household waste.

Dispose of this device through an approved waste disposal firm or through your local waste facility. When discarding the device, comply with the rules and regulations that apply in your country. If in doubt, consult your local waste disposal facility.







