

ignition

2bright Pint TW200 IP

LED PAR

Musikhaus Thomann  
Thomann GmbH  
Hans-Thomann-Straße 1  
96138 Burgebrach  
Germany  
Telephone: +49 (0) 9546 9223-0  
E-mail: [info@thomann.de](mailto:info@thomann.de)  
Internet: [www.thomann.de](http://www.thomann.de)

14.04.2021, ID: 486485 (V2)

---

# Table of contents

<b>1</b>	<b>General information</b> .....	<b>6</b>
	1.1 Further information.....	7
	1.2 Notational conventions.....	8
	1.3 Symbols and signal words.....	9
<b>2</b>	<b>Safety instructions</b> .....	<b>12</b>
<b>3</b>	<b>Features</b> .....	<b>16</b>
<b>4</b>	<b>Installation</b> .....	<b>18</b>
<b>5</b>	<b>Starting up</b> .....	<b>22</b>
<b>6</b>	<b>Connections and controls</b> .....	<b>24</b>
<b>7</b>	<b>Operating</b> .....	<b>27</b>
	7.1 Starting the device.....	27
	7.2 Operating on the unit.....	27
	7.3 Menu overview.....	47
	7.4 Functions in 1-channel DMX mode.....	48
	7.5 Functions in 2-channel DMX mode, variant A.....	48

7.6	Functions in 2-channel DMX mode, variant B.....	50
7.7	Functions in 3-channel DMX mode.....	50
7.8	Functions in 5-channel DMX mode, variant A.....	52
7.9	Functions in 5-channel DMX mode, variant B.....	53
7.10	Functions in 9-channel DMX mode.....	59
7.11	Colour temperature adjustment via DMX.....	64
<b>8</b>	<b>Technical specifications.....</b>	<b>68</b>
<b>9</b>	<b>Plug and connection assignments.....</b>	<b>71</b>
<b>10</b>	<b>Troubleshooting.....</b>	<b>72</b>
<b>11</b>	<b>Cleaning.....</b>	<b>74</b>
<b>12</b>	<b>Protecting the environment.....</b>	<b>75</b>



# 1 General information

This user manual contains important information on the safe operation of the device. Read and follow all safety notes and all instructions. Save this manual for future reference. Make sure that it is available to all persons using this device. If you sell the device to another user, be sure that they also receive this manual.

Our products and user manuals are subject to a process of continuous development. We therefore reserve the right to make changes without notice. Please refer to the latest version of the user manual which is ready for download under [www.thomann.de](http://www.thomann.de).

## 1.1 Further information

On our website ([www.thomann.de](http://www.thomann.de)) you will find lots of further information and details on the following points:

Download	This manual is also available as PDF file for you to download.
Keyword search	Use the search function in the electronic version to find the topics of interest for you quickly.
Online guides	Our online guides provide detailed information on technical basics and terms.
Personal consultation	For personal consultation please contact our technical hotline.
Service	If you have any problems with the device the customer service will gladly assist you.

## 1.2 Notational conventions

This manual uses the following notational conventions:

### Letterings

The letterings for connectors and controls are marked by square brackets and italics.

**Examples:** *[VOLUME]* control, *[Mono]* button.

### Displays

Texts and values displayed on the device are marked by quotation marks and italics.

**Examples:** *'24ch'*, *'OFF'*.

### Text input

Text inputs that are carried out on the device are indicated by typewriter font.

**Example:** 2323



## Instructions



The individual steps of an instruction are numbered consecutively. The result of a step is indented and highlighted by an arrow.




### Example:

- 1.** ▶ Switch on the device.
- 2.** ▶ Press *[Auto]*.
  - ⇒ Automatic operation is started.
- 3.** ▶ Switch off the device.

## 1.3 Symbols and signal words

In this section you will find an overview of the meaning of symbols and signal words that are used in this manual.

Signal word	Meaning
<b>DANGER!</b>	This combination of symbol and signal word indicates an immediate dangerous situation that will result in death or serious injury if it is not avoided.
<b>WARNING!</b>	This combination of symbol and signal word indicates a possible dangerous situation that can result in death or serious injury if it is not avoided.
<b>NOTICE!</b>	This combination of symbol and signal word indicates a possible dangerous situation that can result in material and environmental damage if it is not avoided.
Warning signs	Type of danger
	Warning – high-voltage.
	Warning – hot surface.

Warning signs	Type of danger
	<p>Warning – dangerous optical radiation.</p>
	<p>Warning – suspended load.</p>
	<p>Warning – danger zone.</p>

## 2 Safety instructions

### Intended use

This device is intended for use as an electronic lighting effect by means of LED technology. The device is designed for professional use only and is not suitable for use in households. Use the device only as described in this user manual. Any other use or use under other operating conditions is considered to be improper and may result in personal injury or property damage. No liability will be assumed for damages resulting from improper use.

This device may be used only by persons with sufficient physical, sensorial, and intellectual abilities and having corresponding knowledge and experience. Other persons may use this device only if they are supervised or instructed by a person who is responsible for their safety.



*Extend the operating life of the device by regular breaks and by avoiding frequent switching on and off. The device is not suitable for continuous operation.*

**Safety****DANGER!****Danger for children**

Ensure that plastic bags, packaging, etc. are disposed of properly and are not within reach of babies and young children. Choking hazard! Ensure that children do not detach any small parts (e.g. knobs or the like) from the unit. They could swallow the pieces and choke! Never let children unattended use electrical devices.

**DANGER!****Electric shock caused by short-circuit**

Always use proper ready-made insulated mains cabling (power cord). Do not modify the mains cable. Failure to do so could result in electric shock/death or fire. If in doubt, seek advice from a registered electrician.

**DANGER!****Electric shock caused by high voltages inside**

Within the device there are areas where high voltages may be present. Never remove any covers. There are no user-serviceable parts inside. Do not use the device if covers, protectors or optical components are missing or damaged.

**WARNING!****Eye damage caused by high light intensity**

Never look directly into the light source.



**WARNING!**

**Risk of epileptic shock**

Strobe lighting can trigger seizures in photosensitive epilepsy. Sensitive persons should avoid looking at strobe lights.



**WARNING!**

**Risk of burns**

The surface of the device can become very hot during operation. Do not touch the device with bare hands during operation, and after switching off wait for at least 15 minutes.



**WARNING!**

**Risk of injury caused by falling objects**

Make sure that the installation complies with the standards and rules that apply in your country. Always secure the device with a secondary safety attachment, such as a safety cable or a safety chain. Secure the barn door with a safety cable on the spotlight after installation. The safety cable must run outside the barn door and must not interfere with the light emission.



**NOTICE!**

**Risk of fire**

Do not block areas of ventilation. Do not install the device near any direct heat source. Keep the device away from naked flames.



**NOTICE!**

**Risk of fire and overheating**



The use with closed barn doors can cause fire or overheating in the spotlight. The lifetime of the LEDs will be reduced when using the device with closed barn doors. Otherwise, the integrated thermostat causes a thermally reasonable shutdown. Use the device only with open barn doors.



**NOTICE!**

**Power supply**



Before connecting the device, ensure that the input voltage (AC outlet) matches the voltage rating of the device and that the AC outlet is protected by a residual current circuit breaker. Failure to do so could result in damage to the device and possibly injure the user. Unplug the device before electrical storms occur and when it is unused for long periods of time to reduce the risk of electric shock or fire.

### 3 Features

The device is suitable as a blinder, strobe and floodlight for stages and all kinds of events.

Special features of the device:

- 1 × 3in1 WW/CW/A COB LED (200 watt)
- Adjustable colour temperature of 2700 to 5800 K
- Control via DMX, RDM and via buttons and display on the unit
- Blinder channel for halogen effect
- Intense pulse and strobe effects
- Selectable dimmer curves and dimmer speeds
- Adjustable LED repetition rates from 900 to 10.000 Hz
- Fan control with "Silent mode"
- Double bracket with omega bracket
- Protection class IP65



---

**Information about protection class IP65**

Equipment with protection class IP65 are dust-tight and completely protected against contact (first code number). They are also protected against splash water from any angle (second code digit). That is why this equipment can also be used outdoors. Event technology equipment is generally only designed for temporary use however (event lighting) and not for permanent use outdoors.

The specified protection class does not make a statement about the weather resistance of the equipment (resistance to changing ambient conditions as well as against the effects of sunlight and UV rays).

The seals and screw connections of the equipment must be checked regularly to ensure a fault-free operation. In cases of doubt, consult a specialist workshop in due time.

For technological reasons, the light output of LEDs decreases over their lifetime. This effect increases with higher operating temperature. You can extend the service life of the illuminants by providing adequate ventilation and operating the LEDs with the lowest possible brightness.

## 4 Installation

Unpack and check carefully there is no transportation damage before using the unit. Keep the equipment packaging. To fully protect the product against vibration, dust and moisture during transportation or storage use the original packaging or your own packaging material suitable for transport or storage, respectively.



### **WARNING!**

#### **Risk of injury caused by falling objects**

Make sure that the installation complies with the standards and rules that apply in your country. Always secure the device with a secondary safety attachment, such as a safety cable or a safety chain.

Secure the barn door with a safety cable on the spotlight after installation. The safety cable must run outside the barn door and must not interfere with the light emission.



**NOTICE!**

**Risk of overheating**

Always ensure sufficient ventilation.

The ambient temperature must not exceed the limits stated in the chapter Technical Specifications of the User Manual.



**NOTICE!**

**Use of stands**

When mounting the device onto a stand, ensure that the stand is in a safe and stable position and that the weight of the device does not exceed the maximum permissible load capacity of the stand.



### **NOTICE!**

#### **Possible data transmission errors**

For error-free operation make use of dedicated DMX cables and do not use ordinary microphone cables.

Never connect the DMX input or output to audio devices such as mixers or amplifiers.



### **NOTICE!**

#### **Possible damage due to moisture**

Moisture entering into open connectors (plugs and couplers) of DMX or power cords can cause short circuits.

Close unused connectors with end caps intended for this purpose ([www.thomann.de](http://www.thomann.de)).

## **Mounting options**

You can install the unit in hanging or standing position. When in use, the device must always be attached to a solid surface or an approved truss. Use the openings of the bracket provided for mounting.

Always work from a stable platform whenever installing, moving or servicing the unit. In doing so, the area underneath the unit must be cordoned off.



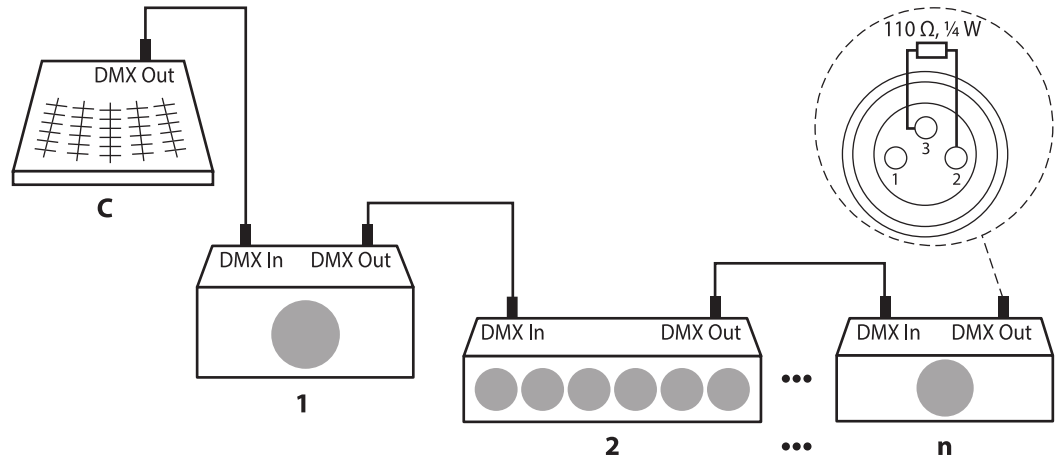
*Please note that this device must not be connected to a dimmer.*

## 5 Starting up

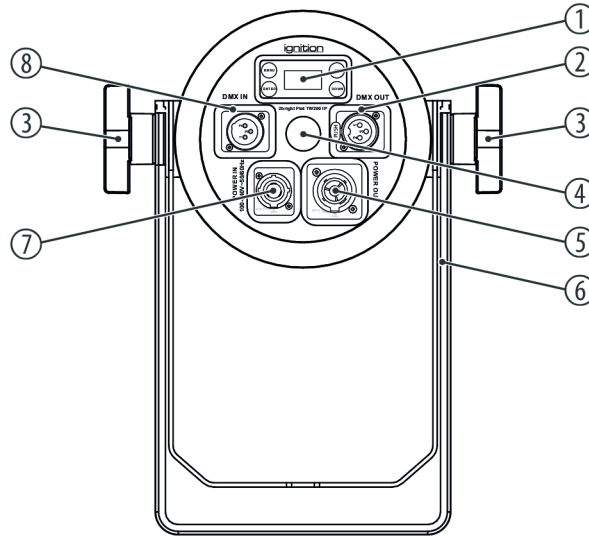
Create all connections while the device is off. Use the shortest possible high-quality cables for all connections. Take care when running the cables to prevent tripping hazards.

**Connections in DMX mode**

Connect the DMX input of the device to the DMX output of a DMX controller or another DMX device. Connect the output of the first DMX device to the input of the second one, and so on to form a daisy chain. Always ensure that the output of the last DMX device in the daisy chain is terminated with a resistor ( $110\ \Omega$ ,  $\frac{1}{4}\text{ W}$ ).



## 6 Connections and controls





1	Display and keypad
	<i>[MENU]</i> Activates the main menu, toggles between the menu levels or closes a submenu.
	<i>[DOWN]</i> Decreases the displayed value by one.
	<i>[UP]</i> Increases the displayed value by one.
	<i>[ENTER]</i> Opens a submenu or confirms a value.
2	<i>[DMX OUT]</i> DMX output, designed as 3-pin XLR panel socket (IP65)
3	Locking screws for the brackets.
4	Pressure compensation element

5	<i>[POWER OUT]</i> Lockable chassis socket (Power Twist TR1 IP65) for the power supply of another device
6	Bracket for floor placement or hanging
7	<i>[POWER IN]</i> Lockable chassis socket (Power Twist TR1 IP65) for the power supply of the device
8	<i>[DMX IN]</i> DMX input, designed as 3-pin XLR panel plug (IP65)





## 7 Operating

### 7.1 Starting the device

Connect the device to the power supply to start operation. The device is immediately operational.

### 7.2 Operating on the unit

#### Navigating in the menu

1.  Press *[MENU]* to activate the main menu.
2.  Press again *[MENU]* to call up further menu items.
3.  To activate the respectively shown menu item, press *[ENTER]*.
4.  Press *[UP]* or *[DOWN]* to change the respectively indicated value.

5. ▶ Press *[ENTER]* to apply the displayed value.
6. ▶ To exit a menu item without making changes, press *[MENU]*.

All set values are retained even when you switch the device off and disconnect it from the mains.

## Setting the DMX address

1. ➤ Press *[MENU]* and then *[UP]* or *[DOWN]* repeatedly until the display shows 'DMX Address'. Confirm with *[ENTER]*.
2. ➤ Use *[UP]* or *[DOWN]* to select the desired DMX address between '001' and '512'.
3. ➤ Press *[ENTER]* to accept the selection.

This setting is only relevant when the device is controlled via DMX. Make sure that this number matches the configuration of your DMX controller. The following table shows the highest possible DMX address for the various DMX modes.

Mode	Display	Highest possible DMX address
1-channel	'1CH'	512
2-channel, variant A	'2CH A'	511
2-channel, variant B	'2CH B'	511
3-channel	'3CH'	510

Mode	Display	Highest possible DMX address
5-channel, variant A	'5CH A'	508
5-channel, variant B	'5CH B'	508
9-channel	'9CH'	504

## Setting the DMX mode

1. ➤ Press *[MENU]* and then *[UP]* or *[DOWN]* repeatedly until the display shows 'DMX Mode'. Confirm with *[ENTER]*.
2. ➤ Use *[UP]* or *[DOWN]* to select the desired DMX mode (1, 2, 3, 5, or 9 channels). Depending on the selected mode, the display shows '1CH', '2CH A', '2CH B', '3CH', '5CH A', '5CH B' or '9CH'.
3. ➤ Press *[ENTER]* to accept the selection.

This setting is only relevant when the device is controlled via DMX.

## Manual mode / stand-alone operation

1. ➤ Press [MENU] and then [UP] or [DOWN] repeatedly until the display shows 'Stand Alone'. Confirm with [ENTER].
2. ➤ Press [UP] or [DOWN] to select the desired submenu or the desired value.

The following sub menus are available:

Menu level 2	Menu level 3	Function
'CTC'	'OFF'	"Colour temperature control" function off
	'2700...5800 K'	Setting the colour temperature
'WarmWhite'	'0...255'	Warm white LED brightness
'ColdWhite'	'0...255'	Cold white LED brightness
'Amber'	'0...255'	Amber LED brightness
'Dimmer'	'0...255'	Dimmer intensity (0 % to 100 %)
'Strobe'	'0...30Hz'	Strobe effect frequency from 0 to 30 Hz

Menu level 2	Menu level 3	Function
'AutoFade'	'No fade'	"Automatic fade" function off
	'0.5s...30s'	Automatic fade out with a fade time of 0.5 s to 30 s. The settings of the dimmer and the strobe effect become ineffective.

3. ▶ Press [ENTER] to accept the selection.

### Rotating the Display

1. ▶ Press [MENU] and then [UP] or [DOWN] repeatedly until the display shows 'Settings'. Confirm with [ENTER].
2. ▶ Press [UP] or [DOWN] repeatedly until the display shows 'Display Reverse'. Confirm with [ENTER].
3. ▶ Use [UP] or [DOWN] to select either 'On' (display rotated by 180 °) or 'Off' (display not rotated).
4. ▶ Press [ENTER] to accept the selection.



## Setting display illumination

1. ▶ Press *[MENU]* and then *[UP]* or *[DOWN]* repeatedly until the display shows 'Settings'. Confirm with *[ENTER]*.
2. ▶ Press *[UP]* or *[DOWN]* repeatedly until the display shows 'Backlight'. Confirm with *[ENTER]*.
3. ▶ Use *[UP]* or *[DOWN]* to choose between 'On' (display permanently on) and 'Off' (display turns off after a few seconds in case of inactivity).
4. ▶ Press *[ENTER]* to accept the selection.

### Setting the behaviour on DMX control failure

1. ➤ Press *[MENU]* and then *[UP]* or *[DOWN]* repeatedly until the display shows *'Settings'*. Confirm with *[ENTER]*.
2. ➤ Press *[UP]* or *[DOWN]* repeatedly until the display shows *'DMX Fail'*. Confirm with *[ENTER]*.
3. ➤ Use *[UP]* or *[DOWN]* to choose between *'Hold Last'*, *'Blackout'* and *'Manual'*, to make the setting to be used when the DMX controller fails.

The following sub menus are available:

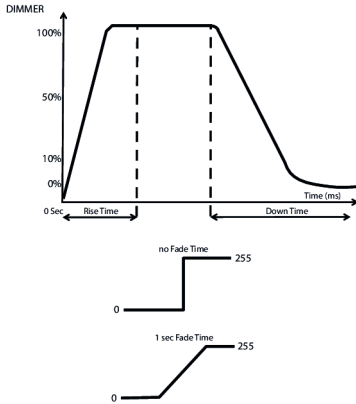
Menu level 3	Function
<i>'Hold Last'</i>	The last received signal is held.
<i>'Blackout'</i>	The spotlight is turned off.
<i>'Manual'</i>	The device calls up the values set in the <i>'Stand Alone'</i> menu.

4. ➤ Press *[ENTER]* to accept the selection.

## Setting the dimmer curve

1. ➤ Press [MENU] and then [UP] or [DOWN] repeatedly until the display shows 'Settings'. Confirm with [ENTER].
2. ➤ Press [UP] or [DOWN] repeatedly until the display shows 'Dimmer Curve'. Confirm with [ENTER].
3. ➤ Use [UP] or [DOWN] to select the desired dimmer curve.

The following sub menus are available:



Menu level 3	Function
'Linear'	without fade time: Rise time 0 ms, fall time 0 ms
	Fade time 1 s: Rise time 0 ms, fall time 0 ms
'Stage'	without fade time: Rise time 780 ms, fall time 1100 ms
	Fade time 1 s: Rise time 1540 ms, fall time 1660 ms
'TV'	without fade time: Rise time 1180 ms, fall time 1520 ms
	Fade time 1 s: Rise time 1860 ms, fall time 1940 ms
'Architectural'	without fade time: Rise time 1380 ms, fall time 1730 ms

Menu level 3	Function
	Fade time 1 s: Rise time 2040 ms, fall time 2120 ms
'Theatre'	without fade time: Rise time 1580 ms, fall time 1940 ms
	Fade time 1 s: Rise time 2230 ms, fall time 2280 ms
'Stage2'	without fade time: Rise time 0 ms, fall time 1100 ms
	Fade time 1 s: Rise time 0 ms, fall time 1660 ms

**4.** ➤ Press [ENTER] to accept the selection.

## Setting the dimmer speed

The dimmer speed can only be set for the 'Stage2' dimmer curve.

- 1.** ➤ Press [MENU] and then [UP] or [DOWN] repeatedly until the display shows 'Settings'. Confirm with [ENTER].
- 2.** ➤ Press [UP] or [DOWN] repeatedly until the display shows 'Dimmer Speed'. Confirm with [ENTER].
- 3.** ➤ Use [UP] or [DOWN] to select a dimmer speed between 0.1...0.9 seconds and 1...10 seconds (display shows '0.1-0.9s' ... '1-10s').
- 4.** ➤ Press [ENTER] to accept the selection.

## Enabling keylock

1. ▶ Press *[MENU]* and then *[UP]* or *[DOWN]* repeatedly until the display shows 'Settings'. Confirm with *[ENTER]*.
2. ▶ Press *[UP]* or *[DOWN]* repeatedly until the display shows 'Auto Lock'. Confirm with *[ENTER]*.
3. ▶ Use *[UP]* or *[DOWN]* to choose between 'On' (keylock on) and 'Off' (keylock off).
4. ▶ Press *[ENTER]* to accept the selection.

Simultaneously press *[UP]* and *[DOWN]* for 5 seconds if you want to activate the input while the keylock is activated.

## Setting fan mode

1. ➤ Press *[MENU]* and then *[UP]* or *[DOWN]* repeatedly until the display shows 'Settings'. Confirm with *[ENTER]*.
2. ➤ Press *[UP]* or *[DOWN]* repeatedly until the display shows 'Fan Mode'. Confirm with *[ENTER]*.
3. ➤ Use *[UP]* or *[DOWN]* to select the desired fan mode.

The following sub menus are available:

Menu level 3	Function
'Smart'	The fan speed is controlled automatically depending on the device temperature.
'Silent'	The fan is off (silent mode). The device temperature is controlled by reducing the power consumption to a maximum of 70 W.
'Max'	The fan runs at maximum speed.


4. ➤ Press *[ENTER]* to accept the selection.

## LED repetition rate (PWM)

1. ➤ Press *[MENU]* and then *[UP]* or *[DOWN]* repeatedly until the display shows 'Settings'. Confirm with *[ENTER]*.
2. ➤ Press *[UP]* or *[DOWN]* repeatedly until the display shows 'PWM Rate'. Confirm with *[ENTER]*.
3. ➤ Use *[UP]* or *[DOWN]* to select the value for the LED repetition rate. The following table shows the available options.

Menu level 3	Function
'900Hz'	PWM 900 Hz
'1000Hz'	PWM 1.0 kHz
'1100Hz'	PWM 1.1 kHz
'1200Hz'	PWM 1.2 kHz
'1300Hz'	PWM 1.3 kHz
'1400Hz'	PWM 1.4 kHz
'1500Hz'	PWM 1.5 kHz

Menu level 3	Function
'2500Hz'	PWM 2.5 kHz
'4000Hz'	PWM 4 kHz
'5000Hz'	PWM 5 kHz
'6000Hz'	PWM 6 kHz
'10000Hz'	PWM 10 kHz

**4.**  Press *[ENTER]* to accept the selection.



## Resetting the device to factory defaults

1. ▶ Press *[MENU]* and then *[UP]* or *[DOWN]* repeatedly until the display shows *'Settings'*. Confirm with *[ENTER]*.
2. ▶ Press *[UP]* or *[DOWN]* repeatedly until the display shows *'Service'*. Confirm with *[ENTER]*.
3. ▶ Press *[UP]* or *[DOWN]* repeatedly until the display shows *'Reset'*. Confirm with *[ENTER]*.  
⇒ You are prompted to enter a password.
4. ▶ Enter the password 11.
5. ▶ Press *[ENTER]*.  
⇒ The device is reset to factory default settings.

## Calibrating colour temperature

1. ➤ Press *[MENU]* and then *[UP]* or *[DOWN]* repeatedly until the display shows 'Settings'. Confirm with *[ENTER]*.
2. ➤ Press *[UP]* or *[DOWN]* repeatedly until the display shows 'Service'. Confirm with *[ENTER]*.
3. ➤ Press *[UP]* or *[DOWN]* repeatedly until the display shows 'Calibration'. Confirm with *[ENTER]*.  
⇒ You are prompted to enter a password.
4. ➤ Enter the password 50. Confirm with *[ENTER]*.
5. ➤ Use *[UP]* or *[DOWN]* to select the value for the colour temperature calibration. The following table shows the available options.

Menu level 4	Menu level 5	Function
'Warm'	'000...255'	Calibrating warm white
'Cold'	'000...255'	Calibrating cold white
'Amber'	'000...255'	Calibrating amber

6. ➤ Press *[ENTER]* to accept the selection.

### Firmware version display

1. ▶ Press *[MENU]* and then *[UP]* or *[DOWN]* repeatedly until the display shows 'System Info'. Confirm with *[ENTER]*.
2. ▶ Press *[UP]* or *[DOWN]* until the display shows 'Firmware'.  
⇒ The current firmware version is displayed.

### LED operating hours display

1. ▶ Press *[MENU]* and then *[UP]* or *[DOWN]* repeatedly until the display shows 'System Info'. Confirm with *[ENTER]*.
2. ▶ Press *[UP]* or *[DOWN]* until the display shows 'LED On Time'.  
⇒ The operation hours of the LED are displayed.

### Device operating hours display

1. ➤ Press *[MENU]* and then *[UP]* or *[DOWN]* repeatedly until the display shows 'System Info'. Confirm with *[ENTER]*.
2. ➤ Press *[UP]* or *[DOWN]* until the display shows 'Operation Hour'.  
⇒ The operation hours of the device are displayed.

### Show device temperature

1. ➤ Press *[MENU]* and then *[UP]* or *[DOWN]* repeatedly until the display shows 'System Info'. Confirm with *[ENTER]*.
2. ➤ Press *[UP]* or *[DOWN]* until the display shows 'Temperature'.  
⇒ The current device temperature is displayed.

**RDM function**

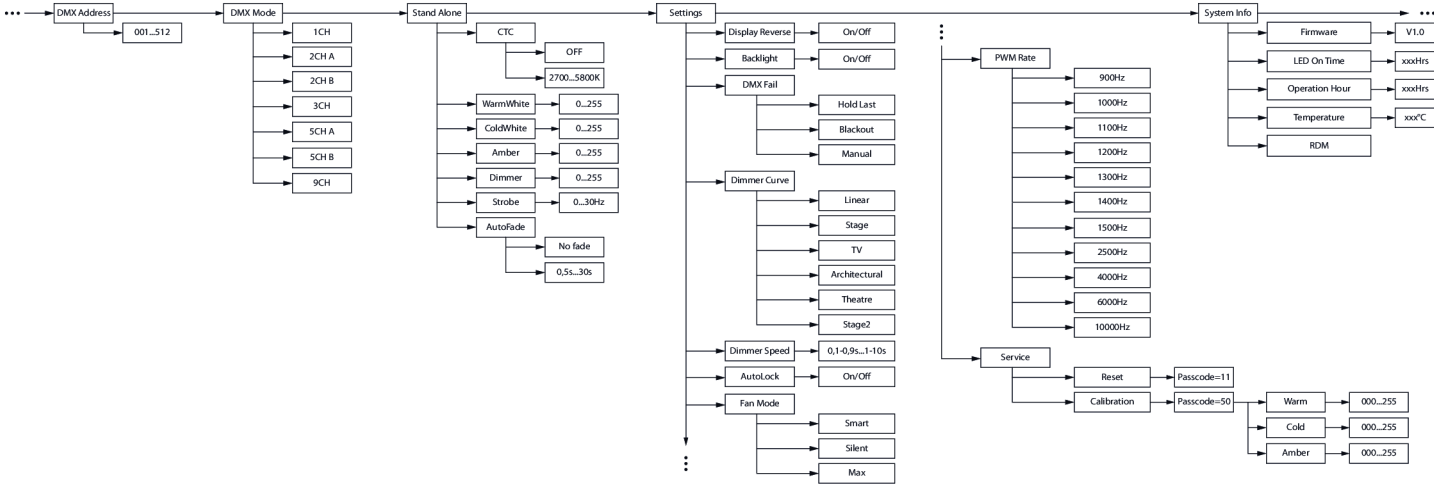
This device has an RDM function and supports the DMX512 standard. Any device with RDM can be recognized by the built-in UID code.

1. ➤ Press *[MENU]* and then *[UP]* or *[DOWN]* repeatedly until the display shows 'System Info'. Confirm with *[ENTER]*.
2. ➤ Press *[UP]* or *[DOWN]* until the display shows 'RDM'.
  - ⇒ The display shows the UID code.

Parameter ID	Recognition command	Sent Command	Received Command
DISC_UNIQUE_BRANCH	*		
DISC_MUTE	*		
DISC_UN_MUTE	*		
DEVICE_INFO			*
SOFTWARE_VERSION_LABEL			*
DMX_START_ADDRESS		*	*

<b>Parameter ID</b>	<b>Recognition command</b>	<b>Sent Command</b>	<b>Received Command</b>
IDENTIFY_DEVICE		*	*
SUPPORTED_PARAMETERS			*
SENSOR_DEFINITION			*
SENSOR_VALUE			*
DMX_PERSONALITY		*	*
DMX_PERSONALITY_DESCRIPTION			*
RESET_DEVICE		*	
FACTORY_DEFAULTS		*	

### 7.3 Menu overview



## 7.4 Functions in 1-channel DMX mode

Channel	Value	Function
1	000...255	Blinder mode

## 7.5 Functions in 2-channel DMX mode, variant A

Channel	Value	Function
1	000...255	Blinder mode
2	Stroboscope	
	000...010	LED on
	011...020	LED off
	021...030	Single strobe pulse



---

Channel	Value	Function
	031...090	Strobe effect, increasing speed
	091...100	LED on
	101...170	Strobe pulses, increasing speed
	171...180	LED on
	181...240	Random strobe effect, increasing speed
	241...255	LED on

## 7.6 Functions in 2-channel DMX mode, variant B

Channel	Value	Function
1	000...255	Dimmer intensity from dark (0) to bright (255)
2	000...031	No function
	032...255	Colour temperature of 2700 K to 5800 K (see chart at <a href="#">↗ Chapter 7.11 'Colour temperature adjustment via DMX'</a> on page 64)

## 7.7 Functions in 3-channel DMX mode

Channel	Value	Function
1	000...255	Dimmer intensity from dark (0) to bright (255)
2	000...031	No function

Channel	Value	Function
	032...255	Colour temperature of 2700 K to 5800 K (see chart at <a href="#">↗ Chapter 7.11 'Colour temperature adjustment via DMX'</a> on page 64)
3	Stroboscope	
	000...010	LED on
	011...020	LED off
	021...030	Single strobe pulse
	031...090	Strobe effect, increasing speed
	091...100	LED on
	101...170	Strobe pulses, increasing speed
	171...180	LED on
	181...240	Random strobe effect, increasing speed
	241...255	LED on

## 7.8 Functions in 5-channel DMX mode, variant A

Channel	Value	Function
1	000...255	Dimmer intensity from dark (0) to bright (255)
2	000...255	Intensity cold white (0 %...100 %)
3	000...255	Intensity warm white (0 %...100 %)
4	000...255	Intensity amber (0 %...100 %)
5	Stroboscope	
	000...010	LED on
	011...020	LED off
	021...030	Single strobe pulse
	031...090	Strobe effect, increasing speed
	091...100	LED on
	101...170	Strobe pulses, increasing speed

Channel	Value	Function
	171...180	LED on
	181...240	Random strobe effect, increasing speed
	241...255	LED on

## 7.9 Functions in 5-channel DMX mode, variant B

Channel	Value	Function
1	000...255	Dimmer intensity from dark (0) to bright (255)
2	000...031	No function
	032...255	Colour temperature of 2700 K to 5800 K (see chart at <a href="#">↗ Chapter 7.11 'Colour temperature adjustment via DMX'</a> on page 64)
3	Stroboscope	

Channel	Value	Function
	000...010	LED on
	011...020	LED off
	021...030	Single strobe pulse
	031...090	Strobe effect, increasing speed
	091...100	LED on
	101...170	Strobe pulses, increasing speed
	171...180	LED on
	181...240	Random strobe effect, increasing speed
	241...255	LED on
4	Dimmer curves	
	000...010	Default setting of the device
	011...020	Dimmer curve <i>'Linear'</i>
	021...040	Dimmer curve <i>'Stage'</i>

Channel	Value	Function
	041...060	Dimmer curve <i>'TV'</i>
	061...080	Dimmer curve <i>'Architectural'</i>
	081...100	Dimmer curve <i>'Theatre'</i>
	101...120	Dimmer curve <i>'Stage2'</i>
	121	Delay 0.1 s
	122	Delay 0.2 s
	123	Delay 0.3 s
	124	Delay 0.4 s
	125	Delay 0.5 s
	126	Delay 0.6 s
	127	Delay 0.7 s
	128	Delay 0.8 s
	129	Delay 0.9 s

Channel	Value	Function
	130	Delay 1.0 s
	131	Delay 1.5 s
	132	Delay 2.0 s
	133	Delay 3.0 s
	134	Delay 4.0 s
	135	Delay 5.0 s
	136	Delay 6.0 s
	137	Delay 7.0 s
	138	Delay 8.0 s
	139	Delay 9.0 s
	140	Delay 10 s
	141...255	Default setting of the device
5	LED repetition rate	



Channel	Value	Function
	000...010	No function
	011...020	900 Hz
	021...030	1000 Hz
	031...040	1100 Hz
	041...050	1200 Hz
	051...060	1300 Hz
	061...070	1400 Hz
	071...080	1500 Hz
	081...090	2500 Hz
	091...100	4000 Hz
	101...110	5000 Hz
	111...120	6000 Hz
	121...130	10,000 Hz

Channel	Value	Function
	131...140	Default setting of the device
	Fan mode	
	141...150	Fan mode <i>'Silent'</i>
	151...160	Fan mode <i>'Smart'</i>
	161...170	Fan mode <i>'Max'</i>
	171...180	Default setting of the device
	181...255	No function

## 7.10 Functions in 9-channel DMX mode

Channel	Value	Function
1	000...255	Dimmer intensity from dark (0) to bright (255)
2	000...255	Intensity cold white (0 %...100 %)
3	000...255	Intensity warm white (0 %...100 %)
4	000...255	Intensity amber (0 %...100 %)
5	Stroboscope	
	000...010	LED on
	011...020	LED off
	021...030	Single strobe pulse
	031...090	Strobe effect, increasing speed
	091...100	LED on
	101...170	Strobe pulses, increasing speed

Channel	Value	Function
	171...180	LED on
	181...240	Random strobe effect, increasing speed
	241...255	LED on
6	000...255	Blinder mode, overrides channels 2, 3, and 4
7	000...031	No function
	032...255	Colour temperature of 2700 K to 5800 K (see chart at <a href="#">Chapter 7.11 'Colour temperature adjustment via DMX'</a> on page 64)
8	Dimmer curves	
	000...010	Default setting of the device
	011...020	Dimmer curve <i>'Linear'</i>
	021...040	Dimmer curve <i>'Stage'</i>
	041...060	Dimmer curve <i>'TV'</i>
	061...080	Dimmer curve <i>'Architectural'</i>

Channel	Value	Function
	081...100	Dimmer curve <i>'Theatre'</i>
	101...120	Dimmer curve <i>'Stage2'</i>
	121	Delay 0.1 s
	122	Delay 0.2 s
	123	Delay 0.3 s
	124	Delay 0.4 s
	125	Delay 0.5 s
	126	Delay 0.6 s
	127	Delay 0.7 s
	128	Delay 0.8 s
	129	Delay 0.9 s
	130	Delay 1.0 s
	131	Delay 1.5 s

Channel	Value	Function
	132	Delay 2.0 s
	133	Delay 3.0 s
	134	Delay 4.0 s
	135	Delay 5.0 s
	136	Delay 6.0 s
	137	Delay 7.0 s
	138	Delay 8.0 s
	139	Delay 9.0 s
	140	Delay 10 s
	141...255	Default setting of the device
9	LED repetition rate	
	000...010	No function
	011...020	900 Hz

Channel	Value	Function
	021...030	1000 Hz
	031...040	1100 Hz
	041...050	1200 Hz
	051...060	1300 Hz
	061...070	1400 Hz
	071...080	1500 Hz
	081...090	2500 Hz
	091...100	4000 Hz
	101...110	5000 Hz
	111...120	6000 Hz
	121...130	10,000 Hz
	131...140	Default setting of the device
	Fan mode	

Channel	Value	Function
	141...150	Fan mode ' <i>Silent</i> '
	151...160	Fan mode ' <i>Smart</i> '
	161...170	Fan mode ' <i>Max</i> '
	171...180	Default setting of the device
	181...255	No function

## 7.11 Colour temperature adjustment via DMX

Colour temperature	Cold white	Warm white	Amber	DMX value
Without function				000...031
2700 K	000	255	235	032...038



<b>Colour temperature</b>	<b>Cold white</b>	<b>Warm white</b>	<b>Amber</b>	<b>DMX value</b>
2800 K	000	255	143	039...045
2900 K	000	255	093	046...052
3000 K	000	255	044	053...059
3100 K	000	255	035	060...066
3200 K	000	255	020	067...073
3300 K	000	255	000	074...080
3400 K	022	255	000	081...087
3500 K	034	255	000	088...094
3600 K	048	255	000	095...101
3700 K	068	255	000	102...108
3800 K	080	255	000	109...115
3900 K	091	255	000	116...122
4000 K	115	255	000	123...129

## Operating

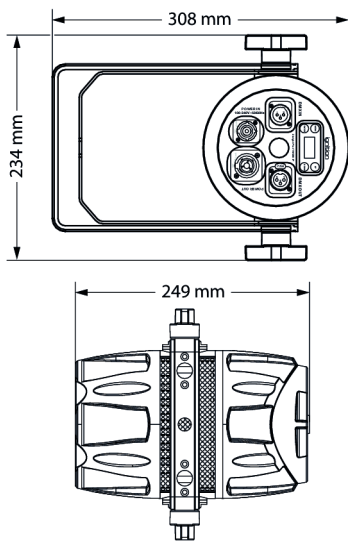
---

<b>Colour temperature</b>	<b>Cold white</b>	<b>Warm white</b>	<b>Amber</b>	<b>DMX value</b>
4100 K	130	255	000	130...136
4200 K	150	255	000	137...143
4300 K	170	255	000	144...150
4400 K	200	255	000	151...157
4500 K	230	255	000	158...164
4600 K	255	240	000	165...171
4700 K	255	220	000	172...178
4800 K	255	180	000	179...185
4900 K	255	160	000	186...192
5000 K	255	130	000	193...199
5100 K	255	105	000	200...206
5200 K	255	090	000	207...213
5300 K	255	070	000	214...220

---

<b>Colour temperature</b>	<b>Cold white</b>	<b>Warm white</b>	<b>Amber</b>	<b>DMX value</b>
5400 K	255	060	000	221...227
5500 K	255	045	000	228...234
5600 K	255	030	000	235...241
5700 K	255	015	000	242...248
5800 K	255	000	000	249...255

## 8 Technical specifications



Light source		1 × 3in1 WW/CW/A COB LED, 200 W
Optical properties	Colour temperature	2700 K...5800 K
	Beam angle	50°
	CRI	95
	Repetition rate	900 Hz...10 kHz
Control		DMX
		RDM
		Buttons and display
Number of DMX channels		1, 2, 3, 5, 9
Input connections	Power supply	Lockable input socket Power Twist TR1 IP65
	DMX control	XLR chassis socket (IP65), 3-pin
Output connections	Power supply	Lockable output socket Power Twist TR1 IP65

	DMX control	XLR chassis-mounted coupling (IP65), 3-pin
Power consumption		135 W
Supply voltage		100 - 240 V ~ 50/60 Hz
Degree of protection		IP65
Mounting options		Hanging, standing
Dimensions (W × H × D), with bracket		234 mm × 308 mm × 249 mm
Weight		4.2 kg
Ambient conditions	Temperature range	-5 °C...+45 °C
	Relative humidity	20 %...80 % (non-condensing)

### Further information

Construction	Outdoor housing, cannon
Number of LEDs	1
Colour mixture	CW/WW/A
LED type	COB
Floor housing	Yes
Fanless	No
Remote control	Not possible
Wireless DMX	No
Housing colour	Black

# 9 Plug and connection assignments

## Introduction

This chapter will help you select the right cables and plugs to connect your valuable equipment so that a perfect light experience is guaranteed.

Please take our tips, because especially in 'Sound & Light' caution is indicated: Even if a plug fits into a socket, the result of an incorrect connection may be a destroyed DMX controller, a short circuit or 'just' a not working light show!

## DMX connections

The unit offers a 3-pin XLR socket for DMX output and a 3-pin XLR plug for DMX input. Please refer to the drawing and table below for the pin assignment of a suitable XLR plug.



Pin	Configuration
1	Ground, shielding
2	Signal inverted (DMX-, 'cold signal')
3	Signal (DMX+, 'hot signal')

## 10 Troubleshooting



### **NOTICE!**

#### **Possible data transmission errors**

For error-free operation make use of dedicated DMX cables and do not use ordinary microphone cables.

Never connect the DMX input or output to audio devices such as mixers or amplifiers.

In the following we list a few common problems that may occur during operation. We give you some suggestions for easy troubleshooting:



Symptom	Remedy
The unit does not work, no light.	Check the mains connection and the fuse.
No response to the DMX controller.	1. Check the DMX ports and cables for proper connection.
	2. Check the address settings and the DMX polarity.
	3. Try using another DMX controller.
	4. Check to see if the DMX cables run near or alongside to high voltage cables that may cause damage or interference to DMX interface circuits.

If the procedures recommended above do not succeed, please contact our Service Center. You can find the contact information at [www.thomann.de](http://www.thomann.de).

## 11 Cleaning

### Optical lenses

Clean the optical lenses, that are accessible from the outside, regularly in order to optimize the light output. The frequency of cleaning depends on the operating environment: wet, smoky or particularly dirty surroundings can cause more accumulation of dirt on the optics of the device.

- Clean with a soft cloth using our lamp and lens cleaner (item no. 280122).
- Always dry the parts carefully.

## 12 Protecting the environment

### Disposal of the packaging material



For the transport and protective packaging, environmentally friendly materials have been chosen that can be supplied to normal recycling.

Ensure that plastic bags, packaging, etc. are properly disposed of.

Do not just dispose of these materials with your normal household waste, but make sure that they are collected for recycling. Please follow the notes and markings on the packaging.

### Disposal of your old device



This product is subject to the European Waste Electrical and Electronic Equipment Directive (WEEE) in its currently valid version. Do not dispose with your normal household waste.

Dispose of this device through an approved waste disposal firm or through your local waste facility. When discarding the device, comply with the rules and regulations that apply in your country. If in doubt, consult your local waste disposal facility.









