




STAIRVILLE

Retro Flat Par
18x10W RGBWA UV,
18x12W RGBW,
18x12W RGB WW

LED PAR

Musikhaus Thomann
Thomann GmbH
Hans-Thomann-Straße 1
96138 Burgebrach
Germany
Telephone: +49 (0) 9546 9223-0
E-mail: info@thomann.de
Internet: www.thomann.de

16.12.2020, ID: 404358, 404364, 508985 (V4)

Table of contents

1	General information	6
1.1	Further information.....	7
1.2	Notational conventions.....	8
1.3	Symbols and signal words.....	9
2	Safety instructions	12
3	Features	18
4	Installation	20
5	Starting up	24
6	Connections and controls	27
7	Operating	30
7.1	Operating mode 'Manual'.....	31
7.2	Operating mode 'Auto Run Mode'.....	34
7.3	Operating mode 'Sound Mode'.....	35
7.4	Operating mode 'Slave'.....	35
7.5	Operating mode 'Static Colour'.....	36

7.6	Settings menu.....	38
7.7	Information menu.....	44
7.8	Operating mode 'DMX'.....	45
7.9	Menu overview.....	47
7.10	Functions in 6-channel DMX mode (Retro Flat Par 18x10W RGBWA UV, item no. 404358).....	51
7.11	Functions in 8-channel DMX mode (Retro Flat Par 18x10W RGBWA UV, item no. 404358).....	52
7.12	Functions in 10-channel DMX mode (Retro Flat Par 18x10W RGBWA UV, item no. 404358).....	53
7.13	Functions in 4-channel DMX mode (Retro Flat Par 18x12W RGBW, item no. 404364).....	57
7.14	Functions in 6-channel DMX mode (Retro Flat Par 18x12W RGBW, item no. 404364).....	57
7.15	Functions in 8-channel DMX mode (Retro Flat Par 18x12W RGBW, item no. 404364).....	58
7.16	Functions in 4-channel DMX mode (Retro Flat Par 18x12W RGB WW, item no. 508985).....	62
7.17	Functions in 6-channel DMX mode (Retro Flat Par 18x12W RGB WW, item no. 508985).....	62

7.18	Functions in 8-channel DMX mode (Retro Flat Par 18x12W RGB WW, item no. 508985).....	63
8	Technical specifications.....	67
9	Plug and connection assignments.....	71
10	Troubleshooting.....	72
11	Cleaning.....	74
12	Protecting the environment.....	75

1 General information

This user manual contains important information on the safe operation of the device. Read and follow all safety notes and all instructions. Save this manual for future reference. Make sure that it is available to all persons using this device. If you sell the device to another user, be sure that they also receive this manual.

Our products and user manuals are subject to a process of continuous development. We therefore reserve the right to make changes without notice. Please refer to the latest version of the user manual which is ready for download under www.thomann.de.

1.1 Further information

On our website (www.thomann.de) you will find lots of further information and details on the following points:

Download	This manual is also available as PDF file for you to download.
Keyword search	Use the search function in the electronic version to find the topics of interest for you quickly.
Online guides	Our online guides provide detailed information on technical basics and terms.
Personal consultation	For personal consultation please contact our technical hotline.
Service	If you have any problems with the device the customer service will gladly assist you.

1.2 Notational conventions

This manual uses the following notational conventions:

Letterings

The letterings for connectors and controls are marked by square brackets and italics.

Examples: *[VOLUME]* control, *[Mono]* button.

Displays

Texts and values displayed on the device are marked by quotation marks and italics.

Examples: *'24ch'*, *'OFF'*.

Instructions



The individual steps of an instruction are numbered consecutively. The result of a step is indented and highlighted by an arrow.



Example:

1. ▶ Switch on the device.
2. ▶ Press *[Auto]*.
 - ⇒ Automatic operation is started.
3. ▶ Switch off the device.

1.3 Symbols and signal words

In this section you will find an overview of the meaning of symbols and signal words that are used in this manual.

Signal word	Meaning
DANGER!	This combination of symbol and signal word indicates an immediate dangerous situation that will result in death or serious injury if it is not avoided.
WARNING!	This combination of symbol and signal word indicates a possible dangerous situation that can result in death or serious injury if it is not avoided.
NOTICE!	This combination of symbol and signal word indicates a possible dangerous situation that can result in material and environmental damage if it is not avoided.
Warning signs	Type of danger
	Warning – high-voltage.
	Warning – dangerous optical radiation.

Warning signs	Type of danger
	Warning – suspended load.
	Warning – danger zone.

Retro Flat Par 18x10W RGBWA UV, 18x12W RGBW, 18x12W RGB WW

2 Safety instructions

Intended use

This device is intended for use as an electronic lighting effect by means of LED technology. The device is designed for professional use only and is not suitable for use in households. Use the device only as described in this user manual. Any other use or use under other operating conditions is considered to be improper and may result in personal injury or property damage. No liability will be assumed for damages resulting from improper use.

This device may be used only by persons with sufficient physical, sensorial, and intellectual abilities and having corresponding knowledge and experience. Other persons may use this device only if they are supervised or instructed by a person who is responsible for their safety.



Extend the operating life of the device by regular breaks and by avoiding frequent switching on and off. The device is not suitable for continuous operation.

Safety**DANGER!****Danger for children**

Ensure that plastic bags, packaging, etc. are disposed of properly and are not within reach of babies and young children. Choking hazard!

Ensure that children do not detach any small parts (e.g. knobs or the like) from the unit. They could swallow the pieces and choke!

Never let children unattended use electrical devices.

**DANGER!****Electric shock caused by high voltages inside**

Within the device there are areas where high voltages may be present. Never remove any covers.

There are no user-serviceable parts inside.

Do not use the device if covers, protectors or optical components are missing or damaged.



DANGER!

Electric shock caused by short-circuit

Always use proper ready-made insulated mains cabling (power cord) with a protective contact plug. Do not modify the mains cable or the plug. Failure to do so could result in electric shock/death or fire. If in doubt, seek advice from a registered electrician.



WARNING!

Eye damage caused by high light intensity

Never look directly into the light source.



WARNING!

Risk of epileptic shock

Strobe lighting can trigger seizures in photosensitive epilepsy. Sensitive persons should avoid looking at strobe lights.



NOTICE!

Risk of fire

Do not block areas of ventilation. Do not install the device near any direct heat source. Keep the device away from naked flames.



NOTICE!

Operating conditions

This device has been designed for indoor use only. To prevent damage, never expose the device to any liquid or moisture. Avoid direct sunlight, heavy dirt, and strong vibrations.

Only operate the device within the ambient conditions specified in the chapter 'Technical specifications' of this user manual. Avoid heavy temperature fluctuations and do not switch the device on immediately after it was exposed to temperature fluctuations (for example after transport at low outside temperatures).

Dust and dirt inside can damage the unit. When operated in harmful ambient conditions (dust, smoke, nicotine, fog, etc.), the unit should be maintained by qualified service personnel at regular intervals to prevent overheating and other malfunction.



NOTICE!

Power supply

Before connecting the device, ensure that the input voltage (AC outlet) matches the voltage rating of the device and that the AC outlet is protected by a residual current circuit breaker. Failure to do so could result in damage to the device and possibly injure the user.

Unplug the device before electrical storms occur and when it is unused for long periods of time to reduce the risk of electric shock or fire.



NOTICE!

Possible damage due to installation of a wrong fuse

The use of different types of fuses can cause serious damage to the unit. Fire hazard!

Only fuses of the same type may be used.

3 Features

The LED PAR is particularly suitable for professional lighting tasks, for example at events, on rock stages and in theatres and musicals. The device is characterised by compact design and particularly high light output.

Special features of the device:

- – Retro Flat Par 18x10W RGBWA UV (item no. 404358): 18 6-in-1 LEDs, 10 W each
- Retro Flat Par 18x12W RGBW (item no. 404364): 18 4-in-1 LEDs, 12 W each
- Retro Flat Par 18x12W RGB WW (item no. 508985): 18 4-in-1 LEDs, 12 W each
- Control via DMX (three different modes), via buttons and display on the unit as well as an optionally available IR remote control (item no. 354223)
- 14 preprogrammed automatic shows
- Sound control
- Master / slave mode
- Replaceable lens unit
- Robust metal housing

For technological reasons, the light output of LEDs decreases over their lifetime. This effect increases with higher operating temperature. You can extend the service life of the illuminants by providing adequate ventilation and operating the LEDs with the lowest possible brightness.

4 Installation

Unpack and check carefully there is no transportation damage before using the unit. Keep the equipment packaging. To fully protect the product against vibration, dust and moisture during transportation or storage use the original packaging or your own packaging material suitable for transport or storage, respectively.



WARNING!

Risk of injury caused by falling objects

Make sure that the installation complies with the standards and rules that apply in your country. Always secure the device with a secondary safety attachment, such as a safety cable or a safety chain.



NOTICE!

Risk of overheating

The distance between light output and the illuminated surface must be more than 1.5 m (19.7in).

Provide sufficient ventilation.

The ambient temperature must always be below 40 °C (104 °F).



NOTICE!

Use of stands

When mounting the device onto a stand, ensure that the stand is in a safe and stable position and that the weight of the device does not exceed the maximum permissible load capacity of the stand.



NOTICE!

Possible data transmission errors

For error-free operation make use of dedicated DMX cables and do not use ordinary microphone cables.

Never connect the DMX input or output to audio devices such as mixers or amplifiers.



Please note that this device must not be connected to a dimmer.

Mounting options

You can install the unit in hanging or standing position. When in use, the device must always be attached to a solid surface or an approved truss. Use the openings provided on the two-piece bracket for attaching.

Always work from a stable platform whenever installing, moving or servicing the unit. In doing so, the area underneath the unit must be cordoned off.

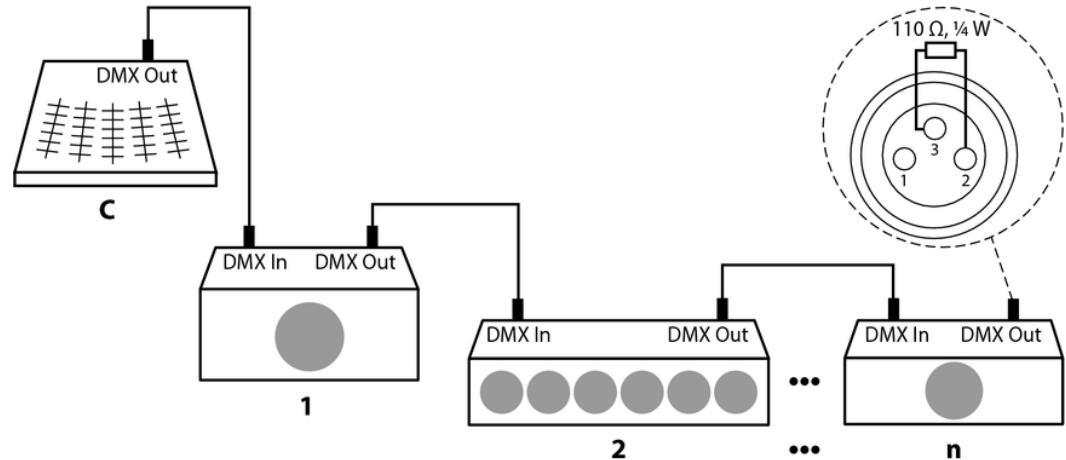
Additionally secure the device by a safety cable against falling.

5 Starting up

Create all connections while the device is off. Use the shortest possible high-quality cables for all connections. Take care when running the cables to prevent tripping hazards.

Connections in DMX mode

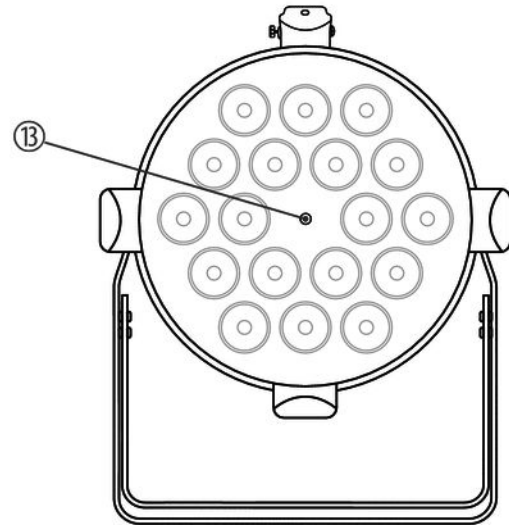
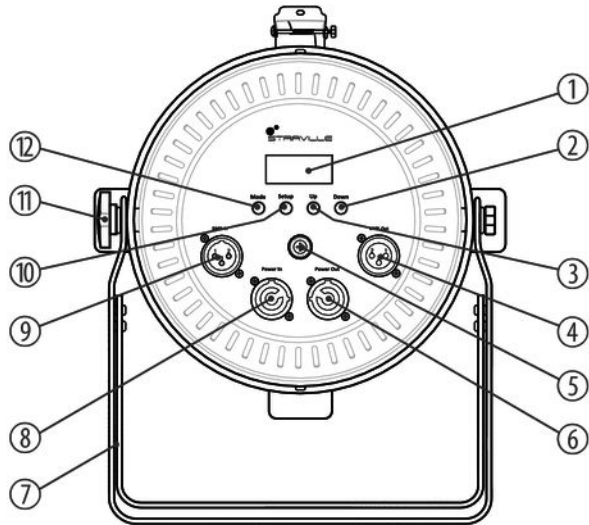
Connect the DMX input of the device to the DMX output of a DMX controller or another DMX device. Connect the output of the first DMX device to the input of the second one, and so on to form a daisy chain. Always ensure that the output of the last DMX device in the daisy chain is terminated with a resistor ($110\ \Omega$, $\frac{1}{4}\ \text{W}$).



Connections in master/slave mode

When you configure a group of devices in master/slave mode, the first unit will control the other units for an automatic, sound-activated, synchronized show. This function is ideal when you want to start a show immediately. Connect the DMX output of the master device to the DMX input of the first slave device. Then connect the DMX output of the first slave device to the DMX input of the second slave device and so on.

6 Connections and controls



Retro Flat Par 18x10W RGBWA UV, 18x12W RGBW, 18x12W RGB WW

1	Display
2	<i>[Setup]</i> Selects an option of the respective operating mode.
3	<i>[Up]</i> Increases the displayed value by one.
4	<i>[DMX Out]</i> DMX output
5	Fuse holder. Should the fuse have blown, disconnect the unit from the power supply and replace the fuse with a new fuse of the same type.
6	<i>[Power Out]</i> Lockable output socket (Power Twist) to supply further units.
7	Bracket for floor placement or hanging.
8	<i>[Power In]</i> Lockable input socket (Power Twist) for power supply.

9	<i>[DMX In]</i> DMX input
10	<i>[Down]</i> Decreases the displayed value by one.
11	Locking screws for the mounting brackets.
12	<i>[Mode]</i> Activates the main menu, saves changes.
13	Infrared sensor for the signals of an IR remote control.

7 Operating

Connect the device to the power supply to start operation. After a few seconds, the display indicates that a reset is in progress. The device is then ready for use.

Press *[Mode]* to activate the main menu and select an operating mode. Use *[Setup]* to select further options. Use *[Up]* and *[Down]* to change the respectively displayed value. Press *[Setup]* to confirm the selection.

The display is turned off after an adjustable period of time without keystroke. The set values are retained even when the device is disconnected from the mains power supply.

7.1 Operating mode 'Manual'

This operating mode can only be activated when the unit is operating in stand alone mode or as master in a master / slave combination. This setting is only relevant if the device is not controlled via DMX.

1. ▶ Press *[Mode]* and use *[Up]* and *[Down]* to select the menu item '*PROGRAM*' and confirm with *[Setup]*.
2. ▶ Use *[Up]* and *[Down]* to select the desired programme (01 ... 14) and confirm with *[Setup]*.
 - ⇒ The device starts the selected automatic show programme with different colour and light effects.

Settings for programme 01

If you have selected programme 01 and confirmed with *'Setup'*, you can use *[Up]* and *[Down]* to select one of the static colour settings for all LEDs, see the following table:

Colour	Display		
	Retro Flat Par 18x10W RGBWA UV (item no. 404358)	Retro Flat Par 18x12W RGBW (item no. 404364)	Retro Flat Par 18x12W RGB WW (item no. 508985)
Blackout	<i>'Black'</i>	<i>'Black'</i>	<i>'Black'</i>
Red	<i>'Red'</i>	<i>'Red'</i>	<i>'Red'</i>
Green	<i>'Green'</i>	<i>'Green'</i>	<i>'Green'</i>
Blue	<i>'Blue'</i>	<i>'Blue'</i>	<i>'Blue'</i>
White	<i>'White'</i>	<i>'White'</i>	<i>'White'</i>
Amber	<i>'Amber'</i>	<i>'Amber'</i>	<i>'Amber'</i>
UV	<i>'UV'</i>	–	–
Orange	<i>'Orange'</i>	<i>'Orange'</i>	<i>'Orange'</i>
Yellow	<i>'Yellow'</i>	<i>'Yellow'</i>	<i>'Yellow'</i>

Colour	Display		
	Retro Flat Par 18x10W RGBWA UV (item no. 404358)	Retro Flat Par 18x12W RGBW (item no. 404364)	Retro Flat Par 18x12W RGB WW (item no. 508985)
Purple	'Purple'	'Purple'	'Purple'
Pink	'Pink'	'Pink'	'Pink'
Cyan	'Cyan'	'Cyan'	'Cyan'
Light red	'Light Red'	'Light Red'	'Light Red'
Light green	'Light Green'	'Light Green'	'Light Green'
Light blue	'Light Blue'	'Light Blue'	'Light Blue'
Warm white	'Warm White'	'Warm White'	'Warm White'
Cold white	'Cold White'	'Cold White'	'Cold White'

After selecting the programme 01, press [Setup] again and set the program sequence speed with [Up] and [Down] in the range from '001' ... '100' (slow ... fast).

Settings for programmes 02 ... 14

When you have selected one of programmes 02 ... 14 you can adjust the following settings:

1. ➤ After selecting a programme, press *[Setup]* again and set the program sequence speed with *[Up]* and *[Down]* in the range from '001' ... '100' (slow ... fast).
2. ➤ Press *[Setup]* again and set the flashing speed for the strobe function with *[Up]* and *[Down]* in the range from '000' ... '099' (slow ... fast).

7.2 Operating mode 'Auto Run Mode'

This operating mode can only be activated when the unit is operating in stand alone mode or as master in a master / slave combination. This setting is only relevant if the device is not controlled via DMX.

Press *[Mode]*, use *[Up]* and *[Down]* to select the menu item 'AUTO' and confirm with *[Setup]*. The unit will cycle through the preprogrammed automatic programs.

7.3 Operating mode 'Sound Mode'

This setting is only relevant if the device is working as Slave in a Master / Slave configuration and is not controlled via DMX. In this operating mode, the device responds to acoustic pulses which are recorded by the integrated microphone.

1. ▶ Press *[Mode]*, use *[Up]* and *[Down]* to select the menu item 'SOUND' and confirm with *[Setup]*.
2. ▶ Use *[Up]* and *[Down]* to select the sensitivity of the built-in microphone in a range from '00' ... '31' (minimum ... maximum sensitivity) and confirm with *[Setup]*.
 - ⇒ The unit will cycle through the preprogrammed automatic programs and will be controlled by the music.

7.4 Operating mode 'Slave'

This setting is only relevant if the device is working as Slave in a Master / Slave configuration and is not controlled via DMX.

- Press *[Mode]*, use *[Up]* and *[Down]* to select the menu item 'SLAVE' and confirm with *[Setup]*.
- ⇒ The device follows the 'Master's' actions.

7.5 Operating mode 'Static Colour'

This setting is only relevant if the device is working in Stand Alone mode and is not controlled via DMX. In this operating mode, you have the option to select a self-defined mixing colour for continuous operation.

1. ➤ Press *[Mode]*, use *[Up]* and *[Down]* to select the menu item 'DIMMER' and confirm with *[Setup]*.
2. ➤ Use *[Up]* and *[Down]* to specify the intensity for each basic colour in a range from '000' ... '255' (bright ... dark) and confirm with *[Setup]*.
 - Retro Flat Par 18x10W RGBWA UV (item no. 404358): Red, green, blue, white, amber, UV
 - Retro Flat Par 18x12W RGBW (item no. 404364): Red, green, blue, white
 - Retro Flat Par 18x12W RGB WW (item no. 508985): Red, green, blue, warm whitePress *[Mode]*.
⇒ The correspondingly mixed colour lights permanently.

7.6 Settings menu

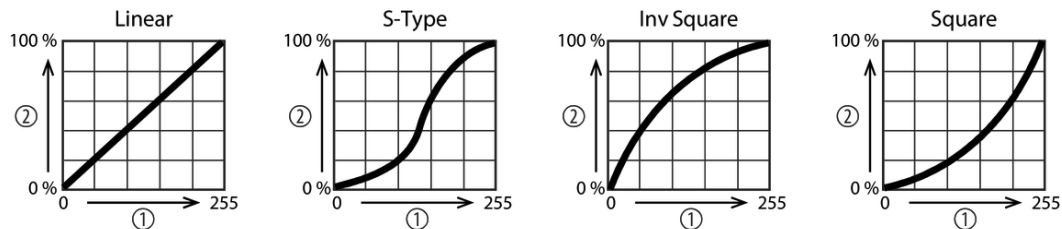
Dimmer curve

1. ➤ Press *[Mode]*, use *[Up]* and *[Down]* to select the menu item 'SETTINGS' and confirm with *[Setup]*.
2. ➤ Use *[Up]* and *[Down]* to select the menu item 'Curves Select' and confirm with *[Setup]*.
3. ➤ Use *[Up]* and *[Down]* to select one of the following dimmer curves. The dimmer curve determines how the brightness increases or decreases depending on the set DMX value.

Display	Meaning
'Linear'	Linear (proportional) course
'S Curve'	Non-linear curve with a distinctive flat profile at the beginning and end
'I Square'	Inverted quadratic curve with a steep course at the beginning and a flat course at the end
'Square'	Inverted square curve with a steep profile at the beginning and flat profile at the end

The below figure schematically shows the adjustable dimmer curves. Depending on the selected DMX value (1) the device lights with a brightness (2) between 0 % and 100 %. Confirm the selection with 'Setup'. Press [Mode].

⇒ The selection is applied.



Dimmer speed

1. ➤ Press *[Mode]*, use *[Up]* and *[Down]* to select the menu item '*SETTINGS*' and confirm with *[Setup]*.
2. ➤ Use *[Up]* and *[Down]* to select the menu item '*Dimmer Speed*' and confirm with *[Setup]*.
3. ➤ Use *[Up]* and *[Down]* to select one of the following options:
 - '*D-Speed Fast*': Fast response
 - '*D-Speed Smooth*': Slow response

Confirm the selection with '*Setup*'. Press *[Mode]*.

⇒ The selection is applied.

Display illumination

1. ➤ Press *[Mode]*, use *[Up]* and *[Down]* to select the menu item 'SETTINGS' and confirm with *[Setup]*.
2. ➤ Use *[Up]* and *[Down]* to select the menu item 'LCD back light' and confirm with *[Setup]*.
3. ➤ Use *[Up]* and *[Down]* to set the time after which the display will be darkened automatically. Choose between 10 s, 20 s, 30 s, 60 s or 'ON' (the display remains permanently on).
Confirm the selection with 'Setup'. Press *[Mode]*.
⇒ The selection is applied.

Reset

1. ➤ Press *[Mode]*, use *[Up]* and *[Down]* to select the menu item 'SETTINGS' and confirm with *[Setup]*.
2. ➤ Use *[Up]* and *[Down]* to select the menu item 'Factory Reset' and confirm with *[Setup]*.
3. ➤ Use *[Up]* and *[Down]* to choose between 'Yes' (perform reset) and 'No' (no reset). Select 'Yes'.
Confirm the selection with 'Setup'.
⇒ The device is reset to the default settings.

Behaviour when DMX transmission is interrupted

1. ➤ Press *[Mode]*, use *[Up]* and *[Down]* to select the menu item 'SETTINGS' and confirm with *[Setup]*.
2. ➤ Use *[UP]* and *[DOWN]* to select the menu item 'DMX Fail' and confirm with *[Setup]*.
3. ➤ Use *[Up]* and *[Down]* to choose how the device behaves in case of a disturbed DMX transmission: 'Hold' (the current state is retained) and 'Off' (device blackout).
Confirm the selection with 'Setup'. Press *[Mode]*.
⇒ The selection is applied.

DMX synchronisation

1. ➤ Press *[Mode]*, use *[Up]* and *[Down]* to select the menu item '*SETTINGS*' and confirm with *[Setup]*.
2. ➤ Use *[Up]* and *[Down]* to select the menu item '*DMX Synchronous*' and confirm with *[Setup]*.
3. ➤ With *[Up]* and *[Down]* to choose how connected devices behaves in case of a disturbed DMX transmission: '*ON*' (devices are synchronised with each other) and '*Off*' (no synchronisation).

Confirm the selection with '*Setup*'. Press *[Mode]*.

⇒ The selection is applied.

7.7 Information menu

Device temperature

1. ▶ Press *[Mode]*, use *[Up]* and *[Down]* to select the menu item 'INFO' and confirm with *[Setup]*.
2. ▶ Use *[Up]* and *[Down]* to select the menu item 'Temperature' and confirm with *[Setup]*.
 - ⇒ The display shows whether the unit's temperature is within the normal range (display is 'Normal'), or whether it is too high (display is 'Warning! Error...').
3. ▶ Press *[Mode]*.
 - ⇒ The menu is closed.

Software version

1. ➤ Press *[Mode]*, use *[Up]* and *[Down]* to select the menu item '*INFO*' and confirm with *[Setup]*.
2. ➤ Use *[Up]* and *[Down]* to select the menu item '*Software-Version*' and confirm with *[Setup]*.
 - ⇒ The display shows the current software version used by the device.
3. ➤ Press *[Mode]*.
 - ⇒ The menu is closed.

7.8 Operating mode 'DMX'

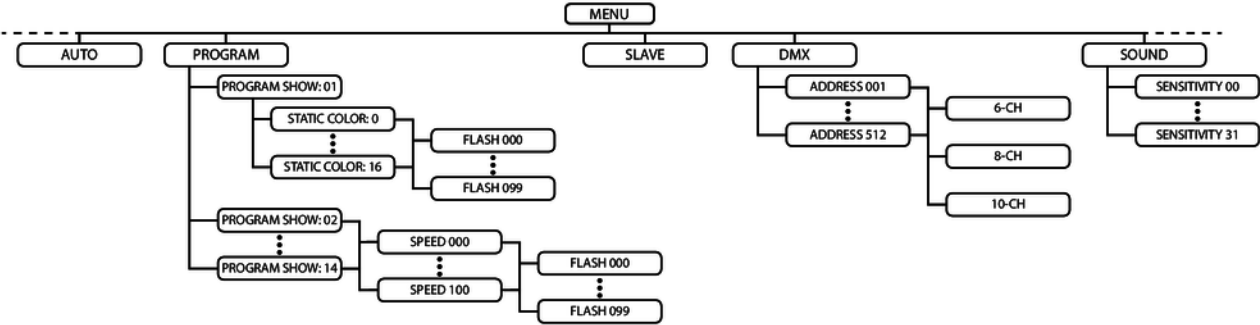
This setting is only relevant if the device is controlled via a DMX controller.

1. ➤ Press *[Mode]*, use *[Up]* and *[Down]* to select the menu item '*DMX*' and confirm with *[Setup]*.
2. ➤ Use *[Up]* and *[Down]* to assign a DMX address in a range from '*001*' ... '*512*' to the device and confirm with *[Setup]*.

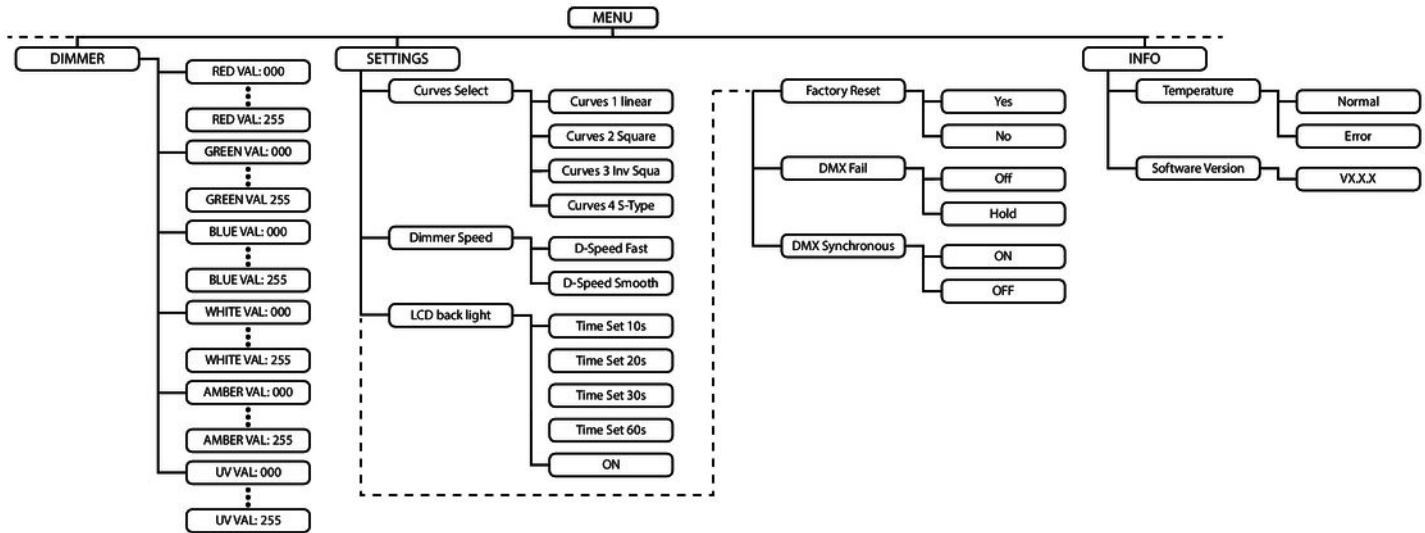
3. ▶ Use *[Up]* and *[Down]* to select the desired DMX mode:
 - Retro Flat Par 18x10W RGBWA UV (item no. 404358): 6-channel, 8-channel or 10-channel
 - Retro Flat Par 18x12W RGBW (item no. 404364): 4-channel, 6-channel or 8-channel
 - Retro Flat Par 18x12W RGB WW (item no. 508985): 4-channel, 6-channel or 8-channel
4. ▶ Confirm with *[Setup]*.
5. ▶ Press *[Mode]*.
 - ⇒ The menu is closed.

7.9 Menu overview

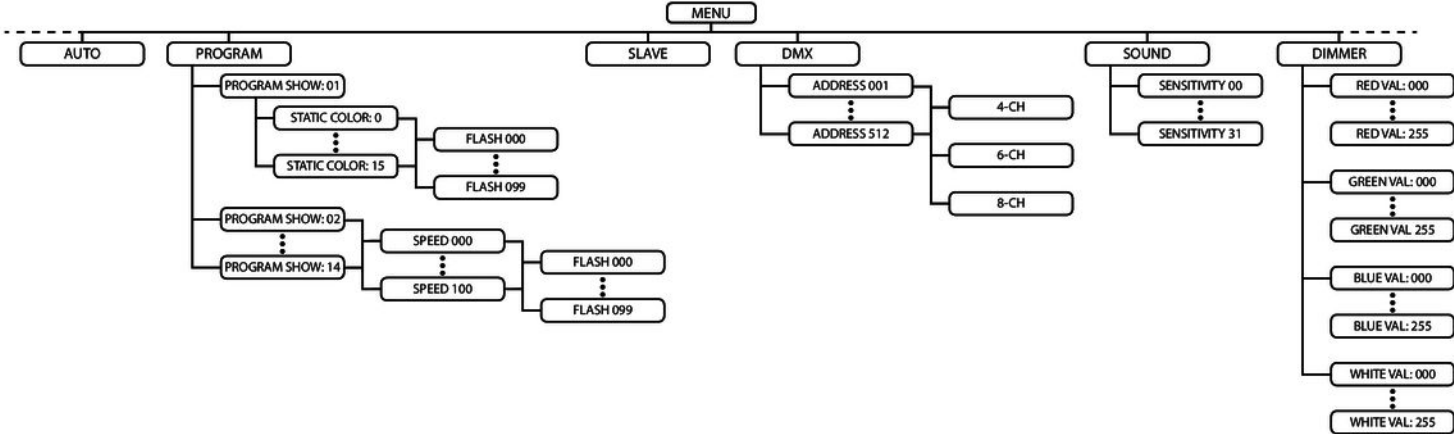
Retro Flat Par 18x10W RGBWA UV (item no. 404358), part 1



**Retro Flat Par 18x10W RGBWA
UV (item no. 404358), part 2**



Retro Flat Par 18x12W RGBW
(item no. 404364)
Retro Flat Par 18x12W RGB WW
(item no. 508985), part 1



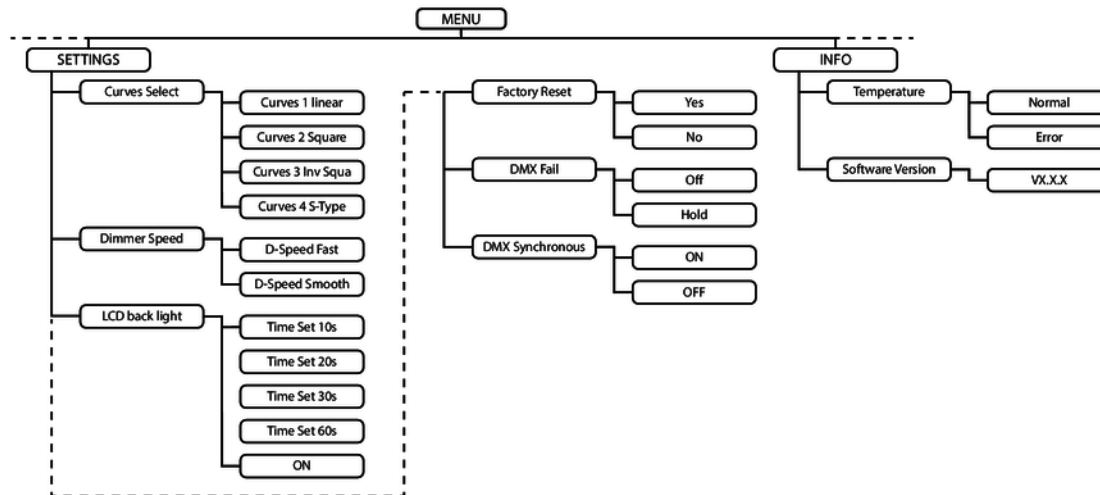
Retro Flat Par 18x10W RGBWA UV, 18x12W RGBW, 18x12W RGB WW

Retro Flat Par 18x12W RGBW

(item no. 404364)

Retro Flat Par 18x12W RGB WW

(item no. 508985), part 2



7.10 Functions in 6-channel DMX mode (Retro Flat Par 18x10W RGBWA UV, item no. 404358)

Channel	Value	Function
1	0...255	Intensity red (0 % to 100 %)
2	0...255	Intensity green (0 % to 100 %)
3	0...255	Intensity blue (0 % to 100 %)
4	0...255	Intensity white (0 % to 100 %)
5	0...255	Intensity amber (0 % to 100 %)
6	0...255	Intensity UV (0 % to 100 %)

7.11 Functions in 8-channel DMX mode (Retro Flat Par 18x10W RGBWA UV, item no. 404358)

Channel	Value	Function
1	0...255	Dimmer (0 % to 100 %)
2	0...255	Intensity red (0 % to 100 %)
3	0...255	Intensity green (0 % to 100 %)
4	0...255	Intensity blue (0 % to 100 %)
5	0...255	Intensity white (0 % to 100 %)
6	0...255	Intensity amber (0 % to 100 %)
7	0...255	Intensity UV (0 % to 100 %)
8	0...255	Stroboscope effect (0 % to 100 %)

7.12 Functions in 10-channel DMX mode (Retro Flat Par 18x10W RGBWA UV, item no. 404358)

Channel	Value	Function
1	0...255	Dimmer (0 % to 100 %)
2	0...255	Intensity red (0 % to 100 %)
3	0...255	Intensity green (0 % to 100 %)
4	0...255	Intensity blue (0 % to 100 %)
5	0...255	Intensity white (0 % to 100 %)
6	0...255	Intensity amber (0 % to 100 %)
7	0...255	Intensity UV (0 % to 100 %)
8	Programme	
	0	No function
	1...16	Programme 01 colour selection with channel 9

Channel	Value	Function
	17...33	Programme 02
	34...50	Programme 03
	51...67	Programme 04
	68...84	Programme 05
	85...101	Programme 06
	102...118	Programme 07
	119...135	Programme 08
	136...152	Programme 09
	153...169	Programme 10
	170...186	Programme 11
	187...203	Programme 12
	204...220	Programme 13
	221...237	Programme 14

Channel	Value	Function
	238...255	Sound control
9	Colour selection, If channel 8 = 1...16	
	0...14	R (0), G (0), B (0), W (0), A(0), I(0)
	15...29	R (255), G (0), B (0), W (0), A(0), I(0)
	30...44	R (0), G (255), B (0), W (0), A(0), I(0)
	45...59	R (0), G (0), B (255), W (0), A(0), I(0)
	60...74	R (0), G (0), B (0), W (255), A(0), I(0)
	75...89	R (0), G (0), B (0), W (0), A(255), I(0)
	90...104	R (0), G (0), B (0), W (0), A(0), I(255)
	105...119	R (255), G (180), B (0), W (0), A(0), I(0)
	120...134	R (255), G (255), B (0), W (0), A(0), I(0)
	135...149	R (255), G (0), B (255), W (0), A(0), I(0)
	150...164	R (255), G (0), B (140), W (0), A(0), I(0)

Retro Flat Par 18x10W RGBWA UV, 18x12W RGBW, 18x12W RGB WW

Channel	Value	Function
	165...179	R (0), G (255), B (255), W (0), A(0), I(0)
	180...194	R (255), G (0), B (0), W (210), A(0), I(0)
	195...209	R (0), G (255), B (0), W (210), A(0), I(0)
	210...224	R (0), G (0), B (255), W (210), A(0), I(0)
	225...239	R (255), G (200), B (40), W (90), A(0), I(0)
	240...255	R (255), G (255), B (255), W (255), A(255), I(255)
	0...255	Progress speed, if channel 8 = 17...237, from slow to fast
	0...255	Sensitivity of the built-in microphone for the music control, if channel 8 = 238...255
10	0...255	Stroboscope effect (0 % to 100 %)

7.13 Functions in 4-channel DMX mode (Retro Flat Par 18x12W RGBW, item no. 404364)

Channel	Value	Function
1	0...255	Intensity red (0 % to 100 %)
2	0...255	Intensity green (0 % to 100 %)
3	0...255	Intensity blue (0 % to 100 %)
4	0...255	Intensity white (0 % to 100 %)

7.14 Functions in 6-channel DMX mode (Retro Flat Par 18x12W RGBW, item no. 404364)

Channel	Value	Function
1	0...255	Dimmer (0 % to 100 %)
2	0...255	Intensity red (0 % to 100 %)
3	0...255	Intensity green (0 % to 100 %)

Retro Flat Par 18x10W RGBWA UV, 18x12W RGBW, 18x12W RGB WW

Channel	Value	Function
4	0...255	Intensity blue (0 % to 100 %)
5	0...255	Intensity white (0 % to 100 %)
6	0...255	Stroboscope effect (0 % to 100 %)

7.15 Functions in 8-channel DMX mode (Retro Flat Par 18x12W RGBW, item no. 404364)

Channel	Value	Function
1	0...255	Dimmer (0 % to 100 %)
2	0...255	Intensity red (0 % to 100 %)
3	0...255	Intensity green (0 % to 100 %)
4	0...255	Intensity blue (0 % to 100 %)
5	0...255	Intensity white (0 % to 100 %)

Channel	Value	Function
6	Programme	
	0	Blackout
	1...16	Programme 01 colour selection with channel 7
	17...33	Programme 02
	34...50	Programme 03
	51...67	Programme 04
	68...84	Programme 05
	85...101	Programme 06
	102...118	Programme 07
	119...135	Programme 08
	136...152	Programme 09
	153...169	Programme 10
170...186	Programme 11	

Retro Flat Par 18x10W RGBWA UV, 18x12W RGBW, 18x12W RGB WW

Channel	Value	Function
	187...203	Programme 12
	204...220	Programme 13
	221...237	Programme 14
	238...255	Sound control
7	Colour selection, If channel 6 = 1...16	
	0...15	R (0), G (0), B (0), W (0)
	16...31	R (255), G (0), B (0), W (0)
	32...47	R (0), G (255), B (0), W (0)
	48...63	R (0), G (0), B (255), W (0)
	64...79	R (0), G (0), B (0), W (255)
	80...95	R (255), G (150), B (0), W (0)
	96...111	R (255), G (180), B (0), W (0)
112...127	R (255), G (255), B (0), W (0)	

Channel	Value	Function
	128...143	R (255), G (0), B (255), W (0)
	144...159	R (255), G (0), B (140), W (0)
	160...175	R (0), G (255), B (255), W (0)
	176...191	R (255), G (0), B (0), W (210)
	192...207	R (0), G (255), B (0), W (210)
	208...223	R (0), G (0), B (255), W (210)
	224...239	R (255), G (200), B (40), W (90)
	240...255	R (255), G (255), B (255), W (255)
	0...255	Progress speed, if channel 6 = 17...237, from slow to fast
	0...255	Sensitivity of the built-in microphone for the music control, if channel 6 = 238...255
8	0...255	Stroboscope effect (0 % to 100 %)

7.16 Functions in 4-channel DMX mode (Retro Flat Par 18x12W RGB WW, item no. 508985)

Channel	Value	Function
1	0...255	Intensity red (0 % to 100 %)
2	0...255	Intensity green (0 % to 100 %)
3	0...255	Intensity blue (0 % to 100 %)
4	0...255	Intensity warm white (0 % to 100 %)

7.17 Functions in 6-channel DMX mode (Retro Flat Par 18x12W RGB WW, item no. 508985)

Channel	Value	Function
1	0...255	Dimmer (0 % to 100 %)
2	0...255	Intensity red (0 % to 100 %)
3	0...255	Intensity green (0 % to 100 %)

Channel	Value	Function
4	0...255	Intensity blue (0 % to 100 %)
5	0...255	Intensity warm white (0 % to 100 %)
6	0...255	Stroboscope effect (0 % to 100 %)

7.18 Functions in 8-channel DMX mode (Retro Flat Par 18x12W RGB WW, item no. 508985)

Channel	Value	Function
1	0...255	Dimmer (0 % to 100 %)
2	0...255	Intensity red (0 % to 100 %)
3	0...255	Intensity green (0 % to 100 %)
4	0...255	Intensity blue (0 % to 100 %)
5	0...255	Intensity warm white (0 % to 100 %)

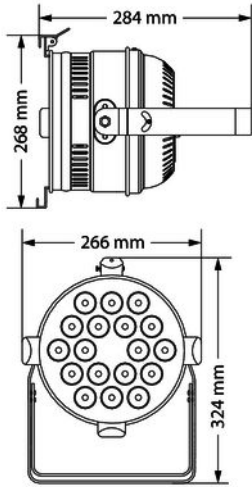
Channel	Value	Function
6	Programme	
	0	Blackout
	1...16	Programme 01 colour selection with channel 7
	17...33	Programme 02
	34...50	Programme 03
	51...67	Programme 04
	68...84	Programme 05
	85...101	Programme 06
	102...118	Programme 07
	119...135	Programme 08
	136...152	Programme 09
	153...169	Programme 10
170...186	Programme 11	

Channel	Value	Function
	187...203	Programme 12
	204...220	Programme 13
	221...237	Programme 14
	238...255	Sound control
7	Colour selection, If channel 6 = 1...16	
	0...15	R (0), G (0), B (0), W (0)
	16...31	R (255), G (0), B (0), W (0)
	32...47	R (0), G (255), B (0), W (0)
	48...63	R (0), G (0), B (255), W (0)
	64...79	R (0), G (0), B (0), W (255)
	80...95	R (255), G (150), B (0), W (0)
	96...111	R (255), G (180), B (0), W (0)
112...127	R (255), G (255), B (0), W (0)	

Retro Flat Par 18x10W RGBWA UV, 18x12W RGBW, 18x12W RGB WW

Channel	Value	Function
	128...143	R (255), G (0), B (255), W (0)
	144...159	R (255), G (0), B (140), W (0)
	160...175	R (0), G (255), B (255), W (0)
	176...191	R (255), G (0), B (0), W (210)
	192...207	R (0), G (255), B (0), W (210)
	208...223	R (0), G (0), B (255), W (210)
	224...239	R (255), G (200), B (40), W (90)
	240...255	R (255), G (255), B (255), W (255)
	0...255	Progress speed, if channel 6 = 17...237, from slow to fast
	0...255	Sensitivity of the built-in microphone for the music control, if channel 6 = 238...255
8	0...255	Stroboscope effect (0 % to 100 %)

8 Technical specifications



		Retro Flat Par 18x10W RGBWA UV (item no. 404358)	Retro Flat Par 18x12W RGBW (item no. 404364)	Retro Flat Par 18x12W RGB WW (item no. 508985)
Light source		18 × RGBWA UV, 12 W	18 × RGBW, 12 W	18 × RGB WW, 12 W
Light source properties	Light output	20750 Lux @ 1 m	51840 Lux @ 1 m	51840 Lux @ 1 m
Optical proper- ties	Beam angle	25°	25°	25°
Control		DMX		
		IR remote (optional)		
Number of DMX channels		6, 8, 10	4, 6, 8	4, 6, 8

Retro Flat Par 18x10W RGBWA UV, 18x12W RGBW, 18x12W RGB WW

		Retro Flat Par 18x10W RGBWA UV (item no. 404358)	Retro Flat Par 18x12W RGBW (item no. 404364)	Retro Flat Par 18x12W RGB WW (item no. 508985)
Input connections	Power supply	Lockable input socket (Power Twist)		
	DMX control	XLR chassis socket, 3-pin		
Output connections	Power supply	Lockable output socket (Power Twist)		
	DMX control	XLR chassis socket, 3-pin		
Power consumption		160 W	220 W	188 W
Supply voltage		100 – 240 V ~ 50/60 Hz		
Fuse		5 mm × 20 mm, 1,5 A, 250 V, slow-blow		
Degree of protection		IP20		
Mounting options		Hanging, standing		
Dimensions (W × H × D)		266 mm × 268 mm × 284 mm		

		Retro Flat Par 18x10W RGBWA UV (item no. 404358)	Retro Flat Par 18x12W RGBW (item no. 404364)	Retro Flat Par 18x12W RGB WW (item no. 508985)
Weight		2.9 kg		
Ambient conditions	Temperature range	0 °C...40 °C		
	Relative humidity	50 %, non-condensing		

Retro Flat Par 18x10W RGBWA UV, 18x12W RGBW, 18x12W RGB WW

Further information

	Retro Flat Par 18x10W RGBWA UV (item no. 404358)	Retro Flat Par 18x12W RGBW (item no. 404364)	Retro Flat Par 18x12W RGB WW (item no. 508985)
Construction	Flat PAR	Flat PAR	Flat PAR
Colour mixture	RGBAWUV	RGBW	RGB WW
LED type	x-in-1	x-in-1	x-in-1
Base housing	Yes	Yes	Yes
Fanless	No	No	No
Wireless DMX	No	No	No
Housing colour	Black	Black	Black

9 Plug and connection assignments

Introduction

This chapter will help you select the right cables and plugs to connect your valuable equipment so that a perfect light experience is guaranteed.

Please take our tips, because especially in 'Sound & Light' caution is indicated: Even if a plug fits into a socket, the result of an incorrect connection may be a destroyed DMX controller, a short circuit or 'just' a not working light show!

DMX connections



The unit offers a 3-pin XLR socket for DMX output and a 3-pin XLR plug for DMX input. Please refer to the drawing and table below for the pin assignment of a suitable XLR plug.

Pin	Configuration
1	Ground, shielding
2	Signal inverted (DMX-, 'cold signal')
3	Signal (DMX+, 'hot signal')

10 Troubleshooting



NOTICE!

Possible data transmission errors

For error-free operation make use of dedicated DMX cables and do not use ordinary microphone cables.

Never connect the DMX input or output to audio devices such as mixers or amplifiers.

In the following we list a few common problems that may occur during operation. We give you some suggestions for easy troubleshooting:

Symptom	Remedy
The unit does not work, no light, the fan does not run	Check the mains connection and the main fuse.
No response to the DMX controller	<ol style="list-style-type: none"> 1. Check the DMX connectors and cables for proper connection. 2. Check the address settings and the DMX polarity. 3. Try using another DMX controller. 4. Check whether the DMX cables run near or parallel to high-voltage cables that may cause damage or interference to a DMX interface circuit.
The display shows the message 'Temp Error'.	The unit is overheated. Switch it off and let it cool down.

If the procedures recommended above do not succeed, please contact our Service Center. You can find the contact information at www.thomann.de.

11 Cleaning

Optical lenses

Clean the optical lenses, that are accessible from the outside, regularly in order to optimize the light output. The frequency of cleaning depends on the operating environment: wet, smoky or particularly dirty surroundings can cause more accumulation of dirt on the optics of the device.

- Clean with a soft cloth using our lamp and lens cleaner (item no. 280122).
- Always dry the parts carefully.

Fan grids

The fan grids of the device must be cleaned of any contamination, such as dust, etc. on a regular basis. Before cleaning, switch off the device and disconnect mains-operated devices from the mains. Only use pH-neutral, solvent-free and non-abrasive cleaning agents. Clean the unit with a slightly damp lint-free cloth.

12 Protecting the environment

Disposal of the packaging material



For the transport and protective packaging, environmentally friendly materials have been chosen that can be supplied to normal recycling.

Ensure that plastic bags, packaging, etc. are properly disposed of.

Do not just dispose of these materials with your normal household waste, but make sure that they are collected for recycling. Please follow the notes and markings on the packaging.

Disposal of your old device



This product is subject to the European Waste Electrical and Electronic Equipment Directive (WEEE) in its currently valid version. Do not dispose with your normal household waste.

Dispose of this device through an approved waste disposal firm or through your local waste facility. When discarding the device, comply with the rules and regulations that apply in your country. If in doubt, consult your local waste disposal facility.

Retro Flat Par 18x10W RGBWA UV, 18x12W RGBW, 18x12W RGB WW



Musikhaus Thomann · Hans-Thomann-Straße 1 · 96138 Burgebrach · Germany · www.thomann.de