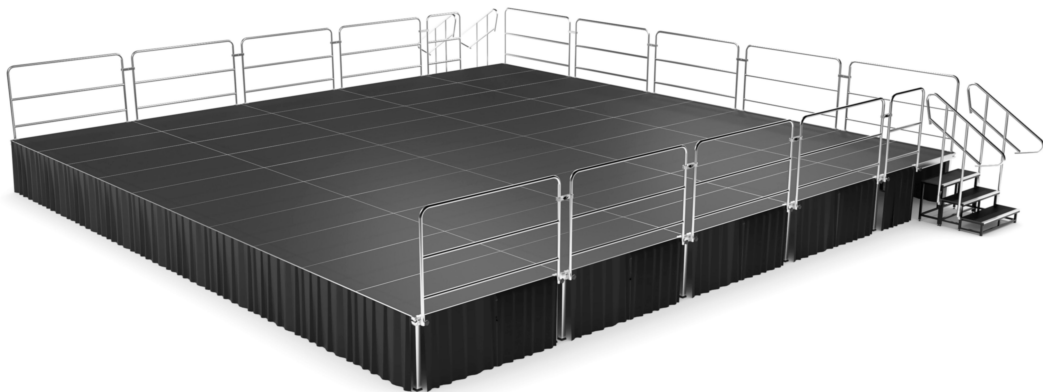




# Tour Stage stage platform



Musikhaus Thomann  
Thomann GmbH  
Hans-Thomann-Straße 1  
96138 Burgebrach  
Germany  
Telephone: +49 (0) 9546 9223-0  
E-mail: [info@thomann.de](mailto:info@thomann.de)  
Internet: [www.thomann.de](http://www.thomann.de)

02.07.2021, ID: 464994

---

## Table of contents

<b>1</b>	<b>General information</b> .....	<b>4</b>
1.1	Further information.....	4
1.2	Notational conventions.....	4
1.3	Symbols and signal words.....	4
<b>2</b>	<b>Safety instructions</b> .....	<b>6</b>
<b>3</b>	<b>Features</b> .....	<b>7</b>
<b>4</b>	<b>Installation</b> .....	<b>8</b>
4.1	Setting up stage platforms.....	8
4.2	Fixing the stage platforms and the plug-in feet.....	12
4.3	Attaching the railings.....	15
4.4	Attaching the stairs.....	18
4.5	Attaching platform skirts.....	21
<b>5</b>	<b>Protecting the environment</b> .....	<b>22</b>

## 1 General information

This manual contains important instructions for the safe operation of the product. Read and follow the safety instructions and all other instructions. Keep the manual for future reference. Make sure that it is available to all those using the product. If you sell the unit, please make sure that the buyer also receives this manual.

Our products and user manuals are subject to a process of continuous development. We therefore reserve the right to make changes without notice. Please refer to the latest version of the user manual which is ready for download under [www.thomann.de](http://www.thomann.de).

### 1.1 Further information

On our website ([www.thomann.de](http://www.thomann.de)) you will find lots of further information and details on the following points:

Download	This manual is also available as PDF file for you to download.
Keyword search	Use the search function in the electronic version to find the topics of interest for you quickly.
Online guides	Our online guides provide detailed information on technical basics and terms.
Personal consultation	For personal consultation please contact our technical hotline.
Service	If you have any problems with the device the customer service will gladly assist you.

### 1.2 Notational conventions

This manual uses the following notational conventions:

#### Instructions


The individual steps of an instruction are numbered consecutively. The result of a step is indented and highlighted by an arrow.

#### Example:

1. ➤ Switch on the device.
2. ➤ Press *[Auto]*.  
⇒ Automatic operation is started.
3. ➤ Switch off the device.

### 1.3 Symbols and signal words

In this section you will find an overview of the meaning of symbols and signal words that are used in this manual.

Signal word	Meaning
<b>DANGER!</b>	This combination of symbol and signal word indicates an immediate dangerous situation that will result in death or serious injury if it is not avoided.
<b>CAUTION!</b>	This combination of symbol and signal word indicates a possible dangerous situation that can result in minor injury if it is not avoided.
Warning signs	Type of danger
	Warning – danger zone.

## 2 Safety instructions

### Intended use

This stage platform system is used for modular and flexible construction of stages in different compilations. Use the product only as described in this user manual. Any other use or use under other operating conditions is considered to be improper and may result in personal injury or property damage. No liability will be assumed for damages resulting from improper use.

This device may be used only by persons with sufficient physical, sensorial, and intellectual abilities and having corresponding knowledge and experience. Other persons may use this device only if they are supervised or instructed by a person who is responsible for their safety.

### Safety

 **DANGER!**

**Danger for children**

Ensure that plastic bags, packaging, etc. are properly disposed of and are not in the reach of babies and young children. Choking hazard! Ensure that children do not detach any small parts (e.g. knobs or the like) from the product. They could swallow the pieces and choke! Never let children play unattended with the product.

 **CAUTION!**

**Risk of fracture in case of overload**

When the maximum load capacity is exceeded platforms can break and cause personal injury and property damage. Observe the maximum load capacity.

 **CAUTION!**

**Danger of tipping on unsuitable surface**

When the platform is installed on soft or uneven ground the platform may tip over and cause personal injuries and property damage. Install the platform only on even and solid surfaces.

 **CAUTION!**

**Risk of injury due to heavy weight**

Due to the heavy weight of the stage platform, at least two persons are required for transport and assembly.

### 3 Features

The stage platform system can be assembled from the following components:

- Stage platform (of different sizes and shapes) for indoor and outdoor use
- Plug-in feet (of different sizes and versions)
- Railings (of different sizes and versions to match the stage platforms and stairs)
- Modular or variable stairs
- Mounting elements and connectors

## 4 Installation

### 4.1 Setting up stage platforms



#### **Comply with regulations**

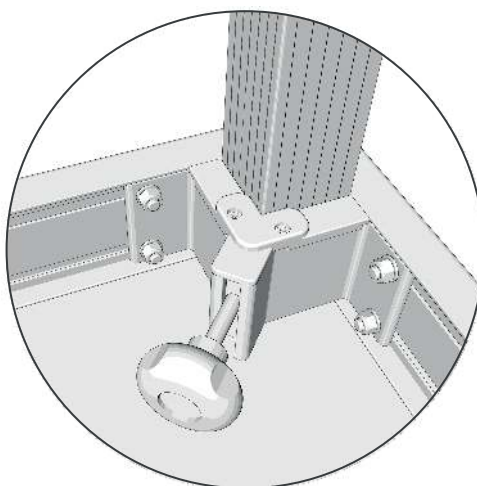
*When installing and operating, make sure to follow the standards and regulations that apply in your country. In Germany: DGUV 17, DGUV 18, DGUV Regel 115-002 'Veranstaltungs- und Produktionsstätten für szenische Darstellung' (Staging and Production Facilities for the Entertainment Industry).*



## Setting up stage platforms



1. Insert the plug-in feet into the provided recess on the bottom of the stage platform.



2. Fix the plug-in feet with the hand screws to the stage platform.



*For a height of more than 100 cm, connecting struts must be mounted diagonally for the reasons of additional safety!*

The following tables show the different sizes, shapes and versions of the stage platforms and plug-in feet which can be combined:

## Stage platforms

Item no.	Name	Dimensions (W × H × D)	Weight	Max. load
464994	Stairville Tour Stage Circular 1x1m CPTW	1000 mm × 1000 mm × 90 mm	15 kg	750 kg/m <sup>2</sup>
464993	Stairville Tour Stage Circular 1x1m ODW	1000 mm × 1000 mm × 90 mm	15 kg	750 kg/m <sup>2</sup>
519650	Stairville Tour Stage Platf. 1.5x0.5m ODW	1500 mm × 500 mm × 90 mm	16 kg	750 kg/m <sup>2</sup>
462002	Stairville Tour Stage Platform 1.5x1m ODW	1500 mm × 1000 mm × 90 mm	27 kg	750 kg/m <sup>2</sup>
448745	Stairville Tour Stage Platform 1x0.5 CPTW	1000 mm × 500 mm × 90 mm	12 kg	750 kg/m <sup>2</sup>
448742	Stairville Tour Stage Platform 1x0.5m ODW	1000 mm × 500 mm × 90 mm	12 kg	750 kg/m <sup>2</sup>
399941	Stairville Tour Stage Platform 1x1m CPTW	1000 mm × 1000 mm × 90 mm	17.7 kg	750 kg/m <sup>2</sup>
295854	Stairville Tour Stage Platform 1x1m ODW	1000 mm × 1000 mm × 90 mm	17.7 kg	750 kg/m <sup>2</sup>
448744	Stairville Tour Stage Platform 2x0.5 CPTW	2000 mm × 500 mm × 90 mm	19 kg	750 kg/m <sup>2</sup>
448737	Stairville Tour Stage Platform 2x0.5m ODW	2000 mm × 500 mm × 90 mm	19 kg	750 kg/m <sup>2</sup>
399932	Stairville Tour Stage Platform 2x1m CPTW	2000 mm × 1000 mm × 90 mm	33 kg	750 kg/m <sup>2</sup>
295737	Stairville Tour Stage Platform 2x1m ODW	2000 mm × 1000 mm × 90 mm	33 kg	750 kg/m <sup>2</sup>
464989	Stairville Tour Stage Triangle 1x1m CPTW	1000 mm × 1000 mm × 90 mm	11.5 kg	750 kg/m <sup>2</sup>
443327	Stairville Tour Stage Triangle 1x1m ODW	1000 mm × 1000 mm × 90 mm	11.5 kg	750 kg/m <sup>2</sup>
464991	Stairville Tour Stage Triangle 2x1 L CPTW	2000 mm × 1000 mm × 90 mm	26.5 kg	750 kg/m <sup>2</sup>
464992	Stairville Tour Stage Triangle 2x1 R CPTW	2000 mm × 1000 mm × 90 mm	26.5 kg	750 kg/m <sup>2</sup>
443325	Stairville Tour Stage Triangle 2x1m L ODW	2000 mm × 1000 mm × 90 mm	26.5 kg	750 kg/m <sup>2</sup>
443326	Stairville Tour Stage Triangle 2x1m R ODW	2000 mm × 1000 mm × 90 mm	26.5 kg	750 kg/m <sup>2</sup>



The load capacity of 750 kg/m<sup>2</sup> refers to the stage platforms of the standard formats with the dimensions 1000 mm × 1000 mm × 90 mm and 2000 mm × 1000 mm × 90 mm. Special formats must be used as decorative elements and installed and carried in relation with the standard formats.

All standard formats with the dimensions 1000 mm × 1000 mm × 90 mm and 2000 mm × 1000 mm × 90 mm have a TÜV certificate.

**Plug-in feet**

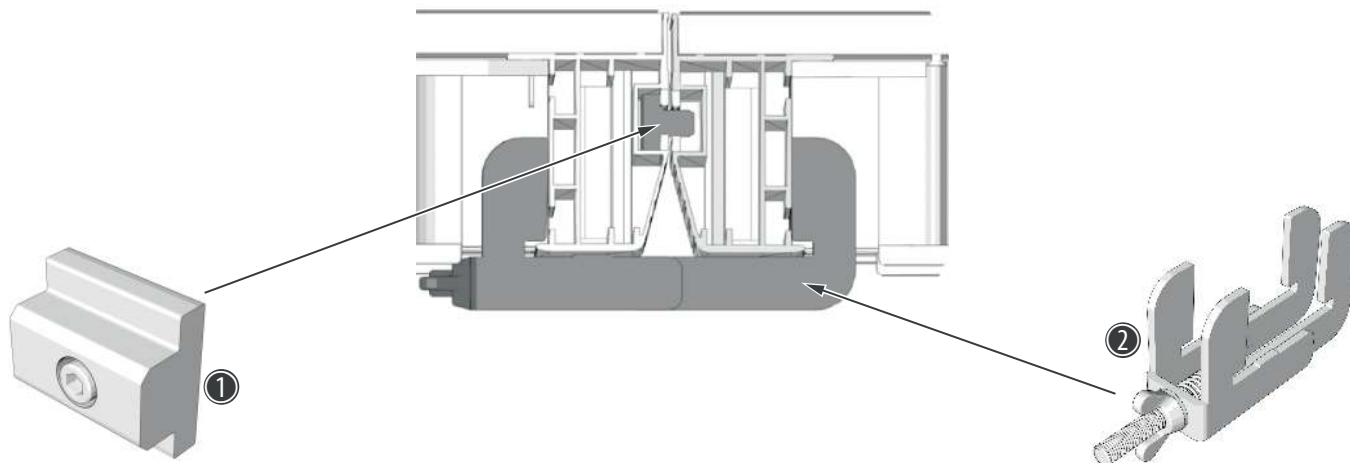
Item no.	Name	Dimensions (W × H × D)	Wall thickness
295871	Stairville Tour Stage Leg 20cm	60 mm × 200 mm × 60 mm	2.5 mm
452010	Stairville Tour Stage Leg Set of 4x 20cm	60 mm × 200 mm × 60 mm	2.5 mm
458585	Stairville Tour Stage Leg 30cm	60 mm × 300 mm × 60 mm	2.5 mm
458589	Stairville Tour Stage Leg Set of 4x 30cm	60 mm × 300 mm × 60 mm	2.5 mm
295886	Stairville Tour Stage Leg 40cm	60 mm × 400 mm × 60 mm	2.5 mm
452011	Stairville Tour Stage Leg Set of 4x 40cm	60 mm × 400 mm × 60 mm	2.5 mm
458587	Stairville Tour Stage Leg 50cm	60 mm × 500 mm × 60 mm	2.5 mm
458591	Stairville Tour Stage Leg Set of 4x 50cm	60 mm × 500 mm × 60 mm	2.5 mm
295888	Stairville Tour Stage Leg 60cm	60 mm × 600 mm × 60 mm	2.5 mm
452012	Stairville Tour Stage Leg Set of 4x 60cm	60 mm × 600 mm × 60 mm	2.5 mm
295957	Stairville Tour Stage Leg 80cm	60 mm × 800 mm × 60 mm	2.5 mm
452013	Stairville Tour Stage Leg Set of 4x 80cm	60 mm × 800 mm × 60 mm	2.5 mm
295958	Stairville Tour Stage Leg 100cm	60 mm × 1000 mm × 60 mm	2.5 mm
452009	Stairville Tour Stage Leg Set of 4x 100cm	60 mm × 1000 mm × 60 mm	2.5 mm
368986	Stairville Tour Stage Leg Wheel 30cm	60 mm × 300 mm × 60 mm	2.5 mm
368984	Stairville Tour Stage Leg Wheel 40cm	60 mm × 400 mm × 60 mm	2.5 mm
295963	Stairville Tour Stage Tele Leg 40-60cm	60 mm × 400 - 600 mm × 60 mm	2.5 mm
452331	Stairville Tour Stage Tele Leg 4x 40-60cm	60 mm × 400 - 600 mm × 60 mm	2.5 mm
295965	Stairville Tour Stage Tele Leg 60-100cm	60 mm × 600 - 1000 mm × 60 mm	2.5 mm
452332	Stairville Tour Stage Tele Leg 4x 60-100	60 mm × 600 - 1000 mm × 60 mm	2.5 mm
295966	Stairville Tour Stage Tele Leg 80-140cm	60 mm × 800 - 1400 mm × 60 mm	2.5 mm
452333	Stairville Tour Stage Tele Leg 4x 80-140	60 mm × 800 - 1400 mm × 60 mm	2.5 mm

**Accessories for plug-in feet**

Item no.	Name	Dimensions (W × H × D)	Weight
439958	Stairville Tour Stage Rollriser Wheel 1	110 mm × 205 mm × 110 mm	2.0 kg
439965	Stairville Tour Stage Rollriser Wheel 2	275 mm × 205 mm × 110 mm	2.7 kg

## 4.2 Fixing the stage platforms and the plug-in feet

If you build up several stage platforms connect them to each other with the provided connectors and clamps as illustrated.



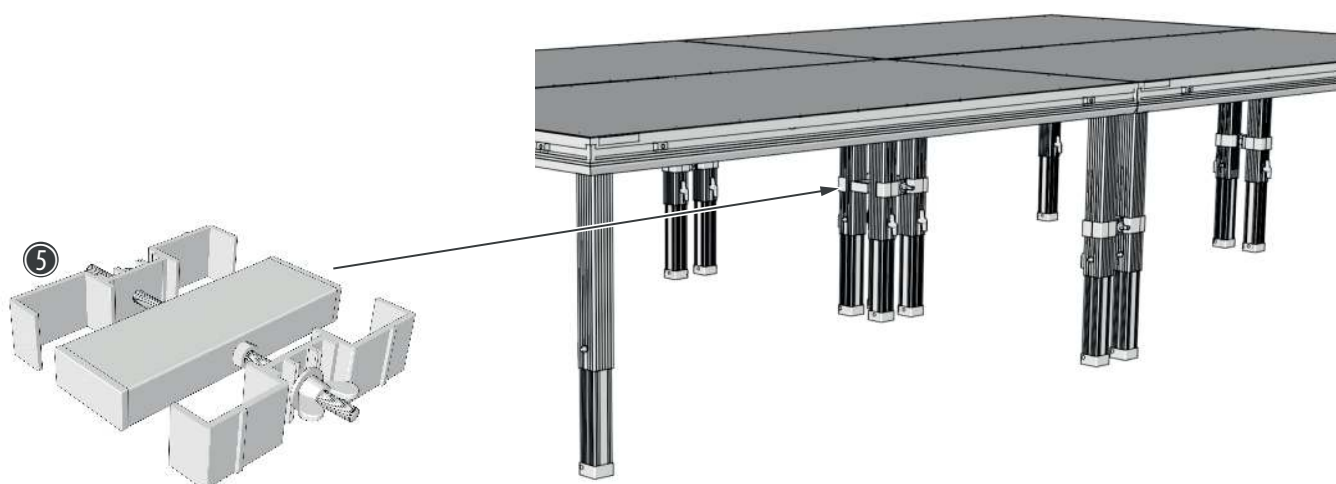
1. Insert the nuts (1) into the guide rails on the insides of the stage platforms to be connected and fix the stage platforms with the frame connectors (2) to the bottom side of the guide rails.



2. Insert the quick connectors (3) into the profile of the guide rails on the outsides of the stage platforms to be connected and tighten the screws of the quick connectors using an Allen key.



**3.** Fix two plug-in feet standing side by side with a dual plug-in feet connector (4) and tighten the wing screws.

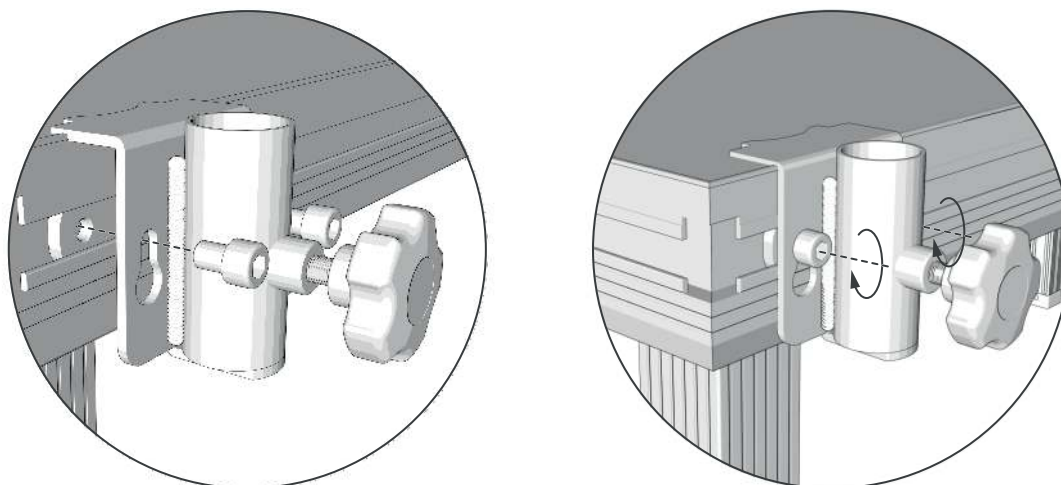


**4.** Fix four plug-in feet standing side by side with a quadruple plug-in feet connector (5) and tighten the wing screws.

The following table shows the different connectors and clamps which are required for mounting the stage platforms:

No.	Item no.	Name
1	520324	Stairville Tour Stage Self Leveling Insert
2	296471	Stairville Tour Stage Assembly Clamp
3	296477	Stairville Tour/iX Stage Clamp Connector
4	296473	Stairville Tour Stage Leg Clamp 2
5	296474	Stairville Tour Stage Leg Clamp 4
	428876	Stairville Tour Stage Alu Clamping Piece

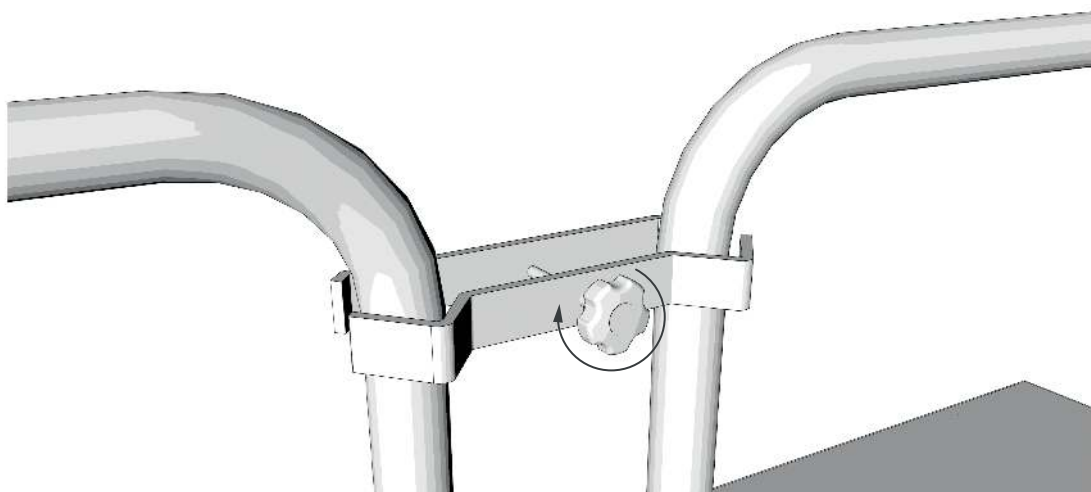
### 4.3 Attaching the railings



1. ➤ Mount the railing holders to the corresponding locations on the stage platform and tighten the screws using an Allen key.



2. ➤ Insert the railing all the way into the round tubes of the railing holders and tighten the hand screws of the railing holders.
3. ➤ If more railings are required, attach them to the stage platforms first.



4. ➤ Fix two railings standing side by side with a connecting clamp and tighten the hand screw.
5. ➤ Check the railings for firm fit.



### **Comply with regulations**

When installing and operating, make sure to follow the standards and regulations that apply in your country. In Germany: DGUV 17, DGUV 18, DGUV Regel 115-002 "Veranstaltungs- und Produktionsstätten für szenische Darstellung' (Staging and Production Facilities for the Entertainment Industry)".



For a height of the platform of more than 80 cm, railings must be mounted for the reasons of additional safety:

The following table shows the different sizes and versions of the railings:

Item no.	Name	Dimensions (W × H × D)	Weight
296470	Stairville Tour Stage Handrail 1m	868 mm × 1203 mm × 35 mm	2.8 kg
485810	Stairville Tour Stage Handrail 1m Bk	868 mm × 1203 mm × 35 mm	2.8 kg
448955	Stairville Tour Stage Handrail 1m Mk2	868 mm × 1203 mm × 35 mm	2.8 kg
485812	Stairville Tour Stage Handrail 1m Mk2 Bk	868 mm × 1203 mm × 35 mm	2.8 kg
296469	Stairville Tour Stage Handrail 2m	1868 mm × 1203 mm × 35 mm	4.5 kg
485815	Stairville Tour Stage Handrail 2m Bk	1868 mm × 1203 mm × 35 mm	4.5 kg
448954	Stairville Tour Stage Handrail 2m Mk2	1868 mm × 1203 mm × 35 mm	4.5 kg
485819	Stairville Tour Stage Handrail 2m Mk2 Bk	1868 mm × 1203 mm × 35 mm	4.5 kg

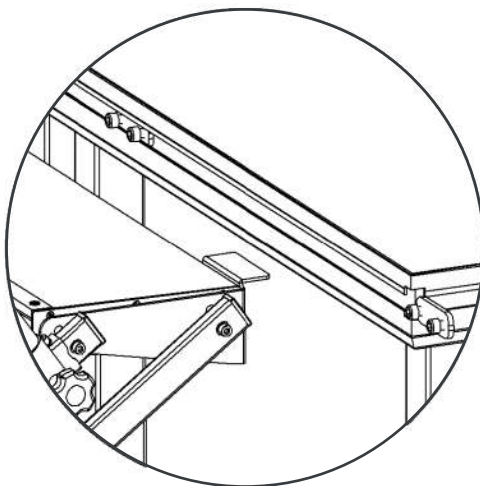


**Railings accessories**

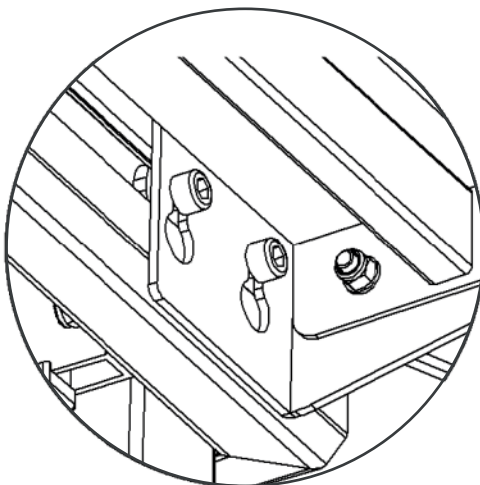
<b>Item no.</b>	<b>Name</b>	<b>Weight</b>
448945	Stairville Tour Stage Handrail Clamp	0.8 kg
485811	Stairville Tour Stage Handrail Clamp Bk	0.8 kg
424776	Stairville Tour Stage Railing Holder 2	0.3 kg
499258	Stairville Tour Stage Railing Holder 2 Bk	0.7 kg

## 4.4 Attaching the stairs

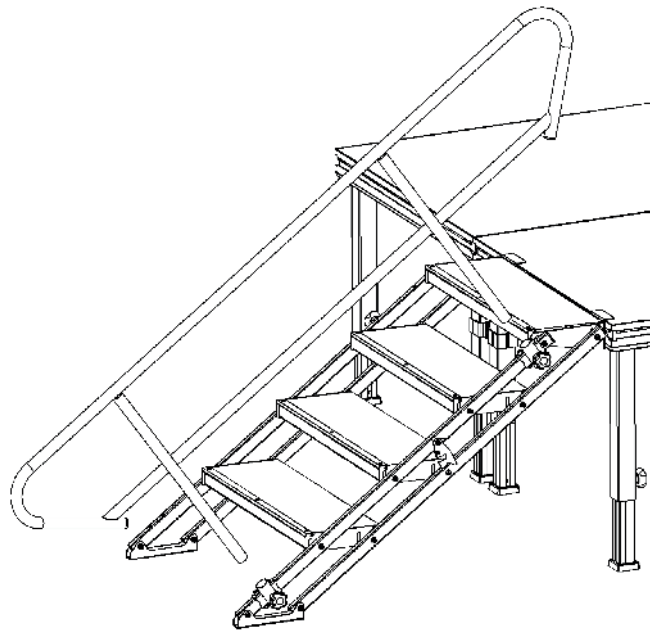
The following instructions describe the mounting of the the Stairville Tour Stage Vario stairs.



1. ➤ Insert the mounting element into the guide rails of the stage platform and place the stairs holder on the stage platform.



2. ➤ Connect the mounting element to the stairs holder and hand-tighten the screws using an Allen key.
3. ➤ Slide the stairs to the desired position and tighten the screws using an Allen key.



- 4.** ▶ Mount the railing holders to the corresponding locations on the stairs and tighten the screws using an Allen key.
- 5.** ▶ Insert the railing all the way into the round tubes of the railing holders and tighten the hand screws of the railing holders.
- 6.** ▶ Check the railings for firm fit.

The following tables show the different sizes and versions of the stairs and railings:

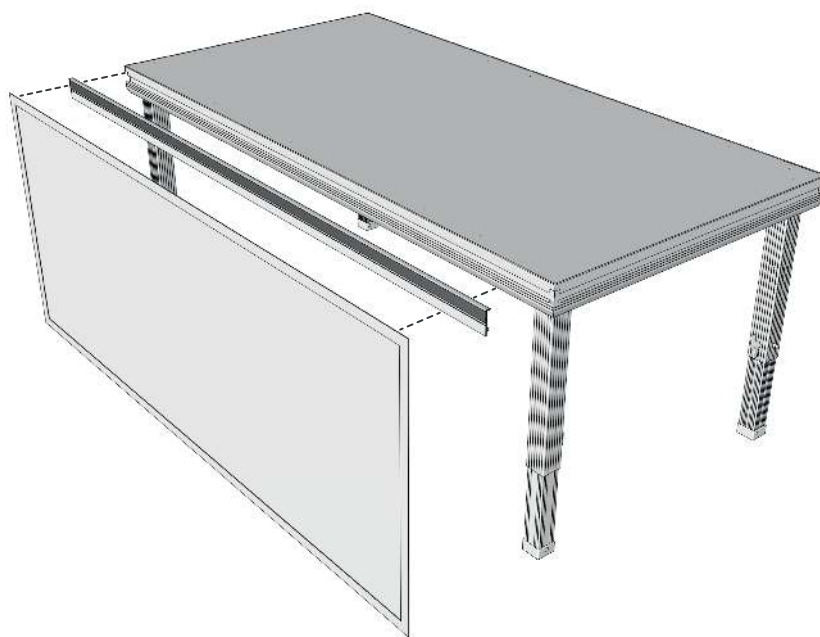
Item no.	Name	Dimensions (W x H)	Weight
296005	Stairville Tour Stage Vario Stair 40-60	780 mm x 400 - 600 mm	18 kg
296461	Stairville Tour Stage Vario Stair 60-100	780 mm x 600 - 1000 mm	29.9 kg
296465	Stairville Tour Stage Vario Stair 80-120	780 mm x 800 - 1200 mm	56 kg
442997	Stairville Tour Stage Vario Stair 100-140	750 mm x 1000 - 1400 mm	51 kg
296468	Stairville Tour Stage VarioStair Handrail	2285 mm x 750 mm	3.8 kg

Item no.	Name	Dimensions (W x H x D)	Weight
366097	Stairville iX/Tour Stage Stair 20/40cm	990 mm x 400 mm x 675 mm	19.7 kg
467310	Stairville iX/Tour Stage Stair 20cm	990 mm x 200 mm x 350 mm	8.5 kg
448932	Stairville iX/Tour Stage Stair Ext. 60cm	990 mm x 600 mm x 350 mm	12.2 kg
448936	Stairville iX/Tour Stage Stair Ext. 80cm	990 mm x 800 mm x 350 mm	13.4 kg
464633	Stairville iX/Tour Stage Stair Handrail	1414 mm x 1300 mm x 35 mm	2.7 kg
485805	Stairville iX/Tour Stage Stair Handrail B	1414 mm x 1300 mm x 35 mm	2.7 kg

## Railings accessories

Item no.	Name	Weight
346027	Stairville Tour Stage Railing Holder	0.3 kg
499264	Stairville Tour Stage Railing Holder 3 Bk	0.5 kg

## 4.5 Attaching platform skirts



- Insert the velcro profile into the guide rail of the stage platform and attach the platform skirt to the velcro profile. Suitable platform skirts can be found on our website [www.thomann.de](http://www.thomann.de).

The following table shows the different velcro profiles:

Item no.	Name	Size
520327	Tour Stage Skirting Profile 1m	1 m
520326	Stairville Tour Stage Skirting Profile 2m	2 m

## 5 Protecting the environment

### Disposal of the packaging material



For the transport and protective packaging, environmentally friendly materials have been chosen that can be supplied to normal recycling.

Ensure that plastic bags, packaging, etc. are properly disposed of.

Do not just dispose of these materials with your normal household waste, but make sure that they are collected for recycling. Please follow the notes and markings on the packaging.



