

INNOVATIVE SOLUTIONS



NA2-IO-DPRO

Mic, Line, AES/EBU I/O to Dante® Interface



NEUTRIK®

INNOVATIVE SOLUTIONS

RUGGED HOUSING

2 x etherCON
PRIMARY/SECONDARY DANTE®

RACK MOUNTABLE



MIC, LINE, AES
INPUT

LINE, AES
OUTPUT

NA2-IO-DPRO

Mic, Line, AES/EBU I/O to Dante® Interface

Connect even more legacy audio equipment to your Dante® network

- Connect analog audio equipment to a Dante® network
- Heavy duty adapter for rugged stage conditions
- Lockable audio and network connections
- Connect up to two analog line or mic signals to a Dante® network
- Connect AES/EBU signals to a Dante® network and provide an AES/EBU signal from the Dante® network
- Switched mode to daisy chain devices
- Feed non Dante® ready amplifiers, speakers or mixing desks with signals from the Dante® network
- Primary and Secondary Dante® ports
- Audio parameter control via DPRO controller software
- Different mounting options (rack, floorbox, table mounting)
- AES67 compliant
- Requires a Power over Ethernet switch or a PoE injector (802.3 af/at – class 2 or no classification at 6 W)

WHAT IS IT?

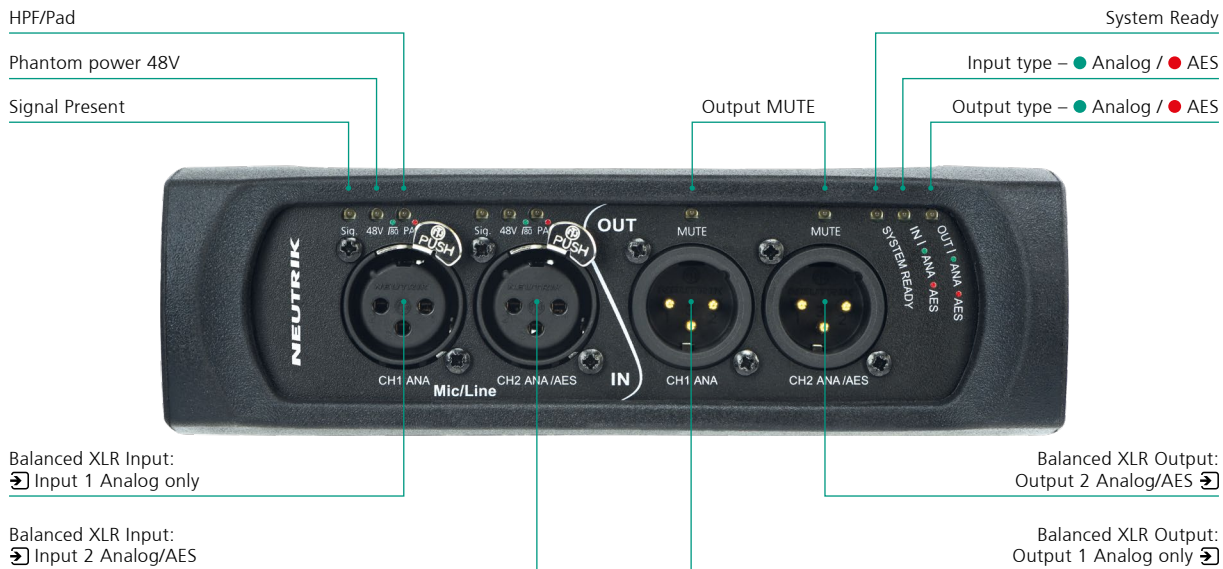
The NA2-IO-DPRO is a 2IN, 2OUT breakout box designed to connect legacy audio equipment with the Dante® network. It features high-quality microphone preamps and 2 Dante® ports for either redundant setup or daisy chaining. Audio parameters are adjusted by the DPRO Controller app.

All connectors are lockable and, together with the removable rubber protection, offer a reliable solution for tough stage conditions. With optional mounting brackets or a rack panel, the box can be mounted below tables, in floor boxes, racks or on a truss.



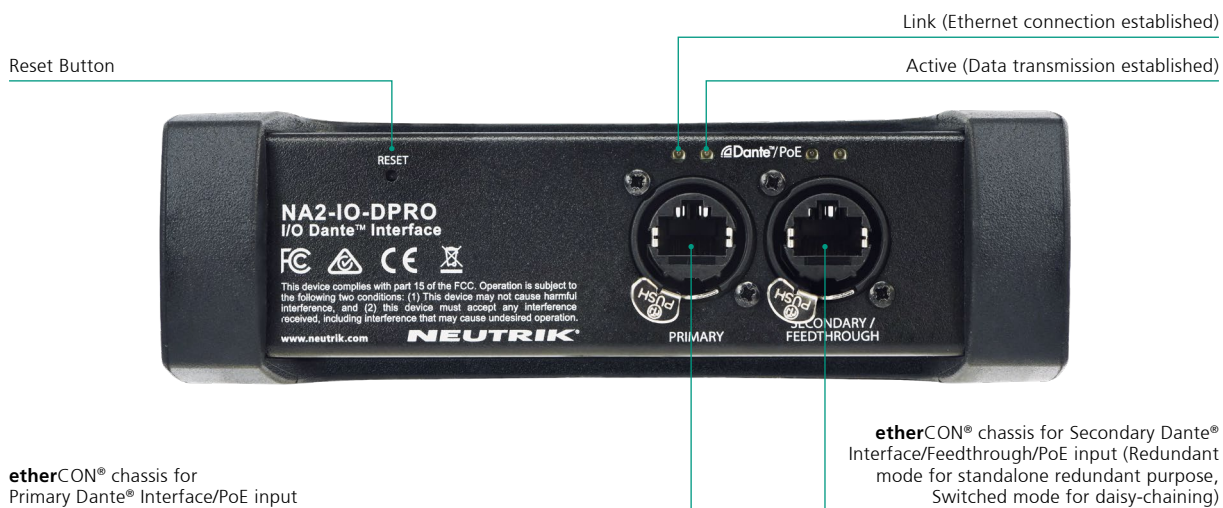
FUNCTIONALITY AND FLEXIBILITY

OVERVIEW FRONT



If AES is used, CH1 becomes inactive

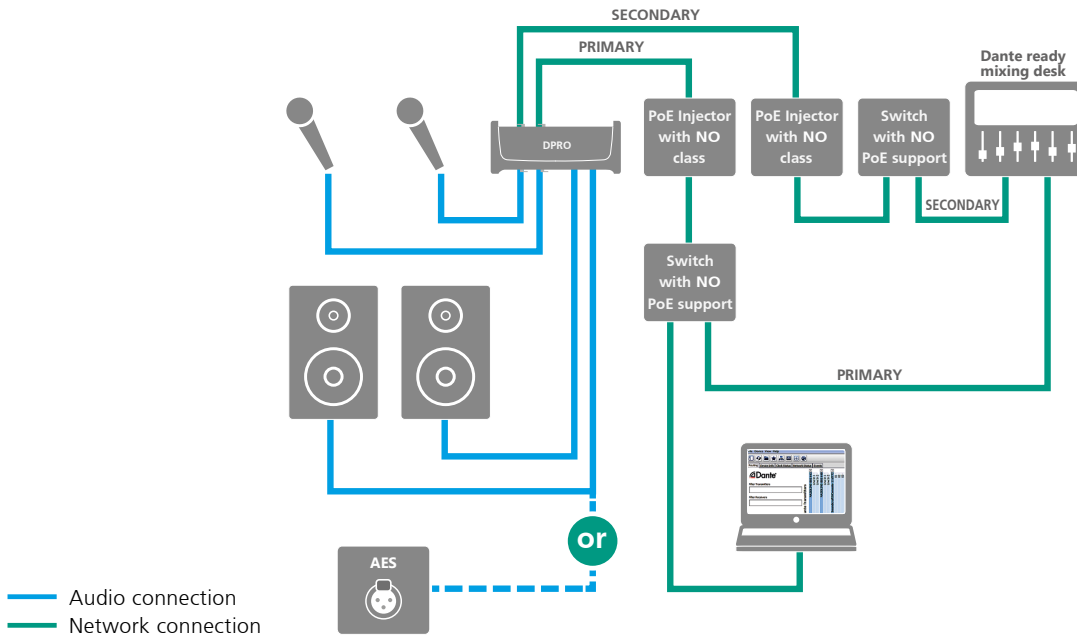
OVERVIEW REAR



IMPORTANT

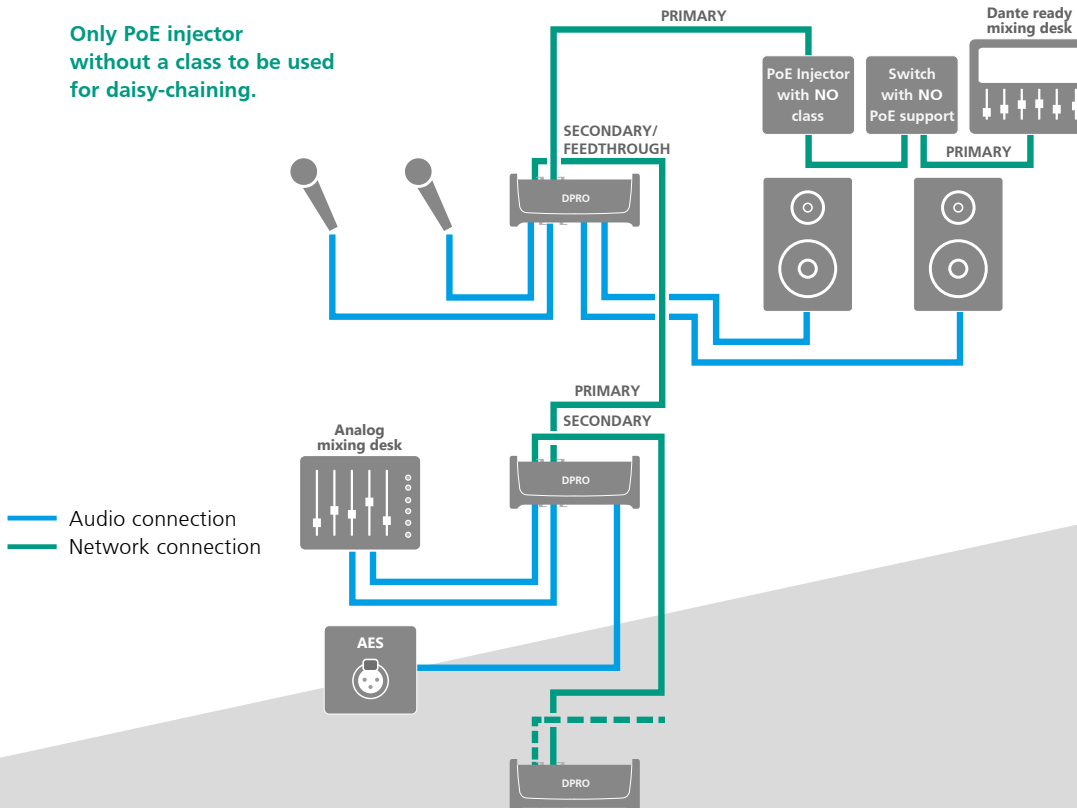
- Requires a Power over Ethernet switch or a PoE injector (802.3 af/at – class 2 or no classification at 6W)
- Please refer to the manual for redundant power setups

REDUNDANT MODE



SWITCHED MODE

Only PoE injector without a class to be used for daisy-chaining.



HOW TO SET IT UP?

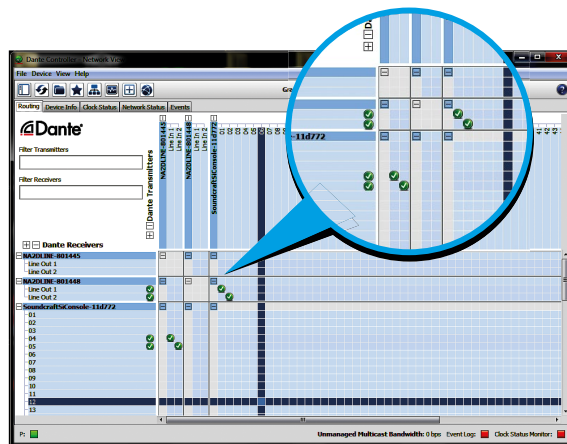
1 Connect the audio lines as required (e.g. audio source to the MIC IN channels; AES/EBU to AES/EBU channels and audio destination to the LINE OUT; AES/EBU channels)

2 Next, enable the Dante and power connection via the etherCON® chassis connector. Connect the NA2-IO-DPRO to an Ethernet switch which supports PoE. If PoE is not supported by the switch in use, deploy an external midspan PoE power injector. For Daisy-Chaining (Switched mode) use only a PoE injector with no classification.

3 Configure the audio routing in Dante® controller. This is software provided by Audinate, free of charge.

4 Finally, adjust your audio parameters, Phantom power, PAD, and high-pass filtering in the DPRO Controller software, available for PC and Mac on the Neutrik website, free of charge. You can also save and recall presets in this software.

DPRO Controller by Neutrik (www.neutrik.com/en/support/downloads)



For Dante related questions, refer to the Audinate web site: www.audinate.com.

The Audinate web site features a wealth of manuals, teaching material, FAQs and videos.

APP REQUIREMENTS

- RAM min 2 GB
- Display resolution > 1280 x 1024 pixel
- Windows 7 or later
- MAC OS 10.12 or higher

TECHNICAL DATA

GENERAL SPECIFICATIONS

Channel	2 INPUT (Line, Mic, AES/EBU)	Bit depth	16, 24 and 32 bit
	2 OUTPUT (Line Level, AES/EBU)	Latency	based on user selection; min. 0,25 ms (Dante®)
Supported sampling rates	44.1 / 48 / 88.2 / 96 kHz	Ethernet connection	1.000 BASE-T (supporting PoE)

ELECTRICAL DATA

Power consumption	< 6 Watt	Power supply	PoE (Power over Ethernet) switch or PoE midspan power injector (according to IEEE 802.3af/at, class 2 or no classification at 6W)
-------------------	----------	--------------	---

Analog Input:

Equivalent Input Noise:	-128 dBu (67 dB Gain); A-Weighted	THD+N:	< 0.005% (20 Hz to 20 kHz, +4 dBu)
Gain Hub (3dB Steps):	0 - 67 dB	Dynamic Range:	>112 dB, BW 22.4 kHz, A-Weighted (Input Gain = min.)
Max. Input Level:	+ 24 dBu (PAD enabled) + 8 dBu (PAD disabled)	SNR:	> 112 dB, BW 22.4 kHz, A-Weighted
Input Impedance:	> 7.5 k Ω balanced	Crosstalk:	- 100 dB, adjacent INPUT / OUTPUT channels (Input Gain = min.)
Frequency Response:	20 Hz to 20 kHz (\pm 0.5 dB)		

Analog Output:

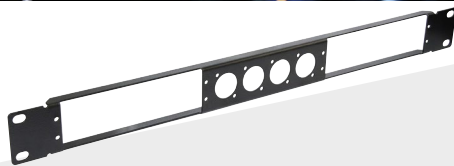
Max. Output Level:	+ 24 dBu	THD+N:	< 0.005% (20 Hz to 20 kHz, +4 dBu)
Output Impedance:	< 150 Ω balanced	Dynamic Range:	> 112 dB, BW 22.4 kHz, A-Weighted
Residual output noise:	- 88 dBu, A-Weighted	SNR:	> 112 dB, BW 22.4 kHz, A-Weighted
Frequency Response:	20 Hz to 20 kHz (\pm 0.5 dB)	Crosstalk:	- 100 dB, adjacent INPUT / OUTPUT channels, Input Gain = Min.

MECHANICAL

Weight:	0,53 kg / 1.17 lbs		
Dimensions	l: 164 mm / 6.4 inches	Dimensions	l: 151 mm / 5.9 inches
with rubber protection:	w: 82 mm / 3.2 inches	without rubber protection:	w: 66 mm / 2.6 inches
	h: 51 mm / 2.0 inches		h: 41 mm / 1.6 inches

ACCESSORIES

NRP1RU-2A: 1 RU 19" Rack unit for NA2-IO-*



NA-MB-KIT: Mounting bracket kit for NA2-IO-*



Audinate®, the Audinate® logo and Dante® are registered trademarks of Audinate Pty Ltd.

LIECHTENSTEIN (HEADQUARTERS)

Neutrik AG, Im alten Riet 143,
9494 Schaan, Liechtenstein
T +423 237 24 24, F +423 232 53 93, neutrik@neutrik.com

CHINA

Ningbo Neutrik Trading Co., Ltd., Shiqi Street, Yinxian Road West
Fengjia Villiage, Hai Shu District, Ningbo, Zhejiang, 315153
T +86 574 88250833, sales@neutrik.com.cn

HONG KONG

Neutrik Hong Kong LTD., Suite 18,
7th Floor Shatin Galleria Fotan, Shatin
T +852 2687 6055, sales@neutrik.com.hk

JAPAN

Neutrik Limited, Yusen-Higashinibashi-Ekimae Bldg., 3-7-19
Higashinibashi, Chuo-ku, Tokyo 103
T +81 3 3663 47 33, mail@neutrik.co.jp

INDIA

Neutrik India Pvt. Ltd., Level 3, Neo Vikram, New Link Road,
Above Audi Show Room, Andheri West, Mumbai, 400053
T +91 982 05 43 424, anklesaria@neutrik.com

USA

Neutrik USA Inc., 4115 Taggart Creek Road,
Charlotte, North Carolina, 28208
T +1 704 972 30 50, info@neutrikusa.com

GERMANY / NETHERLANDS / DENMARK / AUSTRIA

Neutrik Vertriebs GmbH, Felix-Wankel-Strasse 1,
85221 Dachau, Germany
T +49 8131 28 08 90, neutrik@neutrik.de

FRANCE

Neutrik© France, 52 Rue d'aguesseau,
92100 Boulogne
T +33 1 41 31 67 50, info@neutrik.fr

GREAT BRITAIN

Neutrik (UK) Ltd., Westridge Business Park, Cothey Way Ryde,
Isle of Wight PO33 1 QT
T +44 1983 811 441, sales@neutrik.co.uk

ASSOCIATED COMPANIES

Contrik AG, Steinackerstrasse 35, 8902 Urdorf, Switzerland
T +41 44 736 50 10, contrik@contrik.ch

H. Adam GmbH, Felix-Wankel-Straße 1, 85221 Dachau, Germany
T +49 08131 28 08-0, anfrage@adam-gmbh.de

NA2-IO-DPRO + I/O Dante PRO Interface – NF24 V3 – Data subject to change without prior notice. © 2019 NEUTRIK®.
NEUTRIK® is a registered trademark of Neutrik AG. ALL RIGHTS RESERVED.



www.neutrik.com