

MKH 50 P 48

Microphones | MKH Condenser Microphones

Cat. No. 003109

General Description

The super-cardioid MKH 50 offers a higher attenuation of diffuse-field and lateral sound than the cardioid microphone. It is principally designed for use as a soloist's or spot microphone for applications requiring a high degree of side-borne sound muting and feedback rejection. The directional characteristics are frequency-independent.



Cable pictured is an accessory not supplied with the microphone

Features

- High rejection of lateral sounds
- Exceptionally low inherent self-noise
- Transformerless and fully floating balanced output
- Symmetrical transducer technology ensures extremely low distortion
- Switchable roll-off filter to compensate for proximity effects at a distance of appx. 0.5 m (1.64 ft)
- Switchable pre-attenuation
- Black, anodised light metal body
- Delivery includes: 1 MKH 50, 1 MZS 40 shock mount, 1 MZW 41 windshield

Recommended Accessories

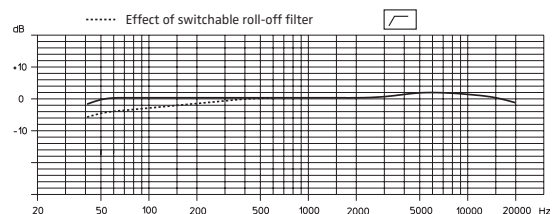
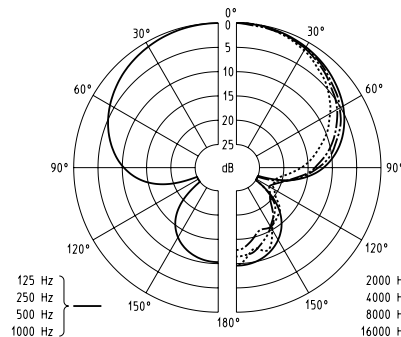
- MZA 14 P 48 U battery power supply unit
- MZT 441 table stand
- MZT 100 table stand
- MZD 30 dual clip, for MS stereo
- MZB 415 fish pole
- MZS 40 shock mount
- MZW 41 foam windshiel
- MZP 40 popshield
- MZS 20-1 shock mount
- MZW 20-1 basket windshield
- MZH 20-1 hairy cover

- Cat. No. 002960
- Cat. No. 000799
- Cat. No. 001883
- Cat. No. 002990
- Cat. No. 000972
- Cat. No. 003017
- Cat. No. 029681
- Cat. No. 003132
- Cat. No. 003609
- Cat. No. 003606
- Cat. No. 003610

Technical Data

Pick-up pattern	super-cardioid
Frequency response	40 – 20,000 Hz
Sensitivity (free field, no load, 1 kHz)	25 (8) mV/Pa ± 1 dB
Nominal impedance	150 Ω
Min. terminating impedance	1 kΩ
Equivalent noise level	
A-weighted (DIN IEC 651)	12 (18) dB
CCIR-weighted (CCIR 468-3)	21 (27) dB
Max. sound pressure level	134 (142) dB at 1 kHz
Power supply	phantom 48 ± 4 V
Supply current	2 mA
Dimensions	∅ 25 x 153 mm (∅ 0.98" x 6.02")
Weight	appx. 100 g (3.53 oz)

Values in parentheses with attenuator switched on (-10 dB)



Profile

Super-cardioid studio directional microphone with switchable pre-attenuation and switchable roll-off filter. Frequency response 40 Hz – 20,000 Hz, sensitivity (free field, no load) 25 (8) mV/Pa ± 1 dB at 1 kHz, nominal impedance 150 Ω, min. terminating impedance 1 kΩ, equivalent noise level A-weighted 12 (18) dB, CCIR-weighted 21 (27) dB, max. SPL 134 (142) dB at 1 kHz, phantom powering 48 ± 4 V, supply current 2 mA, dimensions ∅ 25 x 153 mm (∅ 0.98" x 6.02"), weight appx. 100 g (3.53 oz). Values in parentheses with attenuator switched on (-10 dB).