

General Description

The cardioid e 935 is a fully professional vocal microphone, developed to cut through high on-stage levels.

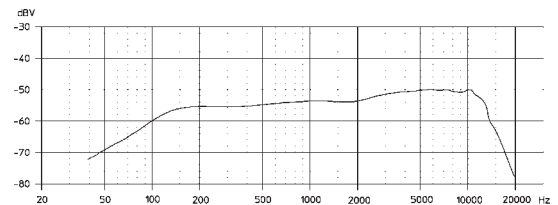
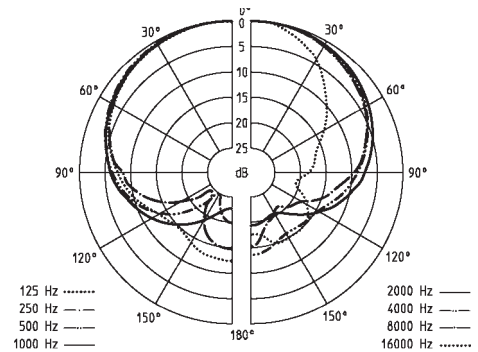


Technical Data

Pick-up pattern	cardioid
Frequency response	40 – 18,000 Hz
Sensitivity	
(free field, no load, 1 kHz)	2.8 mV/Pa at 1 kHz = -51 dB (0 dB = 1V/Pa)
Nominal impedance	350 Ω
Min. terminating impedance	1 kΩ
Dimensions	47 x 181 mm (1.85" x 7.13")
Weight	330 g (11.64 oz)

Features

- Rugged metal body
- Advanced shock-mount design
- Consistent on-/off-axis response
- Hum compensating coil
- Delivery includes a pouch and a microphone clamp



Profile

Cardioid professional vocal microphone, hum compensating coil, frequency response 40 – 18,000 Hz, sensitivity (free field, no load) 2.8 mV/Pa at 1 kHz = -51 dB (0 dB = 1V/Pa), nominal impedance 350 Ω, min. terminating impedance 1 kΩ, dimensions 47 x 181 mm (1.85" x 7.13"), weight 330 g (11.64 oz).