

# Charging station TG C2 for Tour Guide

This charging station for Bodypack transmitters and receivers is designed to work with the Wireless Tour Guide System for many different applications like multilingual interpretation, wireless presentations, etc.

This charging station can charge a maximum of 2 devices at the same time.

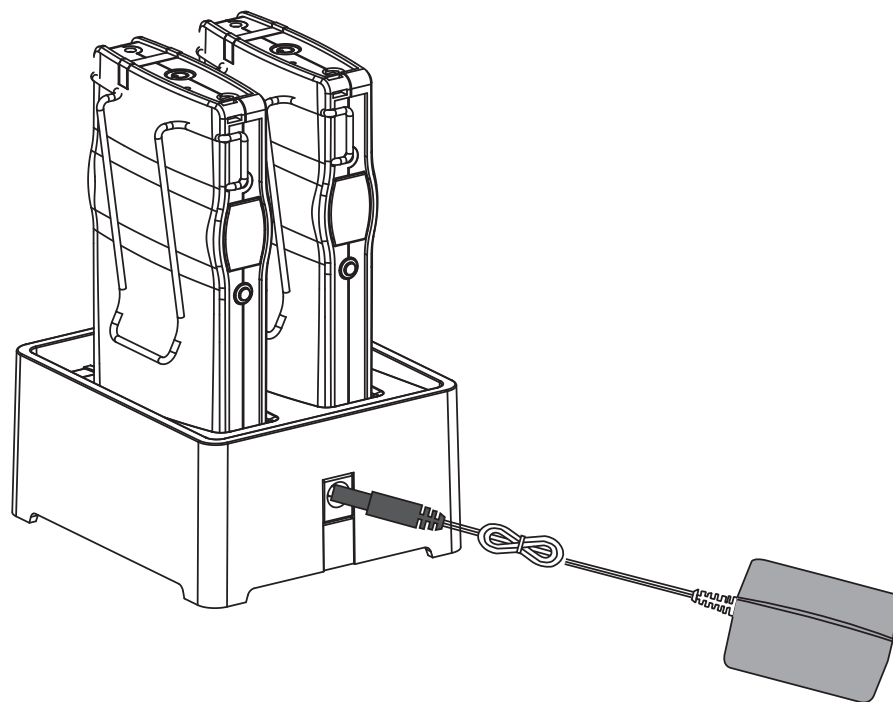
A detailed User's Manual for this device can be found on our homepage [www.thomann.de](http://www.thomann.de).



## **Incorrect handling of lithium batteries can result in injury**

In the event of a short circuit, overheating or mechanical damage, lithium batteries can cause severe injuries.


Follow the advice on the correct handling of lithium batteries in the User's Manual.



Number of charging slots	2
Indicators	separate indicator LEDs for each charging slot; lights up when charging begins, goes out after about 10 - 15 seconds
Connector for	power supply adapter
Voltage supply	12 ... 18 V $\Rightarrow$ , 600 mA
Scope of delivery	wall plug transformer




For the transport and protective packaging, environmentally friendly materials have been chosen that can be supplied to normal recycling. Ensure that plastic bags, packaging, etc. are properly disposed of. Do not just dispose of these materials with your normal household waste, but make sure that they are collected for recycling. Please follow the notes and markings on the packaging.

 Batteries must not be thrown away with the normal household waste but disposed of in accordance with local regulations. Remove Lithium batteries from the device before disposal. Use existing collection

points. Protect used lithium batteries against short circuit, for example by taping the poles.



This product is subject to the European Waste Electrical and Electronic Equipment Directive (WEEE) in its currently valid version. Do not dispose of your old device with your normal household waste.  Dispose of this product through an approved waste disposal firm or through your local waste facility. Comply with the rules and regulations that apply in your country. If in doubt, consult your local waste disposal facility.