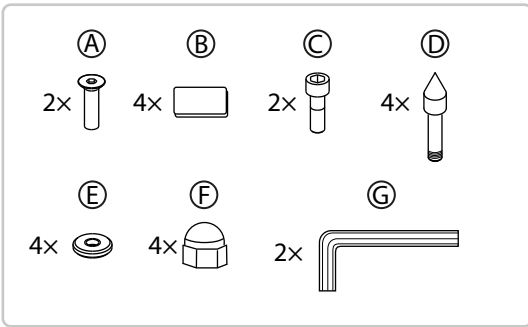


# Millenium

BS-1208



- Stable monitor stand
- 2-column design
- Fixed height
- Adjustable pads and spikes to compensate floor unevenness

#### Dimensions:

Height: 800 mm (31.50 inches)

Dimensions of the support surface:  
230 × 230 mm (9.05 × 9.05 inches)

Dimensions of the support surface:  
250 × 300 mm (9.84 × 11.81 inches)

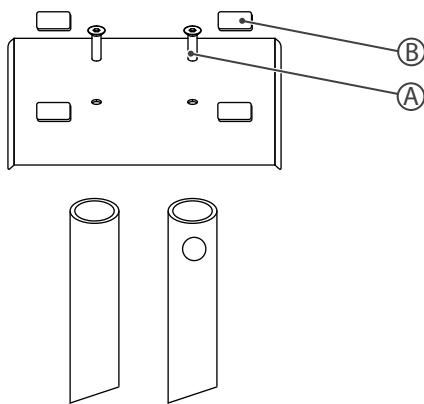
Maximum load up to 30 kg (66.14 lbs)

Weight: 7.8 kg (17.20 lbs)

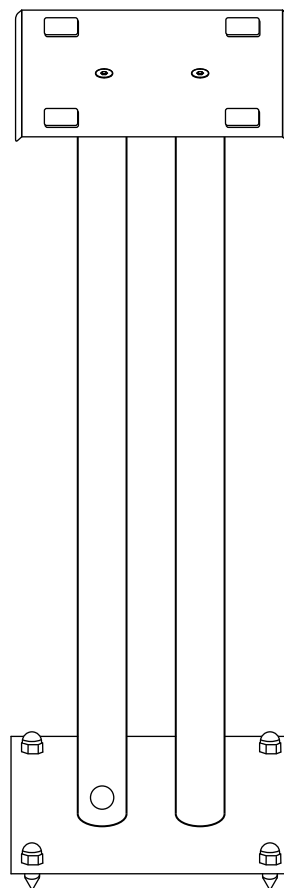
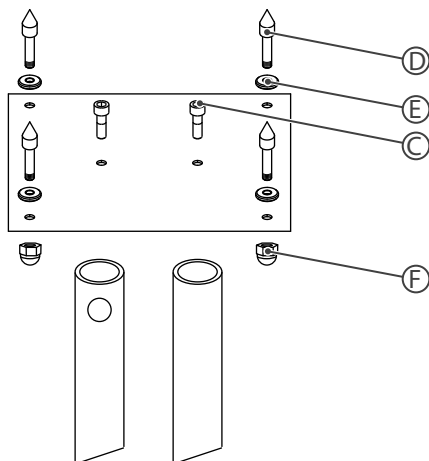
Material: steel

Colour: black

1.



2.



Ensure that plastic bags, packaging, etc. are properly disposed of and are not in the reach of babies and young children. Choking hazard!



For the packaging, environmentally friendly materials have been chosen that can be supplied to normal recycling. Ensure that plastic bags, packaging, etc. are properly disposed of. Do not just dispose these materials with your normal household waste, but make sure that they are fed to a recovery. Please follow the notes and markings on the packaging.