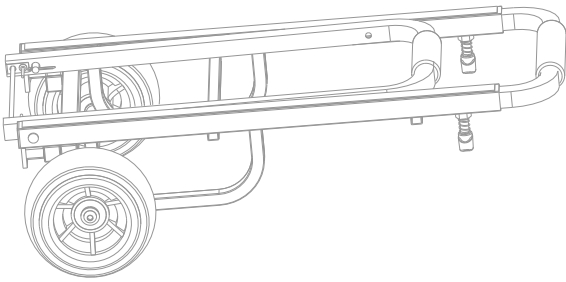
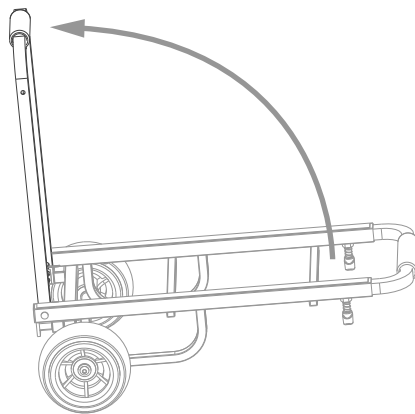


Millenium

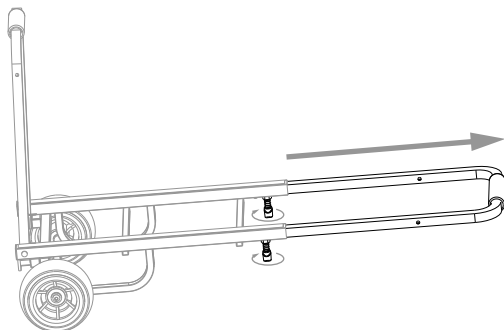
Go-Kart Solo



To unlock and expand the frame step carefully on the steel cable.



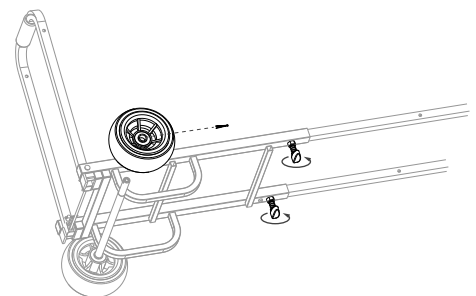
To adjust the height of the handle, loosen the two hand screws on the frame. Pull the steel construction out to the desired length and tighten the two hand screws again. When fully extended, the handle is secured automatically by a locking pin. To reduce the height of the handle at full extension, unlock the handle by pushing the lock buttons under the two hand screws.



Ensure that plastic wrapping, packaging, etc. is properly disposed of and kept out of reach of infants and young children. Suffocation hazard!

- Compact, folding and portable transport cart for music, DJ, light, film & TV equipment etc.
- Robust steel frame construction with light-weight no-flat wheels
- Handle of adjustable height from 25 in to 40 in
- Effective loading length: 18 in
- Load-bearing capacity up to 198 lbs
- Dimensions (when folded): 17.3 × 26 × 6.7 in (W × H × L)
- Weight: 12 lbs

The tyres are secured on the axle with one retaining split-pin each.



The packaging consists of environmentally safe materials which can be recycled as usual. Ensure that plastic wrapping, packaging, etc. is properly disposed of. Do not just throw these materials out – make sure they get recycled. Follow the labels and symbols on the packaging.