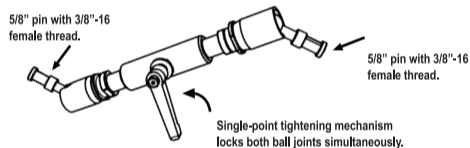


Double Joint Arm Short (360mm)

The Double Joint Arm has ball joints on both ends that are locked into position by a single-point tightening mechanism.

Each ball joint has a 5/8" pin with a 3/8"-16 female thread, making it easy to mount and position lights, cameras, monitors, or a wide variety of equipment at any angle.

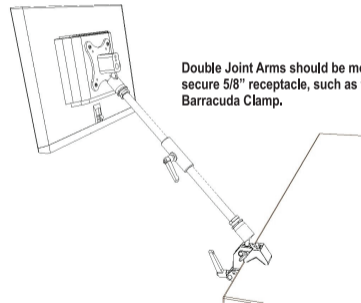
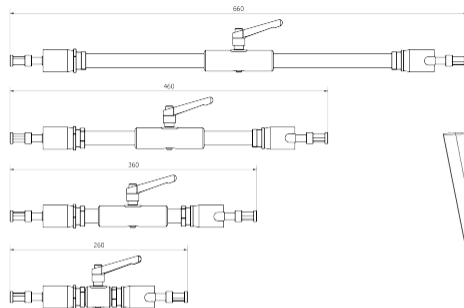


Thanks for purchasing a 9.Solutions product. With great passion, we design our products to be as versatile as possible. We hope that our products contribute to your creative vision.

Sincerely,

The 9.Solutions Team

The Double Joint Arm comes in four sizes:



9.SOLUTIONS
Double Joint Arm Short (360mm)

SPECIFICATIONS:

Weight: 680 g
Length: 360mm
Max Load: 14 kg
Connection(s):
(2x) 5/8" Pin with 3/8"-16 Female Thread
Package Contents:
(1x) Double Joint Arm Short (360mm)

Item: 9.VD5089S



Visit www.9.solutions for more info.

Please always follow the safety standards and regulations of the given country where the product is being used.