



# CONTROL SB2210

DUAL 10" Compact Subwoofer

Professional Series

## Features:

- ▶ 2 x 250 mm (10 in.) Woven Fiberglass Cone LF Drivers
- ▶ 500 Watts Power handling
- ▶ Frequency Response Down to 38 Hz
- ▶ 13 x M6 Insert Points Including Inserts for Optional U-Bracket
- ▶ Compact, Low Profile Design



## Applications:

The Control SB2210 provides low frequency reinforcement for a wide variety of sound system applications. Its compact size, high output and outdoor capable design makes it one of the most versatile subwoofers in the installation market.

The internal angled baffle allows for a large port opening and compact front dimensions without compromising driver size. The Control SB2210 produces warm, punchy low-end sound.

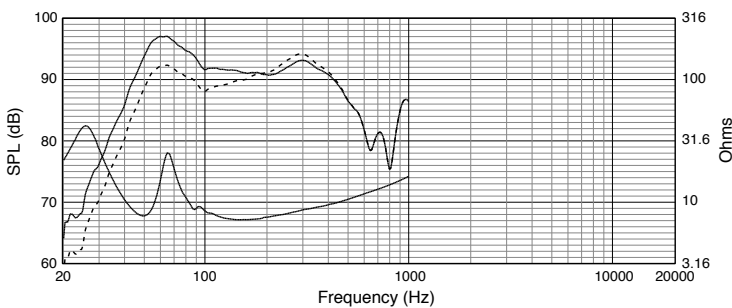
The 250 mm (10 inch) diameter low-frequency drivers feature a long-excursion design and extended low-frequency performance. The driver's woven fiberglass cone delivers robust performance and the highly damped butyl rubber surround and linear suspension spider design provide clean sound quality with lower distortion. The driver's high temperature anodized aluminum voice coil

former, voice coil wire, and adhesive ensure stable performance under long time high power working condition. An FEA optimized motor construction reduces harmonic distortion while an aluminum conductive ring coupled to the outside of the pole post reduces harmonic distortion.

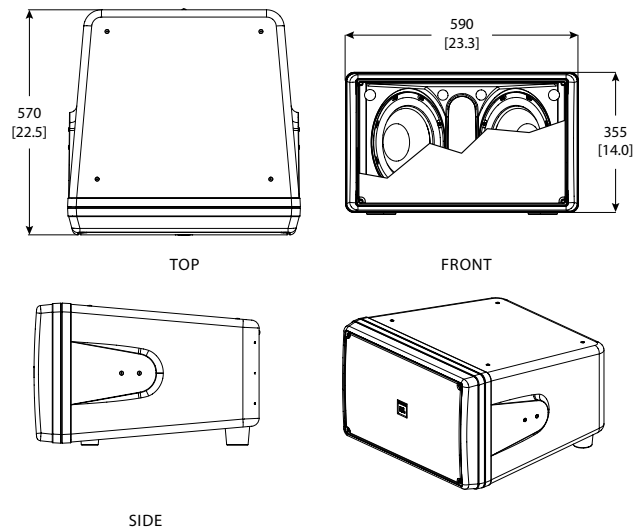
Included with the Control SB2210 are four feet for floor and shelf placement. Thirteen M6 insert points allow for installation using forged shoulder eyebolts (with included bevel washers) for suspending the subwoofer, or for mounting to a wall or ceiling via the optional MTC-210UB U-Bracket. The cabinet is available in black or white (Control SB2210-WH) and is paintable. The thermoset composite-coated grille stands up to UV as well as humidity and direct exposure to water. The grille is backed with a combination of materials that, while acoustically transparent, prevent the intrusion of water into the cabinet.

## Frequency Response

On-Axis in half-space ( $4\Omega$ , free-space, dotted line), ( $2\Omega$  on floor or on wall, solid line), plus Impedance Curve



## Dimensions:



Dimensions in mm [inches]

## Specifications:

Frequency Range (-10 dB) <sup>1</sup> :	38 Hz - 500 Hz
Frequency Response (-3 dB) <sup>1</sup> :	48 Hz - 95 Hz
Power Capacity <sup>2</sup> :	500W (2000W peak) Continuous Pink Noise (2 hrs) 1000W Continuous Program(2 hrs) 400W (1600W peak) Continuous Pink Noise (100 hrs)
Maximum Voltage:	60.0VRMS (2 hrs), 120V peak
Nominal Sensitivity <sup>3</sup> :	95 dB, 1W @ 1m in half-space (2 $\pi$ loading, average 50 - 90 Hz)
Max SPL @ 1m <sup>3</sup> :	122 dB in half-space (2 $\pi$ loading)
Nominal Impedance:	8 $\Omega$
Minimum Impedance:	7.2 $\Omega$ at 160 Hz
Recommended Filter:	45 Hz, 24 dB/oct high-pass filter

### Transducers:

Low Frequency:	Two 250 mm (10 inch) diameter LF drivers, long-excursion design, woven fiberglass cone, highly damped butyl rubber surround, linear suspension spider, high temperature anodized aluminum voice coil former, high-temp voice coil wire and coil adhesive, FEA optimized motor construction, aluminum conductive ring.
----------------	---

### Physical:

Enclosure Material:	High Impact PolyStyrene (HIPS) w/ 10% glass fill and internal 8 mm polyurethane co-mold, painted with highly-UV-resistant paint on white (-WH) model for maximum UV fade resistance.
Grille:	Thermoset composite coated steel, zinc-plated, 3-layer foam backing.
Environmental:	IP-45 rating per IEC529. Exceeds MilSpec 810 for humidity, salt spray, temperature & UV. Passes Mil-Std-202F for salt spray.
Terminals:	Screw-down terminal strip, zinc plated copper base, nickel-plated metal screws/washers. Accepts up to 9 mm outside, 4 mm inside open lug (#6, #8 or #10 lug), plus bare wire (up to 12 AWG/2.5mm <sup>2</sup> ).
Colors:	Black or white (-WH)
Dimensions (H x W x D) <sup>2</sup> :	355 x 590 x 570 mm (14 x 23.3 x 22.5 in.)
Net Weight:	23.31 kg (51.4 lb)
Shipping Weight:	25.85 kg (57.0 lb)
Included Accessories:	1 pc MTC-PC2 input panel cover, 4 pcs floor standing feet 4 pcs beveled washers.
Optional Accessories:	MTC-210UB (&-WH) U-Bracket MTC-SBT300 70V/100V Transformer, 300W multi-tap, installs onto inside of back input panel using included 4 studs. Transformer Taps: <b>70V:</b> 300W, 150W, 75W, 38W <b>100V:</b> 300W, 150W, 75W

<sup>2</sup> Half-space, (2 $\pi$ , as when on the floor)

<sup>1</sup> Continuous Pink Noise rating is IEC-shaped pink noise with a 6 dB crest factor. Continuous program power is defined as 3 dB above the Continuous Pink Noise Rating.

<sup>3</sup> Calculated from sensitivity and power handling, exclusive of power compression.

JBL continually engages in research related to product improvement. Some materials, production methods and design refinements are introduced into existing products without notice as a routine expression of that philosophy. For this reason, any current JBL product may differ in some respect from its published description, but will always equal or exceed the original design specifications unless otherwise stated.



JBL Professional  
8500 Balboa Boulevard, P.O. Box 2200  
Northridge, California 91329 U.S.A.

© Copyright 2016 JBL Professional  
www.jblpro.com