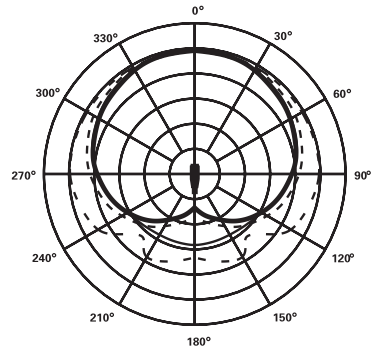


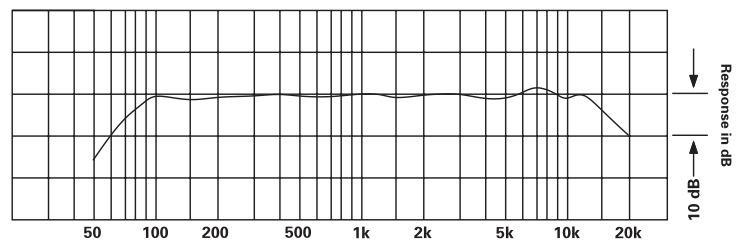


Caution!

- ▶ Never drop the mic, as this may cause severe damage!
- ▶ When the microphone is not in use, take it out of its clamp and put it in its case. Clean with damp cloth only.



Polar pattern @ 1 kHz



Connection / Supply	XLR / P48
Transducer concept	Back electret condenser
Directivity	Cardioid
Frequency response	70 - 16.000 Hz
Impedance	100 Ω
Sensitivity	41 dB re 1 V @ 1 Pa
Maximum SPL	139 dB, 1 kHz @ 1% THD
Signal-to-Noise ratio	70 dB, 1 kHz @ 1 Pa
Dimensions	12 (∅) mm × 56.6 mm
Weight	15 g

Intended use

This device is intended to be used to convert acoustic signals to electric signals. Any other use or use under other operating conditions is considered to be improper and may result in personal injury or property damage. No liability will be assumed for damages resulting from improper use.

DANGER FOR CHILDREN



Ensure that plastic bags, packaging, etc. are properly disposed of and are not in the reach of babies and young children. Choking hazard! Ensure that children do not detach any small parts from the product. They could swallow the pieces and choke! Never let children use electrical devices unattended.

PROTECT THE ENVIRONMENT

Disposal of the packaging material



For the transport and protective packaging, environmentally friendly materials have been chosen that can be supplied to normal recycling. Ensure that plastic bags, packaging, etc. are properly disposed of. Do not just dispose these materials with your normal household waste, but make sure that they are fed to a recovery. Please follow the notes and markings on the packaging.

Disposal of your old device



This product is subject to the European Waste Electrical and Electronic Equipment Directive (WEEE) in its currently valid version. Do not dispose of your old device with your normal household waste. Dispose of this product through an approved waste disposal firm or through your local waste facility. Comply with the rules and regulations that apply in your country. If in doubt, consult your local waste disposal facility.