



FBT elettronica SpA

Via Paolo Soprani 1 - 62019 RECANATI - ITALY Tel. 071 750591 - Fax. 071 7505920 - email: info@fbt.it - www.fbt.it

APPLICATIONS

- Live sound PA system or live sound monitor
- DJ system
- School and corporate audio visual sound reinforcement
- Background music/announcements: restaurants, pubs, ecc...
- Transportation terminals, clubs, auditoriums, theatres, gyms, houses of worship

FEATURES

- Processed 2-way active loudspeaker
- Sturdy gas-injected polypropylene molded enclosure
- 12" LF woofer / 2.5" voice coil
- 1" exit throat HF compression driver
- DSP with 4 EQ presets
- 2 x M10 suspension points, 1.38" top-hat speaker stand socket, wall bracket mount flange plate
- Stage monitor angling facility with 12°, 40°, 55° taper
- Completely manufactured in Italy



12°



40°



55°

DESCRIPTION

The FBT JMaxX 112A two way active reinforcement speaker system shall incorporate 1 x 12" LF woofer with 2.5" voice coil and 1" exit throat HF compression driver with 1.4" voice coil coupled to a 90°H x 60°V constant directivity horn. Thanks to the asymmetrical shape also allows use as a stage floor monitor at 12°, 40°, 55°. The FBT JMaxX 112A shall meet the following performance criteria: frequency response of 48Hz to 20kHz, maximum SPL of 131 dB, 700W RMS + 200W RMS Class D power amplifiers. The FBT JMaxX 112A provides a DSP with 4 factory equalization presets. With its eye-catching gas-injected forms designed to virtually eliminate undesired enclosure resonance and reinforce strong low frequency performance, The FBT JMaxX providing a myriad of possibilities for bands, DJ and solo artists. A front face steel grille protects the woofer fro external damage. The control panel provides XLR/Jack input, XLR link, level, preset switch, HP filter button, line/mic button, two status led (PRT-LIMITER / ON). The two M10 fly points built into the cabinet, along with the optional mounting bracket, allow the The FBT JMaxX 112A speaker to be surface mounted on walls or ceilings and standard 1.38" speaker stand socket allow the The FBT JMaxX 112A to be mounted on speaker stand.

PERFORMANCE

| | |
|-----------------------------|--|
| System Type | 2-way |
| Buil-in Amplifiers LF / HF* | max.: 700/200W RMS max. peak: 1400/400W |
| Frequency Response | 48Hz 20kHz |
| Input Impedance | 22kOhm |
| Maximum SPL (cont / peak)** | 125 / 131dB |
| Dispersion | 90°H x 60°V |
| Crossover Frequency | 1.6kHz |
| Power Consumption | 600W |
| Nominal Power Requirement | 220-230Vac |

PHYSICAL

| | |
|-----------------------------|-------------------------|
| Low Frequency Woofer | 12" / 2.5" coil |
| High Frequency Driver | 1" / 1.4" coil |
| Input Connectors | XLR / Jack |
| Net Dimensions (WxHxD) | 15.8 x 25.4 x 13.6 inch |
| Shipping Dimensions (WxHxD) | 19.7 x 29.3 x 17.3 inch |
| Net Weight | 30.4 lb |
| Shipping Weight | 36.4 lb |
| Enclosure Material | polypropylene |
| Power Cord | 16.4 ft |

* MAX: 2mS burst, RMS power on nominal speaker impedance
MAX PEAK: based on max peak output voltage and nominal speaker impedance

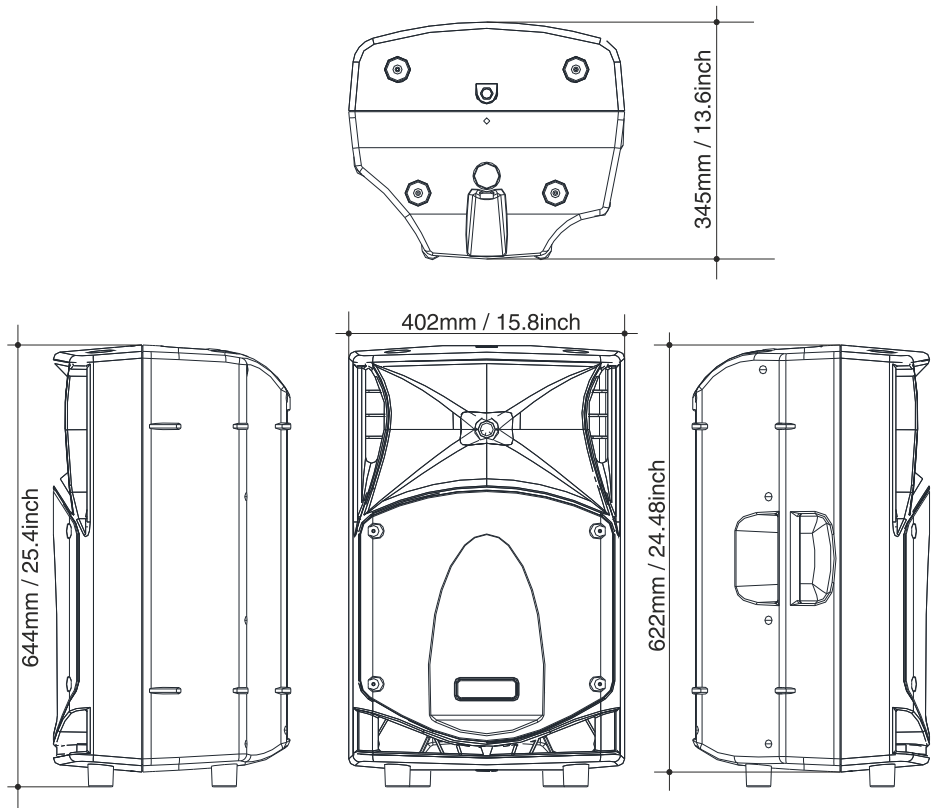
** CONT SPL: free space, based on power amp rating and LF transducer average sensitivity data, 125mS time average
PEAK SPL: free space, based on max power amp rating and system peak sensitivity, 10mS time average



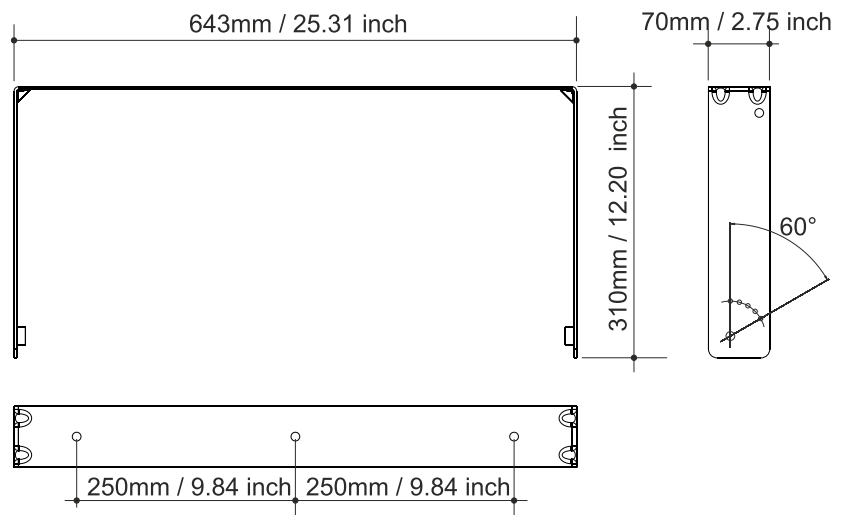
CONNECTION PANEL



DIMENSIONAL DRAWING



ACCESSORIES



FBT Elettronica SpA has the right to amend products and specifications without notice