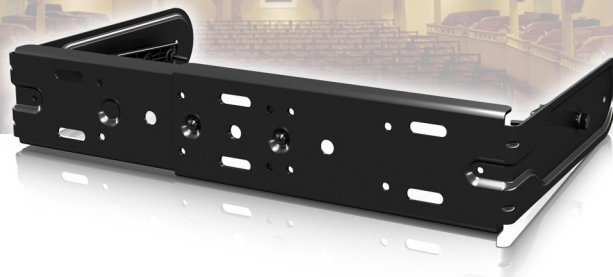


Accessories

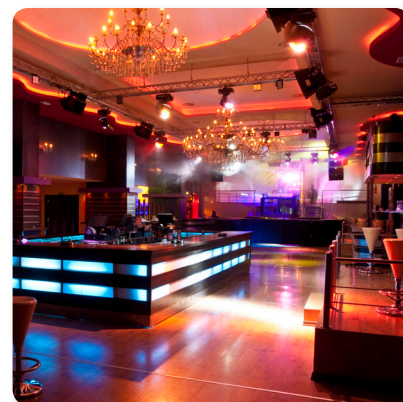
iQ8-WB

Steel Wall Bracket for iQ8 Loudspeakers



- Steel wall bracket for iQ8 loudspeakers
- Mounts 1 speaker horizontally or vertically to a wall
- Adjustable angle for optimum audience coverage
- Hard wearing semi matt black powder coat finish
- 10-Year Warranty Program*
- Designed and engineered in the U.K.

The iQ8-WB is a matt black, powder coated wall bracket specifically designed to hang the iQ8 in standalone applications, such as wall or ceiling mounting in bars or clubs, or as an under-balcony fill. The iQ8-WB consists of two yoke spacers and brackets, plus all the fasteners required for assembly. After the iQ8 is securely mounted and adjusted for the desired coverage, the screws attaching the enclosure to the bracket should be fully tightened to finalise the installation.



iQ8-WB

Steel Wall Bracket for iQ8 Loudspeakers



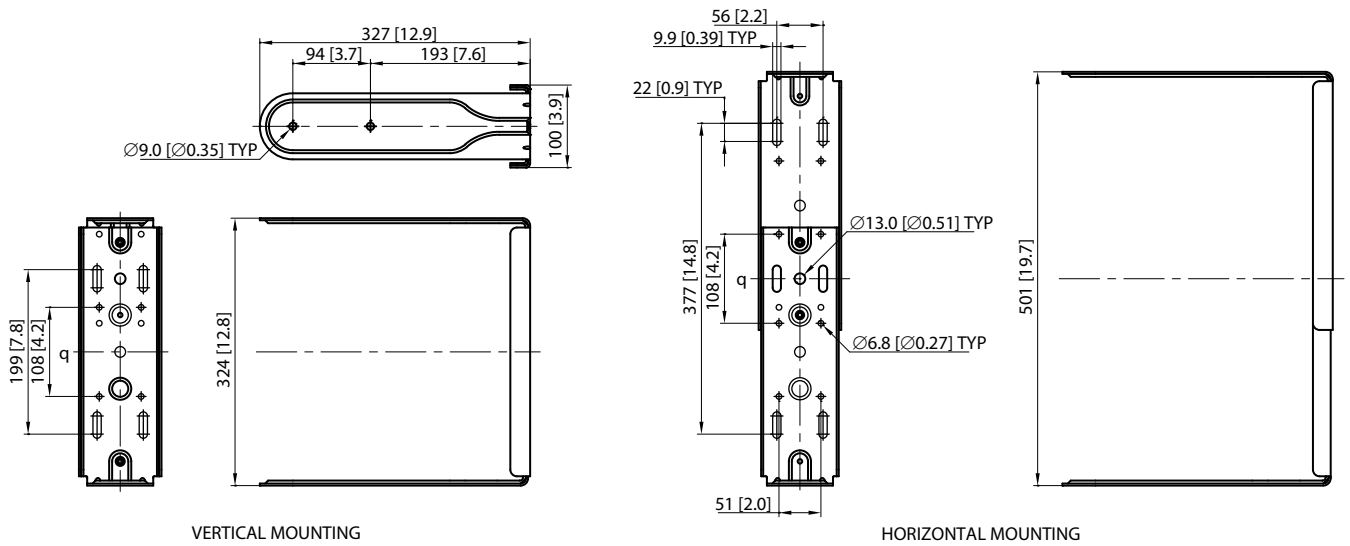
You Are Covered

We always strive to provide the best possible Customer Experience. Our products are made in our own [MUSIC Tribe](#) factory using state-of-the-art automation, enhanced production workflows and quality assurance labs with the most sophisticated test equipment available in the world. As a result, we have one of the lowest product failure rates in the industry, and we confidently back it up with a generous [Warranty program](#).

iQ8-WB

Steel Wall Bracket for iQ8 Loudspeakers

Dimensions



iQ8-WB

Steel Wall Bracket for iQ8 Loudspeakers



Accessories

iQ8-WB

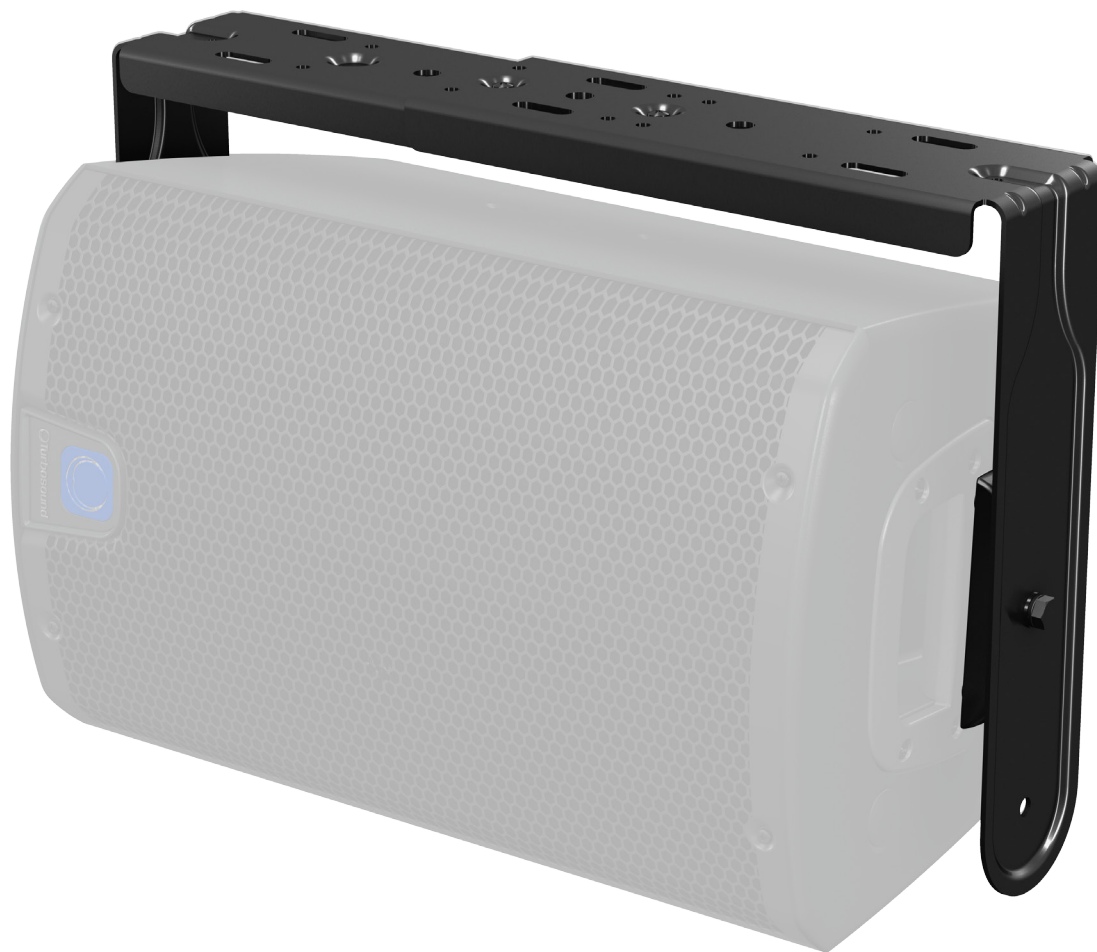
Steel Wall Bracket for iQ8 Loudspeakers



Accessories

iQ8-WB

Steel Wall Bracket for iQ8 Loudspeakers



For service, support or more information contact the TURBOSOUND location nearest you:

Europe
MUSIC Tribe Brands UK Ltd.
Tel: +44156 273 2290
Email: CARECrea@music-group.com
CAREnte@music-group.com
CARELife@music-group.com

USA/Canada
MUSIC Tribe Commercial NV Inc.
Tel: +1 702 800 8290
Email: CARECrea@music-group.com
CAREnte@music-group.com
CARELife@music-group.com

Japan
MUSIC Tribe Services JP K.K.
Tel: +81 3 6231 0453
Email: CARECrea@music-group.com
CAREnte@music-group.com
CARELife@music-group.com

MUSIC Tribe accepts no liability for any loss which may be suffered by any person who relies either wholly or in part upon any description, photograph, or statement contained herein. Technical specifications, appearances and other information are subject to change without notice. All trademarks are the property of their respective owners. MIDAS, KLARK TEKNIK, LAB GRUPPEN, LAKE, TANNOY, TURBOSOUND, TC ELECTRONIC, TC HELICON, BEHRINGER, BUGERA and COOLAUDIO are trademarks or registered trademarks of MUSIC Tribe Global Brands Ltd. © MUSIC Tribe Global Brands Ltd. 2018 All rights reserved.