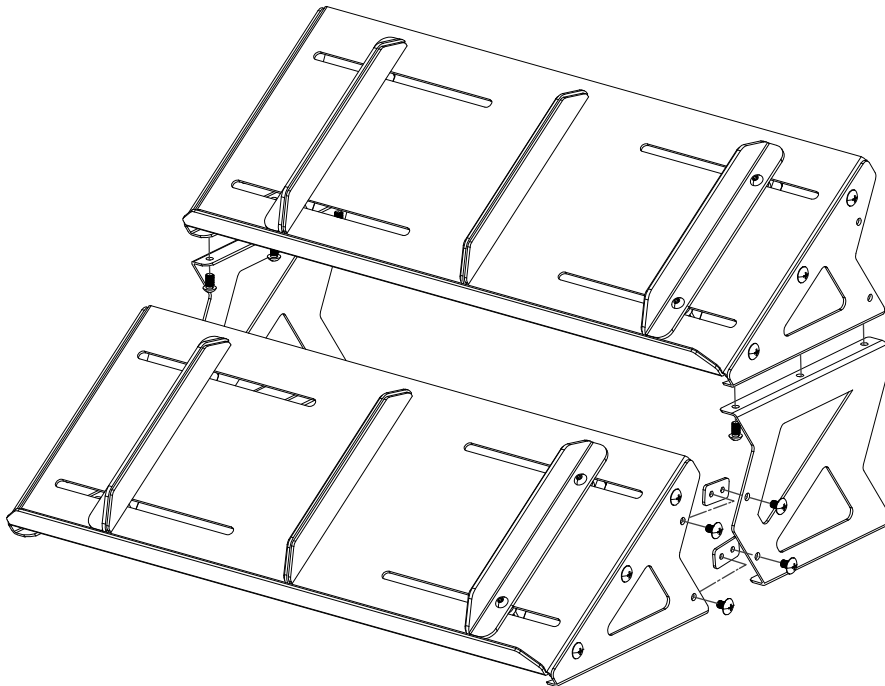


- Extension bracket for mounting a second stand (only useable in combination with two synthesizer stands, item no. 491891)
- Dimensions of each bracket: 15 × 149 × 193 mm (W × H × D)
- Weight of each bracket: 0.6 kg
- Colour: black

Mounting



Ensure that plastic bags, packaging, etc. are properly disposed of and are not in the reach of babies and young children. Choking hazard!



For the packaging, environmentally friendly materials have been chosen that can be supplied to normal recycling. Ensure that plastic bags, packaging, etc. are properly disposed of. Do not just dispose of these materials with your normal household waste, but make sure that they are collected for recycling. Please follow the notes and markings on the packaging.