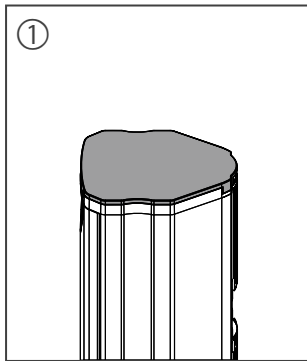
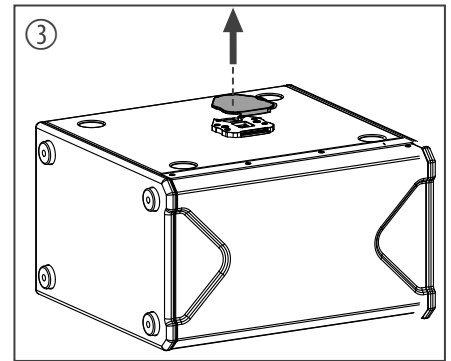
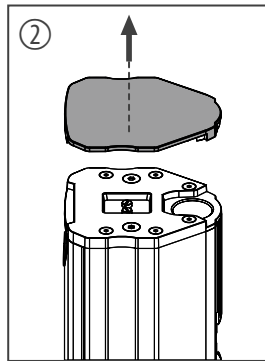


- Speaker pole for connecting **the box pro TL system** components
- 25 mm flange on top and on the bottom side
- ideal for combining
1 × TL 63 (item no. 452285) and
1 × TL 110 (item no. 452287)
- Material: steel
- Colour: black
- Length: 1176 mm
- Diameter: 25 mm
- Weight: 2 kg

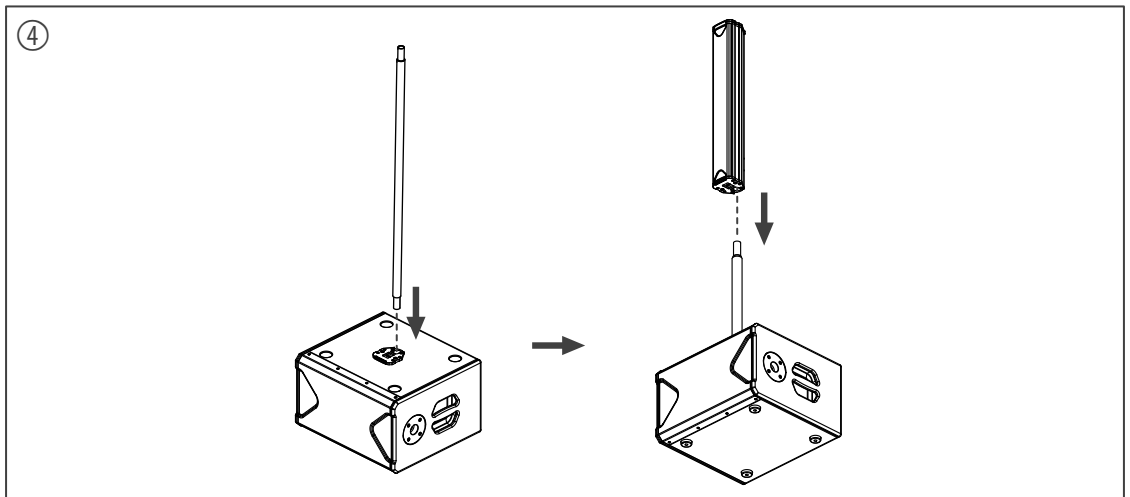
Assembly



TL 63 (item no. 452285)



TL 110 (item no. 452287)



Ensure that plastic bags, packaging, etc. are properly disposed of and are not in the reach of babies and young children. Choking hazard! Ensure that children do not detach any small parts (e.g. knobs or the like) from the product. They could swallow the pieces and choke! Never let children play unattended with the product.



For the packaging, environmentally friendly materials have been chosen that can be supplied to normal recycling. Ensure that plastic bags, packaging, etc. are properly disposed of. Do not just dispose of these materials with your normal household waste, but make sure that they are collected for recycling. Please follow the notes and markings on the packaging.