

# FBT HiMaxX 40a

## PROCESSED ACTIVE MONITOR

### APPLICATIONS

- Live Sound P.A. System or Live Sound Monitor, D.J. System
- School & Corporate Audio Visual Sound Reinforcement
- Background Music/Announcement: Restaurants, Pubs
- Transportation Terminals, Clubs, Auditoriums, Theatres  
Gyms, Houses of Worship

### FEATURES

- Lightweight Polypropylene Cabinet, 39,4 lbs
- Bi amplified: 1000W RMS LF & 250W RMS HF
- B&C custom designed 12" neodymium woofer with 3" voice coil
- B&C 1" compression driver with 1.7" voice coil
- Control panel with Volume control, 3 band Eq., Mic/Line switch, Ground Lift switch, Neutrik balanced in/out, stereo RCA inputs with separate volume control, Protection & Limiter led indicators.
- Multiple mounting options: wall, ceiling, cluster, speaker stand. Optional accessories required.
- Four M10 fly points
- Optional Carrying Bags available for protection for portable use
- High SPL capability: 133dB
- Asymmetrical profile allows use as a floor stage monitor
- Two ergonomic handles built in for easy carrying



### PRODUCT DESCRIPTION

The FBT HiMaxX 40A speaker features lightweight, yet rugged gas injected molded polypropylene cabinet construction. The asymmetrical shape of the HiMaxX 40A cabinet also allows use as a floor stage monitor. The HiMaxX 40A speaker is a two way design incorporating a custom B&C 12" low frequency woofer 3" voice coil with a neodymium magnet structure, die cast aluminum frame and a B&C 1,7" voice coil compression driver coupled to a 90°H x 60°V horn with a 1" exit. The active internal crossover is at a fixed frequency of 1,6kHz. With a frequency range of 45Hz-20kHz, the HiMaxX 40A provides hi fidelity sound for both speech and music applications with a maximum SPL of 133dB. A front face steel grille protects the woofer from external damage. The bi amplified HiMaxX 40A active speaker features a 1000W RMS Pulse Width Modulation (PWM) low frequency amp and a 250W RMS class G high frequency amp. The control panel features a Master volume control, 3 band Eq. with -15/+6dB of cut/boost @ 80Hz LF, -15/+15dB of cut/boost @ 2,5k midrange and -15/+6dB cut/boost @ 10kHz HF, a balanced neutrik input combo jack, balanced XLR link output jack, mic/line input switch, ground lift switch, stereo RCA input with a separate volume control, led power on, protection and limiter overload led indicators. The four M10 fly points built into the cabinet, along with the optional Box 100 or Box 101 mounting brackets allow the HiMaxX 40A speaker to be surface mounted on walls or ceilings. A standard 1,38" speaker stand socket allows the HiMaxX 40A to be mounted on speaker stands.

### ELECTRICAL PERFORMANCE

System Type:	2 Way
Built-in Amplifier LF / HF*	cont.: 500W RMS / 150W RMS max.: 1000W RMS / 250W RMS peak: 1600W RMS / 500W RMS
Frequency Response @ -6dB	45Hz - 20kHz
Input Impedance	22 kOhm
Input Sensitivity LINE/MIC	0dBu / -38dBu
Maximum SPL ( continuous/peak )**	127dB / 133dB
Dispersion	90°H x 60°V
Active Crossover Frequency	1,6 kHz
AC Power Requirement (continuous/peak)	1000 / 2400VA

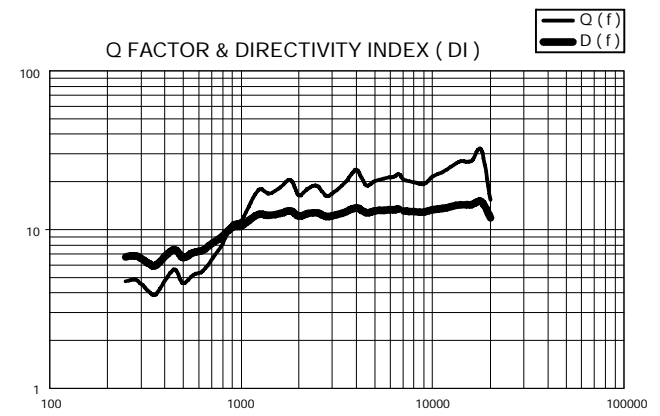
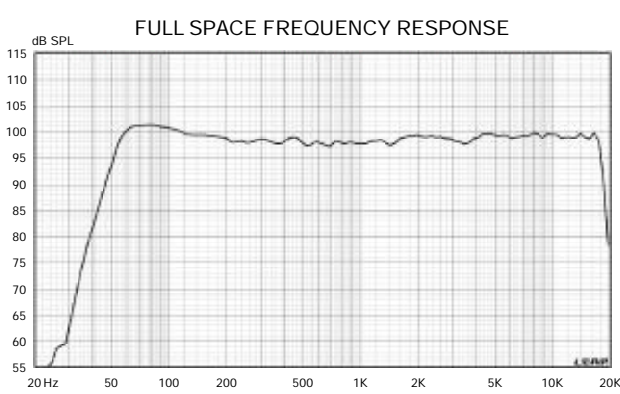
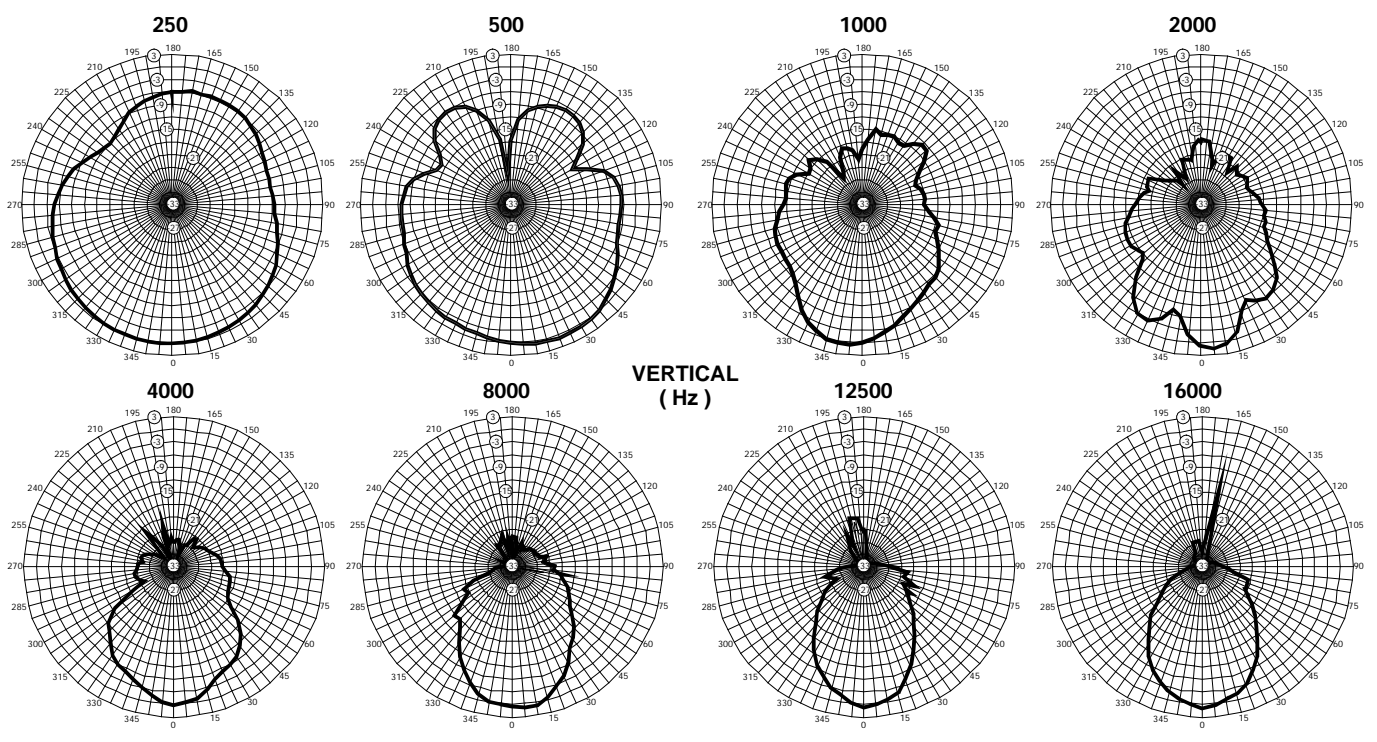
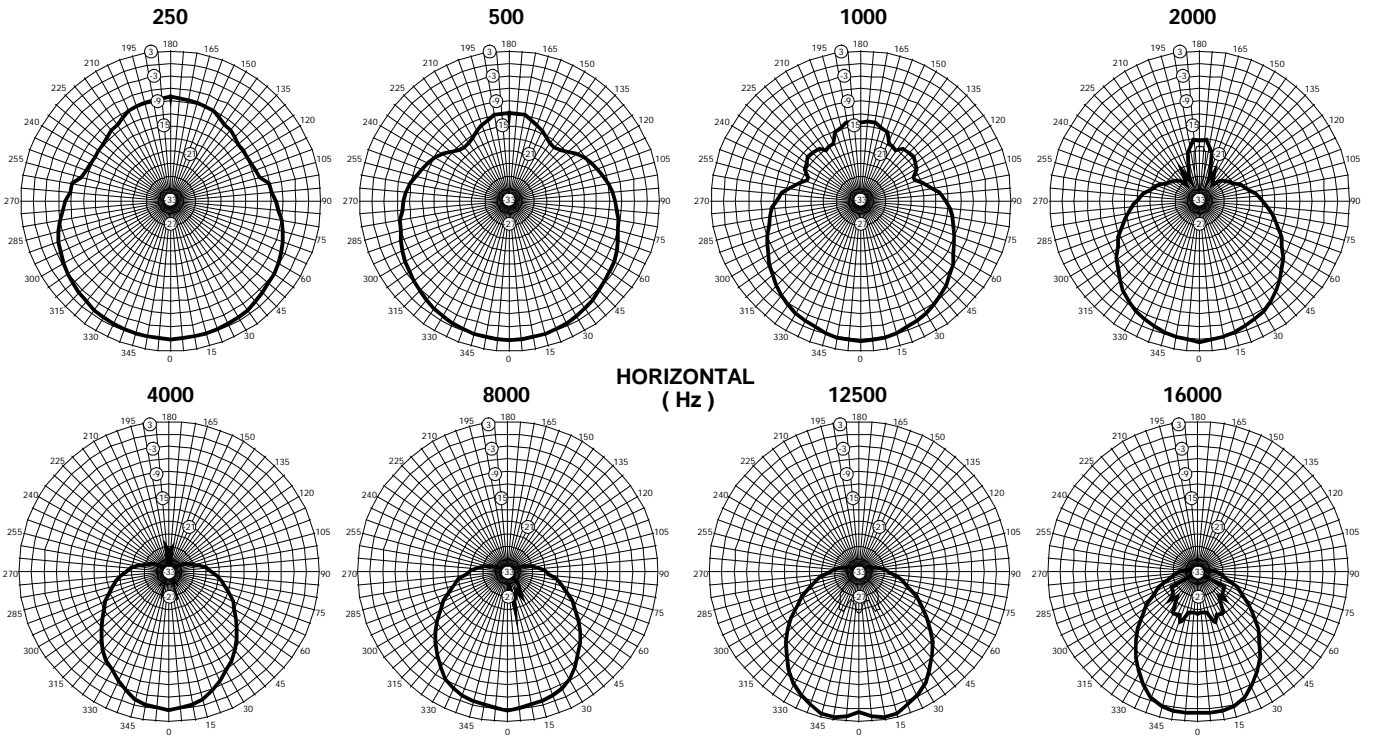
### PHYSICAL

Low Frequency Woofer	1x12" / 3" Coil
High Frequency Driver	1" - 1,7" Coil
Input Connectors	XLR/Jack, RCA Aux
Net Dimensions (WxHxD)	16" x 24,9" x 14,5"
Shipping Dimensions (WxHxD)	19,5" x 28,3" x 18,5"
Net Weight	39,4 lbs
Shipping Weight	45,2 lbs
Enclosure Material	Polypropylene
Grille	Steel with powder coat black paint finish
Power Cord	196 inch

\* CONT. : 500ms burst, rms power on nominal speaker impedance  
MAX: 2ms burst, rms power on nominal speaker impedance  
MAX PEAK: based on max peak output voltage and nominal speaker impedance

\*\* CONT. SPL: free space, based on continuous power amp rating and LF transducer average sensitivity data, 125ms time average  
PEAK SPL: free space, based on max. peak power amp rating and system peak sensitivity, 10ms time average

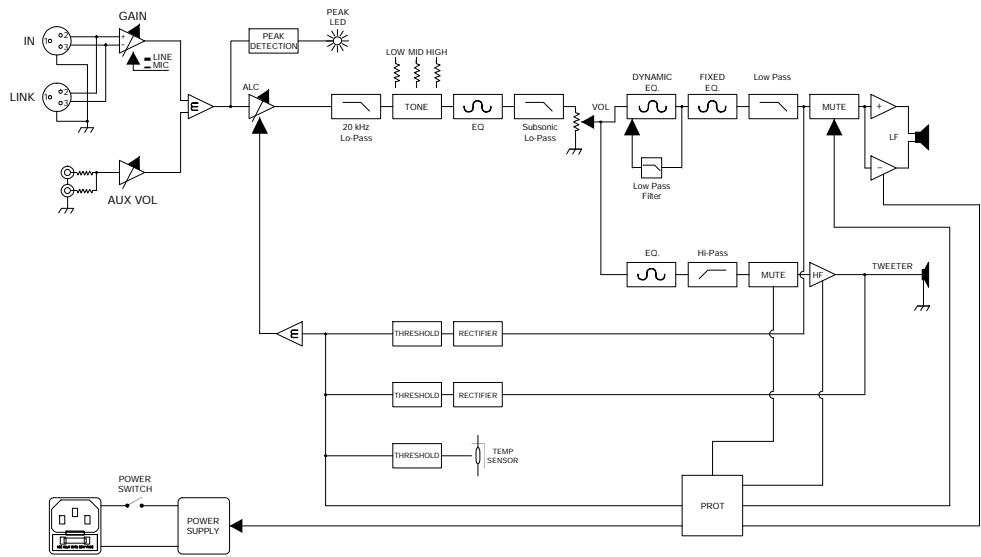
# DIAGRAMS



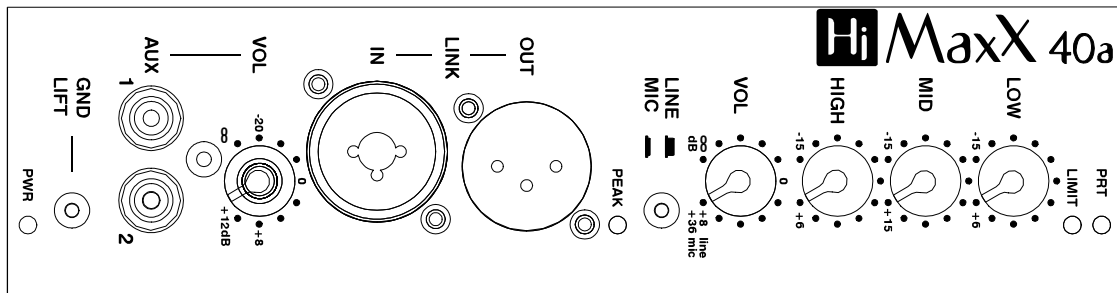
# FBT HiMaxX 40a

## PROCESSED ACTIVE MONITOR

### BLOCK DIAGRAM



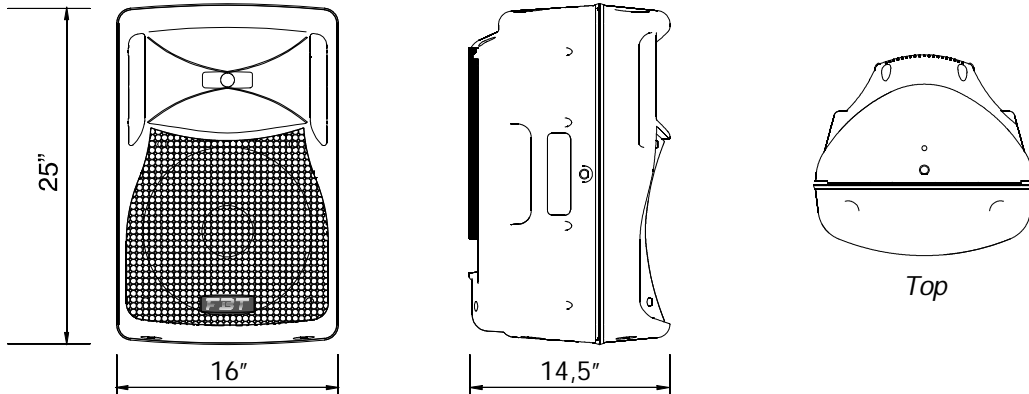
### CONTROL PANEL



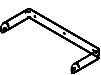
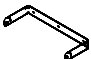
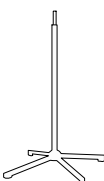
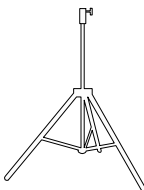
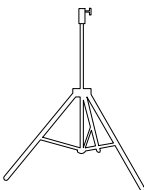

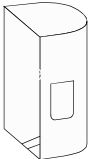
Front

Side

**DIMENSION DRAWING**



### ACCESSORIES

-   
**BOX 100**  
 Mount for horizontal wall installation
-   
**BOX 101**  
 Mount for vertical wall installation
-   
**SS2**  
 Standard speaker floor stand
-   
**BOX 32BK**  
 Adjustable aluminium floor stand, damped safety mechanism
-   
**BOX 22BK**  
 Adjustable aluminium floor stand,  $\varnothing 1.38''$  with  $\varnothing 1''$  adapter
-   
**BOX 52BK**  
 Adjustable for sub-satellite speaker connection, with safety locking device
-   
**V29**  
 Nylon case