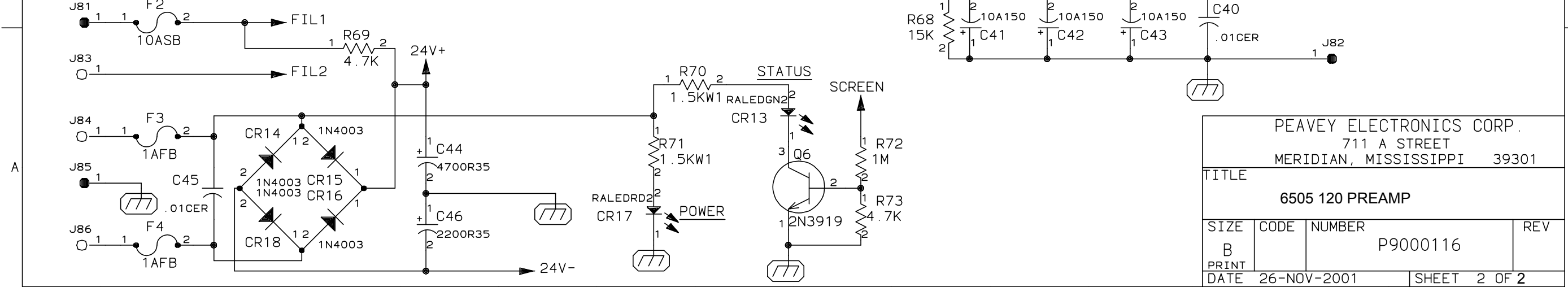
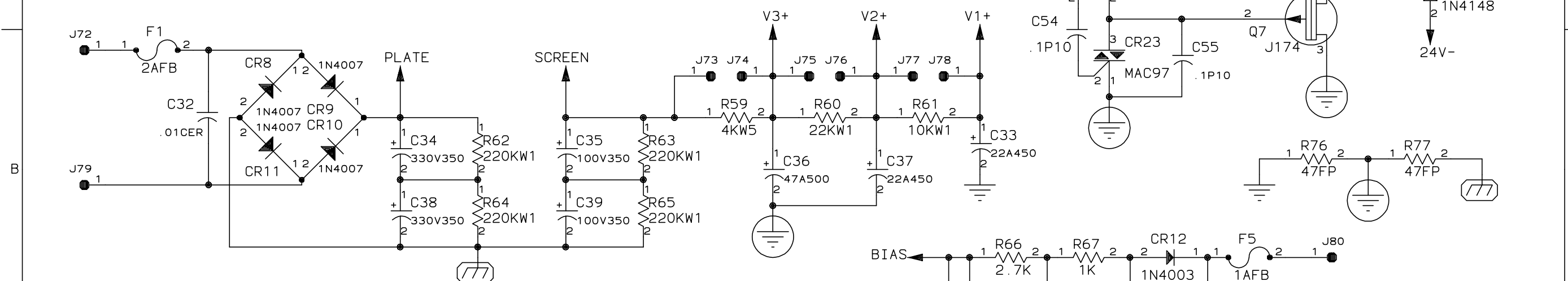
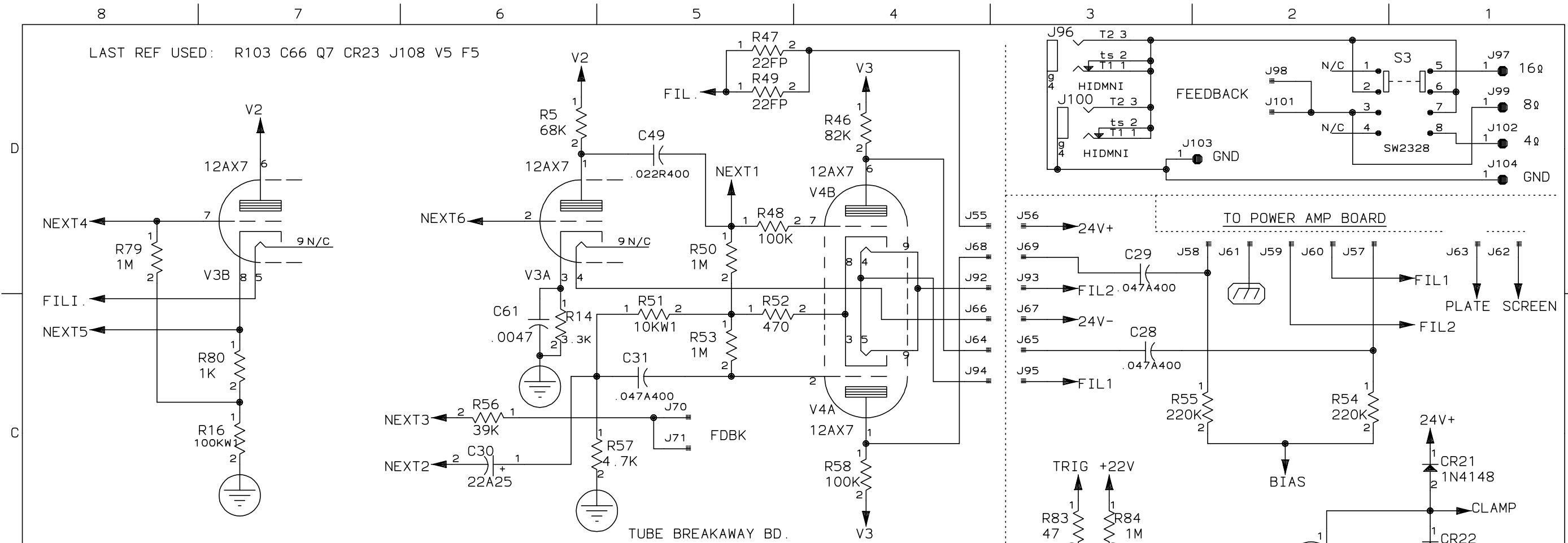


PEAVEY ELECTRONICS CORP. 711 A STREET MERIDIAN, MISSISSIPPI 39301			
TITLE 6505 120 PREAMP			
SIZE B	CODE	NUMBER P9000116	REV
PRINT	DATE 19-MAY-95	SHEET 1 OF 2	

LAST REF USED: R103 C66 Q7 CR23 J108 V5 F5



PEAVEY ELECTRONICS CORP. 711 A STREET MERIDIAN, MISSISSIPPI 39301			
TITLE 6505 120 PREAMP			
SIZE B	CODE	NUMBER P9000116	REV
PRINT	DATE 26-NOV-2001	SHEET 2 OF 2	

B I L L O F M A T E R I A L S R E P O R T

BOARD NAME: 6505 120 PREAMP REPORT DATE: 27SEP04
 ASSEMBLY LEVEL NUMBER: 99002912 DESIGNER: KEITH VARNER
 PROJECT NUMBER: P0400092

CBDS

** QTY.	NAME	VALUE	PART NUMBER	DESCRIPTION AND DEVICE DESIGNATIONS *****
1	72120219	72120219	ECN#2091	PCB
2	.001	.001	70340000	.001MF----10%----50VDC----MON----T&R C19, C48
1	.0022	.0022	70340004	.0022MF---10%----50VDC----T/C----T&R C17
1	.0047	.0047	70340007	.0047MF---10%----50VDC----MON----T&R C61
1	.0068	.0068	70340008	.0068MF---10%----50VDC----MON----T&R C12
1	.01	.01	70340011	.01MF-----10%----50VDC----T/C----T&R C59
3	.01CER	.01CER	70320099	.01 MFD 1000VDC CD -UNCUT C32, C40, C45
2	.022	.022	70340012	.022MF----10%----50VDC----MON----T&R C18, C21
8	.022R400	.022R400	70320106	.022 MFD 400V RADIAL MYLAR C1, C2, C6, C49, C52, C56, C57, C58
1	.033	.033	70340014	.033MF----10%----50VDC----MON----T&R C62
4	.047A400	.047A400	70320105	.047MFD 450 VOLT T&R CAP C11, C28, C29, C31
4	.1P10	.1P10	70340101	.1MF-----10%----50VDC----MON----T&R C8, C54, C55, C63
2	.1R250MY	.1R250MY	70320096	.1 MFD 250VDC MYLAR CA/BR C15, C66
2	.33R400	.33R400	70320107	.33MF----10%----400VDC---MYLAR--R/W C53, C65
1	1.5K	1.5K	70240018	1.5K--1/4W--5%----CF--T&R R42
2	1.5KW1	1.5KW1	70210007	1.5K--1W----5%----MO--T&R R70, R71

3	1.82KP1	1.82KP1	70241078	1.82K-1/4W--1%----CF--T&R R12, R13, R17
2	1000A35	1000A35	70320038	1000 MFD 35VDC LYTIC CAP C9, C24
9	100K	100K	70240034	100K--1/4W--5%----CF--T&R R1, R3, R33, R48, R58, R86, R101, R103, R104
1	100KW1	100KW1	70210017	100K--1W----5%----MO--T&R R16
1	100PF	100PF	70340054	100PF-----10%----50VDC----T/C----T&R C60
2	100V350	100V350	70320130	100 MFD 350VDC RADIAL SNAP-IN C35, C39
3	10A150	10A150	70320016	10 MFD 150VDC LYTIC - AXIAL LEAD C41, C42, C43
1	10AFB	10AFB	70900370	10 AMP F/B FUSE WITH 2 FUSECLIPS F2
#70900283				
1	10KAVB	71190528	71190528	10K 20% AUD MIN VPC W/BACKET VR9
2	10KW1	10KW1	70210018	10K---1W----5%----MO--T&R R51, R61
4	125SOWD	70900788	70900788	SPACER, 1/8,R(#4),.187 SWAGE ALUM. M1, M2, M3, M4
5	12AX7	12AX7	70806612	12AX7 VACUUM TUBE W/9 PIN PC MNT SOCKET V1, V2, V3, V4, V5
4	12VRELAY	71322277	71322277	DPDT OMRON RELAY 12VDC K1, K2, K3, K4
1	15K	15K	70240027	15K---1/4W--5%----CF--T&R R68
1	180PF	180PF	70340056	180PF-----10%----50VDC----T/C----T&R C27
3	1A50NP	1A50NP	70320138	1MFD 10% 50VNP EL T&R C3, C4, C5
3	1AFB	1AFB	70900085	AGC 1 AMP FUSE F3, F4, F5
2	1K	1K	70240017	1K---1/4W--5%----CF--T&R R67, R80

16	1M	1M	70240039	1M----1/4W--5%----CF--T&R R9, R21, R25, R26, R32, R40, R41, R50, R53, R72, R79, R84, R87, R88, R91, R100
2	1MAVB	71190516	71190516	1 MEG AUD MIN VPC 20% W/BRKT VR6, VR7
4	1MAVBP5	71190522	71190522	1 MEG AUD MIN VPC 5% TAPER W/BRKT VR1, VR2, VR3, VR8
5	1N4003	1N4003	70464003	1N4003 200V SILICON DIODE CR12, CR14, CR15, CR16, CR18
4	1N4007	1N4007	70464007	1N4007 1KV, 1A, SILICON DIODE CR8, CR9, CR10, CR11
5	1N4148	4148	70464148	1N4148 75V 10MA SILICON DIODE CR1, CR2, CR3, CR21, CR22
2	2.2K	2.2K	70240020	2.2K--1/4W--5%----CF--T&R R93, R102
3	2.2M	2.2M	70240040	2.2M--1/4W--5%----CF--T&R R43, R75, R81
1	2.7K	2.7K	70240021	2.7K--1/4W--5%----CF--T&R R66
1	2200R35	2200V35	70320113	2200 MFD 35VDC RADIAL LYTIC C46
8	220K	220K	70240036	220K--1/4W--5%----CF--T&R R2, R4, R7, R20, R54, R55, R85, R96
4	220KW1	220KW1	70210008	220K--1W----5%----MO--T&R R62, R63, R64, R65
4	22A25	22A25	70320012	22MF----50/10%---25VDC----EL----T&R C23, C25, C26, C30
2	22A450	22A450	70320020	22 MFD 450VDC LYTIC CAP C33, C37
2	22FP	22FP	70240100	22FP--1/4W--5%----FP----- R47, R49
3	22K	22K	70240029	22K---1/4W--5%----CF--T&R R27, R30, R44
1	22KW1	22KW1	70210005	22K---1W----5%----MO--T&R R60
1	250KBVB	71190515	71190515	250K LIN MIN VPC W/BACKET VR5
1	270PF	270PF	70340057	270PF-----10%----50VDC----T/C----T&R C51

1	2AFB	2AFB	70900133	AGC 2 AMP FUSE F1
1	2N3919	3919	70403919	SKA-3919 TO92 NPN TRANS Q6
1	3.3K	3.3K	70240022	3.3K--1/4W--5%----CF--T&R R14
1	330K	330K	70240037	330K--1/4W--5%----CF--T&R R11
2	330V350	330V350	70320169	330 MFD 350 VDC VERT. SNAP-IN C34, C38
1	33K	33K	70240030	33K---1/4W--5%----CF--T&R R24
3	39K	39K	70240048	39K---1/4W--5%----CF--T&R R15, R23, R56
1	39PF	39PF	70340052	39PF-----50VDC----T/C----T&R C20
4	4.7K	4.7K	70240023	4.7K--1/4W--5%----CF--T&R R57, R69, R73, R105
1	47	47	70240008	47----1/4W--5%----CF--T&R R83
1	470	470	70240015	470---1/4W--5%----CF--T&R R52
1	4700R35	4700R35	70350200	4700 MFD 35VDC RADIAL SNAP-IN C44
5	470K	470K	70240038	470K--1/4W--5%----CF--T&R R6, R19, R29, R82, R89
3	470PF	470PF	70340058	470PF-----10%----50VDC----T/C----T&R C10, C13, C14
1	47A500	47A500	70320005	47MF 500VDC ELECTROLYTIC -AXIAL C36
2	47FP	47FP	70240090	47FP--1/4W--5%----FP--T&R R76, R77
4	47K	47K	70240031	47K---1/4W--5%----CF--T&R R18, R28, R94, R95
1	47R50	47R50	70320117	47 MFD 50VDC RADIAL LYTIC C64
1	47W1	47W1	70210011	47----1W----5%----MO--T&R R37

1	4KW5	4KW5	70250050	4K--5W--10%--WW--AXL R59
1	50KBVB	71190511	71190511	50K LIN MIN VPC W/BACKET VR4
1	6531	6531	70406531	MPS-6531 TO92 NPN TRANS. Q3
2	68K	68K	70240032	68K---1/4W--5%----CF--T&R R5, R22
2	820	820	70240019	820---1/4W--5%----CF--T&R R38, R39
1	82K	82K	70240033	82K---1/4W--5%----CF--T&R R46
1	DRASW	PRASW	71322256	PC MNT SWITCH DUAL S1
3	FMPU	73711811	73711811	M118-171 C.B. FEMALE MOLEX PIN J83, J84, J86
5	HIDMNI	71466032	71466032	11J1255 2TP HDJCK NINS PC J38, J40, J41, J96, J100
1	HIDSNI	71466042	71466042	114BPC STEREO HDJCK NINS PC J46
1	J174	J174	70400174	J-174 30V TO-92 P-CHAN FET Q7
5	J325	J	70600005	22GA JUMPER WIRES T&R JP300, JP301, JP302, JP303, JP304
20	J4	J	70600005	22GA JUMPER WIRES T&R JP400, JP401, JP402, JP403, JP404, JP405, JP406, JP407, JP408, JP409, JP410, JP411, JP412, JP413, JP414, JP415, JP416, JP417, JP418, JP419
11	J5	J	70600005	22GA JUMPER WIRES T&R JP500, JP501, JP502, JP503, JP504, JP505, JP506, JP507, JP508, JP509, JP510
11	J6	J	70600005	22GA JUMPER WIRES T&R JP600, JP610, JP611, JP613, JP614, JP616, JP617, JP619, JP620, JP627, JP629
7	J7	J	70600005	22GA JUMPER WIRES T&R JP702, JP703, JP704, JP705, JP706, JP707, JP708
4	J8	J	70600005	22GA JUMPER WIRES T&R JP800, JP801, JP802, JP803

1	MAC97	MAC97	70400097	MAC97-6 400V .6A TO-92 TRIAC CR23
5	MMPD	73711812	73711812	R93-12 PN C.B. MALE MOLEX PIN J97, J99, J102, J103, J104
12	MMPU	73711812	73711812	R93-12 PN C.B. MALE MOLEX PIN J72, J73, J74, J75, J76, J77, J78, J79, J80, J81, J82, J85
1	PRASW	PRASW	71322213	DPDT P/P CB MNT SWITCH S2
2	RALEDGN2	RALEDGN2	70450578	SE-8721-D-GN-25MM LDS REC - RIGHT ANGLE CR5, CR13
2	RALEDRD2	RALEDRD2	70450577	SE-8711-D-RD-25MM LDS REC - RIGHT ANGLE CR7, CR17
2	RAMN6164	71466164	71466164	JK R/A 12.5MM NIN MONO -88 J37, J39
36	SPX1D	SPX1D	73717003	1 STAKE PIN J1, J2, J3, J4, J5, J6, J7, J8, J9, J10, J11, J12, J13, J14, J15, J16, J17, J18, J42, J44, J47, J49, J52, J54, J55, J64, J66, J68, J70, J71, J87, J88, J92, J94, J105, J107
43	SPX1U	SPX1U	73717003	1 STAKE PIN J19, J20, J21, J22, J23, J24, J25, J26, J27, J28, J29, J30, J31, J32, J33, J34, J35, J36, J43, J45, J48, J50, J51, J53, J56, J57, J58, J59, J60, J61, J62, J63, J65, J67, J69, J89, J90, J93, J95, J98, J101, J106, J108
1	SW2328	SW2328	71322328	2PTT PC MOUNT SLIDE SWITCH S3

* END OF BILL OF MATERIALS REPORT *
