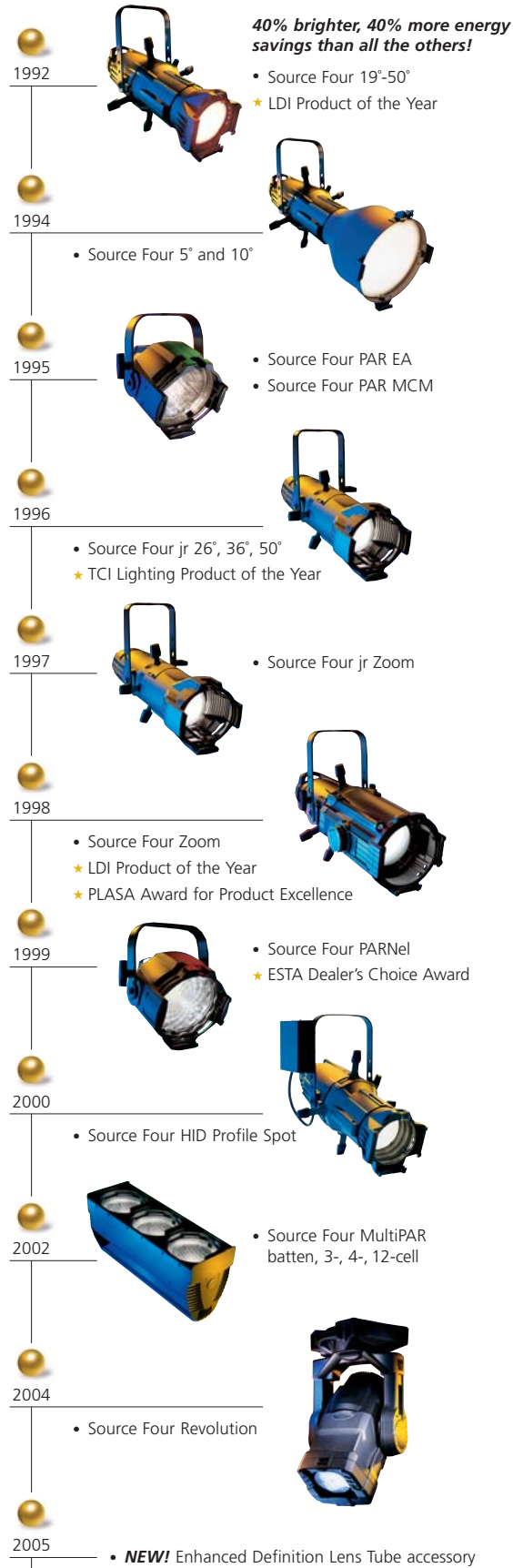


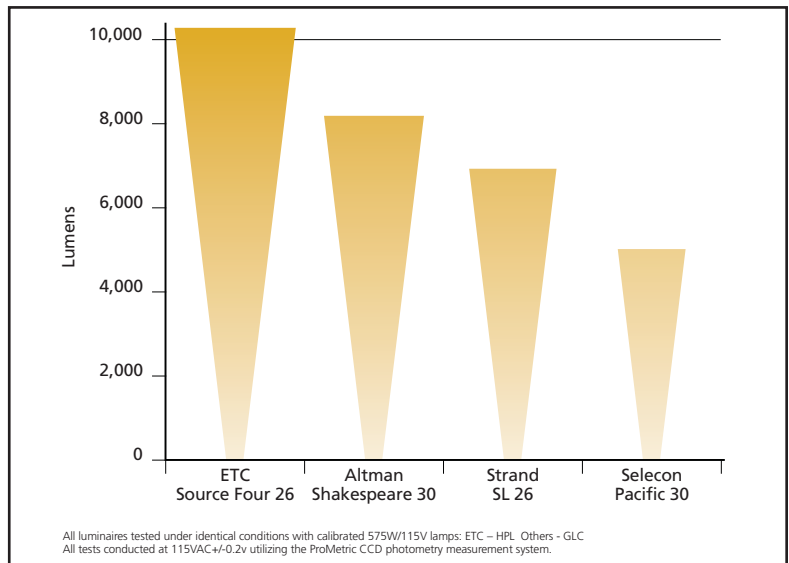
Best then, best now – ETC Source Four®

In 1992 ETC introduced the award-winning Source Four profile spotlight – the brightest luminaire available. Theatre lighting would never be the same. And now, the Source Four is even better.



The brilliance of the Source Four:

- A full range of fixed-focus and zoom luminaires for every application
- Cool beam performance
- Design-friendly cosine distribution
- Rugged construction for real-world usage
- HID and custom colours for architectural applications
- Scores of accessory options like colour changers, gobos, rotators, and effects modules made by industry manufacturers with the Source Four in mind...



Source Fours continue to be the choice of professionals, setting the industry standards in performance and efficiency.

And now, new for 2005 – Source Four EDLT

- Enhanced Definition Lens Tube accessory
- Available in 19°, 26°, 36° (50° coming soon!)
- Superior projected images, patterns, logos, gobos
- Heightened edge acuity
- Stunning contrast
- No compromise on light output!
- Available December, 2005



Source Four[®] EDLT

All about the new Source Four EDLT

What is Source Four EDLT?

EDLT stands for "Enhanced Definition Lens Tube." The EDLT offers heightened contrast and edge crispness to projected images, specifically when the Source Four is used as a gobo projector. This is an optional lens tube for the Source Four; it is not the entire fixture.

What's so innovative about the EDLT?

The EDLT's new dual-aspheric lenses utilise the most advanced manufacturing techniques and anti-reflective coatings. The system is optimised for sharp focus of intricate gobos with maximum lumen output.

Why is the EDLT an option rather than standard on Source Fours?

EDLT's advanced optical system costs more to produce and is not required for most lighting applications. But when the lighting situation calls for even more precise projection optics, EDLT is available! Remember, 1.6 million Source Four products are in the field and remain the benchmark for luminaires, still setting the standard for performance and price.

Is there any loss of light output associated with the EDLT?

No. Preliminary photometric tests show that the EDLT produces a gain in field lumens along with improvements in contrast and acuity.

What beam angles are available in the EDLT lens tubes?

Currently – 19°, 26° and 36°, with 50° coming soon!

When will the EDLT lens tubes ship?

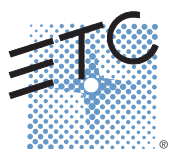
December 2005 for the 19°, 26° and 36°. First quarter 2006 for the 50°.

How much will the Source Four EDLT option cost?

List price is \$239.00/ea. for all beam angles. All usual discounts apply.

ORDERING INFORMATION

Part#	Description
7060A2046	19° S4 EDLT Lens Tube
7060A2047	26° S4 EDLT Lens Tube
7060A2048	36° S4 EDLT Lens Tube
7060A2049	50° S4 EDLT Lens Tube



Corporate Headquarters ■ 3031 Pleasant View Rd, PO Box 620979, Middleton WI 53562 0979 USA ■ Tel +1 608 831 4116 ■ Fax +1 608 836 1736

London, UK ■ Unit 26-28, Victoria Industrial Estate, Victoria Road, London W3 6UU, UK ■ Tel +44 (0)20 8896 1000 ■ Fax +44 (0)20 8896 2000

Rome, IT ■ Via Ennio Quirino Visconti, 11, 00193 Rome, Italy ■ Tel +39 (06) 32 111 683 ■ Fax +39 (06) 32 656 990

Holzkirchen, DE ■ Ohmstrasse 3, 83607 Holzkirchen, Germany ■ Tel +49 (80 24) 47 00-0 ■ Fax +49 (80 24) 47 00-3 00

Hong Kong ■ Room 605-606, Tower III Enterprise Square, 9 Sheung Yuet Road, Kowloon Bay, Kowloon, Hong Kong ■ Tel +852 2799 1220 ■ Fax +852 2799 9325

Web ■ www.etcconnect.com ■ Copyright © 2005 ETC. All Rights Reserved. All product information and specifications subject to change. Printed 09/05