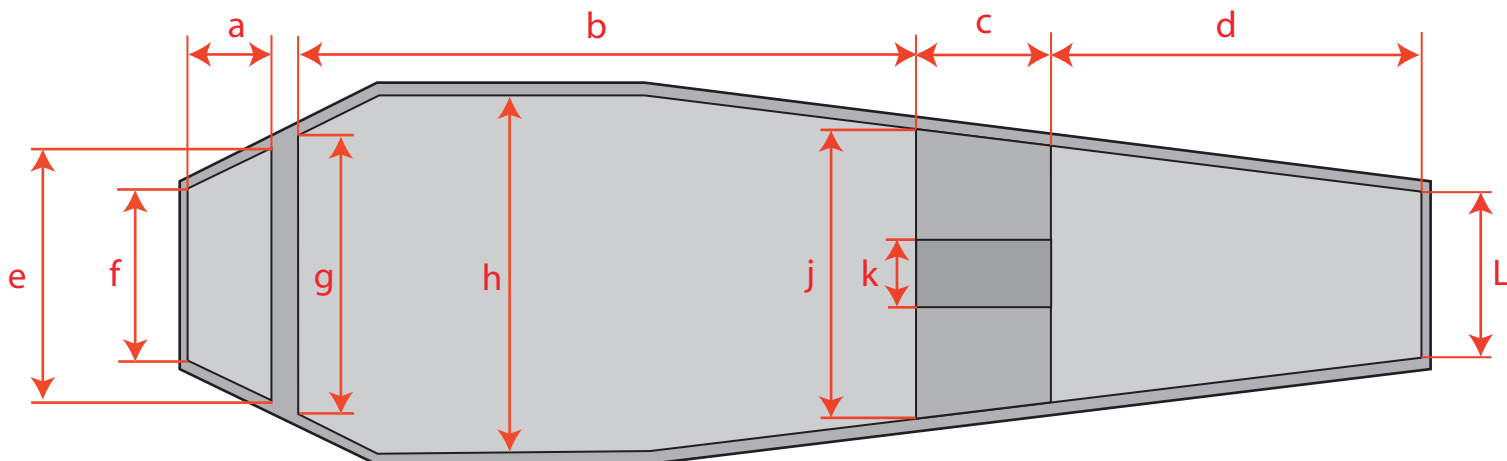


Casket Case

inside



padding around the sides : 20 mm
cut-out (height-bottom part): all models 50 mm,
LP Style 80 mm

outside

