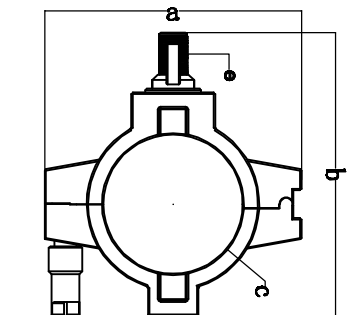
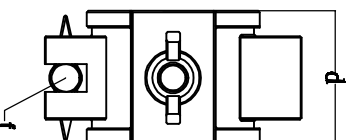


| mode \ size | a | b | c | d | e | f | bolt material | |
|-------------|-------|--------|--------|-------|--------|-------|---------------|----|
| | | | | | | | e | f |
| O-CLAMP2 | 92 mm | 101 mm | Ø50 mm | 48 mm | M10*30 | M8*35 | Q235 | A3 |
| O-CLAMP1.5 | 92 mm | 101 mm | Ø37 mm | 48 mm | M10*30 | M8*35 | Q235 | A3 |
| O-CLAMP1 | 92 mm | 101 mm | Ø23 mm | 48 mm | M10*30 | M8*35 | Q235 | A3 |

O-CLAMP2



O-CLAMP1.5



O-CLAMP1

