

the box

Speaker 15-300/8-A

Quick start guide

This quick start guide contains important information on the safe operation of the product. Read and follow the safety advice and instructions given. Retain the quick start guide for future reference. If you pass the product on to others please include this quick start guide.

Safety instructions

Intended use

When installed in a suitable housing, this device is used to convert electrical signals into acoustic signals. Any other use or use under other operating conditions is considered to be improper and may result in personal injury or property damage. No liability will be assumed for damages resulting from improper use.

Danger for children



Ensure that plastic bags, packaging, etc. are disposed of properly and are not within reach of babies and young children. Choking hazard! Ensure that children do not detach any small parts from the product. They could swallow the pieces and choke!

Danger of property damage by polarity reversal



Make absolutely sure that the polarity is observed when connecting the loudspeaker to an amplifier output. If you connect the loudspeaker with reverse polarity, it can be damaged.

Where to use the product

Never use the product

- in conditions of extreme temperature or humidity
- in extremely dusty or dirty areas
- at locations where the unit can become wet

General handling

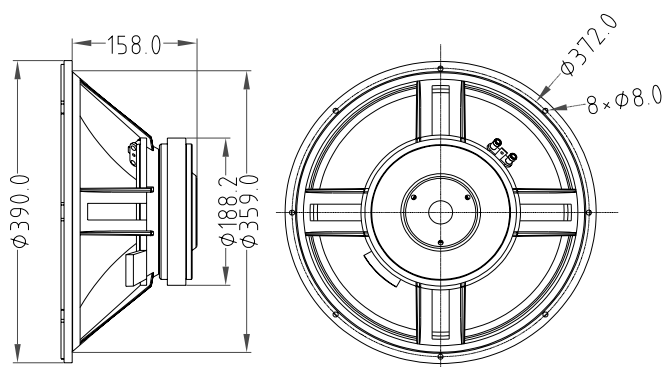
- To prevent damage, never use force when handling the product.
- Never immerse the product in water. Just wipe it with a clean dry cloth. Do not use liquid cleaners such as benzene, thinners or flammable cleaning agents.

Possible hearing damage

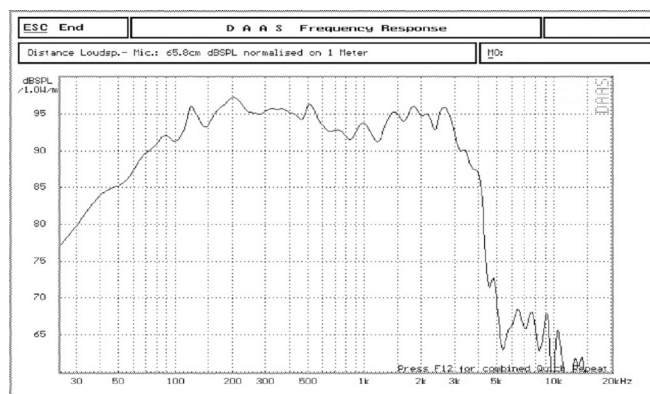


When headphones are connected, the unit can produce volume that may cause temporary or permanent hearing impairment. Do not operate the device continuously at high volume. Turn down the volume immediately if background noise or hearing failure should occur.

Dimensions



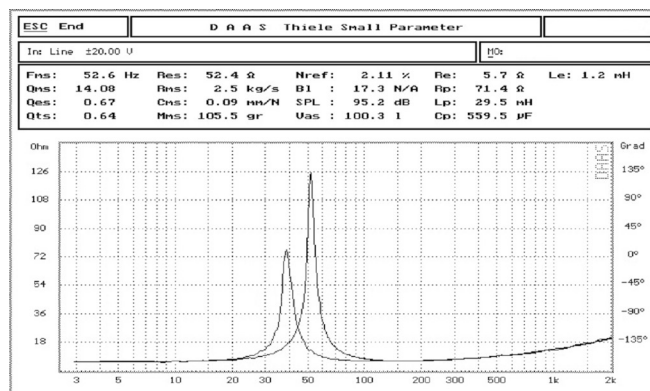
Frequency response



Technical Specifications

Diameter	15" (381 mm)
Impedance	8 Ω
Rated power	300 W RMS
Peak power	1200 W
Sensitivity (1 W / 1 m)	95 dB ± 2 dB
Min. resonance frequency	50 Hz ± 5 Hz
Frequency response	50 Hz – 4.0 kHz
Diameter of voice coil	75.5 mm
Material of voice coil	flat copper wire
Framework material of voice coil	Kapton®
Height of voice coil	16 mm
Depth of magnet	10 mm
Flux density	1.0 T

Impedance vs. Frequency (Thiele-Small parameter)



For the transport and protective packaging, environmentally friendly materials have been chosen that can be supplied to normal recycling. Ensure that plastic bags, packaging, etc. are properly disposed of. Do not just dispose of these materials with your normal household waste, but make sure that they are collected for recycling. Please follow the notes and markings on the packaging.



This product is subject to the European Waste Electrical and Electronic Equipment Directive (WEEE) in its currently valid version. Do not dispose of your old device with your normal household waste. Dispose of this product through an approved waste disposal firm or through your local waste facility. Comply with the rules and regulations that apply in your country. If in doubt, consult your local waste disposal facility.