

PHANTOM POWER

The MX122 Phantom Power is applied to the XLR input when the jumper connects the right two pins as you face the rear of the unit. Shown is an example of the Phantom Power connected.



ROLLS

MX122 MiniMix Pro Mixer



SPECIFICATIONS

Input Impedance:	Line:	10 K Ohms unbal.
	Mic:	10 K Ohms bal.
Phantom Power Voltage:		+12 VDC
Output Impedance:		50 Ohms bal
Max Input Level:		+24 dBV line, -8 dBV microphone
Phase Shift:		< 10 deg. 20 Hz - 20 kHz
Connectors:		8: 1/4" TS Inputs, 1: XLR Mic Input 3: 1/4" TRS, 1: 1/8" (3.5mm) Outputs
Max Gain:		26 dB Line 26 dB Aux 80 dB Mic
Mic CMRR:		95 dB
S/N Ratio:		>90 dB
THD		< .004%
IMD (SMPTE)		< .004%
Self Noise:		< - 82 dB
Power		12 VDC
Size:		8.4" x 1.7" x 5" (21.3 x 4.3 x 13 cm)
Weight:		2.5 lbs (1.14 kg)

ROLLS

ROLLS CORPORATION
SALT LAKE CITY, UTAH
12/10

Quick Start Guide

Thank you for your purchase of the Rolls MX122 MiniMix Pro Mixer. The MX122 is a line-level mixer featuring a single mic input and four channels of stereo inputs.

INSPECTION

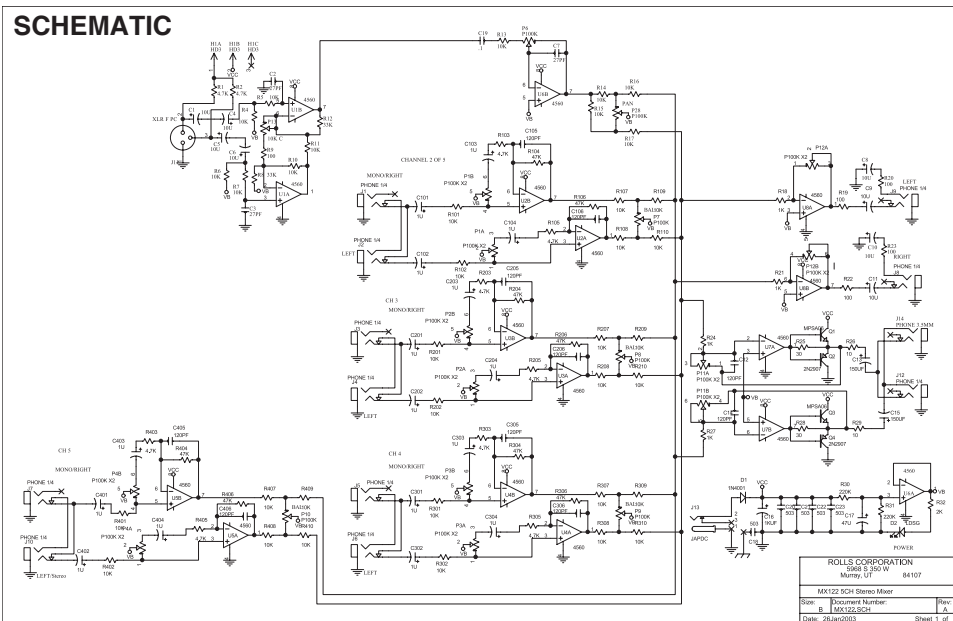
1. Unpack and inspect the MX122 box and package. Your MX122 was carefully packed at the factory in a protective carton. Nonetheless, be sure to examine the unit and the carton for any signs of damage that may have occurred during shipping. If obvious physical damage is noticed, contact the carrier immediately to make a damage claim. We suggest saving the shipping carton and packing materials for safely transporting the unit in the future.

2. Please visit our website at www.rolls.com and click on the **Register Warranty Here** text, then fill out the Warranty Registration info to register your MX122.

FEATURES

- 1 XLR balanced Mic Input with rear panel Trim control
- +12VDC Phantom Power
- 4 individual 1/4" Stereo Inputs
- Balanced 1/4" TRS Outputs
- Balance control on each channel (Pan on the Mic channel)
- Headphone / Auxiliary Outputs
- External Power Supply included for low noise operation

SCHEMATIC



FRONT PANEL



Channel One

Mic Level: Adjusts the signal level of the microphone preamp circuitry.
 Pan: Adjusts the relative level of the microphone signal to the Right and Left Outputs.

Note: Channels Two through Five are identical.

Channel Two - Five Section

Level: Adjusts the overall signal level of the channel.
 Bal: Adjusts the relative level of the channel signal to the Right and Left outputs.

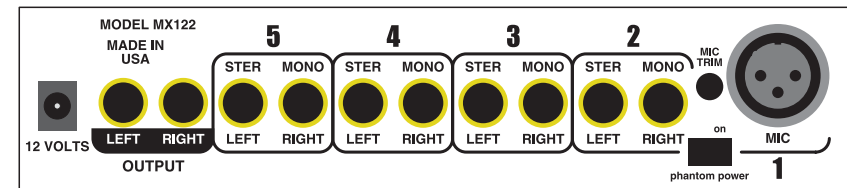
Master Level : Controls the overall output level of the MX122.

Phone/Aux Level: Adjusts the output level of the Phone/Aux Outputs.

Phone/Aux Outputs: 1/4" and 1/8" (3.5mm) TRS stereo jacks for monitoring the master right and left signals, also may be used as an alternative stereo output for connecting to another stereo amplifier.

PWR: Indicates that the MX122 is connected to an AC outlet and is on.

REAR PANEL



12 VDC: Connects to the included Rolls PS27 12 VDC power supply.

Master Outputs

Right and Left Out: 1/4" TRS balanced main output jacks. For connection to an amplifier, recording device or signal processor.

Channel Inputs

Note: Channels Two through Five are identical.

Right / Left: 1/4" TS unbalanced jacks for connection to the right and left outputs of a stereo instrument. If a mono signal is being sent, use the Right input, for a Tip-Ring-Sleeve stereo signal, use the Left input.

Mic Input Channel 1: Balanced XLR jack for connection to a condenser or dynamic microphone.

Phantom Power: Jumper connector for applying +12V phantom power to the Mic XLR Input jack.

Mic Trim: Adjusts the initial gain of the Mic preamp circuitry.