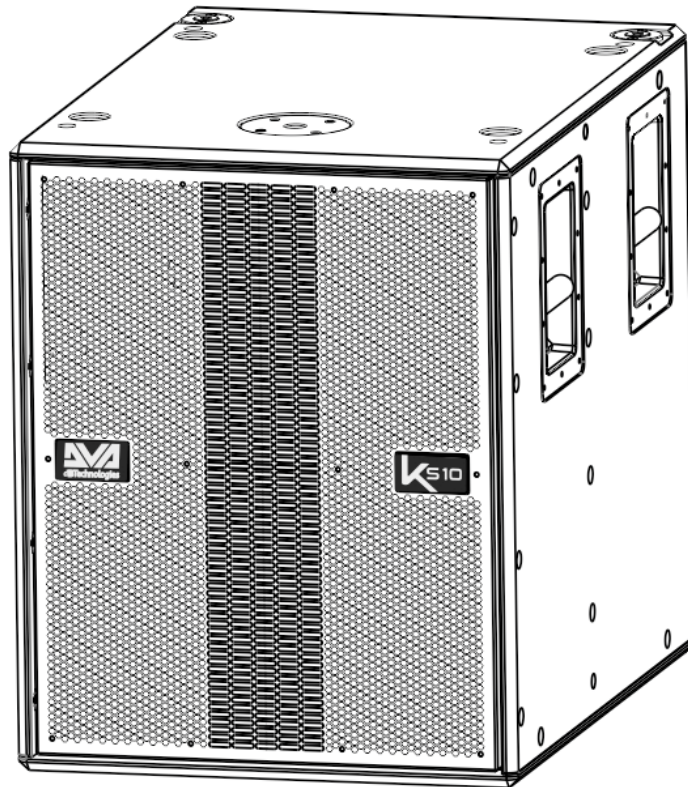




# KS10

**Quick start user manual**  
*Section 1*



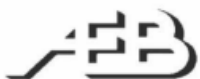
The warnings in this manual must be observed together with the "USER MANUAL - Section 2".

Le avvertenze nel presente manuale devono essere osservate congiuntamente al "MANUALE D'USO - Sezione 2".

Die Warnungen in diesem Handbuch müssen in Verbindung mit der "BEDIENUNGSANLEITUNG - Abschnitt 2" beobachtet werden".

Les avertissements spécifiés dans ce manuel doivent être respectés ainsi que les "CARACTERISTIQUES TECHNIQUES - Section 2".

Las advertencias del presente manual se deben tener en cuenta conjuntamente con las del "MANUAL DEL USUARIO" - Sección 2".



A.E.B. Industriale Srl Via Brodolini, 8 Località Crespellano 40053 VALSAMOGGIA BOLOGNA (ITALIA)  
Tel +39 051 969870 Fax +39 051 969725 [www.dbtechnologies.com](http://www.dbtechnologies.com) [info@dbtechnologies-aeb.com](mailto:info@dbtechnologies-aeb.com)



**Thank you for choosing a dBTechnologies Product!**

DVA KS10 is an active semi-horn loaded subwoofer, equipped with one 18" transducer with a 4" voice coil. The powerful DIGIPRO® G3 amplifier section, capable of handling up to 900 W (RMS power), is controlled by a DSP, which can perform a detailed customization of the output sound of the subwoofer. In particular, thanks to the new interface, it is possible to quickly tune various types of installation, controlling the level, the phase and delay of the output. The input and output audio connections can be in mono or stereo configuration.

Check the site [www.dbtechnologies.com](http://www.dbtechnologies.com) for the complete user manual!

## 1) Unpacking

The box contains:

- N°1 DVA KS10
- N°1 Mains cable with Neutrik® powerCON connector
- N°1 100-120 V FUSE
- This quick start and warranty documentation

## 2) Easy installation

DVA KS10 is equipped with:

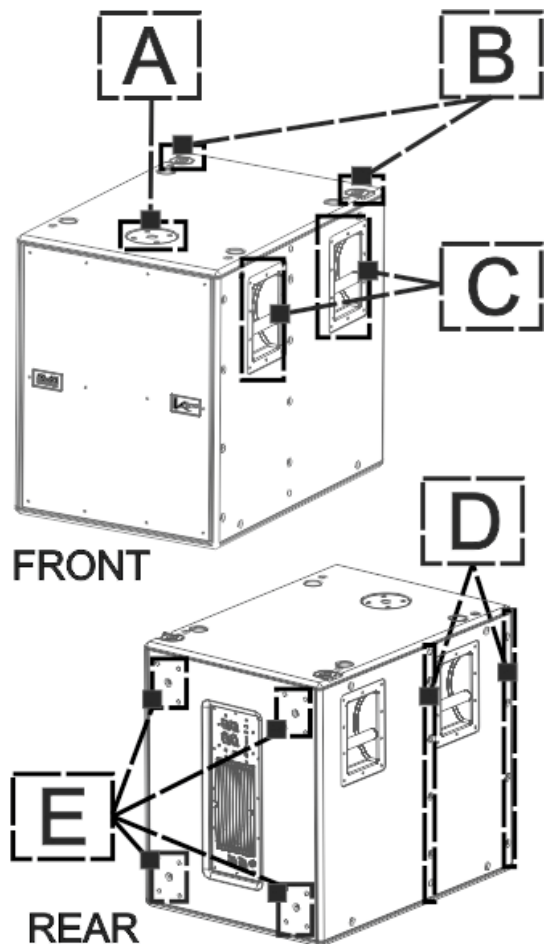
Hole for M20 pole mounting (A)

Mounting holes for DRK-10 and DRK-20 fly bars (B)

Metal handles for easy handling (C)

Additional holes for SRK-10 optional kit mounting (D)

Holes for direct wheels mounting (E)

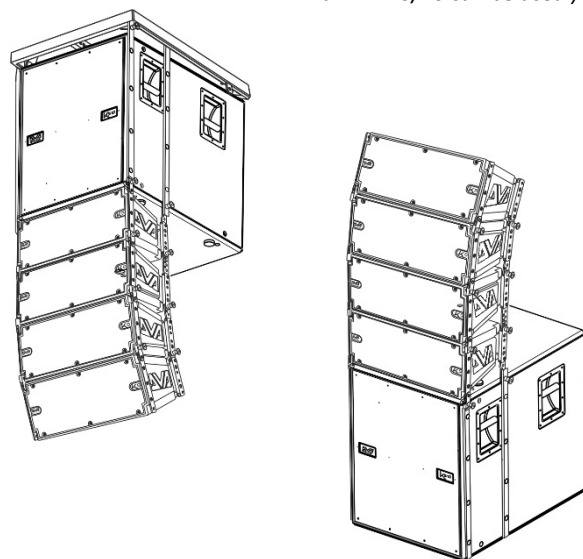


DVA KS10

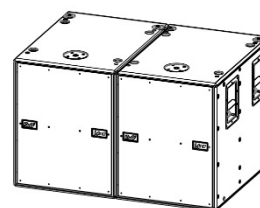
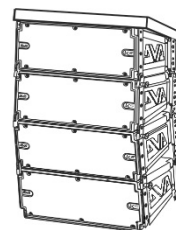
These mounting holes are used to install DVA KS10 in different configurations for different stage needs. In particular three installation examples are shown in the following pictures:

*Flown: DVA KS10 subwoofer, DRK-10/20 Fly Bar, SRK-10 kit, DVA K5 line-array*

*Stacked: DVA KS10 subwoofer, SRK-10 kit, DVA K5 line-array (in alternative a DRK-10/20 can be used)*



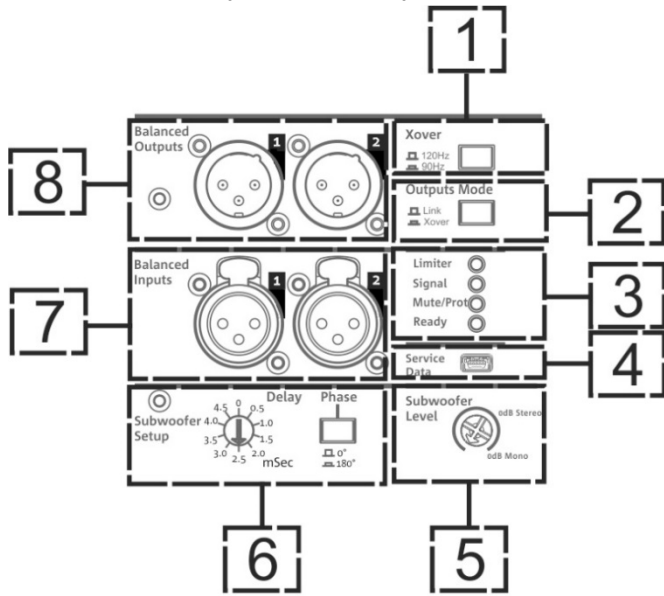
*DVA K5 line-array flown with DRK 10 Fly Bar, 2 matched KS10 subwoofers*



For further information about accessories and configurations, download the complete user manual: [www.dbtechnologies.com/EN/Downloads.aspx](http://www.dbtechnologies.com/EN/Downloads.aspx) or scan the QR code.

## First switch on:

The DIGIPRO G3® amplifier of DVA KS10 is controlled by a powerful DSP. All the connections and controls are in the rear amplifier control panel:



- 6 – Subwoofer Setup switch (Phase) and BCD rotary switch (Delay)
- 7 – Balanced inputs
- 8 – Balanced outputs
- 9 – Mains fuse
- 10 – Auto-range mains input
- 11 – Mains link

## WARNING

*The fuse is factory set for 220-240 V operation.*

*If it is necessary to change the fuse to 100-120V range:*

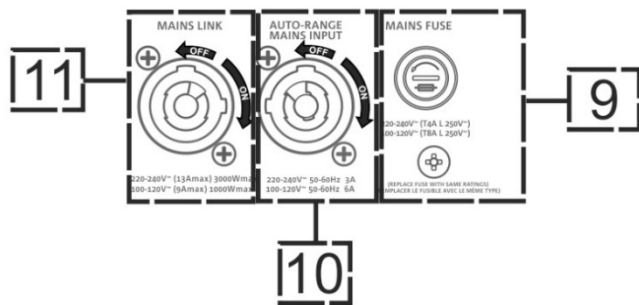
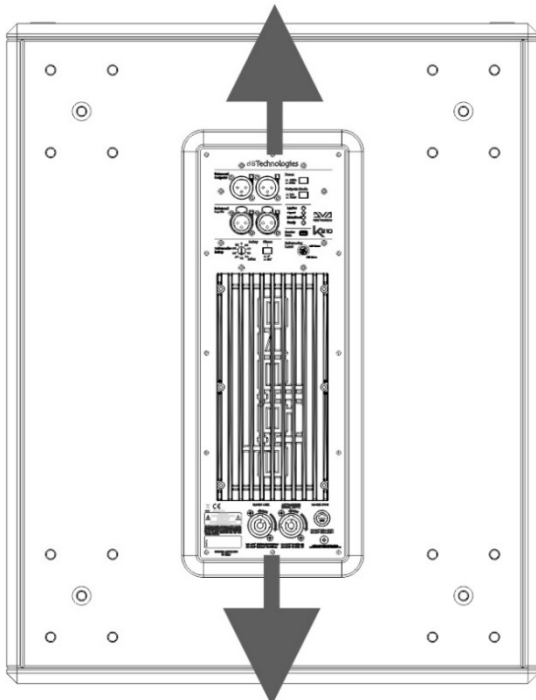
1. Disconnect the speaker from any cable
2. Wait 5 minutes
3. Substitute the fuse with the correct one supplied

*Use only cables with Neutrik® connectors!*

a) Once you have properly set up the desired configuration (see also the DVA KS10 complete user manual and accessories instructions for further information), connect the audio input (mono) or inputs (stereo) (7). Connect the output (mono) or outputs (stereo) (5) and consequently set the Subwoofer level to 0 dB in the right position (5).

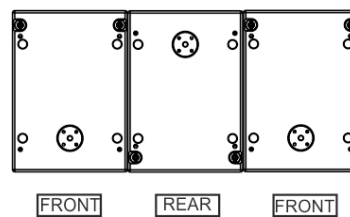
b) Set properly the Outputs Mode (2), (“Link” in case of direct link connection, “Xover” in case the output is sent to another speaker or speaker array). If you have selected the “Xover” Mode with the related switch (2), select the correct frequency with the Xover switch (1).

c) Choose the Subwoofer Setup (Delay and Phase) (6) to obtain the correct behavior, in case of subwoofer-cluster configurations. For example, in the 3-elements cardioid configuration, set the “Phase” to 180° and the “Delay” to 3.5 mSec. For another example, in Endfire configuration, with two DVA KS10s front panels at the distance of 1.35 mt, let the “Phase” to 0° value, and set the “Delay” to 4.0 ms in the most forward subwoofer.

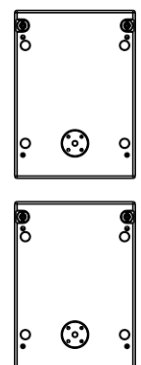


- 1 – Xover switch (for the choice of frequency cutoff)
- 2 – Output mode switch (Link or Xover mode)
- 3 – LEDs (Limiter, Signal, Mute/Prot)
- 4 – Service data mini B-type USB port
- 5 – Subwoofer level rotary encoder

Cardioid configuration



Endfire configuration



*N.B. Please note that these values are purely for information and they can depend on different setup variables.*

d) Connect the power link (11) to potential other DVA KS10s or line-array elements, if needed. Then connect the power supply (10) to the module. The “Ready” LED turns on, signaling the proper power connection. Turn the Subwoofer level (5) to the desired value. The “Signal” LED (3) starts blinking at the presence of audio signal (greater than -20 dBu).

For further information, download the complete user manual: [www.dbtechnologies.com/EN/Downloads.aspx](http://www.dbtechnologies.com/EN/Downloads.aspx) or scan the QR code.

## Technical Data

**Speaker Type:** Active semi-horn loaded subwoofer

## Acoustical data

**Frequency Response [-10 dB]:** 41 - 120 Hz

**Max SPL:** 134 dB

**LF:** 18"

**LF Voice Coil:** 4"

**Crossover frequencies:** 90 Hz, 120 Hz LPF

## Amplifier

**Amp Technology:** Digipro® G3

**Amp Class:** Class-D

**RMS Power:** 900 W

**Peak Power:** 1800 W

## Processor

**Controller:** DSP, 28/56 bit 48 kHz

**Limiter:** Peak, Thermal

**Controls:** Rotary Delay Control (0-4.5 ms, steps: 0.5 ms) and switches (Outputs Mode, Phase, Xover), Subwoofer level

## Input

**Mains connections:** PowerCON® In/link

**Signal Input:** (Balanced) 2x IN (L,R)

**Signal Out:** (Balanced) 2x OUT (L,R)

**USB connector:** mini USB B-type (for SERVICE DATA)

## Mechanics

**Housing:** Birch plywood

**Grille:** CNC Metal grille black painted

**Rigging points:** integrated for SRK10 Fly kit, 2x Pick points on top for DRK10/20 rigging frames

**Pole Mount:** yes, for M20 screw pole mount

**Width:** 515 mm (20.28 in)

**Height:** 640 mm (25.20 in)

**Depth:** 720 mm (28.35 in)

**Weight:** 43.4 kg (95.69 lbs.)



Scan with your QR Reader  
App to download the  
complete User Manual

Download the complete user manual on:

[www.dbtechnologies.com/EN/Downloads.aspx](http://www.dbtechnologies.com/EN/Downloads.aspx)

## EMI CLASSIFICATION

According to the standards EN 55103 this equipment is designed and suitable to operate in E3 (or lower E2, E1) Electromagnetic environments.

### **FCC CLASS B STATEMENT ACCORDING TO TITLE 47, PART 15, SUBPART B, §15.105**

This equipment has been tested and found to comply with the limits for a Class B digital device, pursuant to part 15 of the FCC Rules.

These limits are designed to provide reasonable protection against harmful interference in a residential installation.

This equipment generates, uses and can radiate radio frequency energy and, if not installed and used in accordance with the instructions, may cause harmful interference to radio communications.

However, there is no guarantee that interference will not occur in a particular installation. If this equipment does cause harmful interference to radio or television reception, which can be determined by turning the equipment off and on, the user is encouraged to try to correct the interference by one or more of the following measures:

1. Reorient or relocate the receiving antenna.
2. Increase the separation between the equipment and receiver.
3. Connect the equipment into an outlet on a circuit different from that to which the receiver is connected.
4. Consult the dealer or an experienced radio/TV technician for help.

**WARNING:** Make sure that the loudspeaker is securely installed in a stable position to avoid any injuries or damages to persons or properties. For safety reasons do not place one loudspeaker on top of another without proper fastening systems. Before hanging the loudspeaker check all the components for damages, deformations, missing or damaged parts that may compromise safety during installation. If you use the loudspeakers outdoor avoid spots exposed to bad weather conditions.

Contact dB Technologies for accessories to be used with speakers. dBTechnologies will not accept any responsibility for damages caused by inappropriate accessories or additional devices.

*Features, specification and appearance of products are subject to change without notice.*

*dBTechnologies reserves the right to make changes or improvements in design or manufacturing without assuming any obligation to change or improve products previously manufactured.*