



STARVILLE

Projection Screen Roll-Up 70" 16:9

Quick start guide

This quick start guide contains important information on the safe operation of the product. Read and follow the safety advice and instructions given. Retain the quick start guide for future reference. If you pass the product on to others please include this quick start guide.

Safety instructions

Intended use

This device serves as a mobile Chromakey backdrop. Any other use or use under other operating conditions is considered to be improper and may result in personal injury or property damage. No liability will be assumed for damages resulting from improper use.

Danger for children



Ensure that plastic bags, packaging, etc. are disposed of properly and are not within reach of babies and young children. Choking hazard! Ensure that children do not detach any small parts from the product. They could swallow the pieces and choke! Never let children unattended use electrical devices.

Where to use the product

Never use the product

- in conditions of extreme temperature or humidity
- in extremely dusty or dirty areas
- in locations where the unit can become wet
- on sloping, uneven or insufficiently stable surfaces - risk of falling!

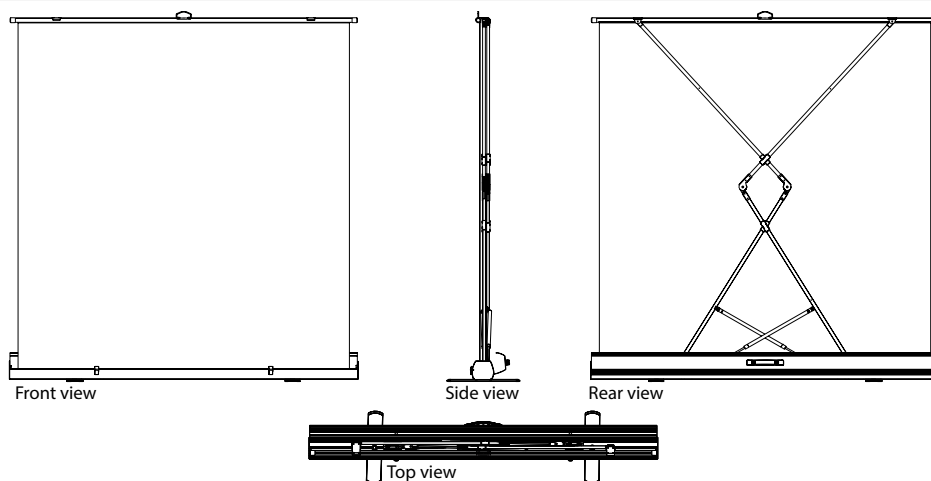
General handling

- To prevent damage, never use force when handling the product.
- Never immerse the product in water. Just wipe it with a clean dry or moist cloth. Do not use liquid cleaners such as benzene, thinners or flammable cleaning agents.

Features

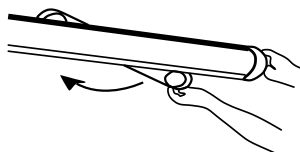
- Mobile roll-up screen for front projection
- Easy transport and safe storage thanks to the roll-up system in a stable aluminium case
- Quick assembly and disassembly thanks to two hydraulic supports
- Stable and durable scissor system
- Two foldable feet for a secure stand
- No wrinkles thanks to the automatic roll-up
- High quality projection film for optimal reflection
- Available with green (item # 502209), blue (item # 512149) and mat white fabric (300D, item # 515329)

Setup



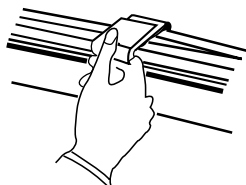
Follow the steps below to assemble the screen:

1. Unfold the feet.

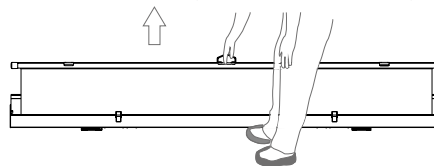


2. Place the backdrop where you want it.

3. Open the two snap locks and fold the cover back.



4. Pull up the screen evenly and without great effort by the eyelet in the middle.



5. After use, reverse the order to put the screen back together.

Technical specifications

- | | | | |
|------------------------------------|-------------------|-------------------------------|---------------------------|
| ■ Screen dimensions (W × H): | 1550 mm × 872 mm | ■ Transport size (W × H × D): | 1780 mm × 170 mm × 150 mm |
| ■ Height of the upper screen edge: | max. 2100 mm | ■ Weight: | 9.70 kg |
| ■ Dimensions when set up (W × H): | 1500 mm × 2000 mm | | |



For the transport and protective packaging, environmentally friendly materials have been chosen that can be supplied to normal recycling. Ensure that plastic bags, packaging, etc. are properly disposed of. Do not just dispose of these materials with your normal household waste, but make sure that they are collected for recycling. Please follow the notes and markings on the packaging.