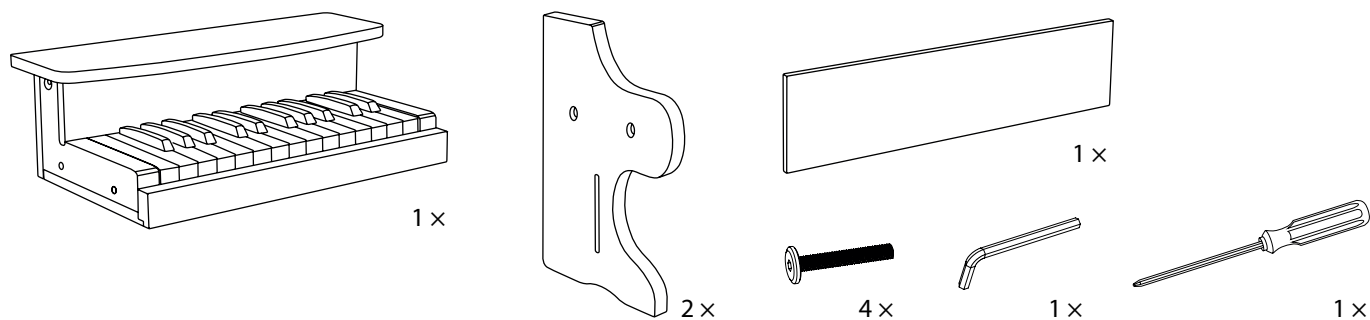


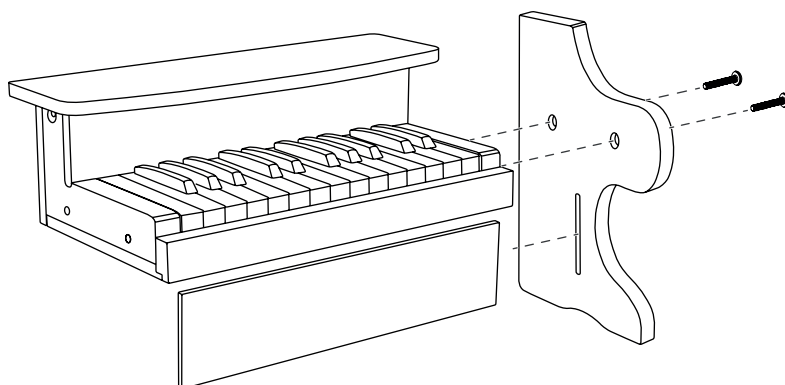
- Mini piano with 25 keys
- Piano sound
- Built-in speaker
- Power supply via 3 × AA batteries (not included)
- Power switch on the bottom of the device
- Colour: Red
- Dimensions (W × H × D): 425 mm × 294 mm × 250 mm
- Weight: 5.8 kg

### Scope of delivery

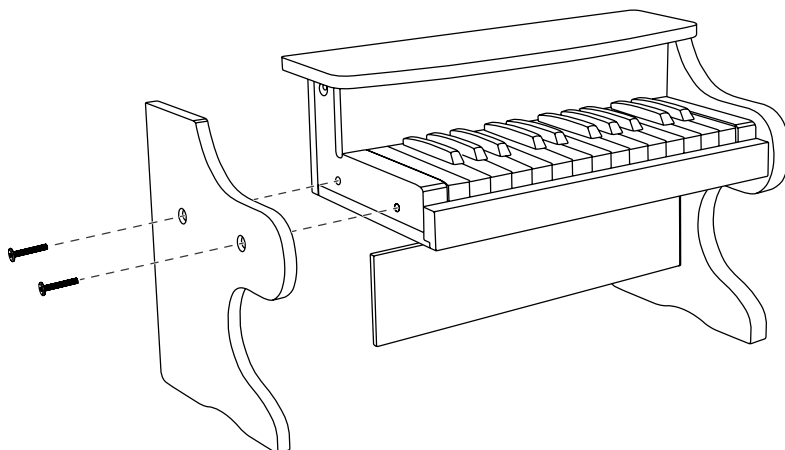


### Assembly

1.



2.



### General information

This document contains important information. Read and follow the instructions. Keep the document for future reference. If you pass the product on to others, please include this document.

Contents are subject to change. Please refer to the latest version of the documentation, which is available for download at [www.thomann.de](http://www.thomann.de).

### Intended use

This device is designed for the electronic generation of sound by means of a keyboard. Any other use or use under other operating conditions is considered to be improper and may result in personal injury or property damage. No liability will be assumed for damage resulting from improper use.

This product may be used only by persons with sufficient physical, sensory, and intellectual abilities and with the relevant knowledge and experience. Other persons may use this device only if they are supervised or instructed by a person who is responsible for their safety.



#### Risk of injury and choking hazard for children!

Children can suffocate on packaging material and small parts. Children can injure themselves when handling the product. Never allow children to play with the packaging material and the product. Always store packaging material out of the reach of babies and small children. Always dispose of packaging material properly when it is not in use. Never allow children to use the product without supervision. Keep small parts away from children and make sure that the product does not shed any small parts that children could play with.



#### Risk of fire due to incorrect polarity!

Incorrectly inserted batteries can cause fires and destroy the device and the batteries. Observe the markings on the batteries and on the device. Ensure that proper polarity is observed when inserting batteries.



#### Possible damage due to leaking batteries!

Batteries can leak and cause permanent damage to the device. Remove the batteries from the device if you are not planning to use it for an extended period of time.



Environmentally friendly materials have been chosen for the packaging. These materials can be sent for normal recycling. Ensure that plastic bags, packaging, etc. are disposed of in the proper manner. Do not dispose of these materials with your normal household waste, but make sure that they are collected for recycling. Please follow the instructions and markings on the packaging.



Batteries must not be thrown away or burnt, but must instead be disposed of in line with the local regulations on the disposal of hazardous waste. Use the available collection sites. Before disposing of your old device, remove the batteries if this is possible without destroying it. Dispose of the batteries or rechargeable batteries at suitable collection points or through your local waste facility.



This product is subject to the European Waste Electrical and Electronic Equipment Directive (WEEE) as amended.

Do not dispose of your old device with your normal household waste; instead, deliver it for controlled disposal by an approved waste disposal firm or through your local waste facility. If in doubt, consult your local waste management facility. You can also return the device to a retailer if they offer to take the device back for free or if they are legally obliged to do so. When disposing of the device, comply with the rules and regulations that apply in your country. You can also return your old device to Thomann GmbH at no charge. Check the current conditions on [www.thomann.de](http://www.thomann.de).

Proper disposal protects the environment as well as the health of your fellow human beings. This is because the proper handling of old devices negates the potential negative effects of hazardous substances, and because it conserves resources by recycling them.

Also note that waste avoidance is a valuable contribution to environmental protection. Repairing a device or passing it on to another user is an ecologically valuable alternative to disposal.

If your old device contains personal data, delete those data before disposing of it.



Observe the disposal note regarding documentation in France.