

Millenium

LED Akku Lamp

Quick Start Guide

This quick start guide contains important information on the safe operation of the product. Read and follow the safety advice and instructions given. Retain the quick start guide for future reference. If you pass the product on to others please include this quick start guide.

Safety instructions

Intended use

This device is intended to illuminate music stands. Any other use or use under other operating conditions is considered to be improper and may result in personal injury or property damage. No liability will be assumed for damages resulting from improper use.

Danger for children



Ensure that plastic bags, packaging, etc. are disposed of properly and are not within reach of babies and young children. Choking hazard! Ensure that children do not detach any small parts from the product. They could swallow the pieces and choke!

Eye damage caused by high light intensity



Never look directly into the light source.

Operating life of the LEDs

Extend the operating life of the device by regular breaks and by avoiding frequent switching on and off. The device is not suitable for continuous operation. For technological reasons, the light output of LEDs decreases over their lifetime. This effect increases with higher operating temperature. You can extend the service life of the illuminants by providing adequate ventilation and operating the LEDs with the lowest possible brightness.

Possible damage to lithium-ion batteries through incorrect storage

By deep discharge, lithium-ion batteries can be permanently damaged or lose some of their capacity. Before long breaks, charge the batteries to around 50 % of their capacity and then switch off the device. Store the device at room temperature or cooler in an environment as dry as possible. If the batteries are stored for a longer period, recharge them to 50 % every three months. Fully charge the batteries only shortly before use at room temperature.

Incorrect handling of lithium batteries can result in injury

- In the event of a short circuit, overheating or mechanical damage, lithium batteries can cause severe injuries.
- When handled correctly and appropriately lithium batteries pose no risk.
- Store lithium batteries in a cool, dry place, ideally in the original packaging.
- Store lithium batteries away from heat sources (e.g. radiators or sunlight). Lithium batteries are hermetically sealed. Never attempt to open a lithium battery.
- If the battery housing is damaged small amounts of the electrolyte may leak out. If this should happen, seal the lithium battery in airtight packaging and wipe up the traces of electrolyte using absorbent paper towels. You must wear protective rubber gloves when doing so. Clean your hands and the affected surface thoroughly with cold water.
- Never attempt to recharge non-rechargeable lithium batteries. When charging lithium batteries you must use a suitable charging device intended for the purpose.
- Only use powder extinguishers or other suitable extinguishing agents to extinguish a burning lithium battery.

Where to use the product

Never use the product

- in conditions of extreme temperature or humidity
- in extremely dusty or dirty areas
- at locations where the unit can become wet

General handling

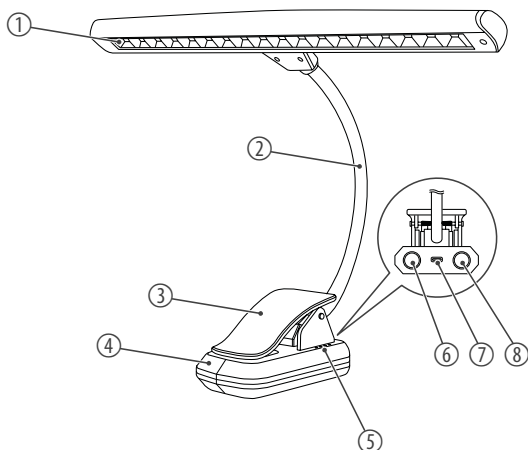
- To prevent damage, never use force when handling the product.
- Never immerse the product in water. Just wipe it with a clean dry cloth. Do not use liquid cleaners such as benzene, thinners or flammable cleaning agents.

Features

- LED clip-on gooseneck music stand lamp
- Light strip with 9 cold-white LEDs and 9 warm-white LEDs
- Integrated, rechargeable high-performance battery
- Battery charging level indicator
- In three steps adjustable colour temperatur
- In two steps adjustable brightness

- Clip for fastening the lamp on the music stand heads or plates and on table plates and shelves (clipping zone: up to 25 mm)
- Bottom case for setting the lamp on even surfaces
- USB-C power adapter and bag included
- Colour: black

Operating elements



- 1 Light strip with 9 cold-white LEDs and 9 warm-white LEDs
- 2 Movable gooseneck
- 3 Clip for fastening the lamp
- 4 Bottom case with integrated battery
- 5 Battery charging level indicator
- 6 Main switch and brightness control
- 7 USB-C socket
- 8 Colour temperature control

Millenium

LED Akku Lamp

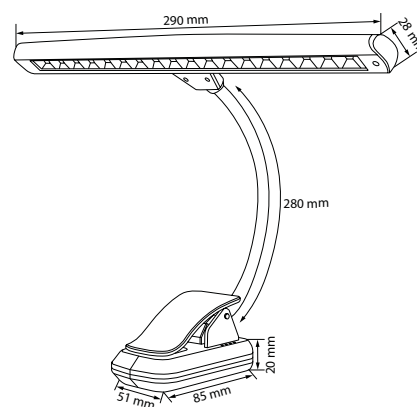
Using the product

1. First, the integrated battery has to be charged. Therefore, connect the device via the USB-C socket ⑦ to the supplied USB-C power adapter. During charging, the battery charging level indicator ⑤ lights up red. When the device is fully charged, the battery charging level indicator ⑤ lights up green.
2. Press the main switch/brightness control ⑥ for switching on the device. The device now lights up with high brightness. To operate the device with low brightness, press again the main switch/brightness control ⑥. Press it again for switching off the device. The switching circle starts again from the beginning when pressing it again.
5. Press the colour temperature control ⑧ repeatedly for selecting between three different colour temperatures.
6. Observe the battery charging level indicator ⑤ for being able to assess the remaining battery capacity. When the indicator turns off, the integrated battery has to be recharged.

Technical specifications

Light source		18 × LED (9 × warm white, 9 × cold white)
Light source properties	Colour temperature	6000 K - 6500 K (cold white)
		3000 K - 3200 K (warm white)
		4000 K - 4500 K (cold white and warm white)
Optical properties	Colour rendering index	CRI 85
	Beam angle	100°
	Light output	180 lm
Input connections	Charging socket	USB-C
Power supply		External power adapter, 100 - 240 V ~ 50/60 Hz
Operating voltage		USB (5 V \Rightarrow)
Battery	Battery type	Lithium-ion
	Voltage	5 V
	Capacity	2000 mAh
	Charging time	3,5 h
	Operating time	8 - 18 h (depending on brightness)
Degree of protection		IP20
Mounting options		Clip
Weight		225 g
Ambient conditions	Temperature range	0 °C - 40 °C
	Relative humidity	20 - 80 % (non-condensing)

Dimensions



For the transport and protective packaging, environmentally friendly materials have been chosen that can be supplied to normal recycling. Ensure that plastic bags, packaging, etc. are properly disposed of. Do not just dispose of these materials with your normal household waste, but make sure that they are collected for recycling. Please follow the notes and markings on the packaging.



This product is subject to the European Waste Electrical and Electronic Equipment Directive (WEEE) in its currently valid version. Do not dispose of your old device with your normal household waste. Dispose of this product through an approved waste disposal firm or through your local waste facility. Comply with the rules and regulations that apply in your country. If in doubt, consult your local waste disposal facility.



Batteries must not be disposed of as domestic waste or thrown into fire. Dispose of batteries according to national or local regulations regarding hazardous waste. Dispose of empty batteries at appropriate collection sites. Dispose lithium batteries only in discharged condition. Remove replaceable lithium batteries from the device before disposal. Protect used lithium batteries from short circuits, for example by covering the poles with adhesive tape. Permanently installed lithium batteries must be disposed of together with the device. Please inquire about a suitable acceptance point.