

# INSTRUCTION FOR USE

---

## VOCAL BOOTH





### **DANGER FOR CHILDREN**

Ensure that plastic bags, packaging, etc. are properly disposed of and are not in the reach of babies and young children.

Choking hazard!

Ensure that children do not detach any small parts (e.g. knobs or the like) from the product. They could swallow the pieces and choke!

Never let children play unattended with the product.

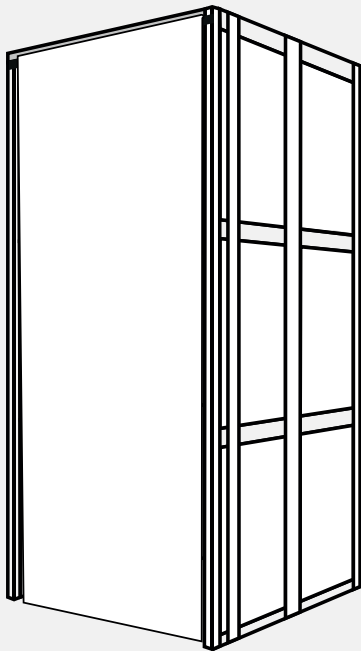


### **RISK OF INJURY TO THE HANDS**

When assembling and screwing the individual parts, pay attention to sharp edges on tools, screws and components.

### **TIP:**

Make sure to get help from another person for assembly of the vocal booth. It is also recommended to have a small step ladder on hand.



## **SCOPE OF DELIVERY**

### **Carton 1**

- ✓ 4 × vertical frame bar S1...S4
- ✓ 1 × angle bar T1
- ✓ 5 × horizontal frame bar P2
- ✓ 3 × horizontal frame bar P1
- ✓ 40 × thumbscrew SC1

### **Carton 2**

- ✓ 4 × vertical frame bar S5...S8
- ✓ 1 × angle bar T2
- ✓ 4 × horizontal frame bar P2
- ✓ 3 × horizontal frame bar P1
- ✓ 1 × horizontal frame bar P3

### **Carton 3**

- ✓ 8 × foam sheet A
- ✓ 1 × foam cover sheet 1
- ✓ 1 × foam cover sheet 2
- ✓ 1 × plexiglass window
- ✓ 1 × foam sheet B
- ✓ 1 × curtain
- ✓ 1 × LED light
- ✓ 10 × sticker (already attached to the bars)



Place all components on a suitable mounting surface for mounting.

Use a soft padding to prevent damages to the surfaces.

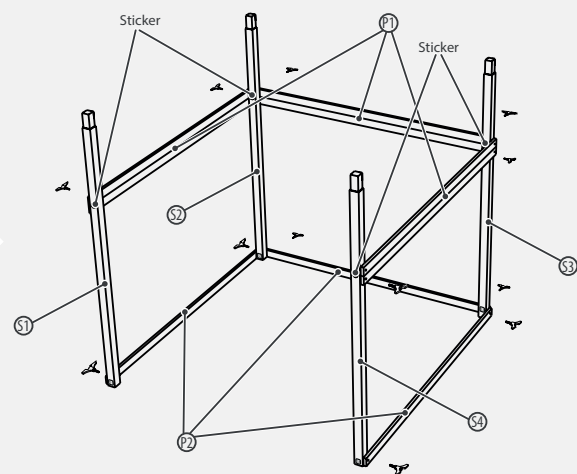
When aligning the poles, pay attention to the positions of the attached stickers.

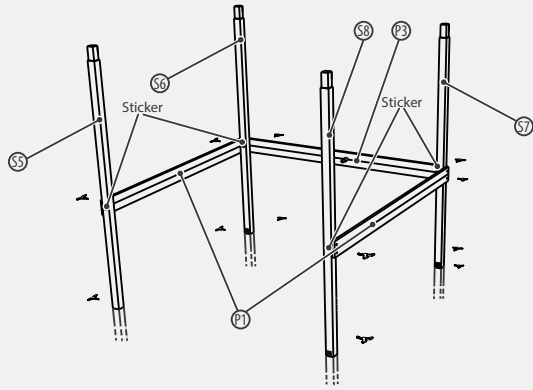
## **FRAME MOUNTING: STEP 1**

Connect S2 and S3 at the top to P1 and lightly tighten the two thumbscrews.

Connect S3 and S4 at the top to a P1 and lightly tighten the two thumbscrews.

Connect S1, S2, S3 and S4 at the bottom to the P2s and lightly tighten each two thumbscrews.





## FRAME MOUNTING: STEP 2

Connect S5 and S6 at the top to a P1 and lightly tighten the two thumbscrews.

Connect S6 and S7 at the top to the P3 and lightly tighten the two thumbscrews.

Connect S7 and S8 at the top to a P1 and lightly tighten the two thumbscrews.

Now plug this part onto the first by plugging S5 on S1, S6 on S2, etc. and fixing these connections by lightly tightening the thumbscrews.

## FRAME MOUNTING: STEP 3

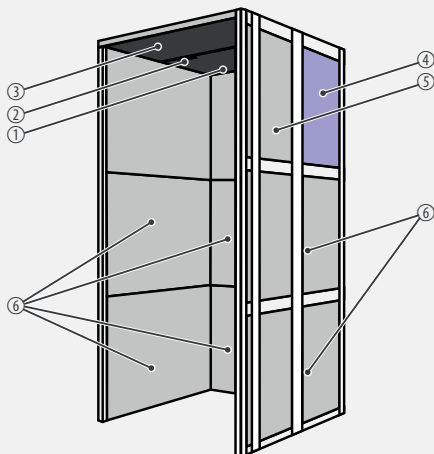
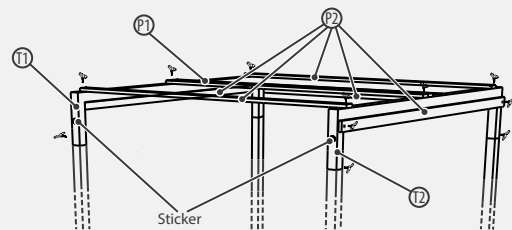
Attach T1 and T2 onto the previously mounted frame as shown.

Connect T1 and T2 to P2 on the sides, rear and top front and back.

Connect T1 and T2 at the top centre to a P1.

Lightly tighten the thumbscrew.

Now align the structure straight and stable, then tighten the thumbscrews.



## ATTACHING FOAM SHEETS AND PLEXIGLASS WINDOW

- |                      |                     |
|----------------------|---------------------|
| ① Foam cover sheet 2 | ④ Plexiglass window |
| ② LED light          | ⑤ Foam sheet B      |
| ③ Foam cover sheet 1 | ⑥ Foam sheets A     |

Push the foam sheets into the frame structure.

Also push the plexiglass window into the frame structure.

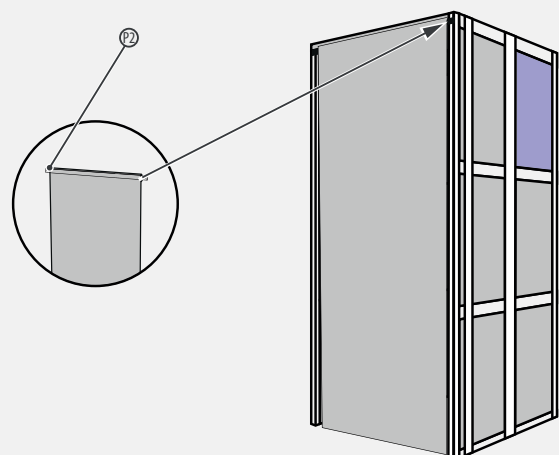
Attach the LED light to the intended position, e.g. with magnets (not included).

## MOUNTING THE CURTAIN

Slide the curtain onto a P2.

Attach the P2 to the curtain using two thumbscrews on the frame structure.

That's it!



## TECHNICAL SPECIFICATIONS

Colour	Black-anthracite
Curtain colour	black
Material	Stainless steel
Dimensions (W × H × D)	Outside: 1000 mm × 2100 mm × 1000 mm Inside: 930 mm × 2070 mm × 930 mm
Weight	In total: approx. 55 kg Carton 1 and 2: each 20 kg Carton 3: 15 kg
Frame bar dimensions (L × W × H)	Frame bars S1...S8: 1000 mm × 30 mm × 30 mm Frame bars P1 and P3: 1000 mm × 60 mm × 30 mm Frame bars P2: 990 mm × 30 mm × 10 mm
Angle bars dimensions (L × W)	Angle bars T1 and T2: 990 mm × 160 mm, profile: 30 mm × 30 mm
Foam sheet dimensions (L × W)	Foam sheets A: 930 mm × 690 mm Foam sheet B: 930 mm × 515 mm Foam cover sheet 1: 930 mm × 495 mm Foam cover sheet 2: 930 mm × 495 mm (with recess for LED light)
Plexiglass window dimension (L × W)	690 mm × 415 mm
LED light dimension (L × W)	200 mm × 30 mm
Curtain dimension (L × W)	2050 mm × 1000 mm



Find more solutions for your room on our website:  
[www.takustik.com](http://www.takustik.com)



Share your installation with us on Instagram:  
[www.takustik.com/instagram](http://www.takustik.com/instagram)



Find more installation guides on YouTube:  
[www.takustik.com/youtube](http://www.takustik.com/youtube)

This product is intended to be used to optimise the room acoustics. Any other use or use under other operating conditions is considered to be improper and may result in personal injury or property damage. No liability will be assumed for damages resulting from improper use.



Ensure that plastic bags, packaging, etc. are disposed of properly and are not within reach of babies and young children. Choking hazard!



For the transport and protective packaging, environmentally friendly materials have been chosen that can be supplied to normal recycling. Ensure that plastic bags, packaging, etc. are properly disposed of. Do not just dispose of these materials with your normal household waste, but make sure that they are collected for recycling. Please follow the notes and markings on the packaging.