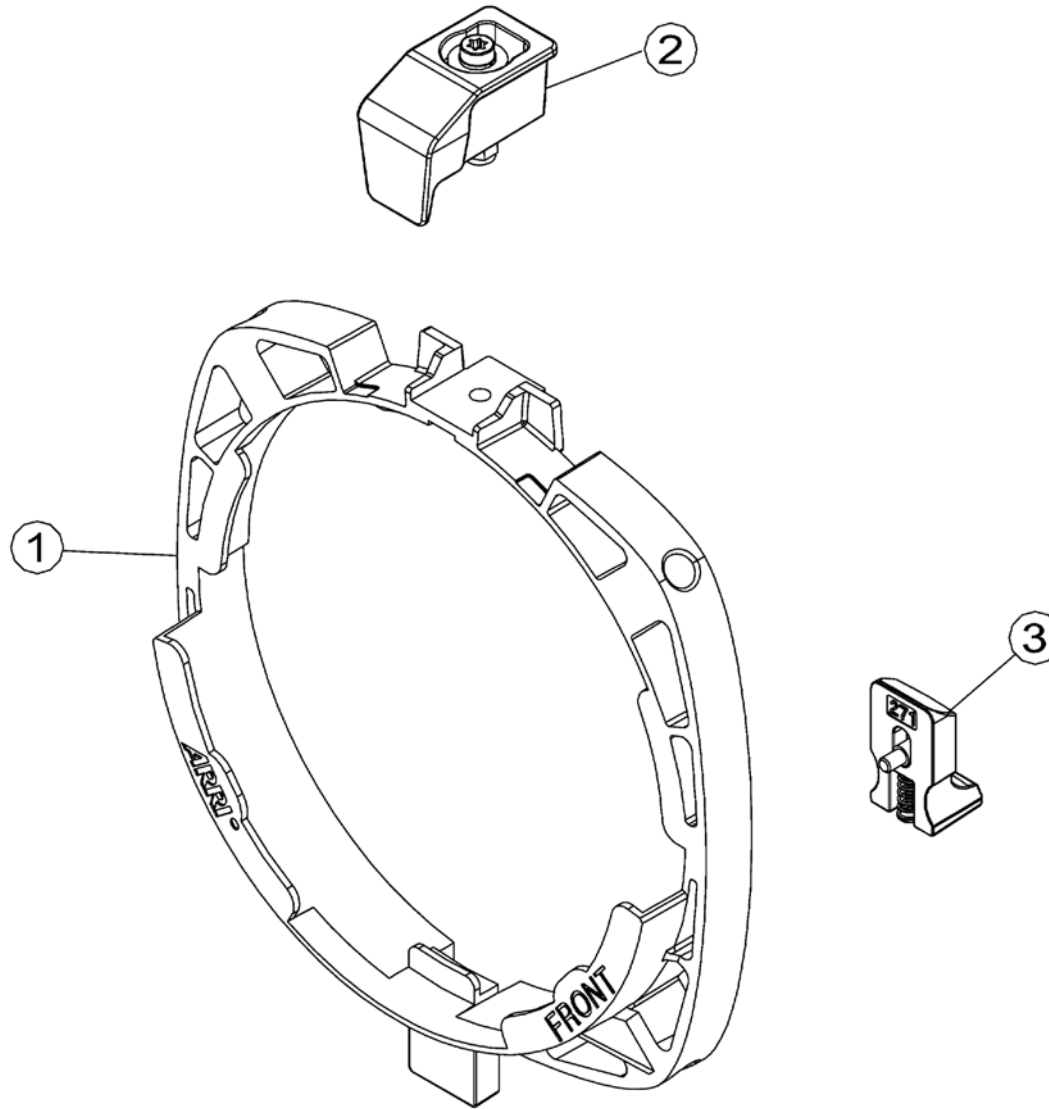


571101 ARRILITE 750W PLUS

1/17/2011

Description
Accessory Holder with Integrated Speed Ring Assembly (See Pages 3-4)
Stirrup Assembly AL750+ (See Pages 5-6)
Reflector Housing Assembly AL750+ (See Pages 7-8)
Lamp Housing Assembly AL750+ (See Pages 9 & 10)
In-Line Switch Assembly AL750+ (See Pages 11 & 12)

Accessory Holder Assembly

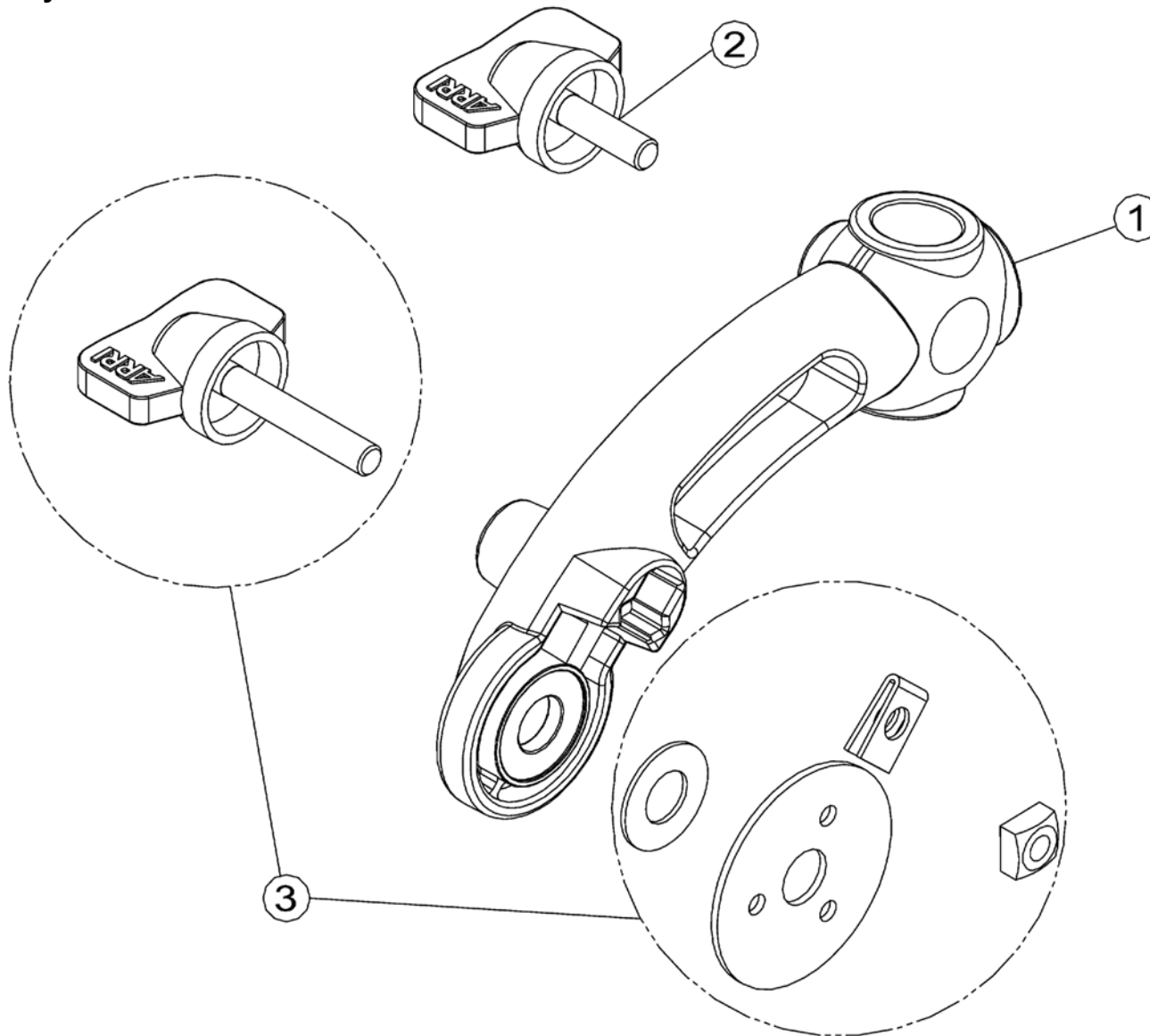


571101 ARRILITE 750W PLUS

1/17/2011

Pos.	Part No.	Description	Qty.	From serial number	To serial number	Drawing number
1	L2.36780.0	Accessory Holder w/Integrated Speed Ring AL750+	1			
2	L4.36763.E	Top Latch AL750+	1			
3	L4.36762.E	Mounting Latch for Accessory Holder AL750+	1			

Stirrup Assembly



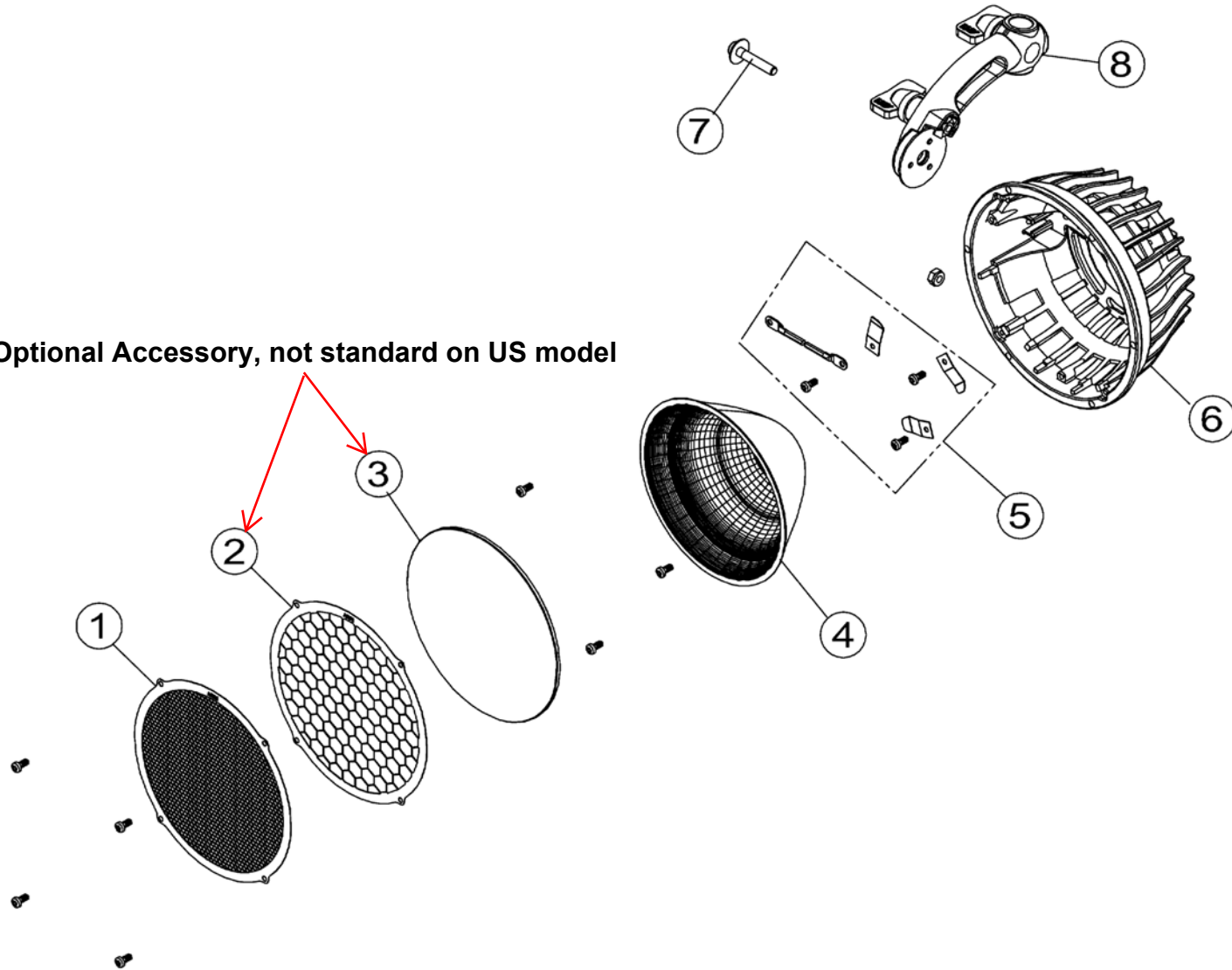
571101 ARRILITE 750W PLUS

1/17/2011

Pos.	Part No.	Description Stirrup Assembly	Qty.	From serial number	To serial number	Drawing number
1	L4.36751.E	Stirrup AL750+	1			
2	L4.77057.E	Knob for Stand Mount (10) AL750+	1			
3	L4.36753.E	Stirrup Mounting Set AL750+	1			

Reflector Housing Assembly

Optional Accessory, not standard on US model

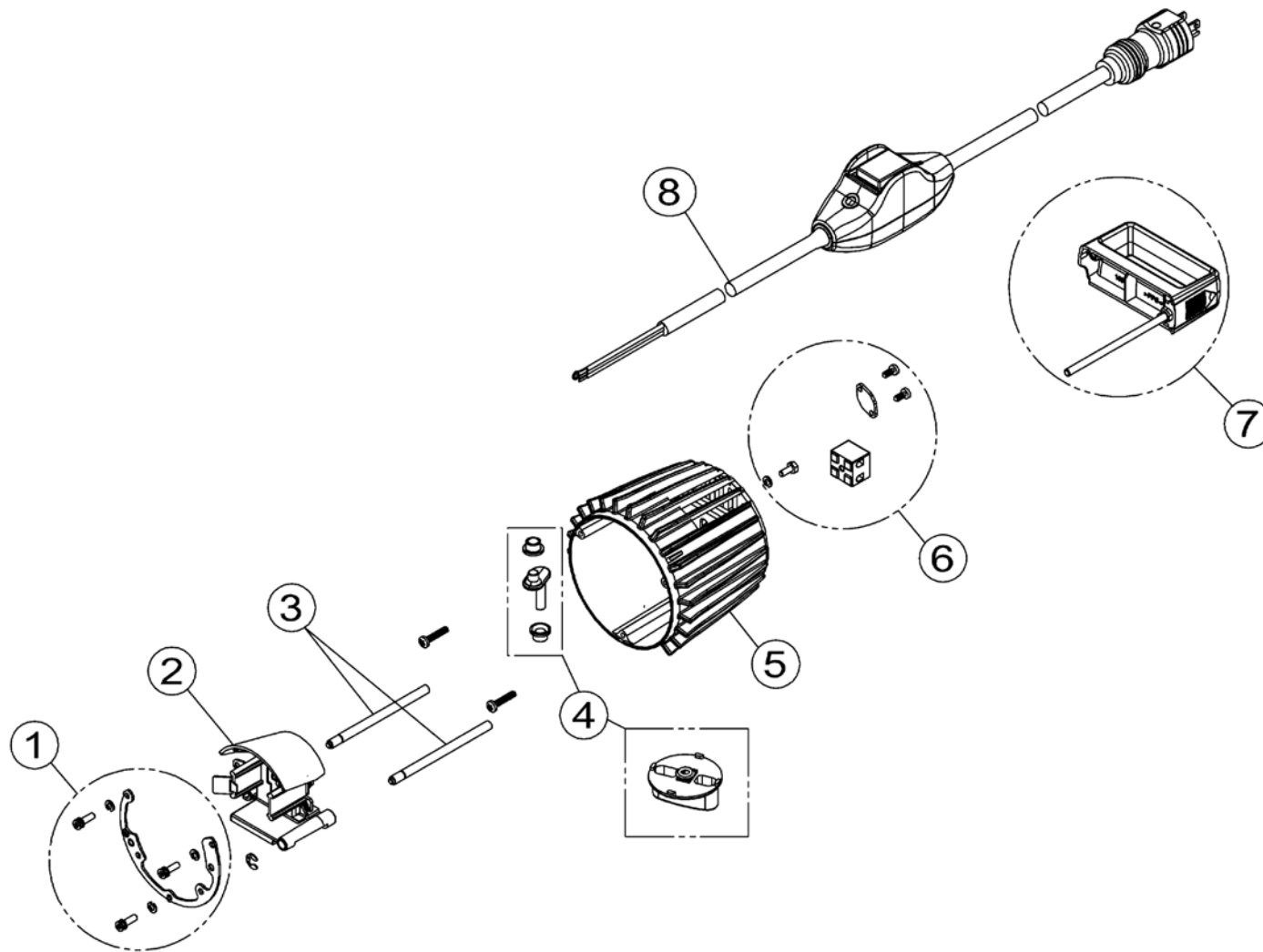


571101 ARRILITE 750W PLUS

1/17/2011

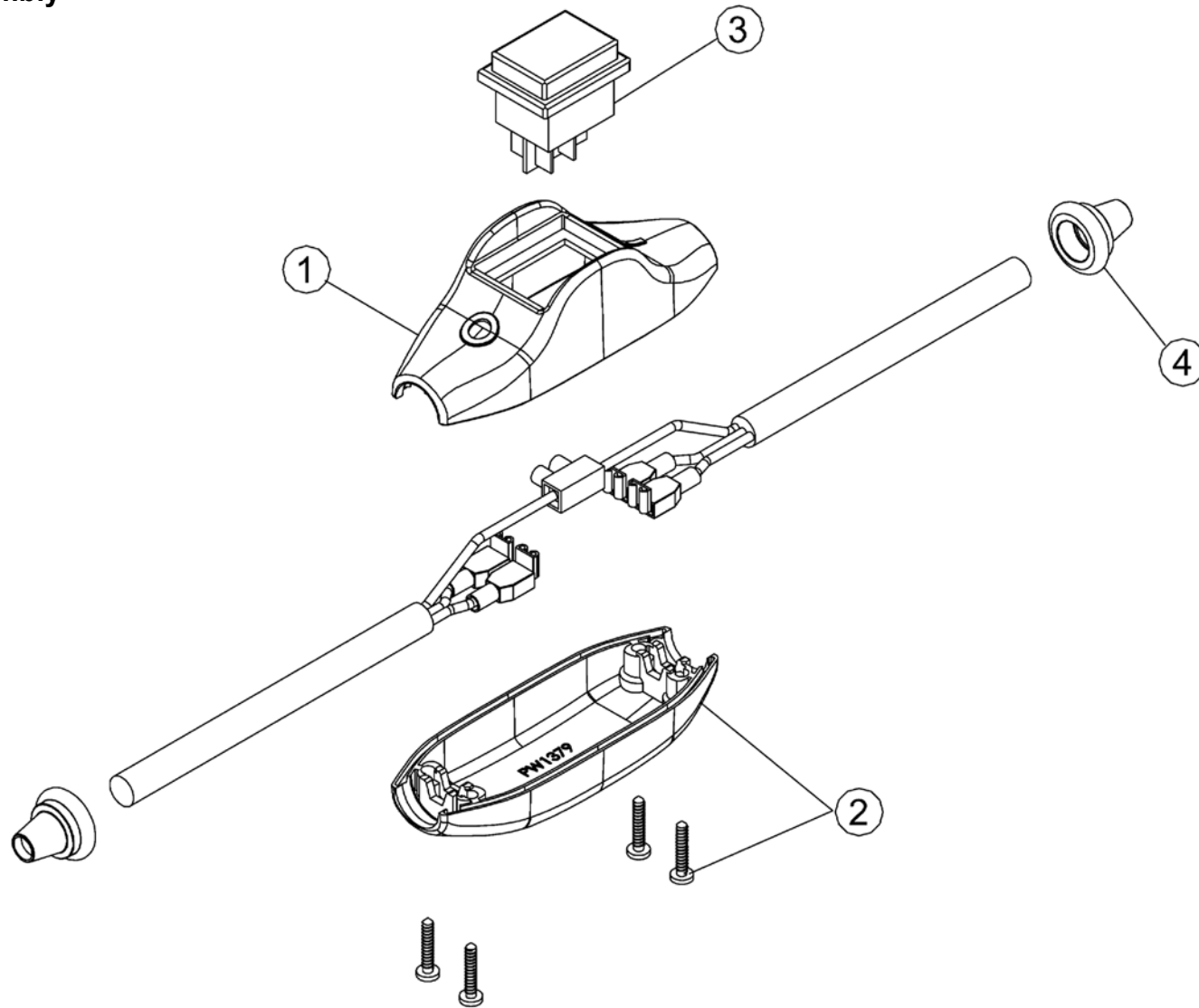
Pos.	Part No.	Description	Qty.	From serial number	To serial number	Drawing number
1	L4.36734.E	Wire Guard 3mm AL750+	1			
2	L4.36733.E	Wire Guard 12mm (use with optional UV Filter) AL750+	1			
3	L4.36736.E	UV Protection Glass (optional) AL750+	1			
4	L4.36732.E	Reflector AL750+	1			
5	L4.36745.E	Grounding Set AL750+	1			
6	L4.36731.E	Reflector Housing AL750+	1			
7	L4.36753.E	Stirrup Mounting Set AL750+	1			
8	L4.36751.E	Stirrup AL750+	1			

Lamp Housing Assembly



Pos.	Part No.	Description	Qty	From Serial Number	To Serial Number
1	L4.36719.E	Retaining Ring Set AL750+			
2	L4.36742.E	Lamp Holder AL750+			
3	L4.36712.E	Guide Rails (2) AL750+			
4	L4.36716.E	Focus Knob Set AL750+			
	L4.40715.E	Focus Knob (1) AL750+			
5	L4.36711.E	Housing Lamp Holder AL750+			
6	L4.36723UE	Terminal Block Set (USA) AL750+			
7	L4.36713.E	Hand Grip Set AL750+			
8	L4.Z37026E	Mains Cable UL 3m complete AL750+			

Switch Assembly



Pos.	Part No.	Description	Switch Assembly	Qty	From Serial Number	To Serial Number
1	L4.39709.E	Switch Housing Top	AL750+			
2	L4.39710.E	Switch Housing Bottom	AL750+			
3	L4.42049.E	On/off Switch	AL750+			
4	L4.39711.E	Strain Relief (Switch)	AL750+			
	L4.77157.E	In-Line Switch Complete	AL750+			