

Millenium

SR-2012, SR-2018, SR-2024, SR-2008
studio rack

Musikhaus Thomann
Thomann GmbH
Hans-Thomann-Straße 1
96138 Burgebrach
Germany
Telephone: +49 (0) 9546 9223-0
E-mail: info@thomann.de
Internet: www.thomann.de

26.11.2019, ID: 129416, 129418, 129419, 351448

Table of contents

1	Safety instructions.....	4
2	Scope of delivery.....	5
3	Installation.....	7
4	Technical specifications.....	12
5	Protecting the environment.....	14

1 Safety instructions

 **DANGER!**

Danger for children

Ensure that plastic bags, packaging, etc. are properly disposed of and are not in the reach of babies and young children. Choking hazard!

Ensure that children do not detach any small parts (e.g. knobs or the like) from the product. They could swallow the pieces and choke!

Never let children play unattended with the product.

 **CAUTION!**

Risk of injury to the hands

When assembling and screwing the individual parts, pay attention to sharp edges on tools, screws and components. Use only suitable tools.

 **CAUTION!**

Risk of injury due to heavy weight

Due to the heavy weight of the product, at least two persons are required for transport and assembly.

2 Scope of delivery



Before you assemble your rack, make sure the contents of package is complete according to the following list.

19-inch studio sack Millenium SR-2012

- 1 × baseplate, steel sheet
- 1 × cover plate, steel sheet
- 2 × side panel, sheet steel with rack rails, guide rail for heavy duty angles and ventilation grilles
- 2 × caster
- 2 × caster with locking system
- 4 × height-adjustable stand
- 8 × Allen screw M6 × 20
- 8 × plastic cap
- 12 × heavy duty angle
- 12 × Allen screw M6 × 15
- 12 × nut for heavy duty angle
- 24 × cage nut M6
- 24 × Phillips screw M6 × 20
- 24 × plastic washer
- 1 × Allen wrench
- 1 × assembly instruction

19-inch studio rack Millenium SR-2018

- 1 × baseplate, steel sheet
- 1 × cover plate, steel sheet
- 2 × side panel, sheet steel with rack rails, guide rail for heavy duty angles and ventilation grilles
- 2 × caster
- 2 × caster with locking system
- 4 × height-adjustable stand
- 8 × Allen screw M6 × 20
- 8 × plastic cap
- 18 × heavy duty angle
- 18 × Allen screw M6 × 15
- 18 × nut for heavy duty angle
- 32 × cage nut M6
- 32 × Phillips screw M6 × 20
- 32 × plastic washer
- 1 × Allen wrench
- 1 × assembly instruction

19-inch studio rack Millenium SR-2024

- 1 × baseplate, steel sheet
- 1 × cover plate, steel sheet
- 2 × side panel, sheet steel with rack rails, guide rail for heavy duty angles and ventilation grilles
- 2 × caster
- 2 × caster with locking system
- 4 × height-adjustable stand
- 8 × Allen screw M6 × 20
- 8 × plastic cap
- 24 × heavy duty angle
- 24 × Allen screw M6 × 15
- 24 × nut for heavy duty angle
- 48 × cage nut M6
- 48 × Phillips screw M6 × 20
- 48 × plastic washer
- 1 × Allen wrench
- 1 × assembly instruction

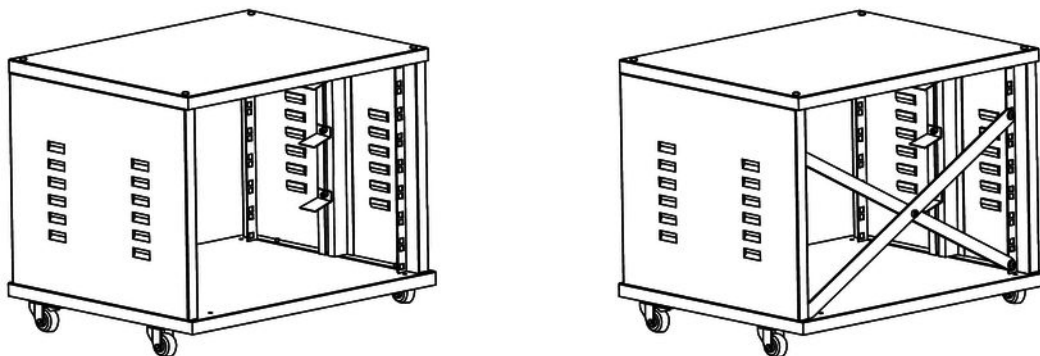
19-inch studio rack Millenium SR-2008

- 1 × baseplate, steel sheet
- 1 × cover plate, steel sheet
- 2 × side panel, sheet steel with rack rails, guide rail for heavy duty angles and ventilation grilles
- 2 × caster
- 2 × caster with locking system
- 4 × height-adjustable stand
- 8 × Allen screw M6 × 20
- 8 × plastic cap
- 6 × heavy duty angle
- 6 × Allen screw M6 × 15
- 6 × nut for heavy duty angle
- 16 × cage nut M6
- 16 × Phillips screw M6 × 20
- 16 × plastic washer
- 1 × two-piece crossbar
- 1 × Allen wrench
- 1 × assembly instruction

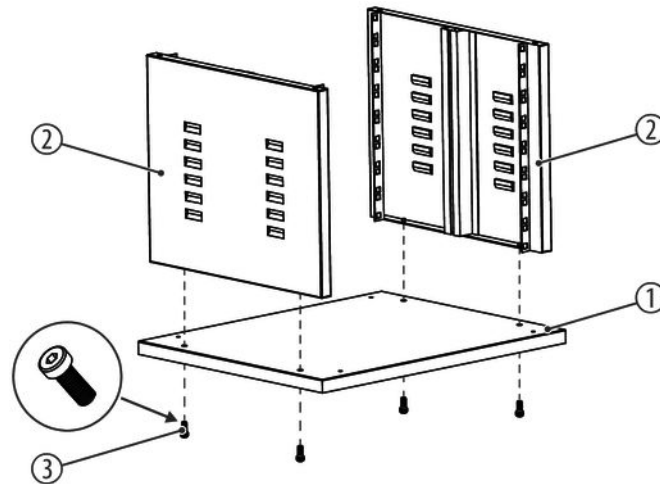
3 Installation

Overview

The following figure provides an overview of the positioning of the individual components. In addition to the Allen key supplied, you will need a suitable Phillips screwdriver and a soft pad for the assembly.

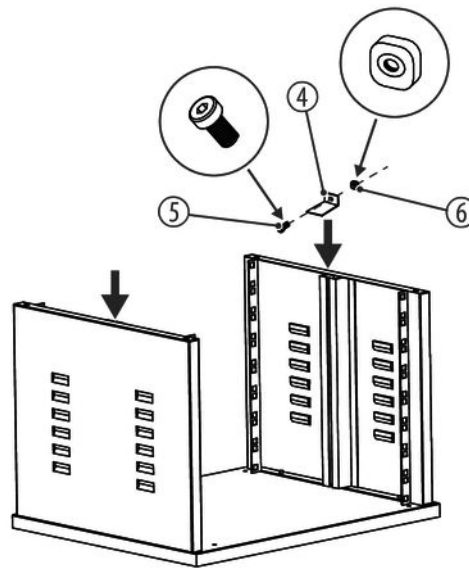


Assembly steps



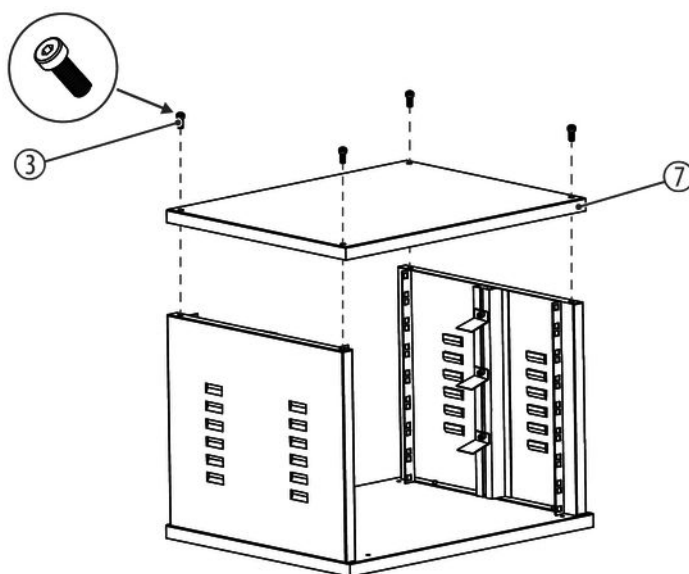
1. Turn the baseplate (1) so that you can screw the two side panels (2) in the baseplate (1) with each two Allen screws M6 × 20 (3) using the Allen key supplied.

Use a soft padding to prevent damage to the mounting or housing surface.

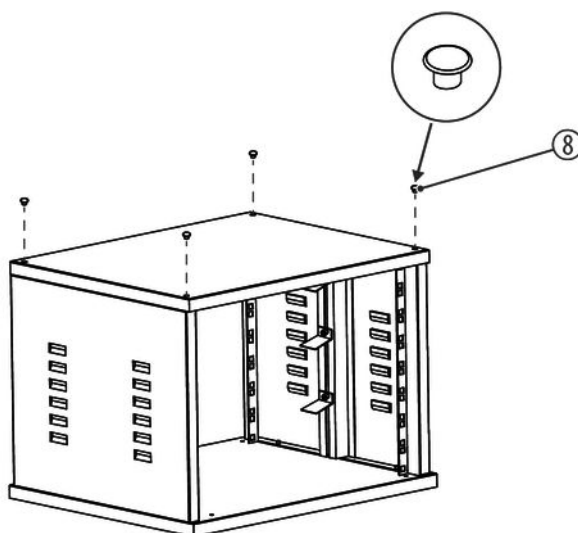


2. Place the assembled unit with the baseplate facing down on a suitable mounting surface. Use a soft padding to prevent damage to the mounting or housing surface.

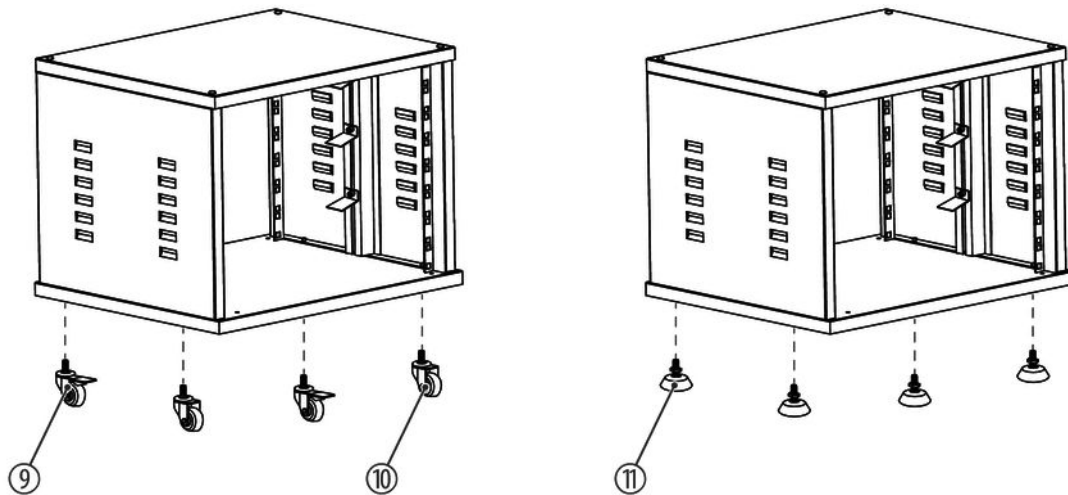
Screw the heavy duty angles (4), the M6 × 15 Allen screws (5) and the heavy duty angle nuts (6) in the guide rails of the side panels using the Allen wrench as shown. Make sure that the heavy duty angle nut (6) is inside the guide rail.



- 3.** Place the cover plate (7) of the housing on the mounted unit and screw the cover plate in place with four Allen screws M6 x 20 (3) in the two side panels using the provided Allen wrench.



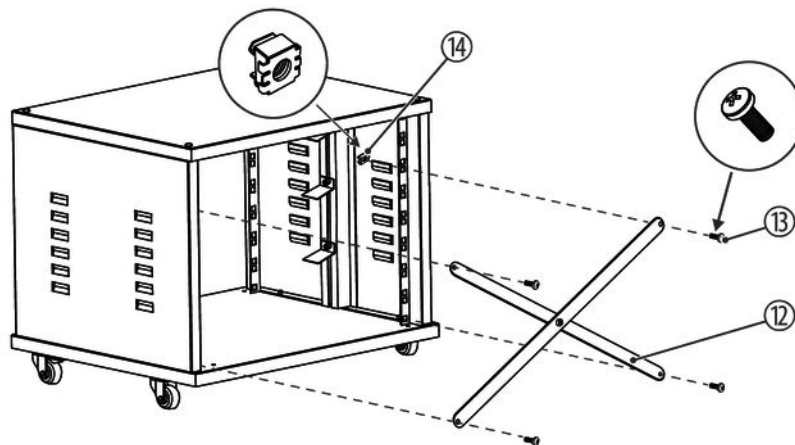
- 4.** Insert the four plastic caps (8) into the recesses on the cover plate.



5. Place the assembled unit with the cover plate facing down on a suitable mounting surface. Use a soft padding to prevent damage to the mounting or housing surface.

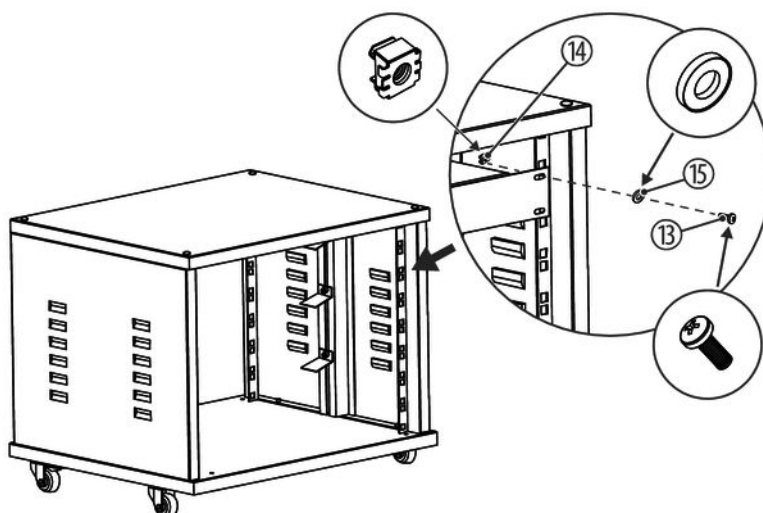
Mount the two casters (10) and the two locking casters (9) or alternatively the four height-adjustable feet (11) to the base plate.

Only valid for item no. 351448 Millenium SR-2008



6. Position the assembled unit with the rollers / height-adjustable feet facing down.

Mount the crossbar (12) with four Phillips screws M6 × 20 (13) and four cage nuts M6 (14) with a Phillips screwdriver in the rack rails of the side panels as shown.



- 7.** To install the equipment into the studio rack, screw it in the rack rails with a Phillips screwdriver using the Phillips screws M6 x 20 (13), M6 cage nuts (14), and plastic washers (15) as illustrated.

4 Technical specifications

19-inch studio rack SR-2012

Construction type	Solid sheet steel construction with rack rails, guide rail for heavy duty angles and ventilation grilles
Item no.	129416
Installation width	19 inch
Rack units (RU)	12
Installation depth	max. 400 mm
Power handling	max. 50 kg
Dimensions (W × H × D)	560 mm × 640 mm × 460 mm
Weight	16.8 kg

19-inch studio rack SR-2018

Construction type	Solid sheet steel construction with rack rails, guide rail for heavy duty angles and ventilation grilles
Item no.	129418
Installation width	19 inch
Rack units (RU)	18
Installation depth	max. 400 mm
Power handling	max. 60 kg
Dimensions (W × H × D)	560 mm × 910 mm × 460 mm
Weight	20.5 kg

19-inch studio rack SR-2024

Construction type	Solid sheet steel construction with rack rails, guide rail for heavy duty angles and ventilation grilles
Item no.	129419
Installation width	19 inch
Rack units (RU)	24
Installation depth	max. 400 mm
Power handling	max. 80 kg
Dimensions (W × H × D)	560 mm × 1200 mm × 460 mm
Weight	31 kg

19-inch studio rack SR-2008

Construction type	Solid sheet steel construction with rack rails, guide rail for heavy duty angles and ventilation grilles
Item no.	351448
Installation width	19 inch
Rack units (RU)	8
Installation depth	max. 400 mm
Power handling	max. 50 kg
Dimensions (W × H × D)	560 mm × 480 mm × 4650 mm
Weight	15.4 kg

5 Protecting the environment

Disposal of the packaging material



For the transport and protective packaging, environmentally friendly materials have been chosen that can be supplied to normal recycling.

Ensure that plastic bags, packaging, etc. are properly disposed of.

Do not just dispose of these materials with your normal household waste, but make sure that they are collected for recycling. Please follow the notes and markings on the packaging.

