

# Setup Guide — VTT001 and VTR001

This card provides quick start instructions for an experienced installer to set up and operate the VTT001 and VTR001.

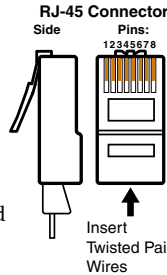
**IMPORTANT:**  
Refer to [www.extron.com](http://www.extron.com) for the user manual and installation instructions before connecting the product to the power supply.

## Step 1 — Powering down

Power off all devices and disconnect them from the power source.

## Step 2 — Connecting to the UTP cable

Connect the RJ-45 connectors of the transmitter and receiver to either end of the UTP cable. Terminate the cables using the same standard as shown to the right.

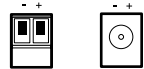


Pin	T568A Wire color	T568B Wire color
1	White-green	White-orange
2	Green	Orange
3	White-orange	White-green
4	Blue	Blue
5	White-blue	White-blue
6	Orange	Green
7	White-brown	White-brown
8	Brown	Brown

**NOTE** If you are using Enhanced Skew-Free™ A/V cable, use the TIA/EIA T568A standard only.

## Step 3 — Connecting input/output devices

Using the 15-pin front panel HD connectors, attach RGBHV/RGBS input to the transmitter and a display output to the receiver (see the example application diagram below).



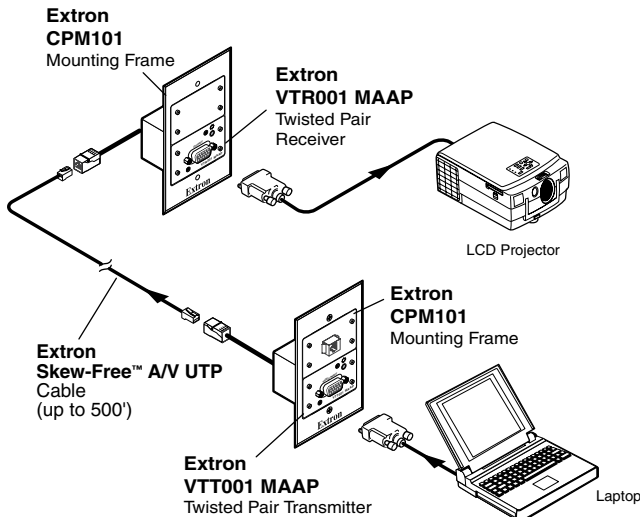
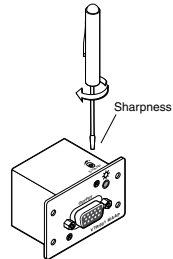
## Step 4 — Connecting the power supply

Connect the external power supply to the power input(s) of the transmitter, or the receiver, or to both, then plug the power supply into the AC power source and power on the transmitter/receiver modules and the input/output devices.

**NOTE** Both transmitter and receiver have remote power capability. For transmission distances up to 300 feet, the power is required at either the transmitter or the receiver. Greater distances require power to be applied locally to both the transmitter and the receiver.

## Step 5 — Adjusting sharpness

For the VTR001 series, set the sharpness control located on top of the receiver. See the illustration on the right. Turning the control clockwise increases sharpness and turning it counterclockwise decreases sharpness.



Extron **USA - West**  
Headquarters  
+800.633.9876  
Inside USA / Canada Only  
+1.714.491.1500  
+1.714.491.1517 FAX

Extron **USA - East**  
+800.633.9876  
Inside USA / Canada Only  
+1.919.863.1794  
+1.919.863.1797 FAX

Extron **Europe**  
+800.3987.6673  
Inside Europe Only  
+31.33.453.4040  
+31.33.453.4050 FAX

Extron **Asia**  
+800.7339.8766  
Inside Asia Only  
+65.6383.4400  
+65.6383.4664 FAX

Extron **Japan**  
+81.3.3511.7655  
+81.3.3511.7656 FAX

Extron **China**  
+400.883.1568  
Inside China Only  
+86.21.3760.1566  
+86.21.3760.1566 FAX

Extron **Middle East**  
+971.4.2991800  
+971.4.2991880 FAX