

# ***Millenium***

SR-2008  
studio rack

Musikhaus Thomann  
Thomann GmbH  
Hans-Thomann-Straße 1  
96138 Burgebrach  
Germany  
Telephone: +49 (0) 9546 9223-0  
E-mail: [info@thomann.de](mailto:info@thomann.de)  
Internet: [www.thomann.de](http://www.thomann.de)

16.12.2020, ID: 351448

## Table of contents

1	Safety instructions.....	4
2	Scope of delivery.....	5
3	Installation.....	6
4	Technical specifications.....	11
5	Protecting the environment.....	12

## 1 Safety instructions

 **DANGER!**

**Danger for children**

Ensure that plastic bags, packaging, etc. are properly disposed of and are not in the reach of babies and young children. Choking hazard!

Ensure that children do not detach any small parts (e.g. knobs or the like) from the product. They could swallow the pieces and choke!

Never let children play unattended with the product.

 **CAUTION!**

**Risk of injury to the hands**

When assembling and screwing the individual parts, pay attention to sharp edges on tools, screws and components. Use only suitable tools.

 **CAUTION!**

**Risk of injury due to heavy weight**

Due to the heavy weight of the product, at least two persons are required for transport and assembly.

## 2 Scope of delivery



Before you assemble your rack, make sure the contents of package is complete according to the following list.

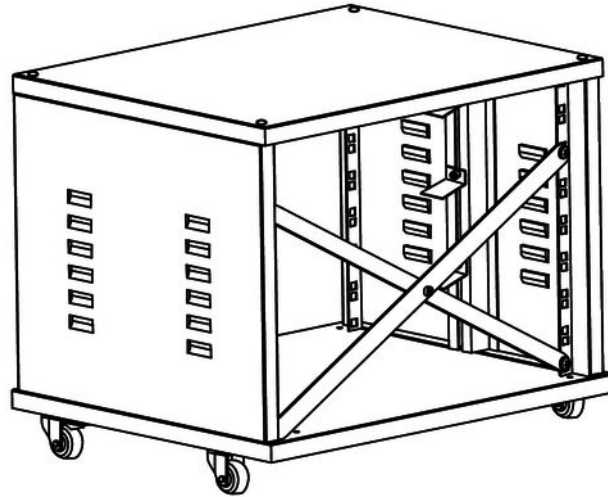
### 19-inch studio rack Millenium SR-2008

- 1 × baseplate, steel sheet
- 1 × cover plate, steel sheet
- 2 × side panel, sheet steel with rack rails, guide rail for heavy load brackets and fan grid
- 2 × furniture wheel
- 2 × furniture wheel with locking mechanism
- 8 × Allen screw M6 × 20
- 4 × plastic cap
- 6 × heavy load bracket
- 6 × Allen screw M6 × 15
- 6 × nut for heavy load bracket
- 16 × cage nut M6
- 16 × Phillips screw M6 × 20
- 1 × two-piece crossbar
- 1 × Allen wrench
- 1 × assembly instruction

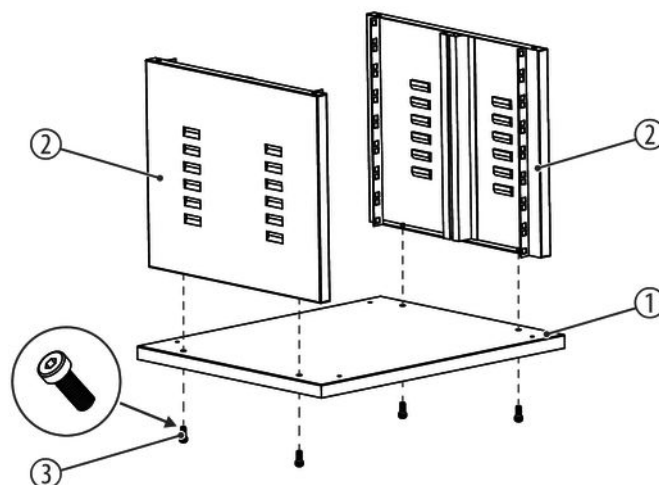
### 3 Installation

#### Overview

The following figure provides an overview of the positioning of the individual components. In addition to the Allen key supplied, you will need a suitable Phillips screwdriver and a soft pad for the assembly.

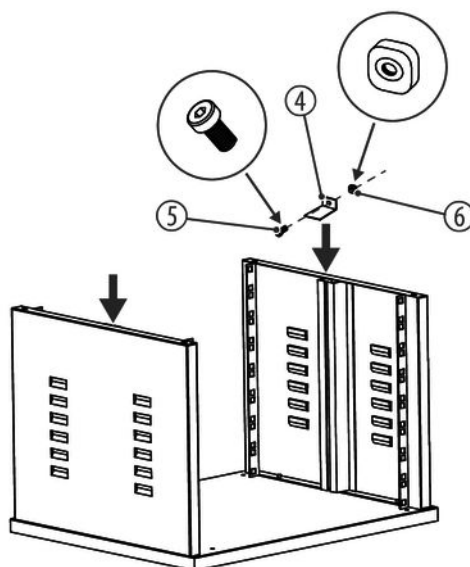


## Assembly steps



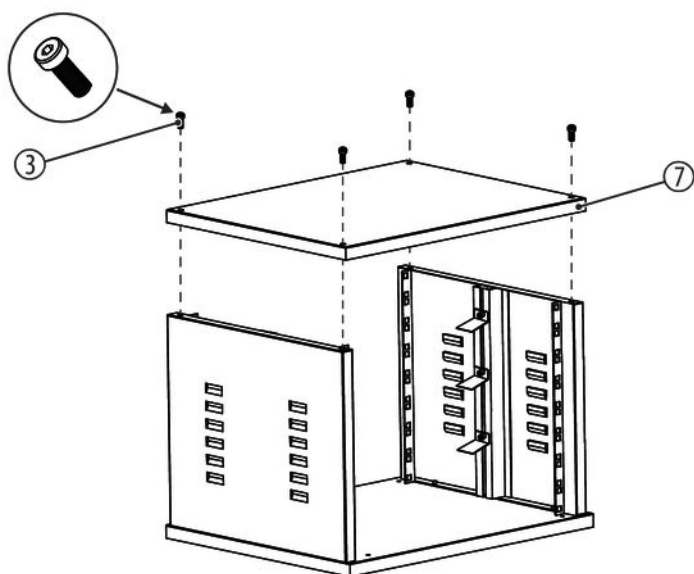
- 1.** Turn the baseplate (1) so that you can screw the two side panels (2) in the baseplate (1) with each two Allen screws M6 × 20 (3) using the Allen key supplied.

Use a soft padding to prevent damage to the mounting or housing surface.

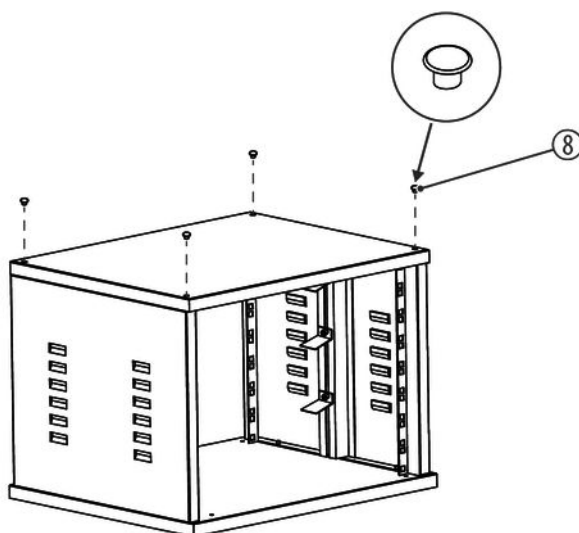


- 2.** Place the assembled unit with the baseplate facing down on a suitable mounting surface. Use a soft padding to prevent damage to the mounting or housing surface.

Screw the heavy load brackets (4), the M6 × 15 Allen screws (5) and the heavy load bracket nuts (6) in the guide rails of the side panels using the Allen wrench as shown. Make sure that the heavy load bracket nut (6) is inside the guide rail.

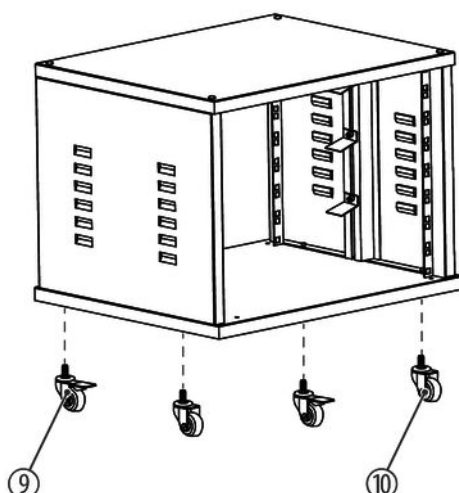


- 3.** Place the cover plate (7) of the housing on the mounted unit and screw the cover plate in place with four Allen screws M6 x 20 (3) in the two side panels using the provided Allen wrench.



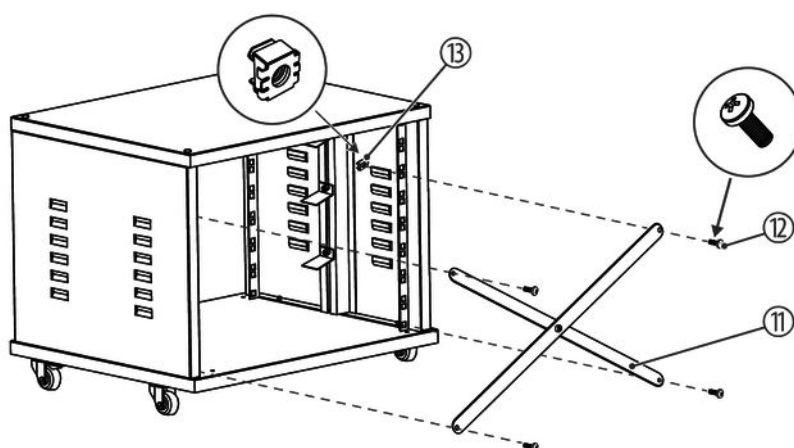
- 4.** Insert the four plastic caps (8) into the recesses on the cover plate.





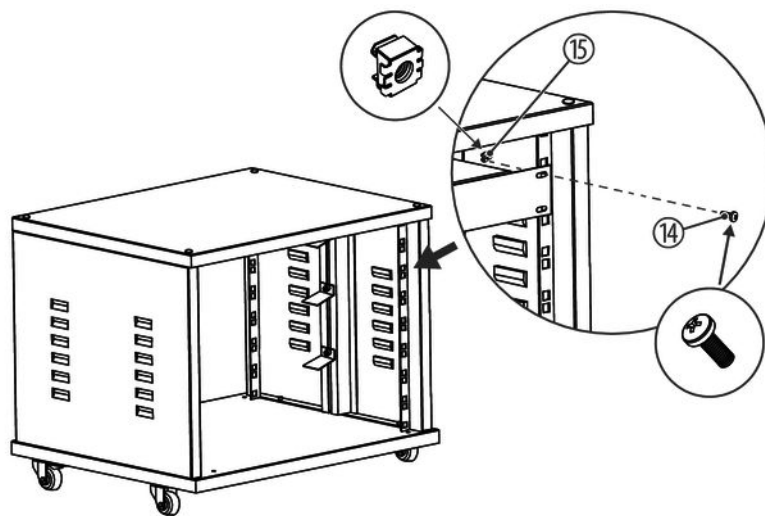
- 5.** Place the assembled unit with the cover plate facing down on a suitable mounting surface. Use a soft padding to prevent damage to the mounting or housing surface.

Mount the two wheels (10) and the two locking wheels (9) to the base plate.



- 6.** Position the assembled unit with the wheels facing down.

Mount the crossbar (11) with four Phillips screws M6 × 20 (12) and four cage nuts M6 (13) with a Phillips screwdriver in the rack rails of the side panels as shown.



- 7.** → To install the equipment into the studio rack, screw it in the rack rails with a Phillips screwdriver using the Phillips screws M6 × 20 (14) and cage nuts M6 (15) as illustrated.

## 4 Technical specifications

Construction type	Solid sheet steel construction with rack rails, guide rail for heavy load brackets and fan grid
Item no.	351448
Installation width	19 inch
Rack units (RU)	8
Installation depth	max. 400 mm
Power handling	max. 50 kg
Dimensions (W × H × D)	560 mm × 480 mm × 4650 mm
Weight	15.4 kg

## 5 Protecting the environment

### Disposal of the packaging material



For the transport and protective packaging, environmentally friendly materials have been chosen that can be supplied to normal recycling.

Ensure that plastic bags, packaging, etc. are properly disposed of.

Do not just dispose of these materials with your normal household waste, but make sure that they are collected for recycling. Please follow the notes and markings on the packaging.







