



Tour Stage

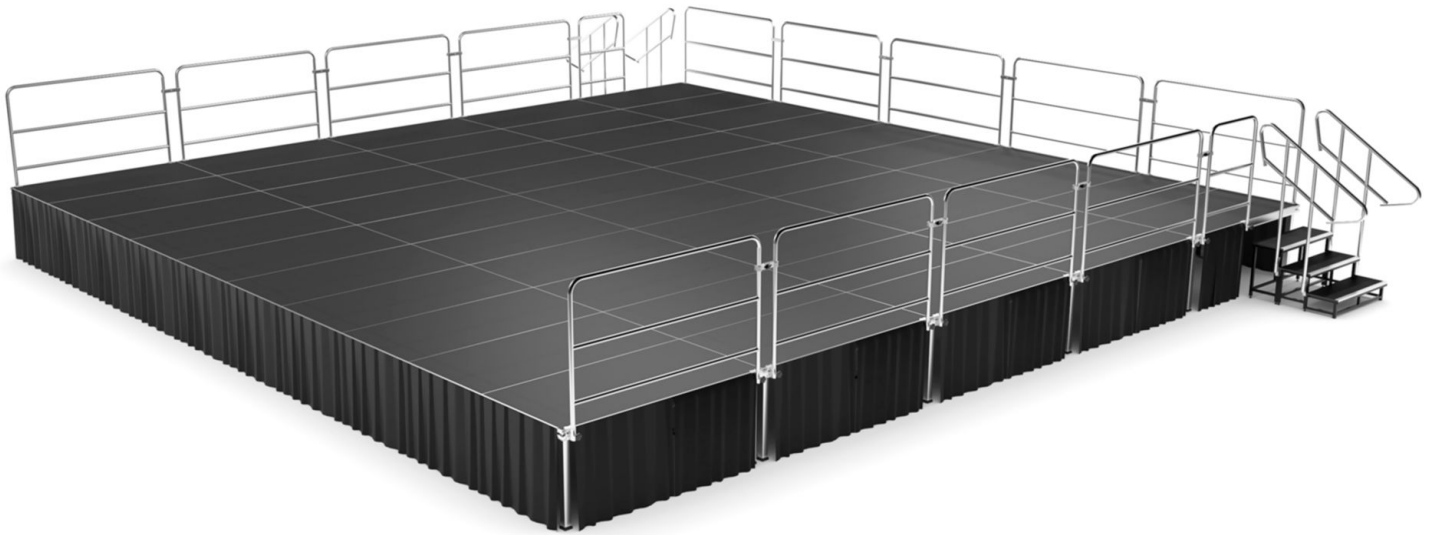
Stage platform

Thomann GmbH
Hans-Thomann-Straße 1
96138 Burgebrach
Germany
Telephone: +49 (0) 9546 9223-0
Internet: www.thomann.de

25.07.2024, ID: 464994 etc. (V2)

Table of contents

1	General information	5
1.1	Symbols and signal words.....	5
2	Safety instructions	6
3	Features	7
4	Installation	8
4.1	Setting up stage platforms.....	8
4.2	Securing the stage platforms and plug-in feet.....	11
4.3	Attaching the railings.....	13
4.4	Attaching the stairs.....	15
5	Protecting the environment	17




1 General information

This document contains important instructions for the safe operation of the product. Read and follow the safety instructions and all other instructions. Keep the document for future reference. Make sure that it is available to all those using the product. If you sell the product to another user, be sure that they also receive this document.

Our products and documentation are subject to a process of continuous development. They are therefore subject to change. Please refer to the latest version of the documentation, which is ready for download under www.thomann.de.

1.1 Symbols and signal words

In this section you will find an overview of the meaning of symbols and signal words that are used in this document.

Signal word	Meaning
DANGER!	This combination of symbol and signal word indicates an immediate dangerous situation that will result in death or serious injury if it is not avoided.
CAUTION!	This combination of symbol and signal word indicates a possible dangerous situation that can result in minor injury if it is not avoided.
Warning signs	Type of danger
	Warning – danger zone.

2 Safety instructions

Intended use

This stage platform system is used for modular and flexible construction of stages in different compilations. Use the product only as described in this user manual. Any other use or use under other operating conditions is considered to be improper and may result in personal injury or property damage. No liability will be assumed for damages resulting from improper use.

This device may be used only by persons with sufficient physical, sensorial, and intellectual abilities and having corresponding knowledge and experience. Other persons may use this device only if they are supervised or instructed by a person who is responsible for their safety.

Safety

 **DANGER!**

Risk of injury and choking hazard for children!

Children can suffocate on packaging material and small parts. Children can injure themselves when handling the product. Never allow children to play with the packaging material and the product. Always store packaging material out of the reach of babies and small children. Always dispose of packaging material properly when it is not in use. Never allow children to use the product without supervision. Keep small parts away from children and make sure that the product does not shed any small parts that children could play with.

 **CAUTION!**

Risk of injury in case of overloaded stage platforms!

When the maximum load capacity of stage platforms is exceeded, platforms can break and cause personal injury and property damage. Observe the maximum load capacity and ensure that this is not exceeded at any time while the stage is in use.

 **CAUTION!**

Risk of injury due to tipping of stage platforms on an unsuitable ground!

If a stage platform is installed on soft or uneven ground, the platform may tip over and cause personal injuries and property damage. Install stage platforms only on even and solid ground.

 **CAUTION!**

Risk of injury due to the heavy weight of the product

The product is heavy. Lifting and dropping it during transport and installation can cause injuries. Make sure at least two people work together when transporting and installing the product.

 **CAUTION!**

Risk of cuts to the hands from sharp edges during assembly!

Tools, screws and components can have sharp edges that can cause cuts during assembly. Pay attention to sharp edges when assembling and screwing the individual parts. Wear protective gloves if necessary.

3 Features

The stage platform system can be assembled from the following components:

- Stage platform (different sizes and shapes) for indoor and outdoor use
- Plug-in feet (different sizes and versions)
- Railings (different sizes and versions to match the stage platforms and stairs)
- Modular or variable stairs
- Mounting elements and connectors

4 Installation

4.1 Setting up stage platforms

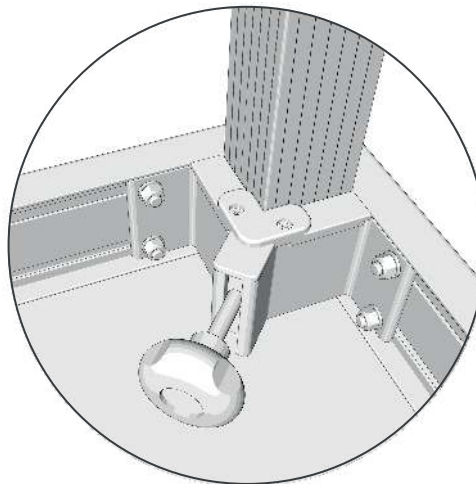
i **Comply with regulations**

Make sure that the standards and regulations that apply in your country are always observed during installation and operation. In Germany: DGUV 17, DGUV 18, DGUV Regel 115-002 'Veranstaltungs- und Produktionsstätten für szenische Darstellung' (Staging and Production Facilities for the Entertainment Industry).

Setting up stage platforms



1. ➤ Insert the plug-in feet into the designated recess on the bottom of the stage platform.



2. ➤ Attach the plug-in feet to the stage platform with the hand screws.



If the device with plug-in feet is more than 100 cm high, connecting struts must be mounted diagonally for additional safety!

The following tables show the different sizes, shapes and versions of the stage platforms and plug-in feet that can be combined with each other:

Stage platforms

Item no.	Name	Dimensions (W × H × D)	Weight	Max. load
464994	Stairville Tour Stage Circular 1x1 m CPTW	1,000 mm × 1,000 mm × 90 mm	15 kg	750 kg/m ²
464993	Stairville Tour Stage Circular 1x1 m ODW	1,000 mm × 1,000 mm × 90 mm	15 kg	750 kg/m ²
519650	Stairville Tour Stage Platf. 1.5x0.5 m ODW	1,500 mm × 500 mm × 90 mm	16 kg	750 kg/m ²
462002	Stairville Tour Stage Platform 1.5x1 m ODW	1,500 mm × 1,000 mm × 90 mm	27 kg	750 kg/m ²
448745	Stairville Tour Stage Platform 1x0.5 CPTW	1,000 mm × 500 mm × 90 mm	12 kg	750 kg/m ²
448742	Stairville Tour Stage Platform 1x0.5 m ODW	1,000 mm × 500 mm × 90 mm	12 kg	750 kg/m ²
399941	Stairville Tour Stage Platform 1x1 m CPTW	1,000 mm × 1,000 mm × 90 mm	17.7 kg	750 kg/m ²
295854	Stairville Tour Stage Platform 1x1 m ODW	1,000 mm × 1,000 mm × 90 mm	17.7 kg	750 kg/m ²
448744	Stairville Tour Stage Platform 2x0.5 CPTW	2,000 mm × 500 mm × 90 mm	19 kg	750 kg/m ²
448737	Stairville Tour Stage Platform 2x0.5 m ODW	2,000 mm × 500 mm × 90 mm	19 kg	750 kg/m ²
399932	Stairville Tour Stage Platform 2x1 m CPTW	2,000 mm × 1,000 mm × 90 mm	33 kg	750 kg/m ²
295737	Stairville Tour Stage Platform 2x1 m ODW	2,000 mm × 1,000 mm × 90 mm	33 kg	750 kg/m ²
464989	Stairville Tour Stage Triangle 1x1 m CPTW	1,000 mm × 1,000 mm × 90 mm	11.5 kg	750 kg/m ²
443327	Stairville Tour Stage Triangle 1x1 m ODW	1,000 mm × 1,000 mm × 90 mm	11.5 kg	750 kg/m ²
464991	Stairville Tour Stage Triangle 2x1 L CPTW	2,000 mm × 1,000 mm × 90 mm	26.5 kg	750 kg/m ²
464992	Stairville Tour Stage Triangle 2x1 R CPTW	2,000 mm × 1,000 mm × 90 mm	26.5 kg	750 kg/m ²
443325	Stairville Tour Stage Triangle 2x1 m L ODW	2,000 mm × 1,000 mm × 90 mm	26.5 kg	750 kg/m ²
443326	Stairville Tour Stage Triangle 2x1 m R ODW	2,000 mm × 1,000 mm × 90 mm	26.5 kg	750 kg/m ²



The load capacity of 750 kg/m² refers to standard format stage platforms with the dimensions 1,000 mm × 1,000 mm × 90 mm and 2,000 mm × 1,000 mm × 90 mm. Special formats must be used as decorative elements and installed and carried in relation with the standard formats.

All standard formats with the dimensions 1,000 mm × 1,000 mm × 90 mm and 2,000 mm × 1,000 mm × 90 mm have a TÜV certificate.

Plug-in feet

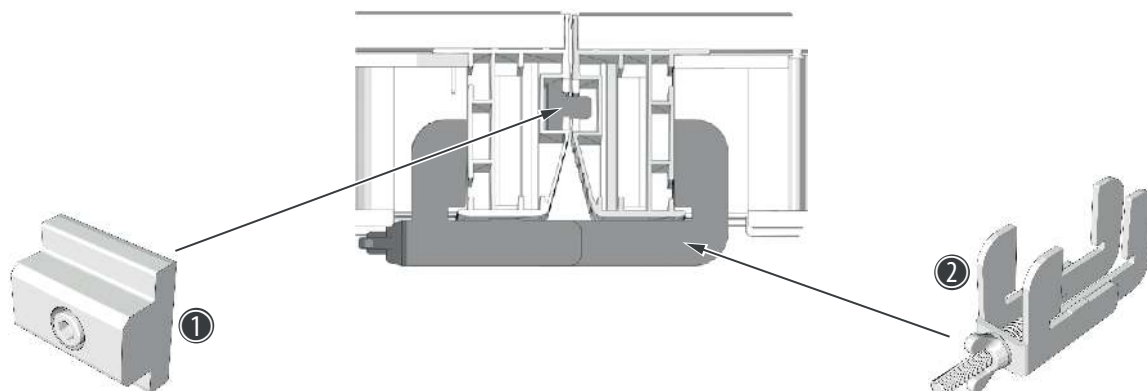
Item no.	Name	Dimensions (W × H × D)	Wall thickness
452010	Stairville Tour Stage Leg Set of 4x 20 cm	60 mm × 200 mm × 60 mm	2.5 mm
458589	Stairville Tour Stage Leg Set of 4x 30 cm	60 mm × 300 mm × 60 mm	2.5 mm
452011	Stairville Tour Stage Leg Set of 4x 40 cm	60 mm × 400 mm × 60 mm	2.5 mm
458591	Stairville Tour Stage Leg Set of 4x 50 cm	60 mm × 500 mm × 60 mm	2.5 mm
452012	Stairville Tour Stage Leg Set of 4x 60 cm	60 mm × 600 mm × 60 mm	2.5 mm
452013	Stairville Tour Stage Leg Set of 4x 80 cm	60 mm × 800 mm × 60 mm	2.5 mm
452009	Stairville Tour Stage Leg Set of 4x 100 cm	60 mm × 1,000 mm × 60 mm	2.5 mm
368986	Stairville Tour Stage Leg Wheel 30 cm	60 mm × 300 mm × 60 mm	2.5 mm
368984	Stairville Tour Stage Leg Wheel 40 cm	60 mm × 400 mm × 60 mm	2.5 mm
452331	Stairville Tour Stage Tele Leg 4x 40-60 cm	60 mm × 400 - 600 mm × 60 mm	2.5 mm
452332	Stairville Tour Stage Tele Leg 4x 60-100	60 mm × 600 - 1,000 mm × 60 mm	2.5 mm
452333	Stairville Tour Stage Tele Leg 4x 80-140	60 mm × 800 - 1,400 mm × 60 mm	2.5 mm

Accessories for plug-in feet

Item no.	Name	Dimensions (W × H × D)	Weight
439958	Stairville Tour Stage Rollriser Wheel 1	110 mm × 205 mm × 110 mm	2.0 kg
439965	Stairville Tour Stage Rollriser Wheel 2	275 mm × 205 mm × 110 mm	2.7 kg

4.2 Securing the stage platforms and plug-in feet

If you are setting up several stage platforms, connect them to each other with the provided connectors and clamps as illustrated.



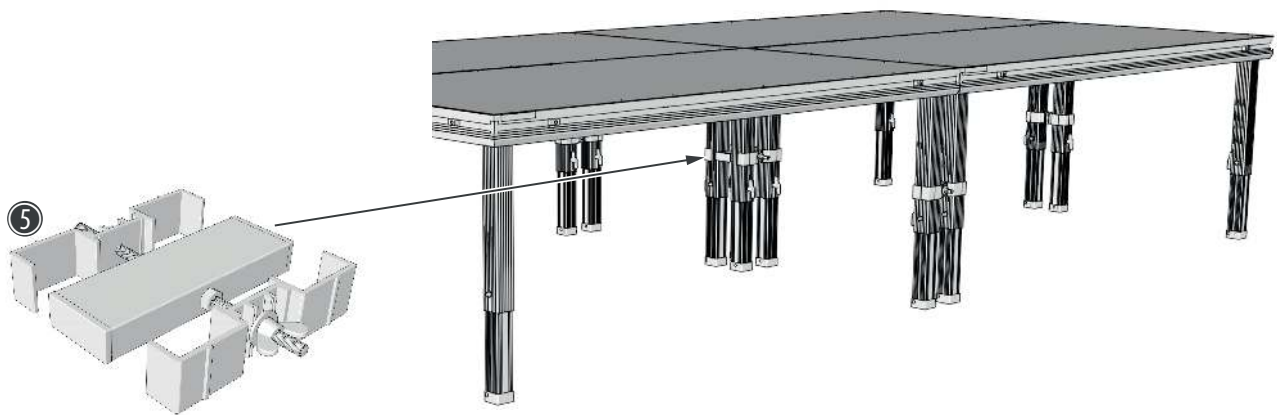
1. Insert the wedges (1) into the guide rails on the insides of the stage platforms to be connected and secure the stage platforms to the bottom of the guide rails with the frame connectors (2).



2. Insert the quick connectors (3) into the profile of the guide rails on the outsides of the stage platforms to be connected and tighten the screws of the quick connectors using an Allen key.



3. Secure two neighbouring plug-in feet with a 2-way plug-in foot connector (4) and tighten the wing screws.

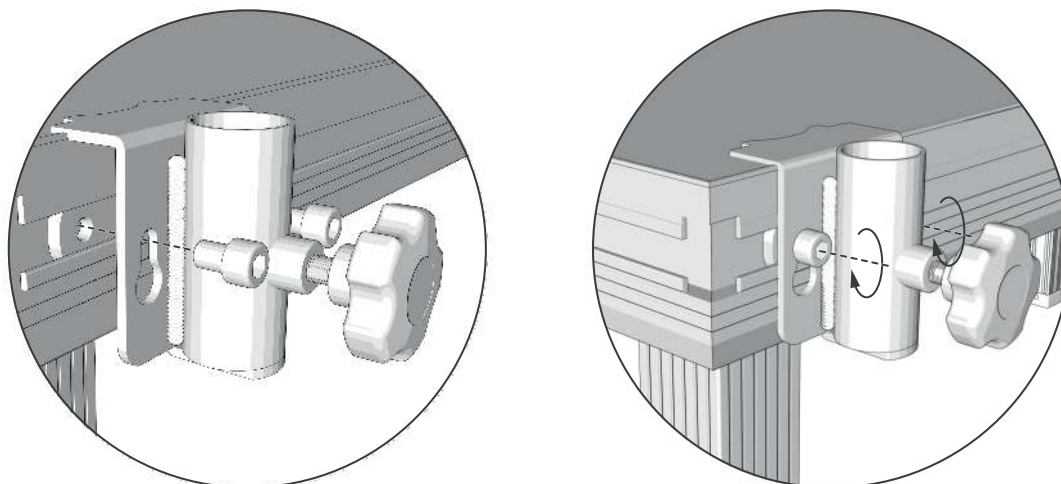


4. Secure four neighbouring plug-in feet with a 4-way plug-in foot connector (5) and tighten the wing screws.

The following table shows the different connectors and clamps that are required for assembling the stage platforms:

No.	Item no.	Name
1	520324	Stairville Tour Stage Self Leveling 4 pcs.
2	296471	Stairville Tour Stage Assembly Clamp
	571345	Stairville Tour Stage Assembly Clamp 10x
	571344	Stairville Tour Stage Assembly Clamp 20x
	571346	Stairville Tour Stage Assembly Clamp 4x
3	296477	Stairville Tour/iX Stage Clamp Connector
	480148	Stairville Tour/iX Stage Clamp Conn. 10x
4	296473	Stairville Tour Stage Leg Clamp 2
5	296474	Stairville Tour Stage Leg Clamp 4
	428876	Stairville Tour Stage Alu Clamping Piece

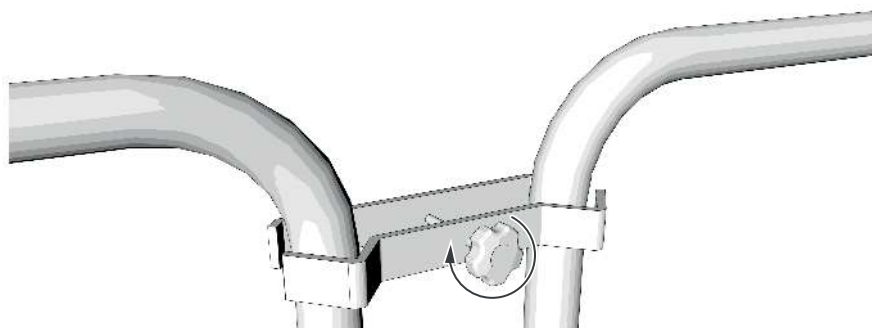
4.3 Attaching the railings



1. Attach the railing holders to the designated locations on the stage platform and tighten the screws using an Allen key.



2. Insert the railing all the way into the round tubes of the railing holders and tighten the hand screws of the railing holders.
3. If more railings are required, attach them to the stage platforms first.



4. Secure two neighbouring railings with a connecting clamp and tighten the hand screw. Check the railings for firm fit.



For platform heights above 80 cm, railings must be mounted for additional safety!

Installation

The following table shows the different sizes and versions of the railings:

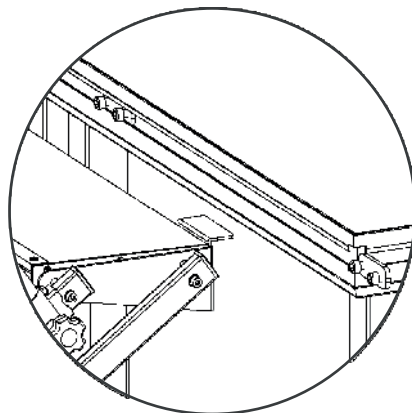
Item no.	Name	Dimensions (W × H × D)	Weight
296470	Stairville Tour Stage Handrail 1 m	868 mm × 1,203 mm × 35 mm	2.8 kg
485810	Stairville Tour Stage Handrail 1 m Bk	868 mm × 1,203 mm × 35 mm	2.8 kg
448955	Stairville Tour Stage Handrail 1 m Mk2	868 mm × 1,203 mm × 35 mm	2.8 kg
485812	Stairville Tour Stage Handrail 1 m Mk2 Bk	868 mm × 1,203 mm × 35 mm	2.8 kg
296469	Stairville Tour Stage Handrail 2 m	1,868 mm × 1,203 mm × 35 mm	4.5 kg
485815	Stairville Tour Stage Handrail 2 m Bk	1,868 mm × 1,203 mm × 35 mm	4.5 kg
448954	Stairville Tour Stage Handrail 2 m Mk2	1,868 mm × 1,203 mm × 35 mm	4.5 kg
485819	Stairville Tour Stage Handrail 2 m Mk2 Bk	1,868 mm × 1,203 mm × 35 mm	4.5 kg

Accessories for railings

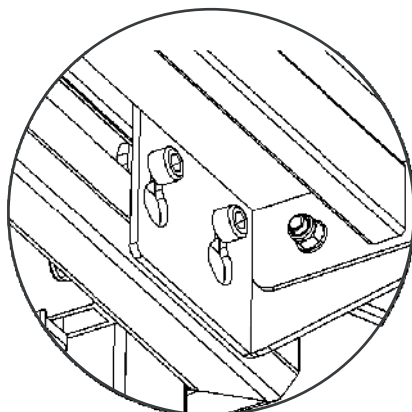
Item no.	Name	Weight
448945	Stairville Tour Stage Handrail Clamp	0.8 kg
485811	Stairville Tour Stage Handrail Clamp Bk	0.8 kg
424776	Stairville Tour Stage Railing Holder 2	0.3 kg
499258	Stairville Tour Stage Railing Holder 2 Bk	0.7 kg

4.4 Attaching the stairs

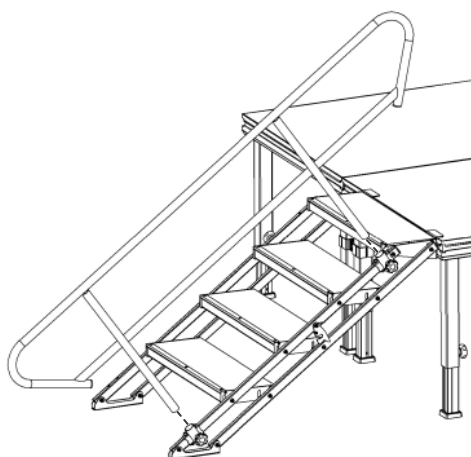
The following instructions describe the assembly of the Stairville Tour Stage Vario stairs.



1. Insert the assembly element into the guide rails of the stage platform and place the stair holder on the stage platform.



2. Connect the assembly element to the stair holder and tighten the screws with an Allen key until they are hand-tight.
3. Slide the stairs to the desired position and tighten the screws using an Allen key.



4. Attach the railing holders to the designated locations on the stairs and tighten the screws using an Allen key.
5. Insert the railing all the way into the round tubes of the railing holders and tighten the hand screws of the railing holders. Check the railings for firm fit.

Installation

The following tables show the different sizes and versions of the stairs and railings:

Item no.	Name	Dimensions (W × H)	Weight
296005	Stairville Tour Stage Vario Stair 40-60	780 mm × 400 - 600 mm	18 kg
296461	Stairville Tour Stage Vario Stair 60-100	780 mm × 600 - 1,000 mm	29.9 kg
296465	Stairville Tour Stage Vario Stair 80-120	780 mm × 800 - 1,200 mm	56 kg
442997	Stairville Tour Stage Vario Stair 100-140	750 mm × 1,000 - 1,400 mm	51 kg
296468	Stairville Tour Stage VarioStair Handrail	2,285 mm × 750 mm	3.8 kg
591999	Stairville Tour Stage VarioStair Rail Bk	2,285 mm × 750 mm	3.8 kg

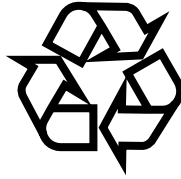
Item no.	Name	Dimensions (W × H × D)	Weight
366097	Stairville iX/Tour Stage Stair 20/40 cm	990 mm × 400 mm × 675 mm	19.7 kg
467310	Stairville iX/Tour Stage Stair 20 cm	990 mm × 200 mm × 350 mm	8.5 kg
448932	Stairville iX/Tour Stage Stair Ext. 60 cm	990 mm × 600 mm × 350 mm	12.2 kg
448936	Stairville iX/Tour Stage Stair Ext. 80 cm	990 mm × 800 mm × 350 mm	13.4 kg
464633	Stairville iX/Tour Stage Stair Handrail	1,414 mm × 1,300 mm × 35 mm	2.7 kg
485805	Stairville iX/Tour Stage Stair Handrail B	1,414 mm × 1,300 mm × 35 mm	2.7 kg

Accessories for railings

Item no.	Name	Weight
346027	Stairville Tour Stage Railing Holder	0.3 kg
499264	Stairville Tour Stage Railing Holder 3 Bk	0.5 kg

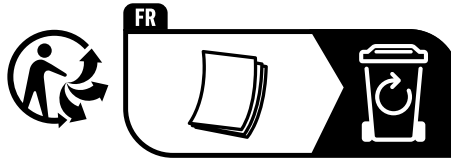
5 Protecting the environment

Disposal of the packing material



Environmentally friendly materials have been chosen for the packaging. These materials can be sent for normal recycling. Ensure that plastic bags, packaging, etc. are disposed of in the proper manner.

Do not dispose of these materials with your normal household waste, but make sure that they are collected for recycling. Please follow the instructions and markings on the packaging.



Observe the disposal note regarding documentation in France.

