

Millenium

MPS-750 Mesh Set
e-drum set



Musikhaus Thomann
Thomann GmbH
Hans-Thomann-Strasse 1
96138 Burgebrach
Germany
Telephone: +49 (0) 9546 9223-0
E-mail: info@thomann.de
Internet: www.thomann.de

04.04.2017, ID: 372716 (V2)

Table of contents

1	Safety instructions.....	4
2	Scope of delivery.....	5
3	Assembly.....	6
4	Protecting the environment.....	12

1 Safety instructions

 **DANGER!**

Danger for children

Ensure that plastic bags, packaging, etc. are disposed of properly and are not within reach of babies and young children. Choking hazard!

Ensure that children do not detach any small parts (e.g. knobs or the like) from the unit. They could swallow the pieces and choke!

Never let children unattended use electrical devices.

2 Scope of delivery



Before you assemble your drum set, make sure the contents of package is complete according to the following list.

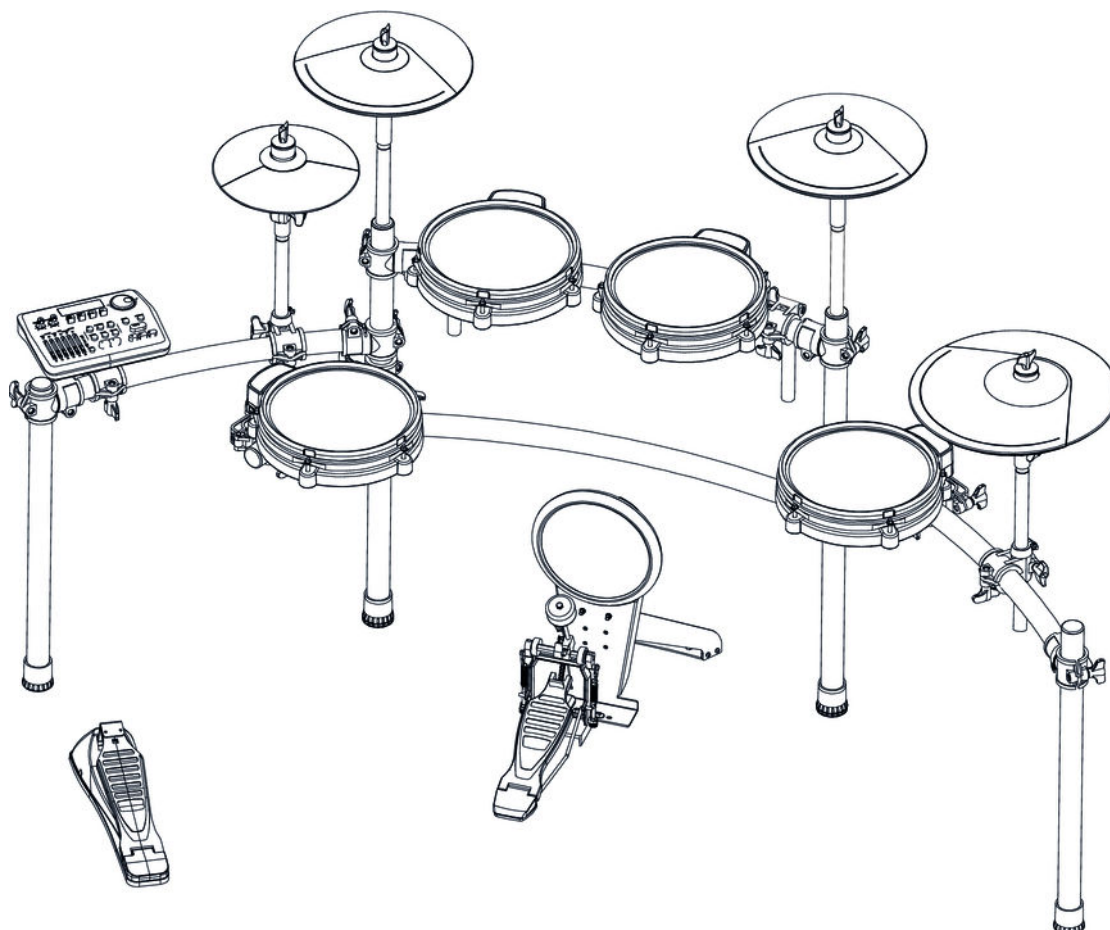
Millenium MPS-750 Mesh Set

- e-drum module Millenium MPS-750
- 1 × mesh snare pad, 10", dual zone
- 3 × mesh tom pads, 10", dual zone
- 1 × kick pad, 8"
- 1 × hi-hat pad, 8"
- 2 × crash pad with choke function, 12"
- 1 × ride pad with choke function, 14", triple zone
- Hi-hat controller
- Bass drum pedal
- Rack with pad brackets (1 × L-rod, 3 × hexagonal bars) and cymbal holders (1 × short, 3 × large)
- Complete pad cabling
- Mains power adapter

3 Assembly

Overview

Loosen the screws of the clamps before sticking the tubes together. Mount the various elements in the specified sequence. The positions of the pads, cymbals, etc. are shown in the illustration below.

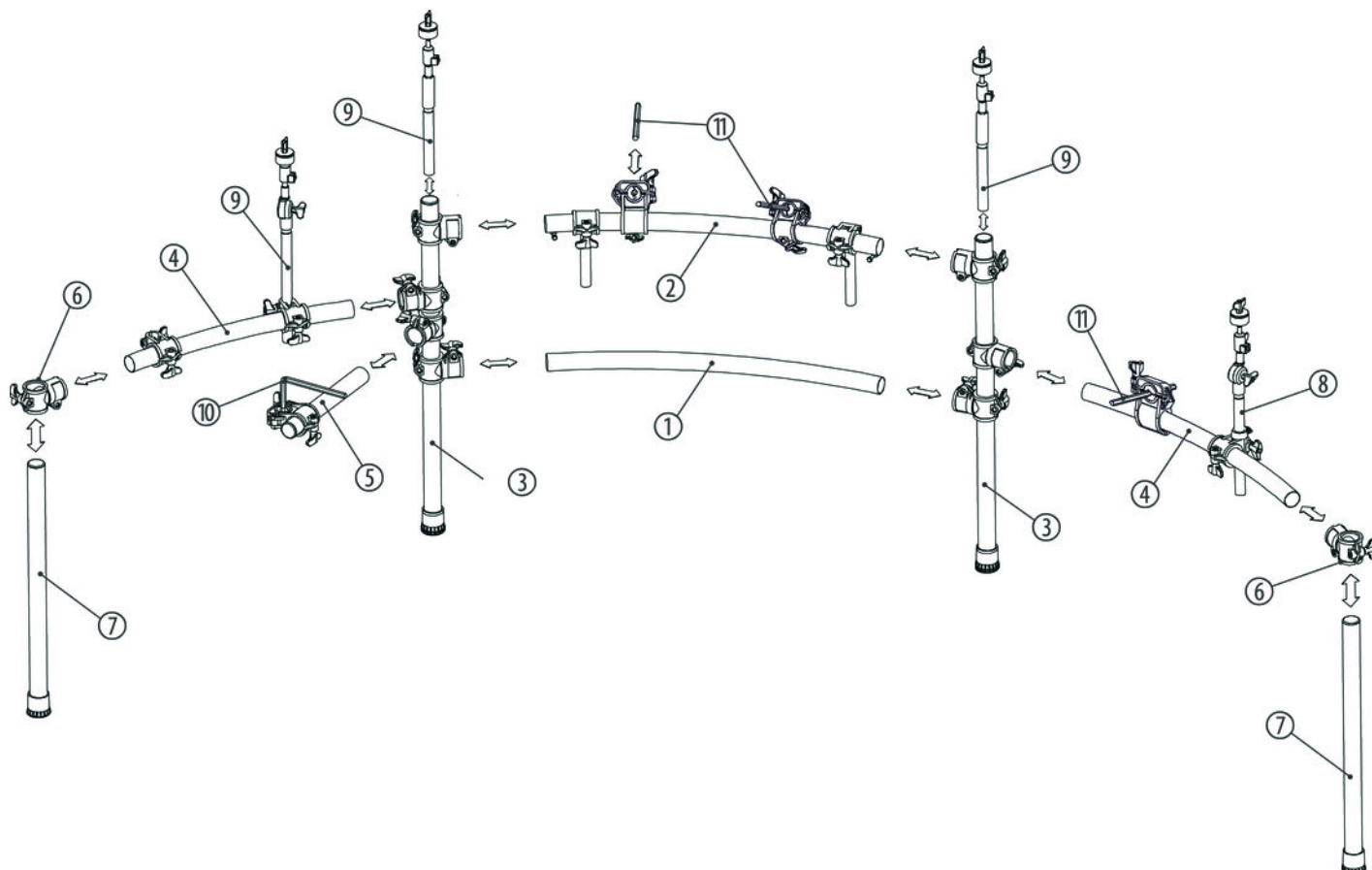


Assembling the rack

⚠ CAUTION!

Danger of cuts on hands and fingers

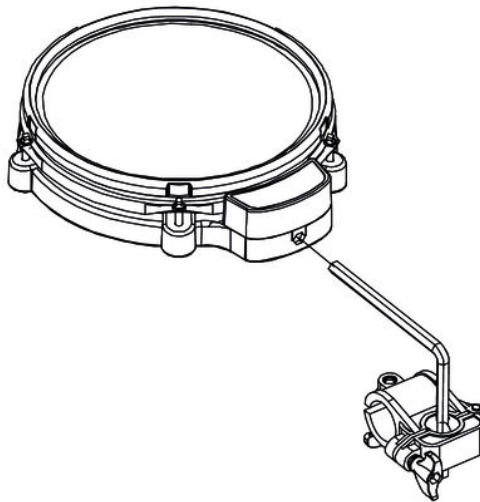
When connecting the parts, take care for sharp edges on the metal tubes, screws etc.



1	Align the upper and lower bracket for the connecting tubes (1, 2) of the two feet (3) of the rack in height and according to the desired playing position. Insert the connecting pipes (1, 2) as shown and tighten the mounting screws.
2	Insert the side arms (4) into the middle brackets of the two feet (3) of the rack. Make sure that the horizontal tubes form a continuous arch.
3	Attach the two lateral supporting tubes (7) of the rack to the mounting brackets of the side arms (4). Make sure that the ends of the support tubes are resting on the floor. Then tighten the retaining screws.
4	Position the mounting clamps (10/L-pieces, 11/hexagonal bars) for the individual pads. Then tighten the retaining screws.
5	Turn the L-rods into a suitable position for mounting the pads. Then tighten the retaining screws.

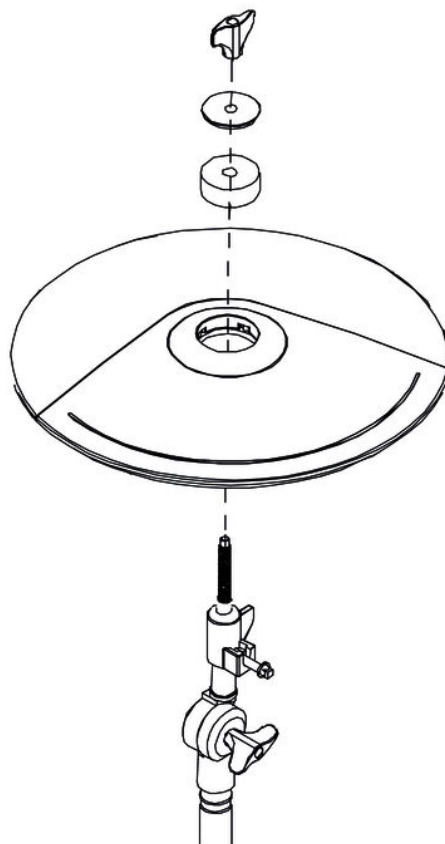
6	Insert the three short brackets (9) and the long bracket (8) for the cymbals as shown into the designated mounting clamps on the rack. Secure the supports at the desired vertical position using the retaining screws.
7	Loosen the retaining screws on the bracket joints and turn the brackets (8, 9) into the desired playing positions. Then re-tighten the retaining screws.

Mounting pads on the rack



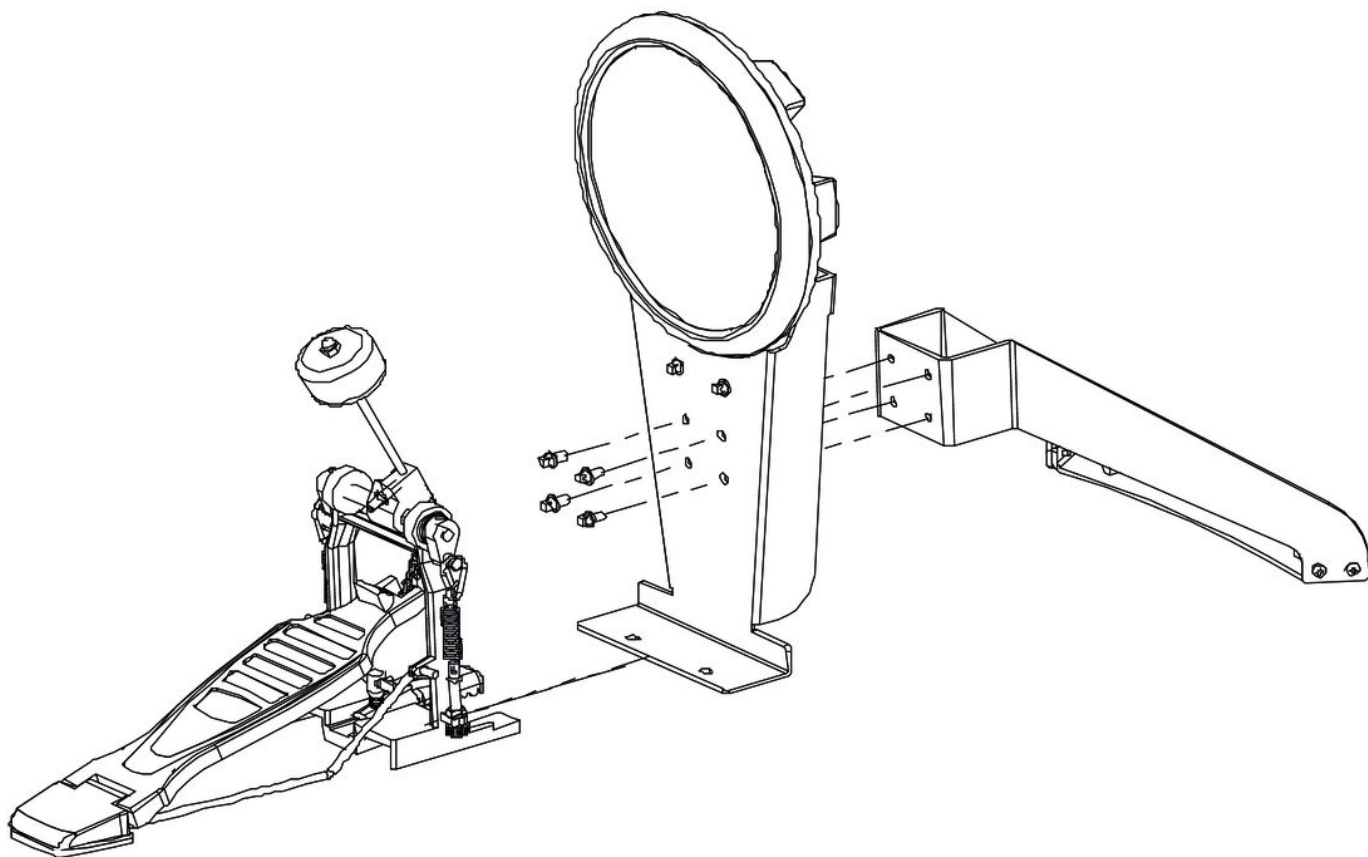
1	Attach the supplied retaining elements (one L-piece, three hexagonal rods) to the pads.
2	Insert the retaining elements into the clamps provided on the rack.
3	Align the pads on the rack to meet your needs and tighten the locking screws of the pad brackets and the pad clamps on the rack firmly and evenly.

Mounting cymbals on the rack



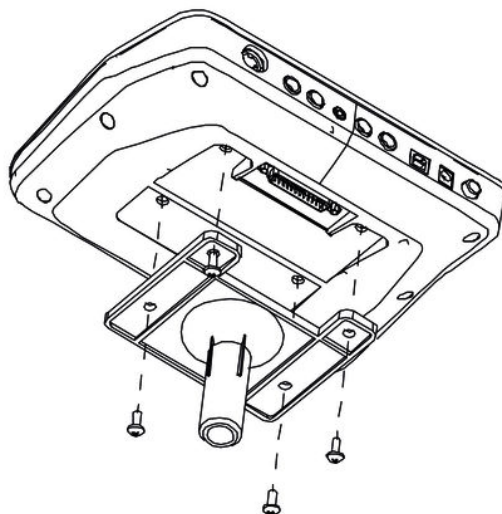
1	Insert the three cymbal holders (3 × long, 1 × short) as shown into the clamps provided on the rack.
2	Tighten the bolts on the clamps firmly and evenly.
3	Unscrew the wing nuts from the cymbal holders and take the flat and felt washers off the holders.
4	Place the cymbals on their supports as illustrated.
5	Place the flat and felt washers on the cymbals and fix the four cymbals with the associated wing nuts on the holders.

Bass drum pedal, hi-hat



1	Screw the pedal and the pad as shown using the supplied screws.
2	Place the beater into the hole provided on the rotary head of the kick drum pedal and tighten the clamp with the drum key firmly.
3	Position the unit in a comfortable playing position in front of the rack.
4	Position the hi-hat pedal to the left of the bass drum pad in a comfortable playing position in front of the rack.

Mounting the drum module on the rack



- | | |
|---|--|
| 1 | Put the drum module up to the stop into the empty terminal of the left side arm. |
| 2 | Align the module and tighten the wing nut of the clamp. |

Set-up and cabling

Set up the rack, the pads and the cymbals according to your needs. As a final step, all triggers need to be wired to the drum module. Note the labelling on the drum module and the colour markings of each cable.

4 Protecting the environment

Disposal of the packaging material



For the transport and protective packaging, environmentally friendly materials have been chosen that can be supplied to normal recycling.

Ensure that plastic bags, packaging, etc. are properly disposed of.

Do not just dispose of these materials with your normal household waste, but make sure that they are collected for recycling. Please follow the notes and markings on the packaging.

Disposal of your old device



This product is subject to the European Waste Electrical and Electronic Equipment Directive (WEEE). Do not dispose with your normal household waste.

Dispose of this device through an approved waste disposal firm or through your local waste facility. When discarding the device, comply with the rules and regulations that apply in your country. If in doubt, consult your local waste disposal facility.

