

Millenium

MPS-450
e-drum set

Musikhaus Thomann
Thomann GmbH
Hans-Thomann-Straße 1
96138 Burgebrach
Germany
Telephone: +49 (0) 9546 9223-0
E-mail: info@thomann.de
Internet: www.thomann.de

25.03.2019, ID: 454253

Table of contents

1	Safety instructions.....	4
2	Scope of delivery.....	5
3	Assembly.....	7
4	Protecting the environment.....	13

1 Safety instructions

 **DANGER!**

Danger for children

Ensure that plastic bags, packaging, etc. are disposed of properly and are not within reach of babies and young children. Choking hazard!

Ensure that children do not detach any small parts (e.g. knobs or the like) from the unit. They could swallow the pieces and choke!

Never let children unattended use electrical devices.

2 Scope of delivery

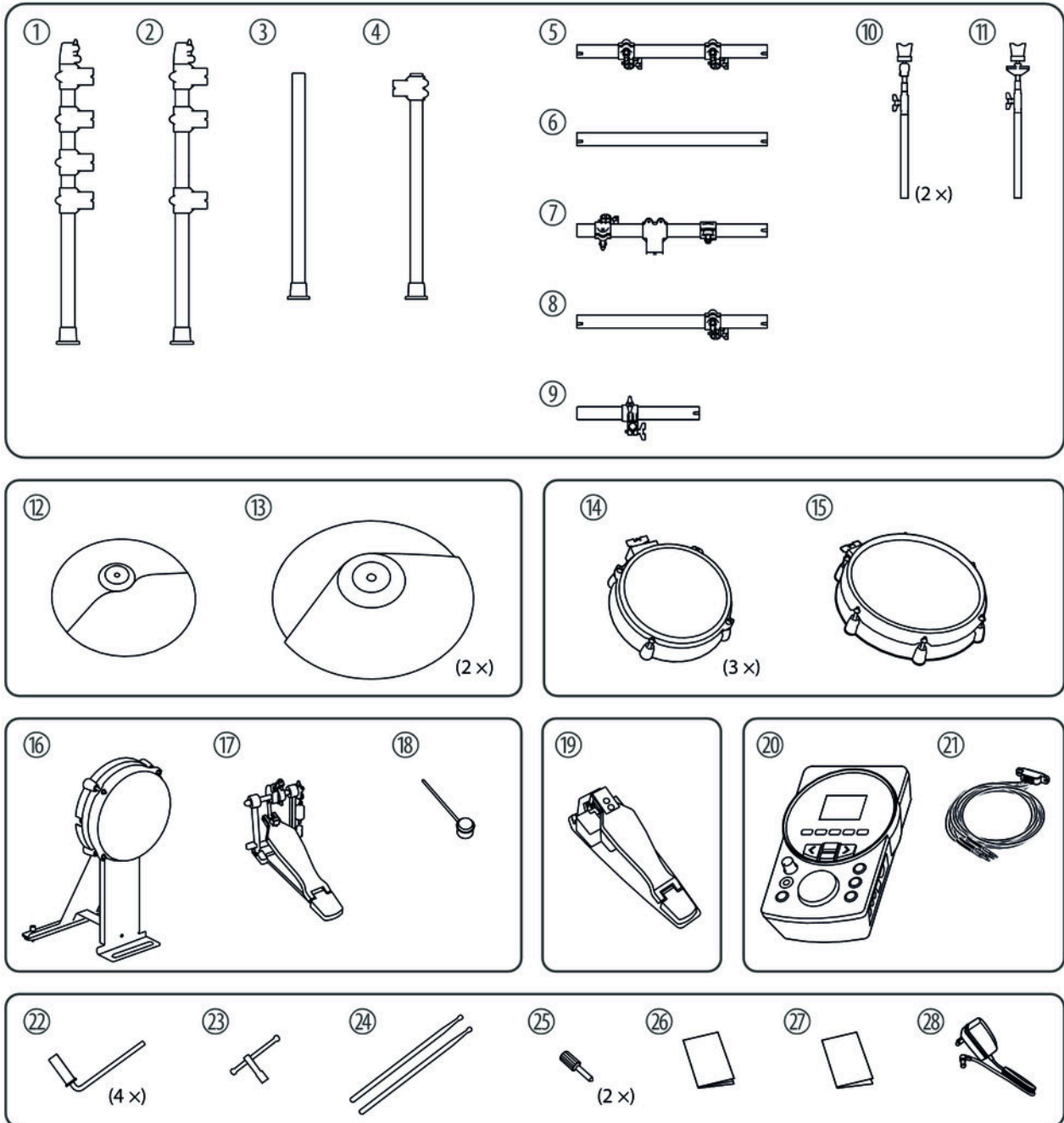


Before you assemble your drum set, make sure the contents of package is complete according to the following list and figure.

Item	Qty.	
1	1	Lateral support tube on the left
2	1	Lateral support tube on the right
3	1	Support tube for left crossbeam
4	1	Support tube for right crossbeam
5	1	Upper horizontal connection tube
6	1	Lower horizontal connection tube
7	1	Left crossbeam
8	1	Right crossbeam
9	1	Crossbeam for Snare
10	2	Cymbal brackets (Crash and Ride)
11	1	Hi-hat holder
12	1	Hi-hat pad (10 inch)
13	2	Crash (12 inch, with Choke function), Ride (12 inch, with Choke function)
14	3	Tom pad 1 (8 inch, Mesh Head), Tom pad 2 (8 inch, Mesh Head), Tom pad 3 (8 inch, Mesh Head)
15	1	Snare pad (10 inch, Dual Zone, Mesh Head)
16	1	Bass drum pad (8 inch)
17	1	Bass drum pad pedal
18	1	Pedal beater
19	1	Hi-hat pedal
20	1	e-drum module Millenium MPS-450
21	1	Multiple cable for connecting the pads, cymbals and pedals to the e-drum module
22	4	Mounting bracket for pads
23	1	Drum key
24	1	Set of drum sticks
25	2	Thumb screw
26	1	User manual e-drum module

Scope of delivery

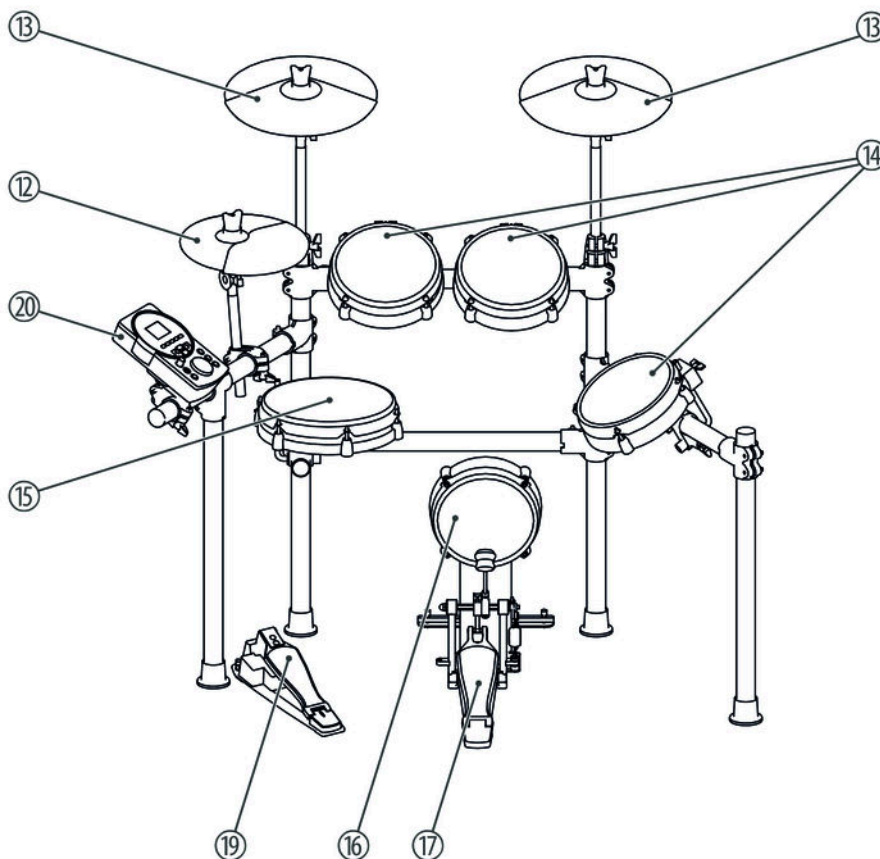
Item	Qty.	
27	1	Assembly instructions e-drum set
28	1	Plug-in power supply



3 Assembly

Overview

Loosen the screws of the clamps before sticking the tubes together. Mount the various elements in the specified sequence. The final positions of the components are shown in the illustration below.



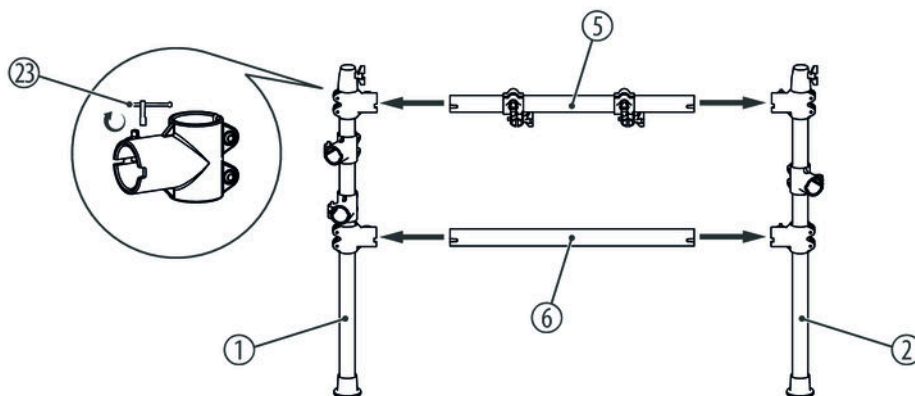
12	Hi-hat pad (10 inch)
13	Crash (12 inch), Ride (12 inch)
14	Tom pad 1 (8 inch), tom pad 2 (8 inch)
15	Snare pad (10 inch)
16	Bass drum pad (8 inch)
17	Bass drum pad pedal
19	Hi-hat pedal
20	e-drum module Millenium MPS-450

Assembling the rack

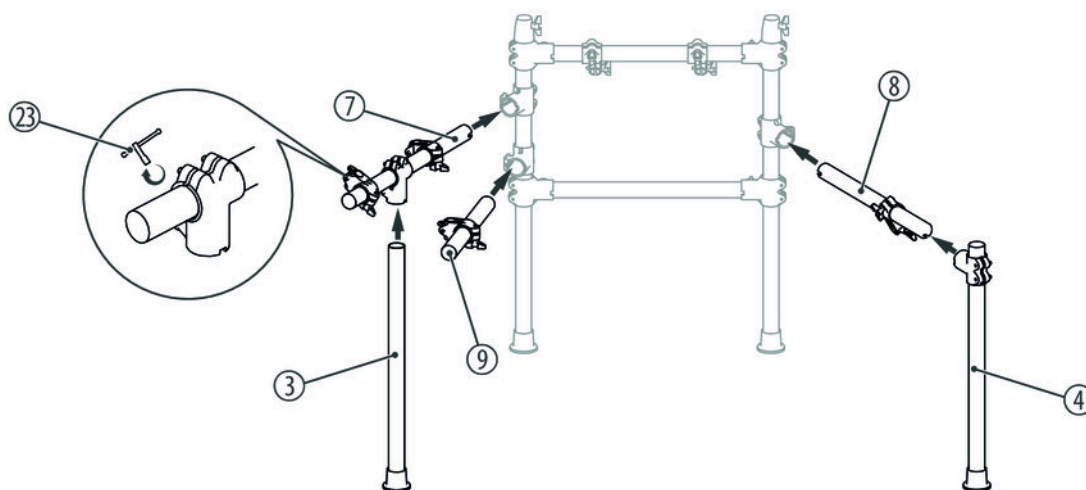
CAUTION!

Danger of cuts on hands and fingers

When connecting the parts, take care for sharp edges on the metal tubes, screws etc.

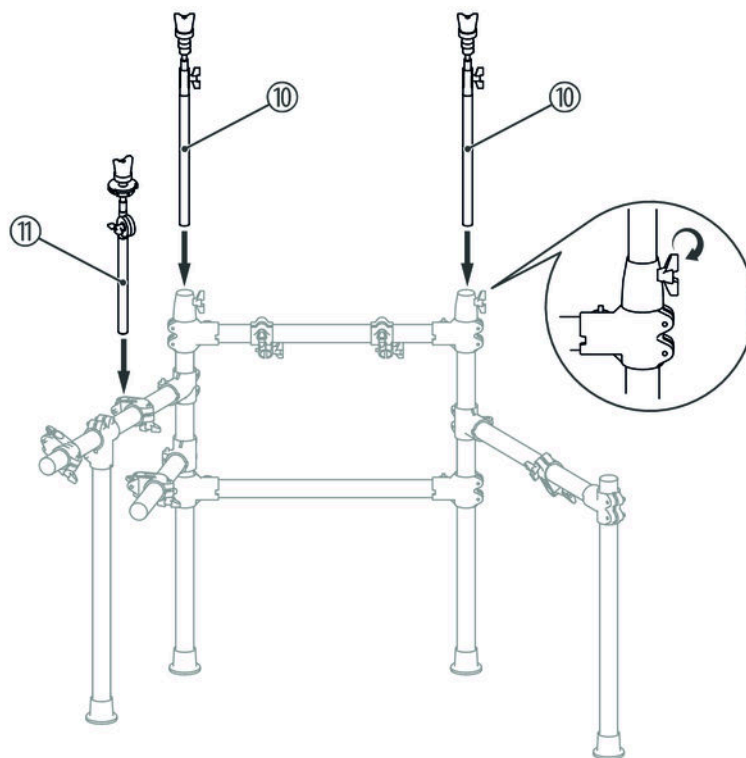


1. Attach the horizontal connection tubes (5, 6) to the lateral support tubes (1, 2).
2. Then tighten the mounting screws with the drum key (23).



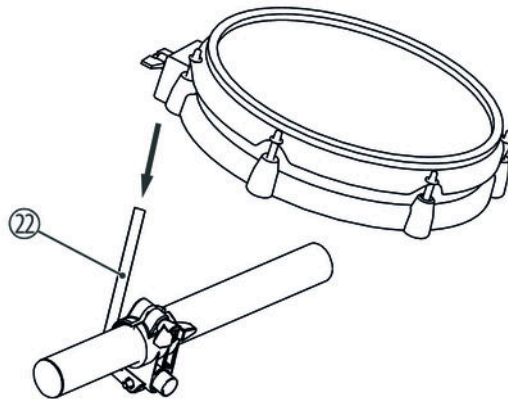
1. Attach the three side crossbeams of the rack (7, 8, 9) in the provided mounting clamps.
2. Attach the support tubes (3, 4) for the crossbeams to the provided mounting clamps. Make sure that the ends of the support tubes (3, 4) are resting on the floor.

3. ➤ Then tighten the mounting screws with the drum key (23).



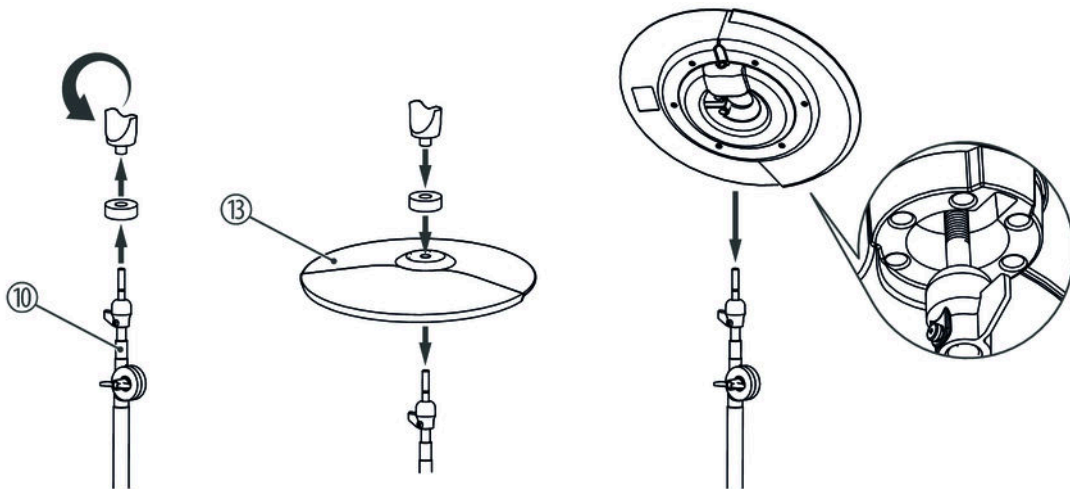
- 1.** ➤ Insert the brackets (10, 11) for the cymbals (Crash, Ride) and the Hi-hat into the provided mounting clamps on the rack. Fasten the brackets using the mounting screws at the desired height.
- 2.** ➤ Loosen the retaining screws on the bracket joints and turn the brackets into the desired playing positions. Then retighten the locating screws firmly.

Mounting pads on the rack



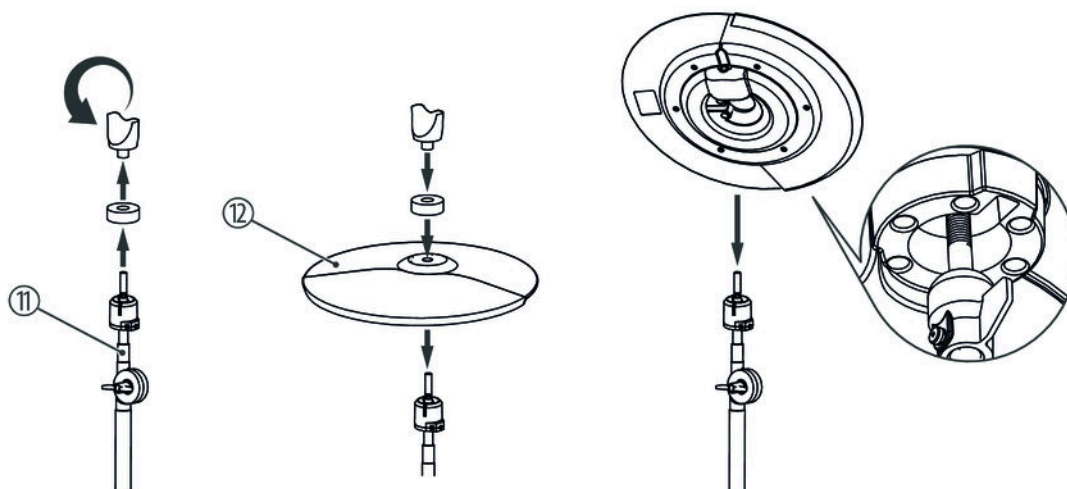
1. ➤ Slide the plastic ends of the mounting brackets (22) up to the stop into the designated clamps on the rack. Then tighten the wing nuts on the clamps by hand.
2. ➤ Attach pads (14, 15) to the mounting brackets (22) and hand-tighten the wing nuts of the pads.
3. ➤ Align the pads on the rack to meet your needs, then tighten the wing nuts of the brackets and the wing nuts of the pads evenly.

Mounting cymbals on the rack



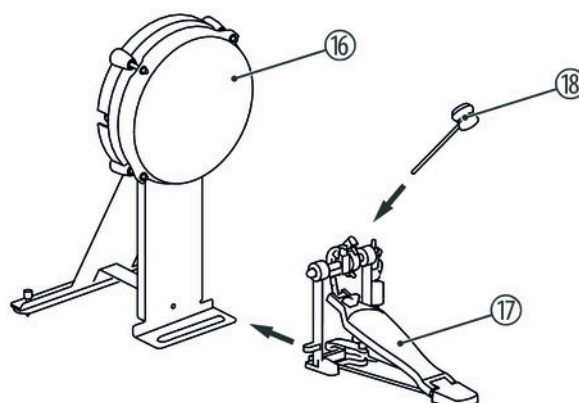
1. ➤ Unscrew the wing nuts from the cymbal holders (10) and take the felt washers off the holders.
2. ➤ Place the cymbals (13) as shown in the figure on the holders. Be sure to attach the crash pad (10 inch) to the left holder and the ride pad (12 inch) to the right cymbal holder.
3. ➤ Place the felt washers on the cymbals (13) and fix the cymbals with the associated wing nuts on the holders.

Mounting the Hi-hat on the rack



1. ➤ Unscrew the wing nuts from the Hi-hat holder (11) and take the felt washers off the holders.
2. ➤ Place the Hi-hat (12) as shown in the figure on the holder.
3. ➤ Place the felt washers on the cymbals and fix the Hi-hat (12) with the associated wing nut on the holder.

Setting up the bass drum pedal

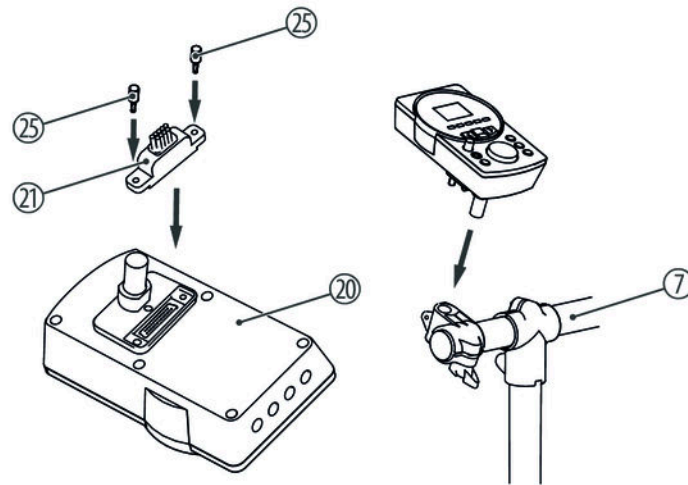


1. ➤ Engage the bolt of the foot machine (17) into the provided hole on the bass drum pad (16).
2. ➤ Place the beater (18) into the hole provided on the rotary head of the pedal (16) and tighten the fastening screw with the drum key (23).

Aligning the beater

Pay attention to the correct orientation of the beater. The beater may only hit the bass drum pad with the plastic side, otherwise the mesh head clothing may break.

Mounting the drum module on the rack



1. ➤ Insert the D-sub plug of the multiple cable (21) into the provided socket on the bottom side of the drum module.
2. ➤ Tighten the D-Sub plug with the hand screws (25).
3. ➤ Put the drum module (20) up to the stop into the free bracket of the left crossbeam (7).
4. ➤ Align the module and tighten the wing nut of the bracket.

Position bass drum and hi-hat pedal

1. ➤ Place the pedal with the bass drum pad centred under the rack. Position the bass drum pedal centred in front of the pad.
2. ➤ Place the Hi-hat pedal left of the bass drum pad.

Set-up and cabling

Set up the rack, the pads and the cymbals according to your needs. Finally, position the pedal with the bass drum pad and the Hi-hat pedal in front of the rack and connect all trigger cables to the e-drum module.

4 Protecting the environment

Disposal of the packaging material



For the transport and protective packaging, environmentally friendly materials have been chosen that can be supplied to normal recycling.

Ensure that plastic bags, packaging, etc. are properly disposed of.

Do not just dispose of these materials with your normal household waste, but make sure that they are collected for recycling. Please follow the notes and markings on the packaging.

Disposal of your old device



This product is subject to the European Waste Electrical and Electronic Equipment Directive (WEEE) in its currently valid version. Do not dispose with your normal household waste.

Dispose of this device through an approved waste disposal firm or through your local waste facility. When discarding the device, comply with the rules and regulations that apply in your country. If in doubt, consult your local waste disposal facility.

