

Millenium

HD-120
e-drum set

Musikhaus Thomann
Thomann GmbH
Hans-Thomann-Straße 1
96138 Burgebrach
Germany
Telephone: +49 (0) 9546 9223-0
E-mail: info@thomann.de
Internet: www.thomann.de

09.04.2019, ID: 461227

Table of contents

| | | |
|---|---------------------------------|----|
| 1 | Safety instructions..... | 4 |
| 2 | Scope of delivery..... | 5 |
| 3 | Assembly..... | 7 |
| 4 | Protecting the environment..... | 14 |

1 Safety instructions

 **DANGER!**

Danger for children

Ensure that plastic bags, packaging, etc. are disposed of properly and are not within reach of babies and young children. Choking hazard!

Ensure that children do not detach any small parts (e.g. knobs or the like) from the unit. They could swallow the pieces and choke!

Never let children unattended use electrical devices.

2 Scope of delivery

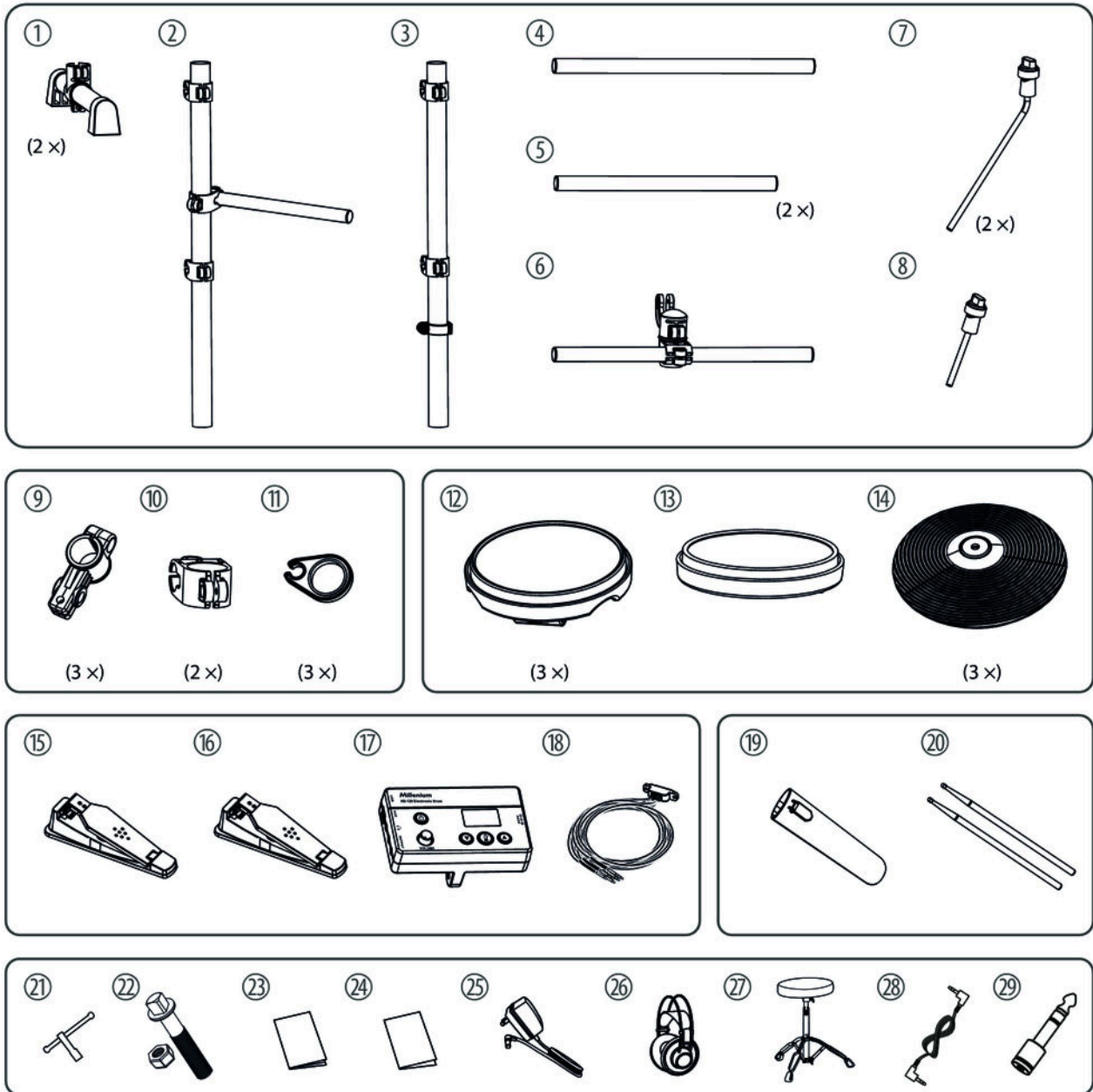


Before you assemble your drum set, make sure the contents of package is complete according to the following list and figure.

| Item | Qty. | |
|------|------|---|
| 1 | 2 | Rack foot |
| 2 | 1 | Lateral support tube on the left |
| 3 | 1 | Lateral support tube on the right |
| 4 | 1 | Lower horizontal connection tube |
| 5 | 2 | Side arm left and right |
| 6 | 1 | Upper horizontal connection tube |
| 7 | 2 | Cymbal holder (Crash and Ride) |
| 8 | 1 | Hi-hat holder |
| 9 | 3 | Joint for the cymbals and the Hi-hat |
| 10 | 2 | Clamp for horizontal upper connection tube |
| 11 | 3 | Fixation for the multi-cable |
| 12 | 3 | Tom pad 1 (7 inch), Tom pad 2 (7 inch), Tom pad 3 (7 inch) |
| 13 | 1 | Snare pad (7 inch) |
| 14 | 3 | Crash (9 inch), Ride (9 inch), Hi-hat (9 inch) |
| 15 | 1 | Hi-hat pedal |
| 16 | 1 | Bass drum pedal |
| 17 | 1 | e-drum module Millenium HD-120 |
| 18 | 1 | Multi-cable for connecting the pads, cymbals, and pedals to the e-Drum module |
| 19 | 1 | Drum stick holder |
| 20 | 1 | Set of drum sticks |
| 21 | 1 | Drum key |
| 22 | 22 | Fixing screws, designed as square-head bolts |
| 23 | 1 | User manual e-drum module |
| 24 | 1 | Assembly instructions e-drum set |
| 25 | 2 | Plug-in power supply |
| 26 | 1 | Headphones |

Scope of delivery

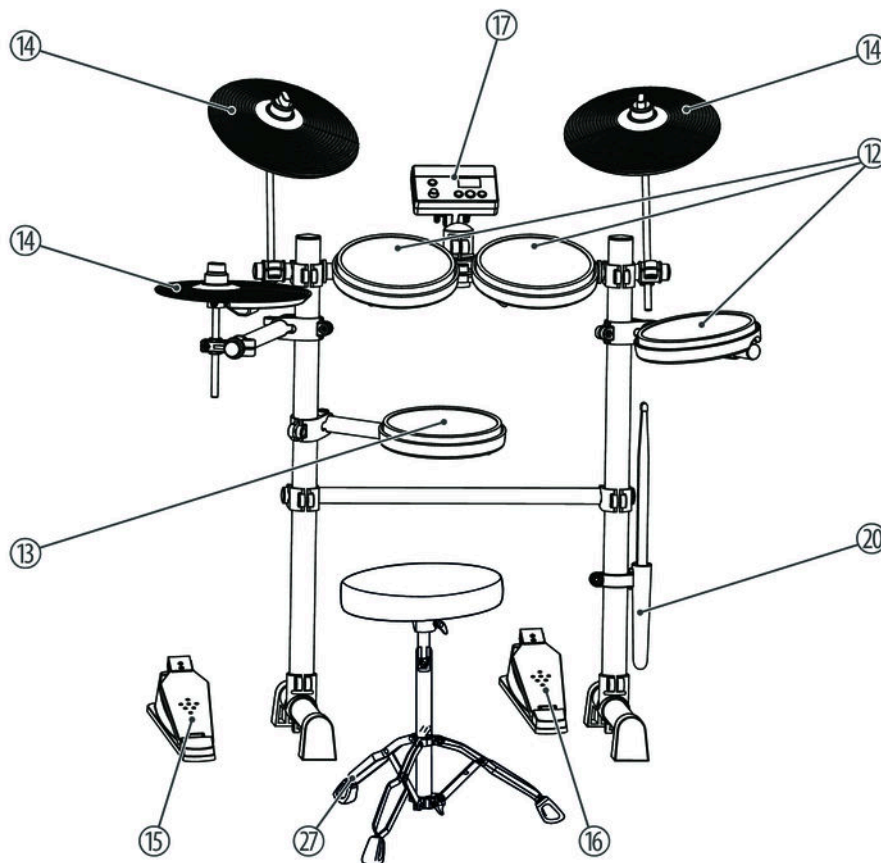
| Item | Qty. | |
|------|------|---|
| 27 | 1 | Seat |
| 28 | 1 | 3.5 mm stereo jack cable |
| 29 | 1 | Headphone adapter from 3.5 mm stereo jack to 6.3 mm stereo jack |



3 Assembly

Overview

Loosen the fixing screws (22) of the clamps before sticking the tubes together. Mount the various elements in the specified sequence. The final positions of the components are shown in the illustration below.



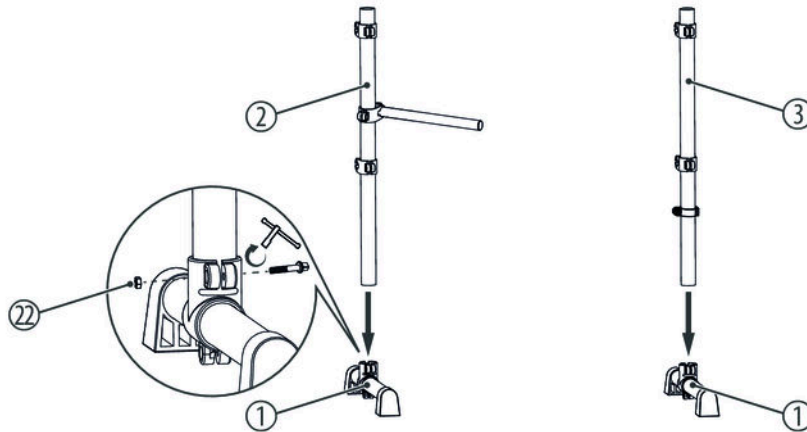
| | |
|----|--|
| 12 | Tom pad 1 (7 inch), Tom pad 2 (7 inch), Tom pad 3 (7 inch) |
| 13 | Snare pad (7 inch) |
| 14 | Crash (9 inch), Ride (9 inch), Hi-hat (9 inch) |
| 15 | Hi-hat pedal |
| 16 | Bass drum pedal |
| 17 | e-drum module Millenium HD-120 |
| 20 | Drum stick holder |
| 27 | Seat |

Assembling the rack

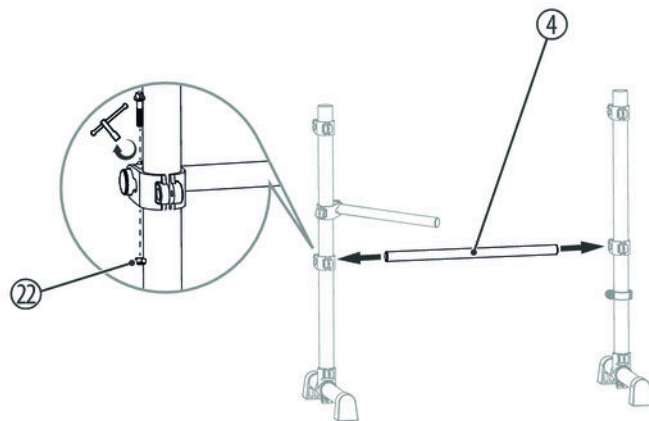
CAUTION!

Danger of cuts on hands and fingers

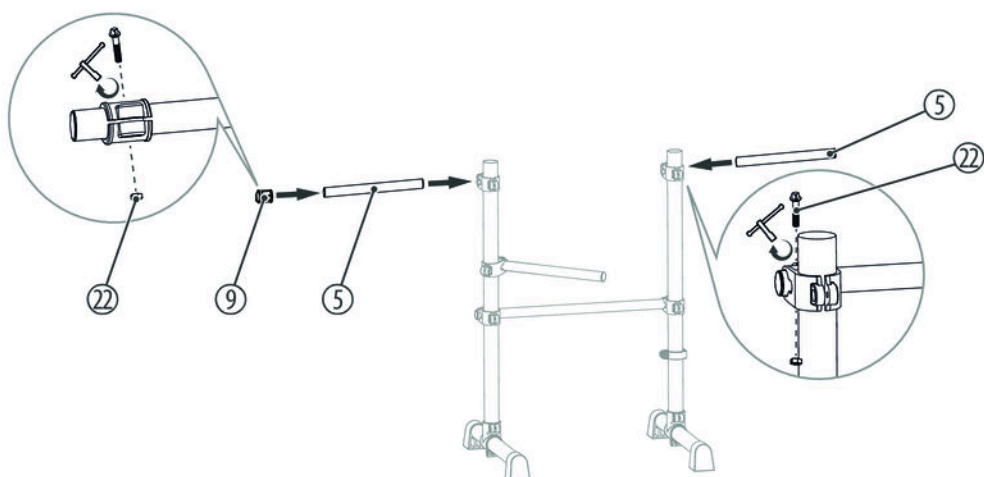
When connecting the parts, take care for sharp edges on the metal tubes, screws etc.



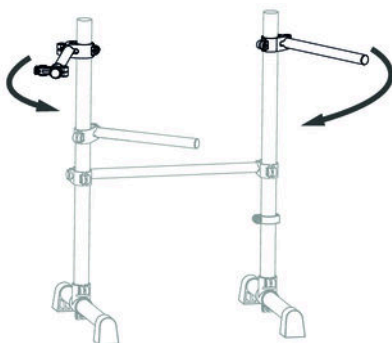
1. Attach the lateral support tubes (2, 3) to the rack feet (1).
2. Then tighten the fixing screws (22) with the drum key (21).



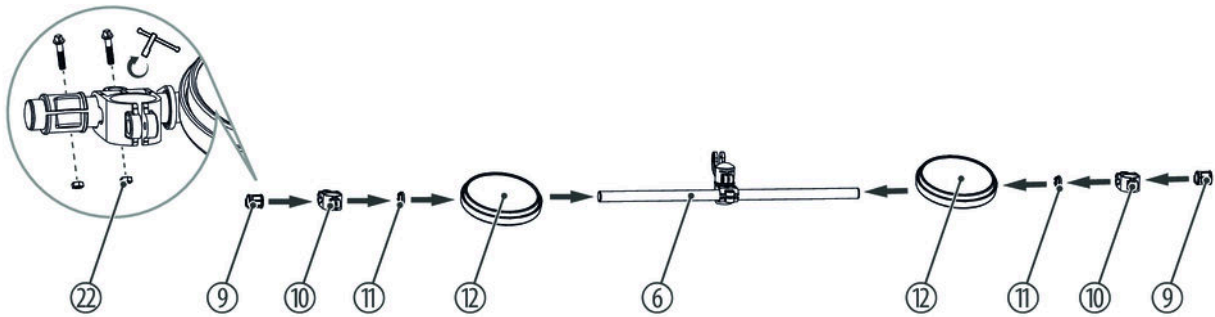
1. Attach the horizontal connection tube (4) to the fixing clamps provided on the lateral support tubes (2, 3).
2. Then tighten the fixing screws (22) with the drum key (21).



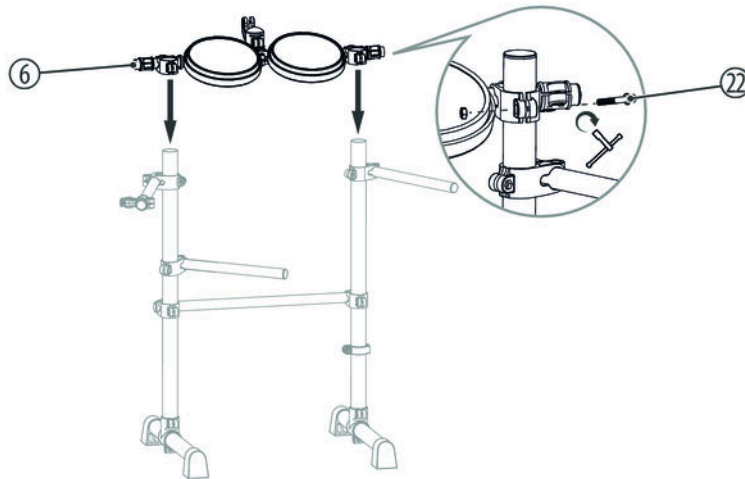
1. ➤ Attach the side arms (5) in the provided mounting clamps on the rack.
2. ➤ Then tighten the fixing screws (22) with the drum key (21).
3. ➤ Attach the hi-hat hinge (9) to the side arm.
4. ➤ Slide the hinge for the Hi-hat (9) in the desired position and then tighten the fixing screws (22) with the drum key (21).



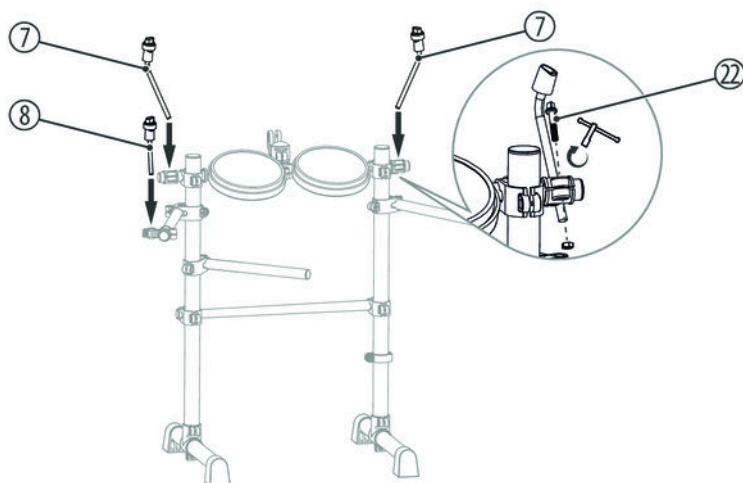
1. ➤ Loosen the fixing screws (22) of the mounting clamps on the lateral support tubes with the drum key (21).
2. ➤ Turn the side arms in the desired position and then re-tighten the fixing screws (22) with the drum key (21).



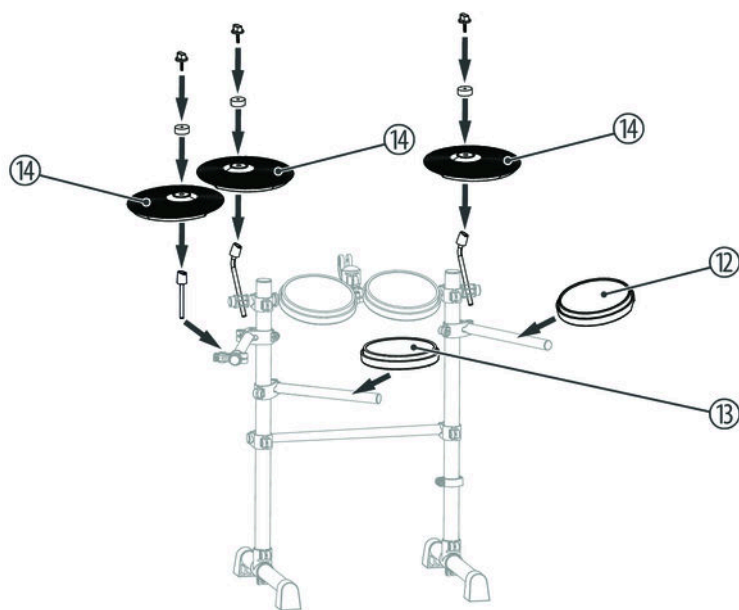
1. Attach the Tom pads (12), the multi-cable fixings (11), the horizontal connecting tube clamps (10), and the cymbal joints (9) in the order shown to the horizontal connecting tube (6).
2. Then tighten the fixing screws (22) of the individual components with the drum key (21).



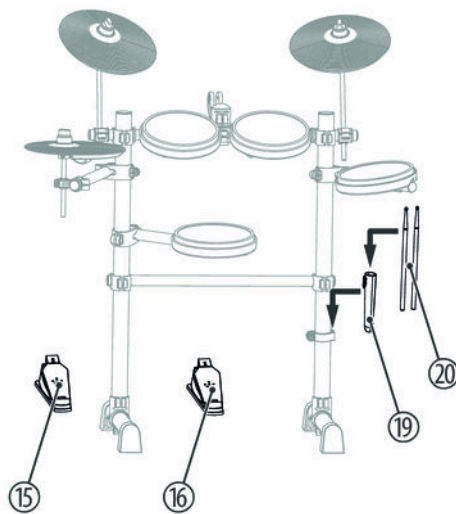
1. Attach the horizontal connecting tube (5) to the lateral support tubes (2, 3).
2. Then tighten the fixing screws (22) with the drum key (21).



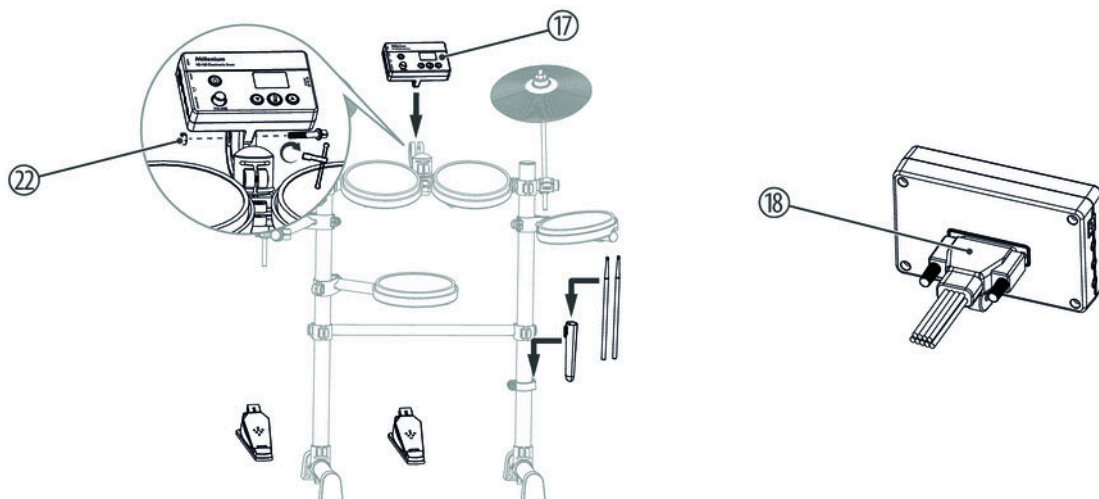
1. Attach the holders for the cymbals (7) and the Hi-hat (8) to the joints for the cymbal and the Hi-hat (9).
2. Then tighten the fixing screws (22) with the drum key (21).



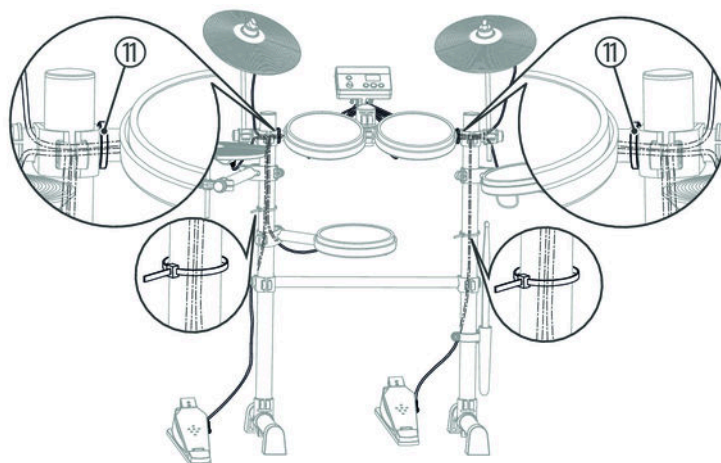
1. Unscrew the wing nuts from the holders for the cymbals (7) and the Hi-hat (8) and take the felt washers off the holders.
2. Place the cymbals (14) as shown in the figure on the holders.
3. Place the felt washers on the cymbals (14) and fix the cymbals with the associated wing nuts on the holders.
4. Attach the Tom pad (12) to the side arm (5) and the Snare pad (13) to the boom of the side support tube (2).



1. ➤ Hang the drumstick holder (19) in the provided rail on the side support tube (3) and store the drumsticks (20) in the drumstick holder.
2. ➤ Set up the Hi-hat pedal (15) and the Bass drum pedal (16).



1. ➤ Put the e-drum module (17) up to the stop into the free bracket of the horizontal connection tube (6).
2. ➤ Align the e-drum module and then tighten the fixing screws (22) with the drum key (21).
3. ➤ Insert the D-sub plug of the multi-cable (18) into the corresponding socket on the bottom side of the e-drum module.
4. ➤ Tighten the D-sub plug with the hand screws of the e-drum module.



- 1.** ➤ Set up the rack, the pads and the cymbals according to your needs. Finally, position the Hi-hat and bass drum pedals in front of the rack and connect all trigger cables to the e-drum module.
- 2.** ➤ Position the bass drum pedal centred under the rack.
- 3.** ➤ Position the Hi-hat pedal to the left of the rack.
- 4.** ➤ Use the clamp for the horizontal connection tube (10) and cable ties to attach the cables to the side support tubes to avoid tripping hazards.

4 Protecting the environment

Disposal of the packaging material



For the transport and protective packaging, environmentally friendly materials have been chosen that can be supplied to normal recycling.

Ensure that plastic bags, packaging, etc. are properly disposed of.

Do not just dispose of these materials with your normal household waste, but make sure that they are collected for recycling. Please follow the notes and markings on the packaging.

Disposal of your old device



This product is subject to the European Waste Electrical and Electronic Equipment Directive (WEEE) in its currently valid version. Do not dispose with your normal household waste.

Dispose of this device through an approved waste disposal firm or through your local waste facility. When discarding the device, comply with the rules and regulations that apply in your country. If in doubt, consult your local waste disposal facility.

