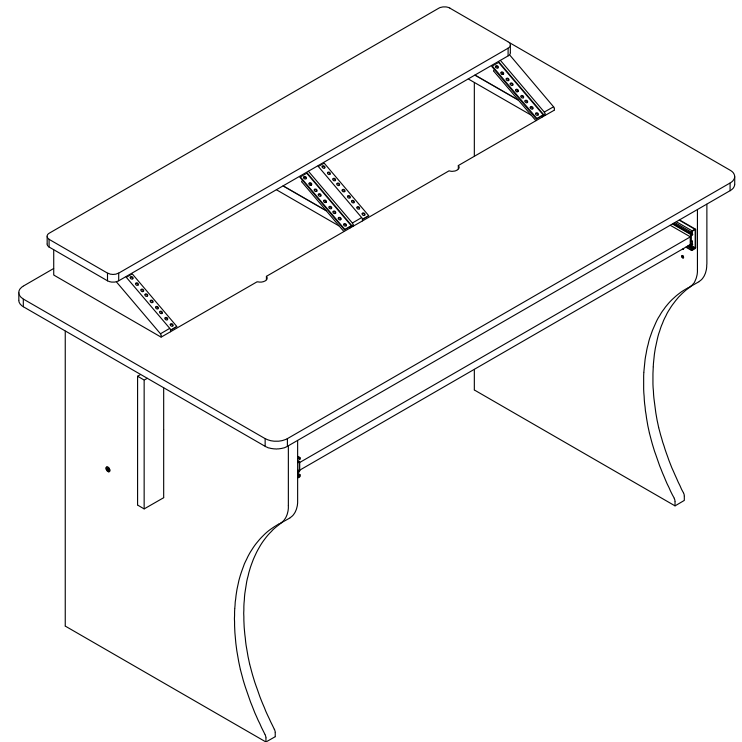
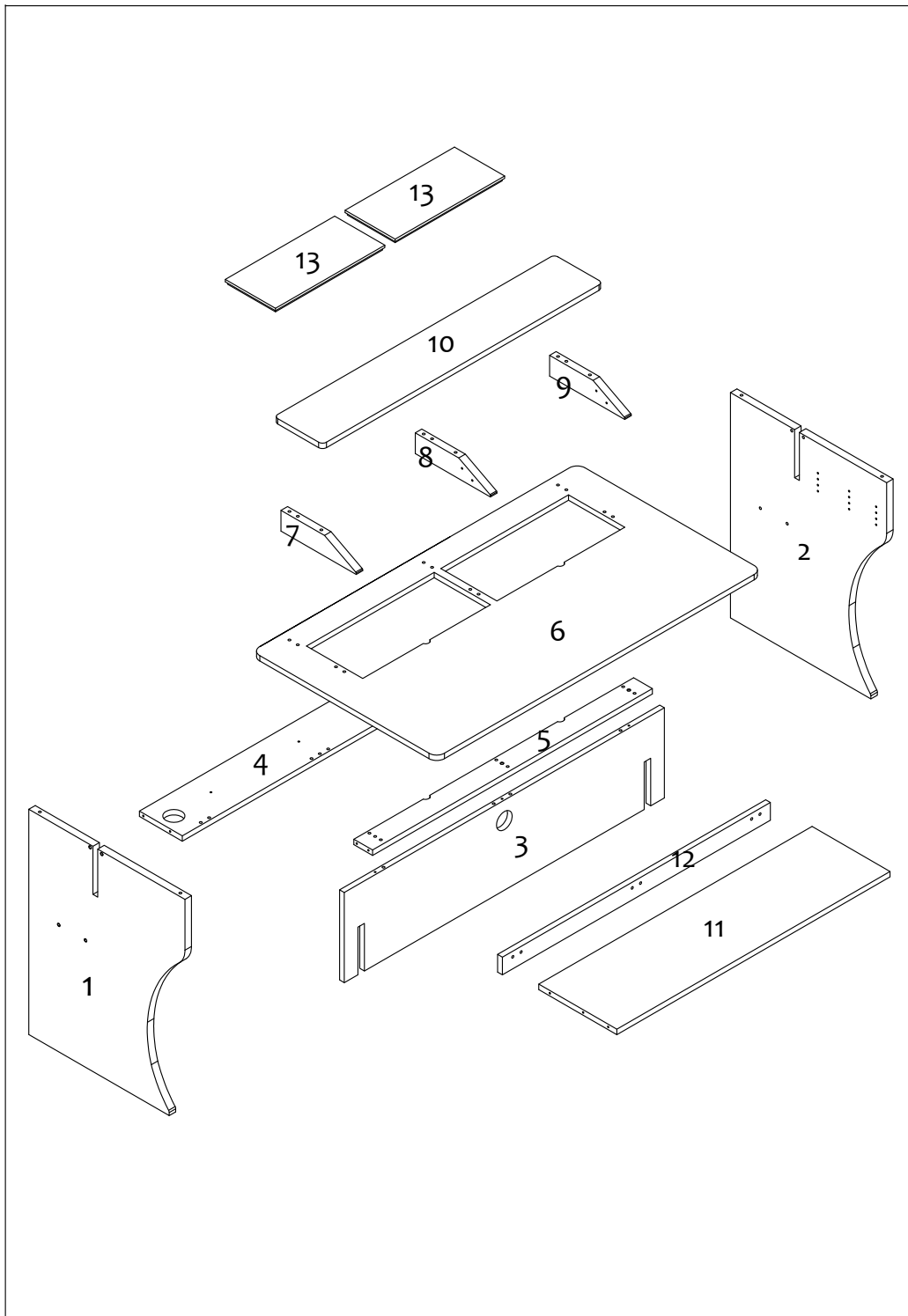


ComboDesk

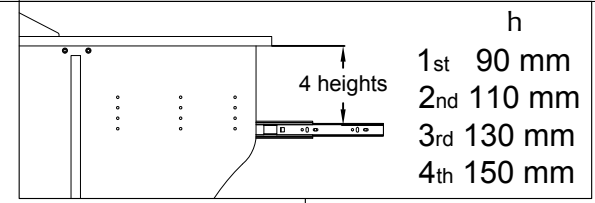


Combo 61 Desk Assembly Manual

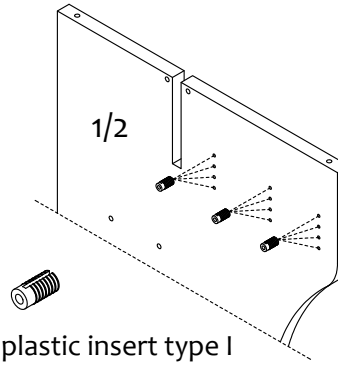


STEP 1

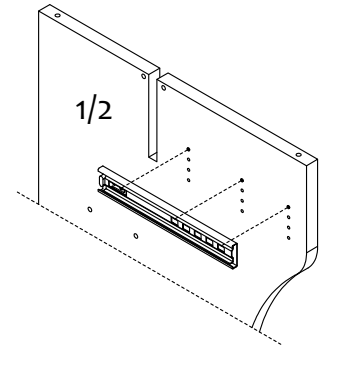
A



B

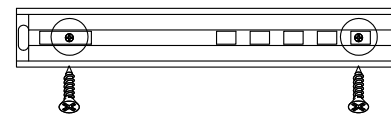
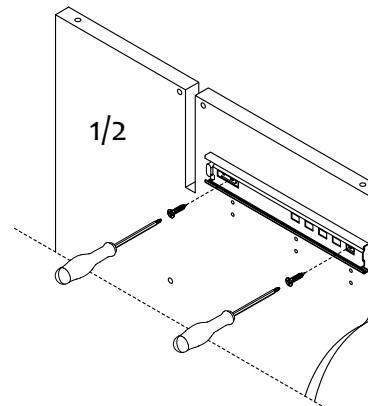


Use plastic insert type I



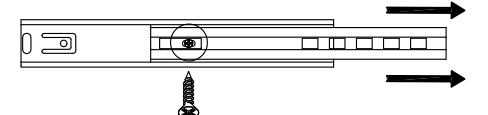
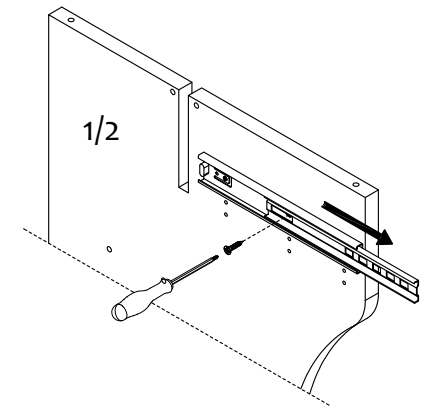
C

Use screws Type S



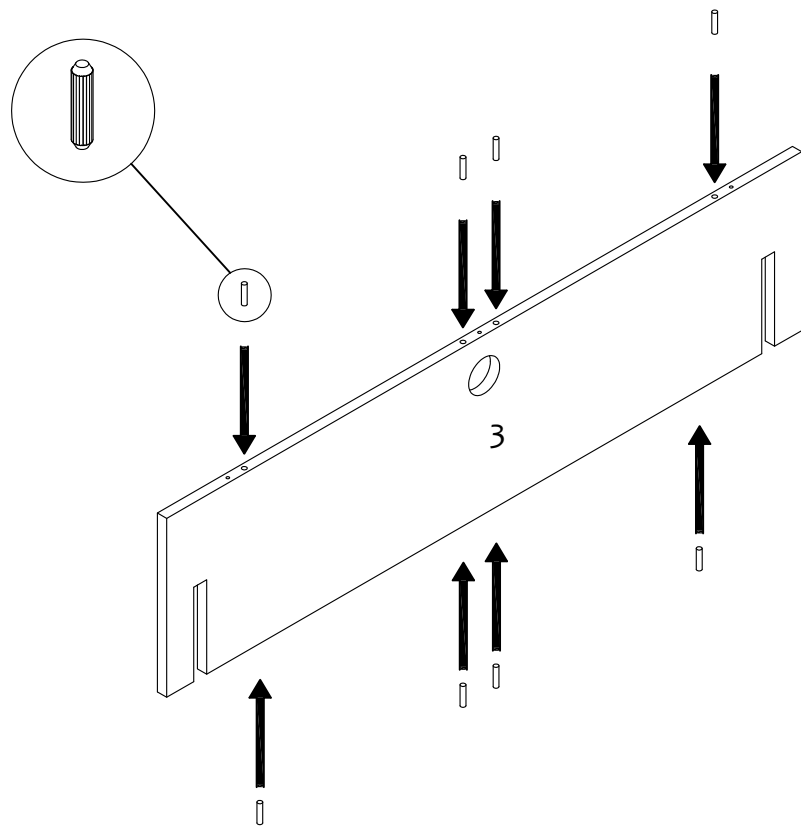
D

Use screws Type S

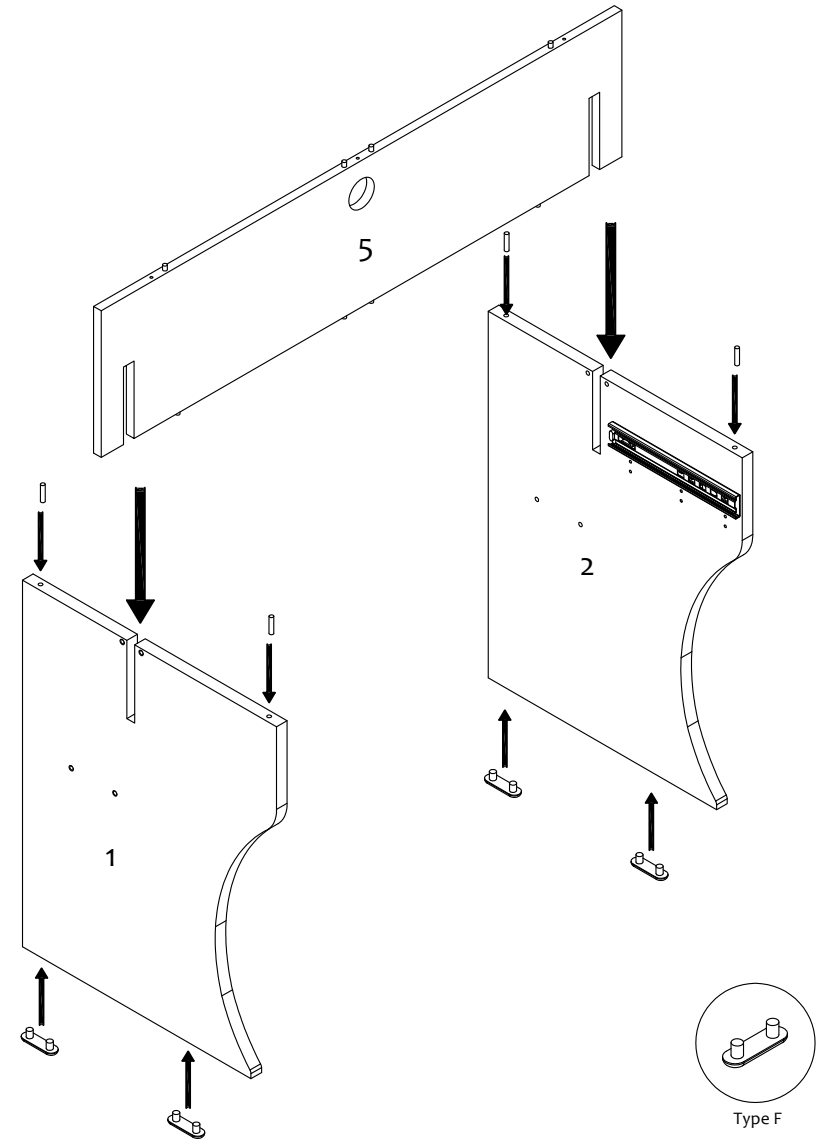


STEP 2

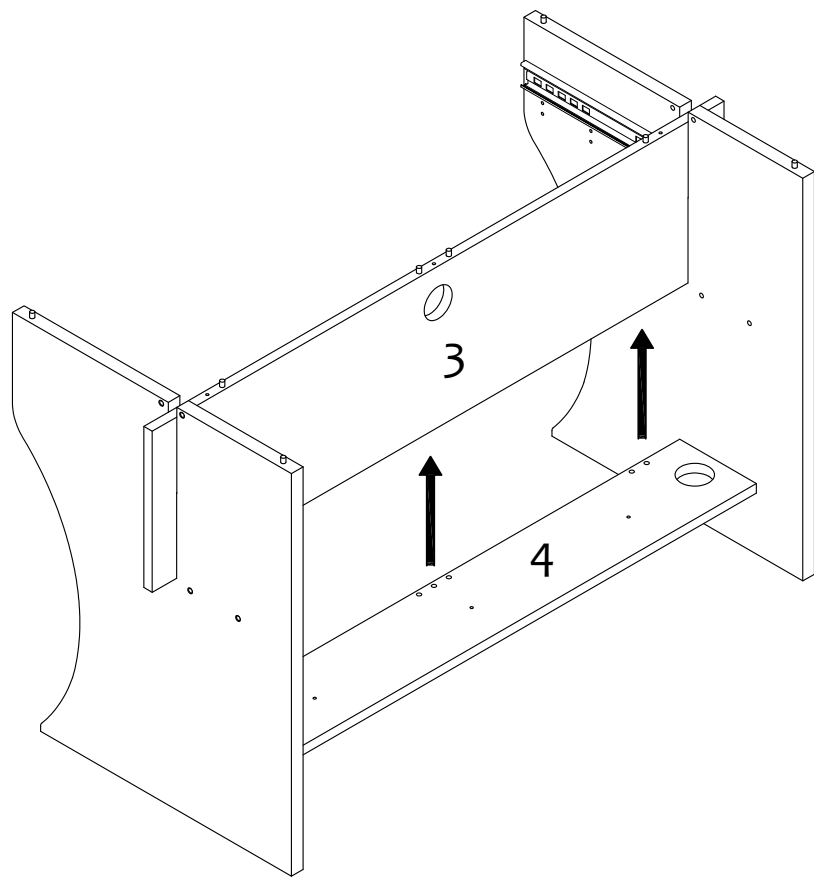
Push wooden dowels type W in the appropriate holes




STEP 3

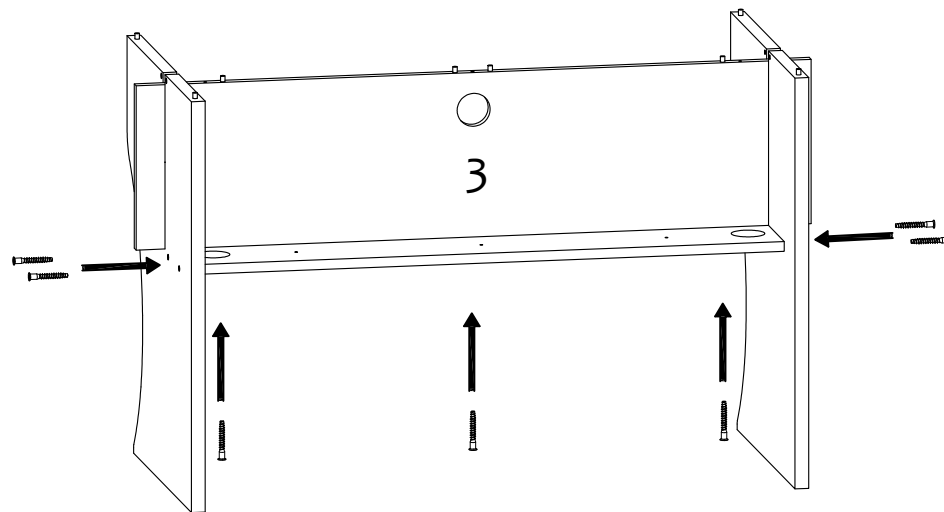


STEP 4

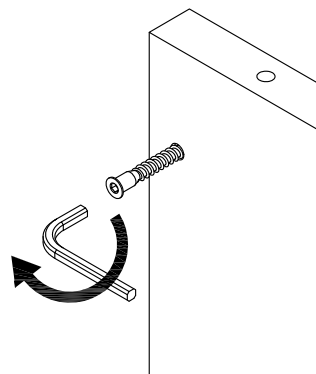


STEP 5

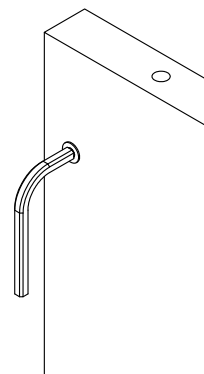
Use screws Type E 



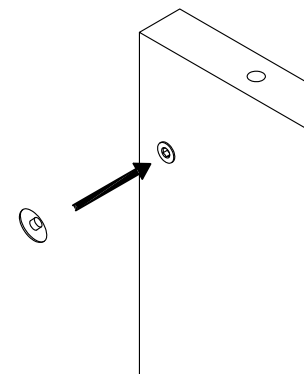
Use hex wrench to screw



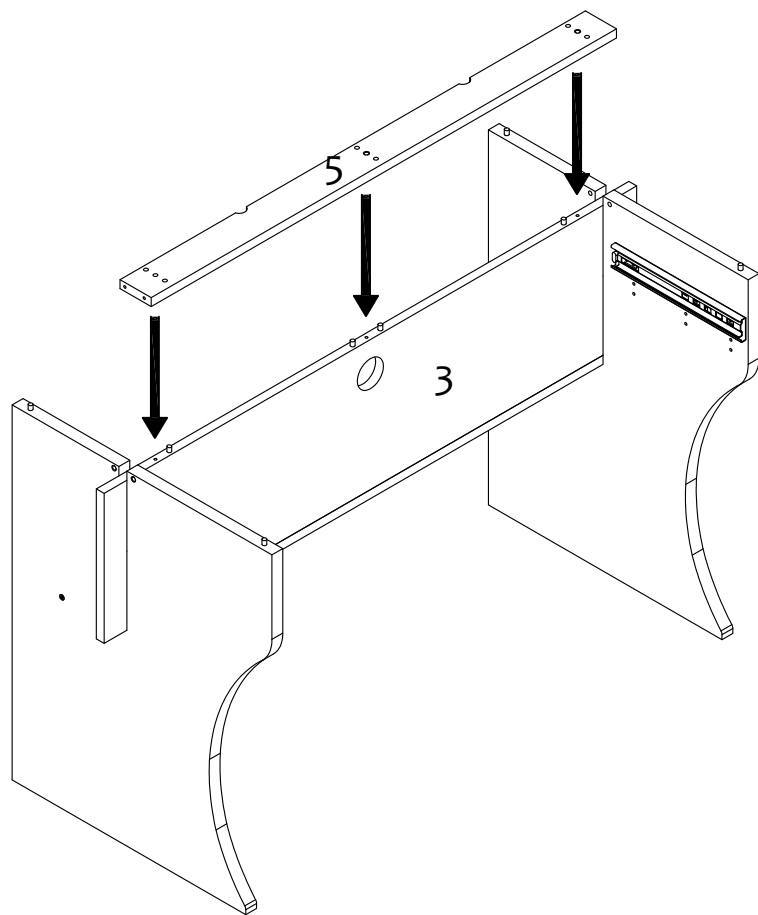
Tighten the screw until it is even with the particle board




Use screws caps

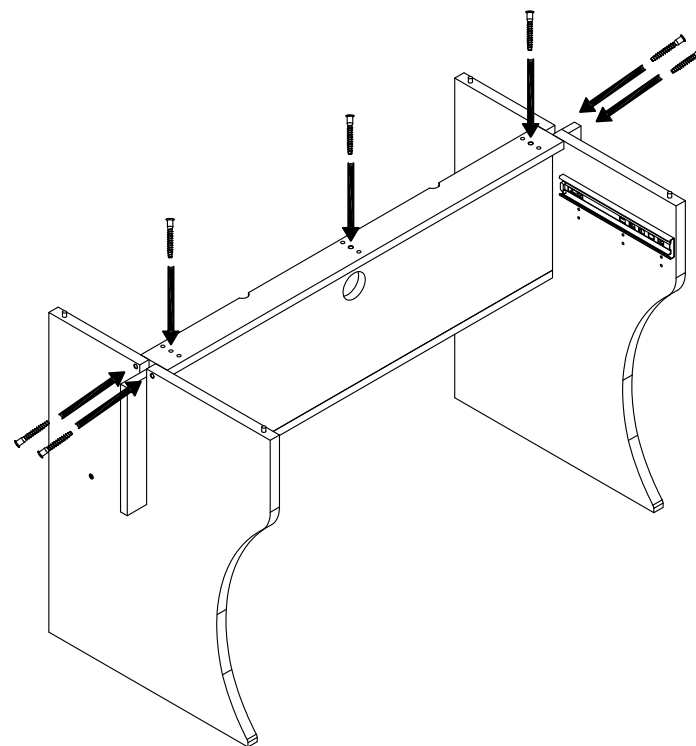


STEP 6

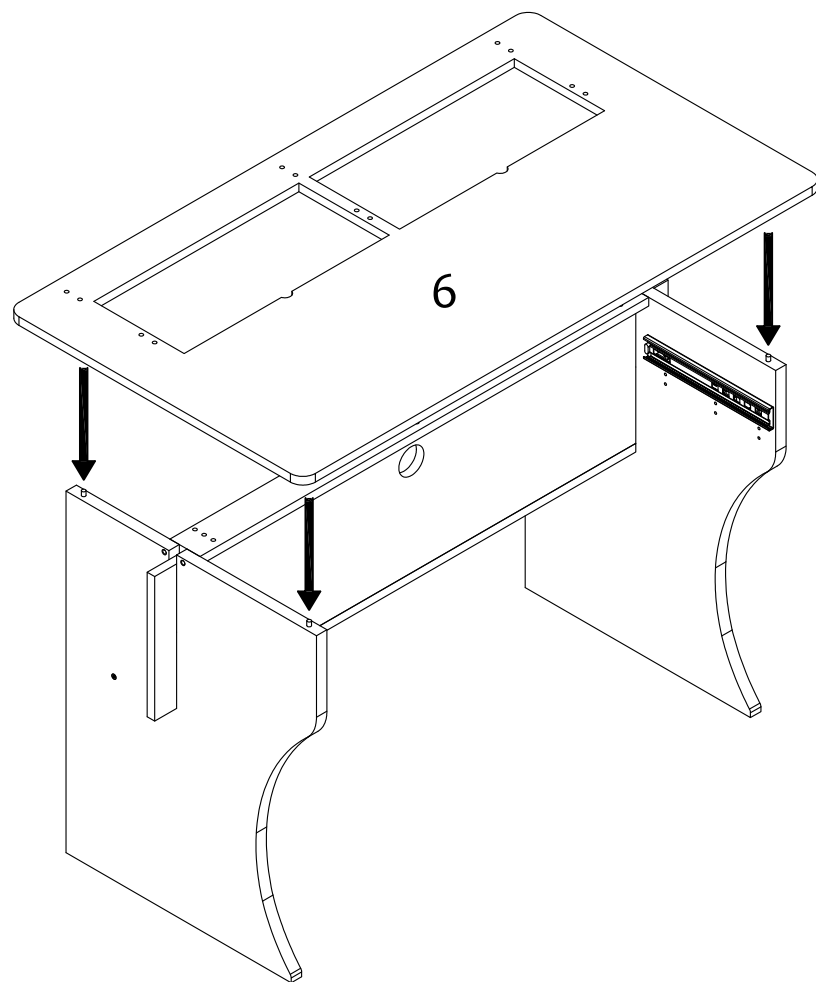


STEP 7

Use screws Type E 

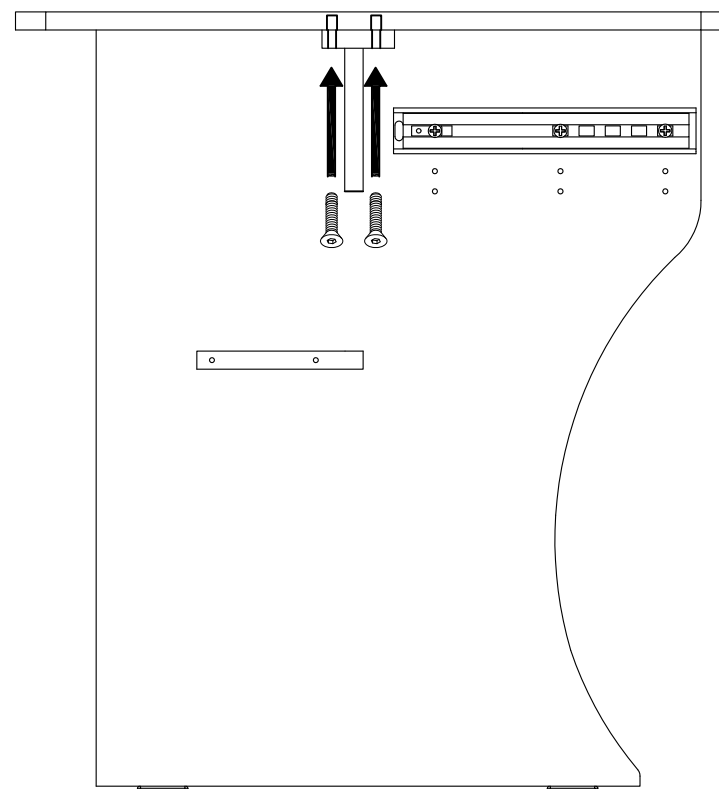


STEP 8

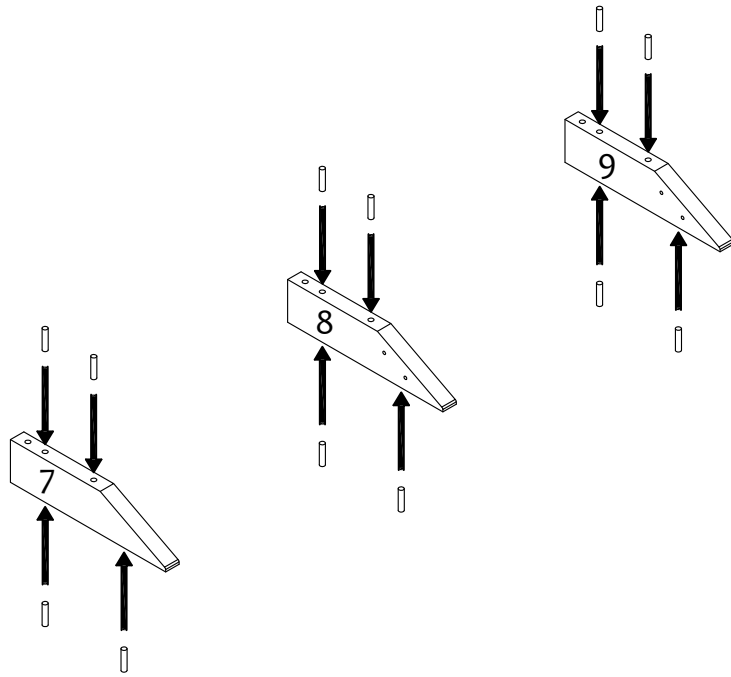


STEP 9

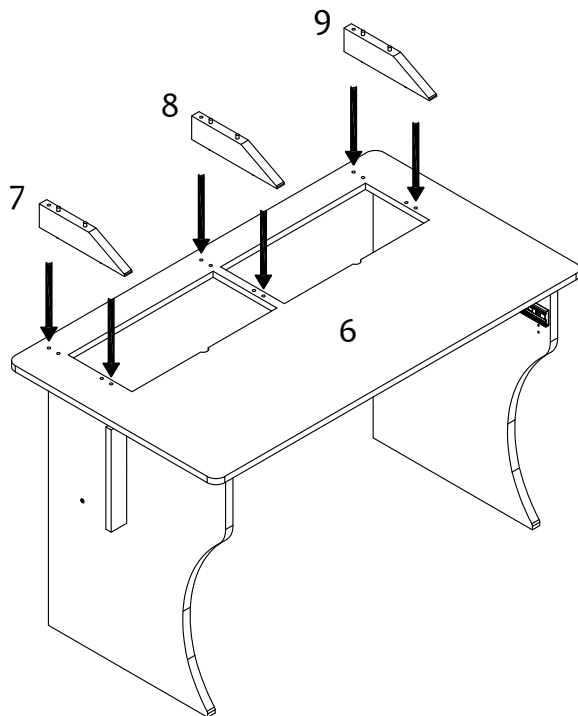
Use screws Type A (x6) 



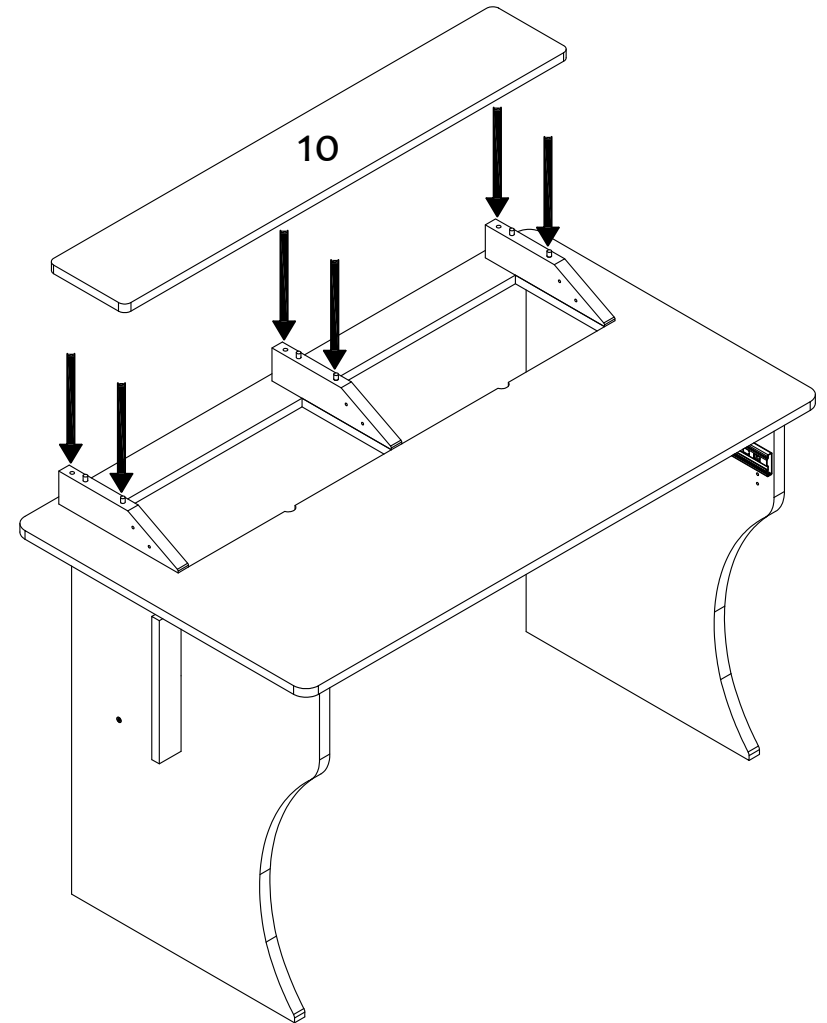
STEP 10



STEP 11



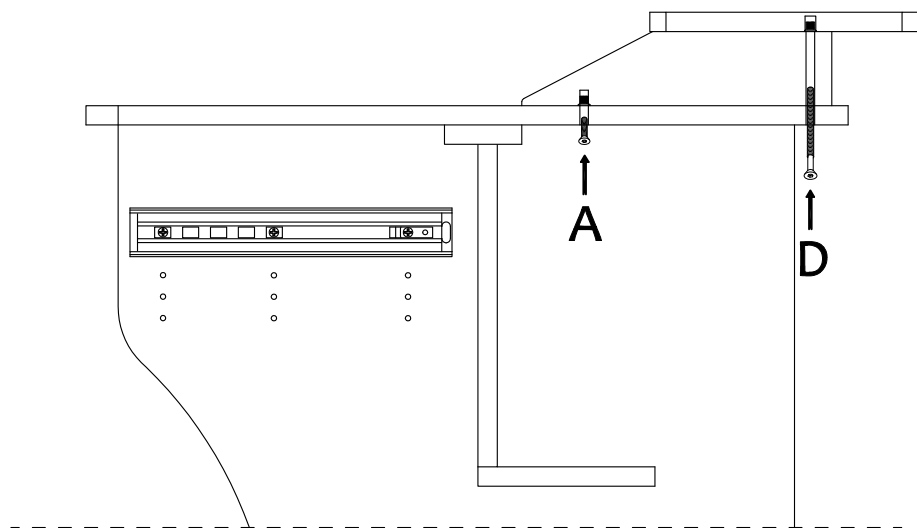
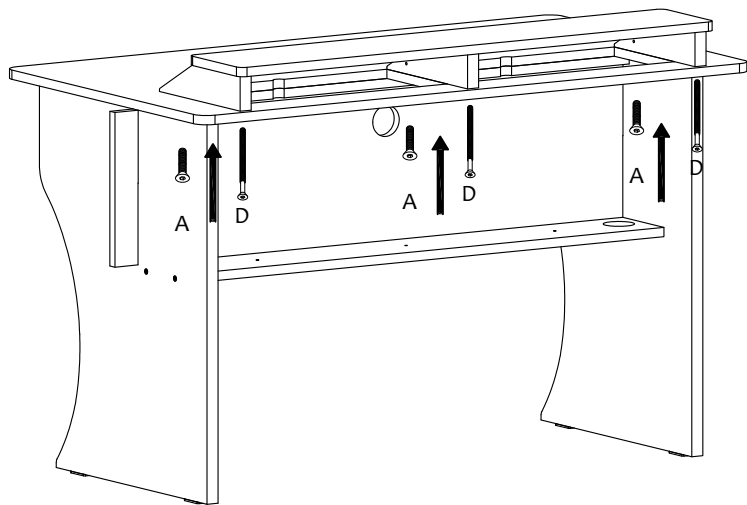
STEP 12



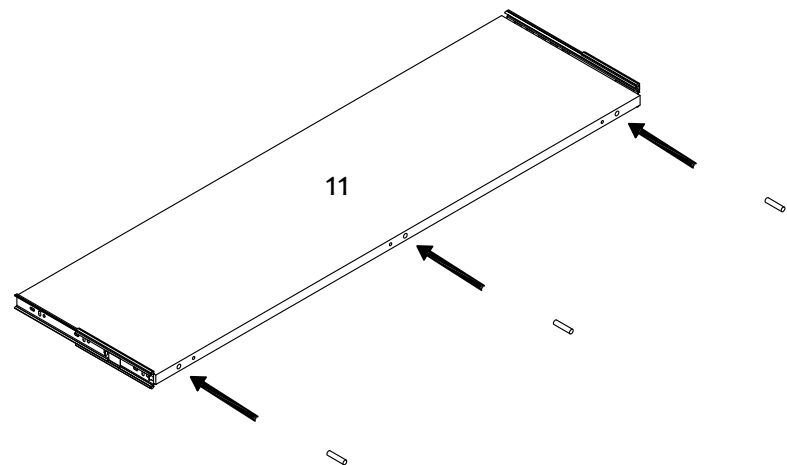
STEP 13

Use screws Type A (x3) 


Use screws Type D (x3) 

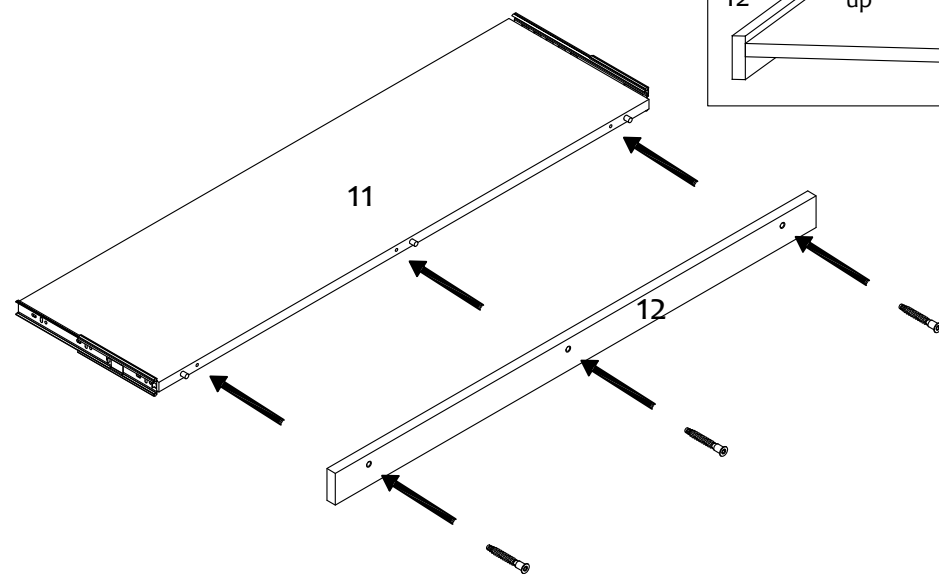


STEP 14

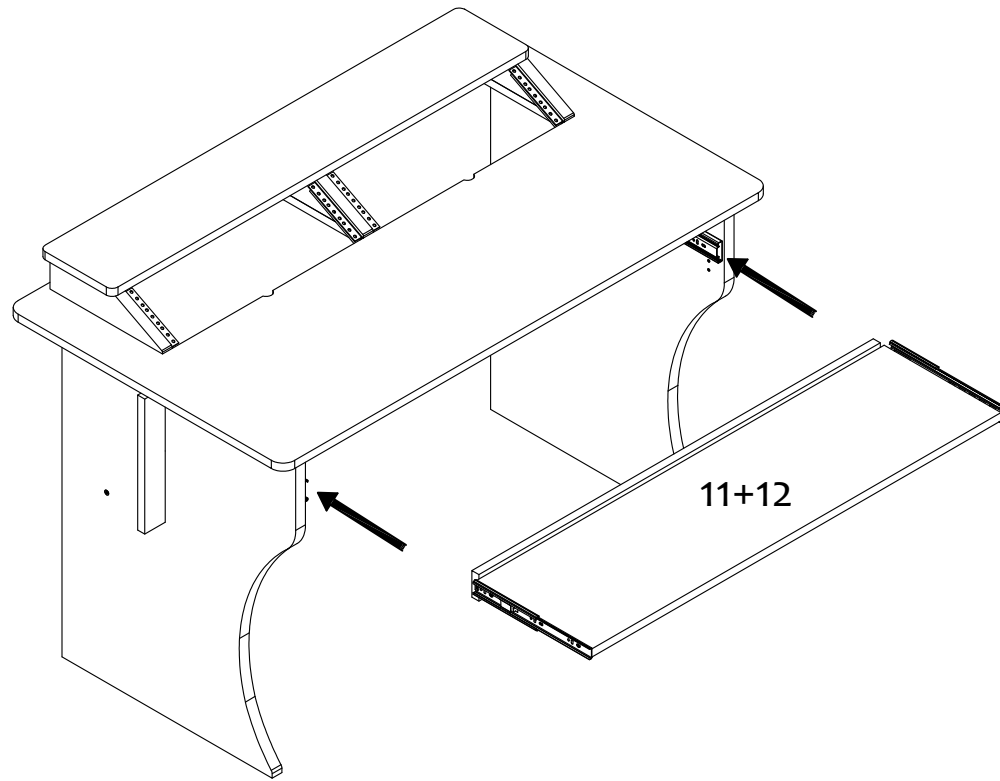


STEP 15

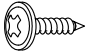
Use screws Type E 

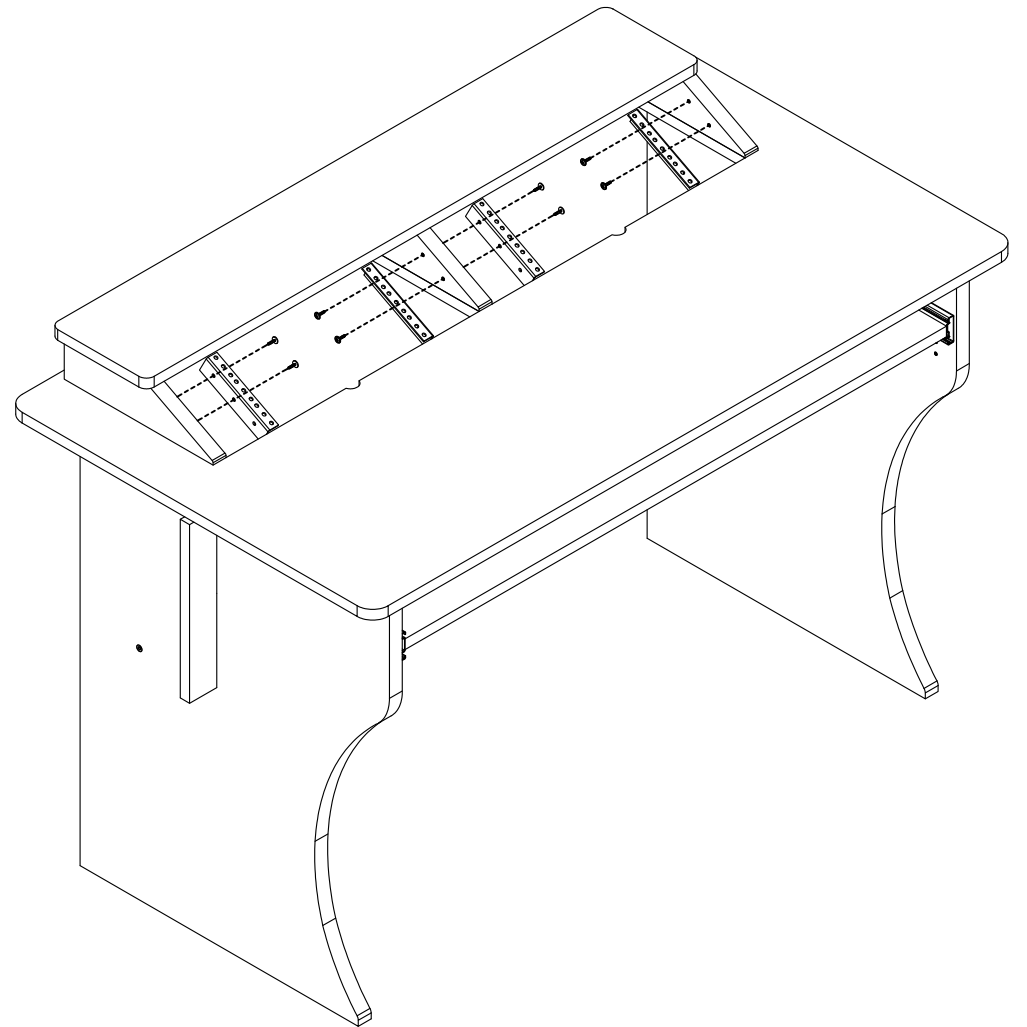


STEP 16

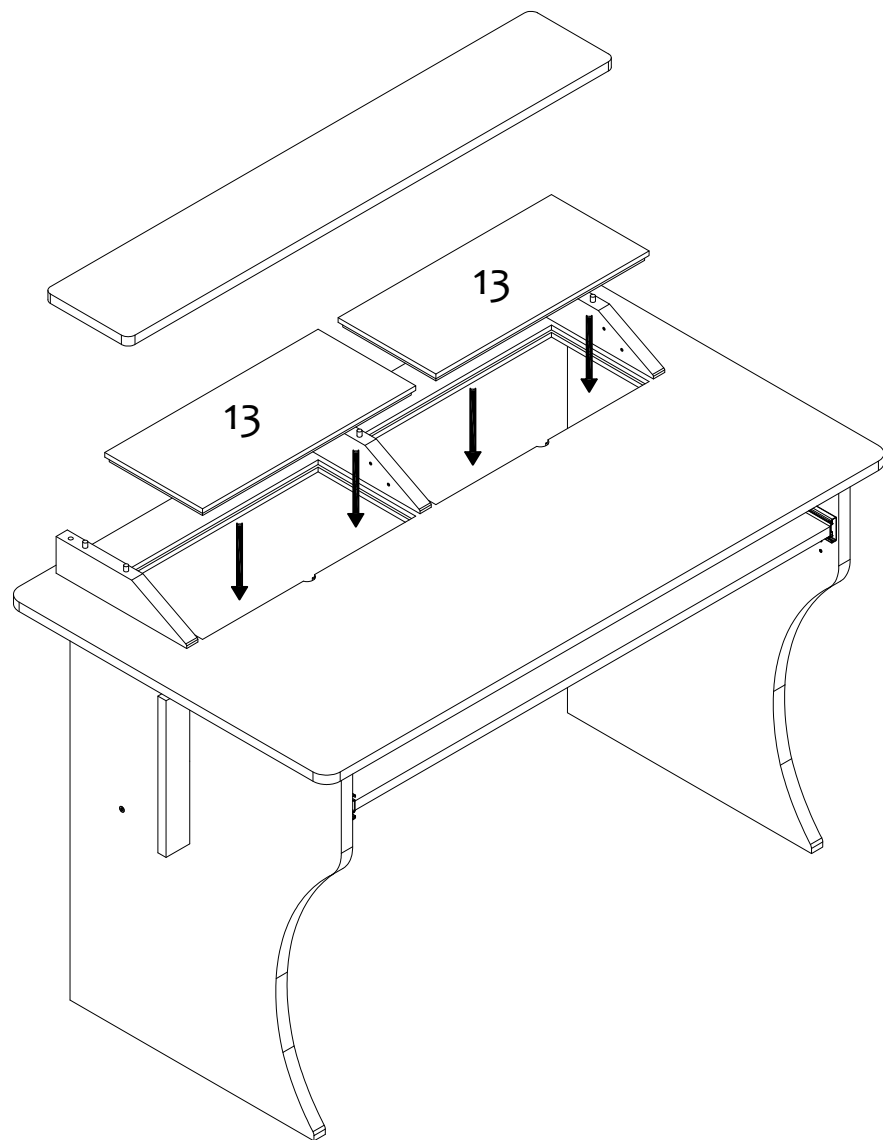


STEP 17

Fix Rack Rail with screws Type RS 



If you don't need the rack units don't fix the rack rails and use the pieces number 13 to close the holes



PACKING LIST:

<p>x27 Type W</p> <p>35 mm</p> <p>Wooden dowels</p>	<p>x17 Type E</p> <p>Euro Screws</p>	<p>x9 Type A</p> <p>m6x30 mm</p>	<p>x3 Type D</p> <p>m6x100 mm</p>
<p>x24 Type I</p> <p>Plastic insert</p>	<p>x4 Type R</p> <p>Rack rail</p>	<p>x8 Type Rs</p> <p>Rack rail screws</p>	<p>x24 Type Ru</p> <p>Rack units screws</p>
<p>x6 Type S</p> <p>3.5x20 mm</p>	<p>x4 Type F</p> <p>Plastic foot</p>	<p>x1 Type H</p> <p>Hex wrench</p>	<p>x2 Type Sl</p> <p>Sliding guides</p>

TOOLS:

